



US00D901361S

(12) **United States Design Patent**
Liu

(10) **Patent No.:** **US D901,361 S**

(45) **Date of Patent:** **** Nov. 10, 2020**

(54) **VEHICLE WHEEL**

(71) Applicant: **CITIC Dicastal Co., Ltd.**,
Qinhuangdao (CN)

(72) Inventor: **Zhichong Liu**, Qinhuangdao (CN)

(73) Assignee: **CITIC Dicastal Co., Ltd.**,
Qinhuangdao (CN)

(**) Term: **15 Years**

(21) Appl. No.: **29/707,491**

(22) Filed: **Sep. 27, 2019**

(30) **Foreign Application Priority Data**

Jun. 17, 2019 (CN) 2019 3 0311954

(51) **LOC (12) Cl.** **12-16**

(52) **U.S. Cl.**
USPC **D12/211**

(58) **Field of Classification Search**
USPC D12/204-213; D21/563
CPC B60B 7/00; B60B 7/02; B60B 7/04; B60B
7/01; B60B 7/06; B60B 3/02; B60B 3/04;
B60B 3/06; B60B 3/10; B60B 1/00;
B60B 1/08; B60B 1/10; B60B 1/12
See application file for complete search history.

(56) **References Cited**

U.S. PATENT DOCUMENTS

D506,967 S * 7/2005 Kamimura D12/211
D507,224 S * 7/2005 Pfeiffer D12/211

D513,489 S * 1/2006 Momokawa D12/211
D521,922 S * 5/2006 Scheu D12/211
D623,999 S * 9/2010 Holstein D12/211
D641,680 S * 7/2011 Laengerer D12/211
D663,673 S * 7/2012 Platto D12/211
D666,548 S * 9/2012 Antoniadis D12/211
D720,275 S * 12/2014 Szavits D12/211
D725,573 S * 3/2015 Mahoney D12/211
D754,583 S * 4/2016 Valencia Pollex D12/211
D763,162 S * 8/2016 Garbas D12/211
D768,554 S * 10/2016 Rueckheim D12/211
D782,951 S * 4/2017 Bjerke D12/209
D845,859 S * 4/2019 Hale, Jr. D12/209
D859,273 S * 9/2019 Anton D12/211

* cited by examiner

Primary Examiner — Stacia A Cadmus

(74) *Attorney, Agent, or Firm* — IPro, PLLC; Qian Gu

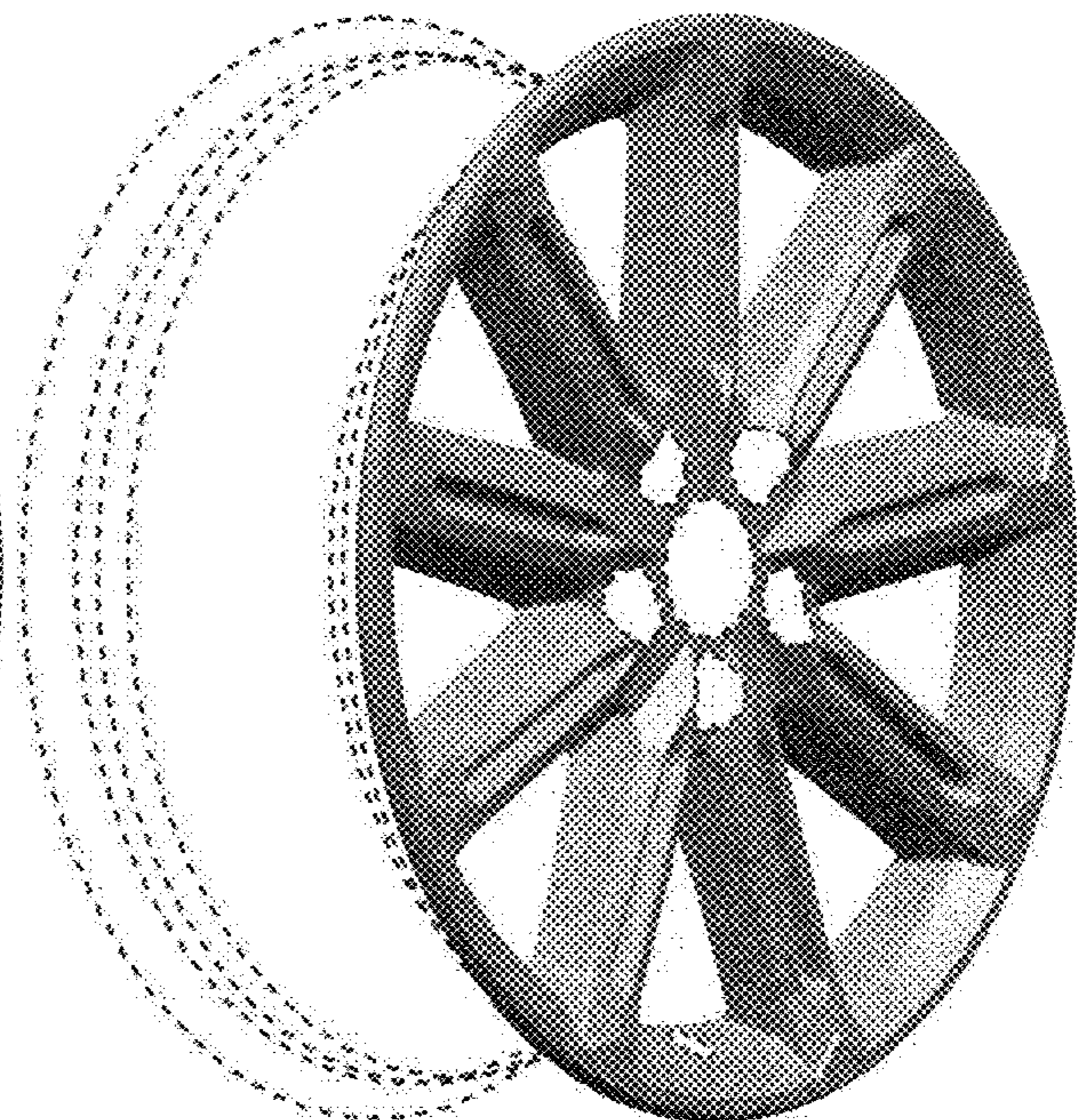
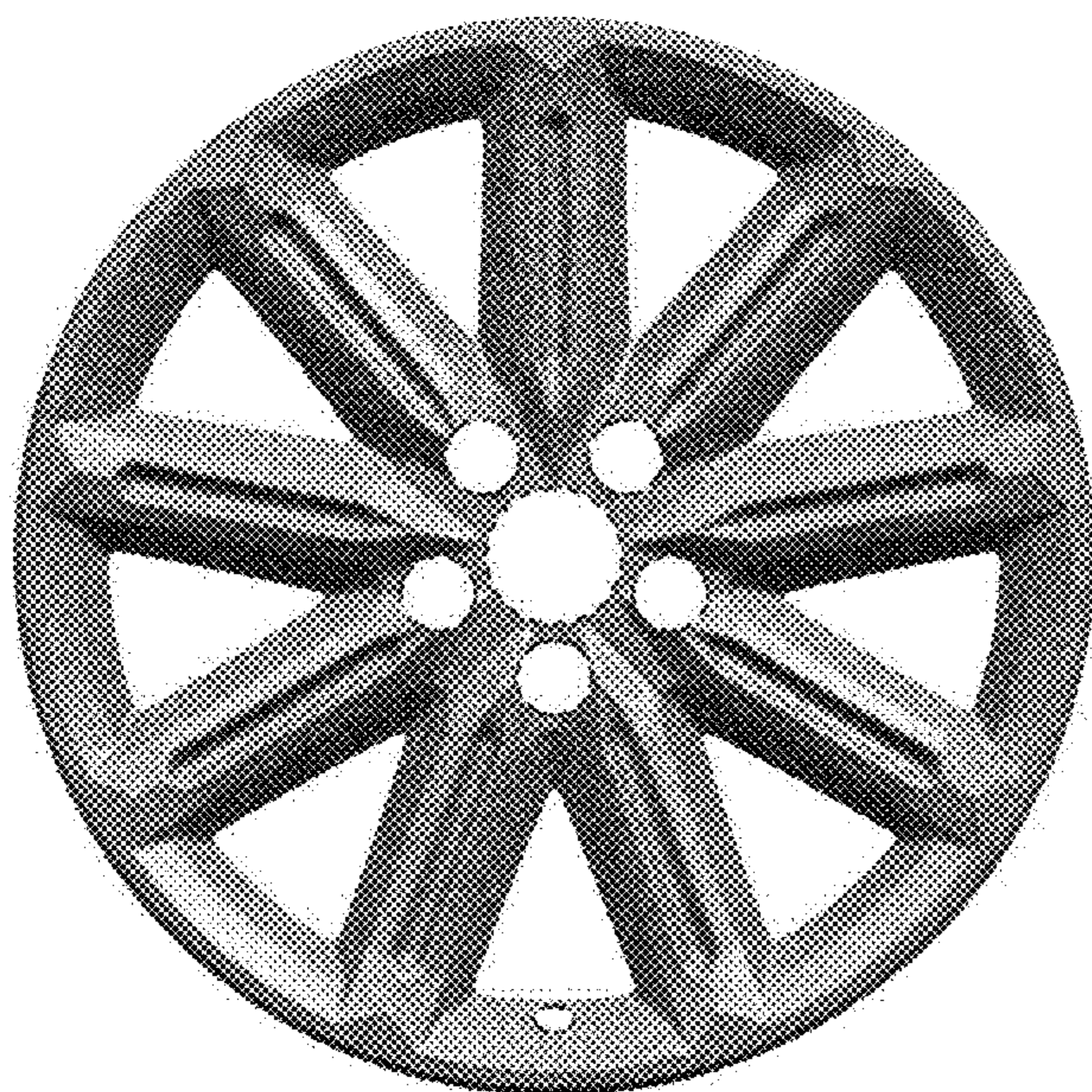
(57) **CLAIM**

The ornamental design for a vehicle wheel, as shown and described.

DESCRIPTION

FIG. 1 is a front view of a vehicle wheel.
FIG. 2 is a perspective view of the vehicle wheel; and,
FIG. 3 is a left side view of the vehicle wheel.
The broken line showing of the rear of the rim, the valve stem hole, the bolt holes and the center hole in the central hub area is included for the purpose of illustrating environment and forms no part of the claimed design.

1 Claim, 3 Drawing Sheets



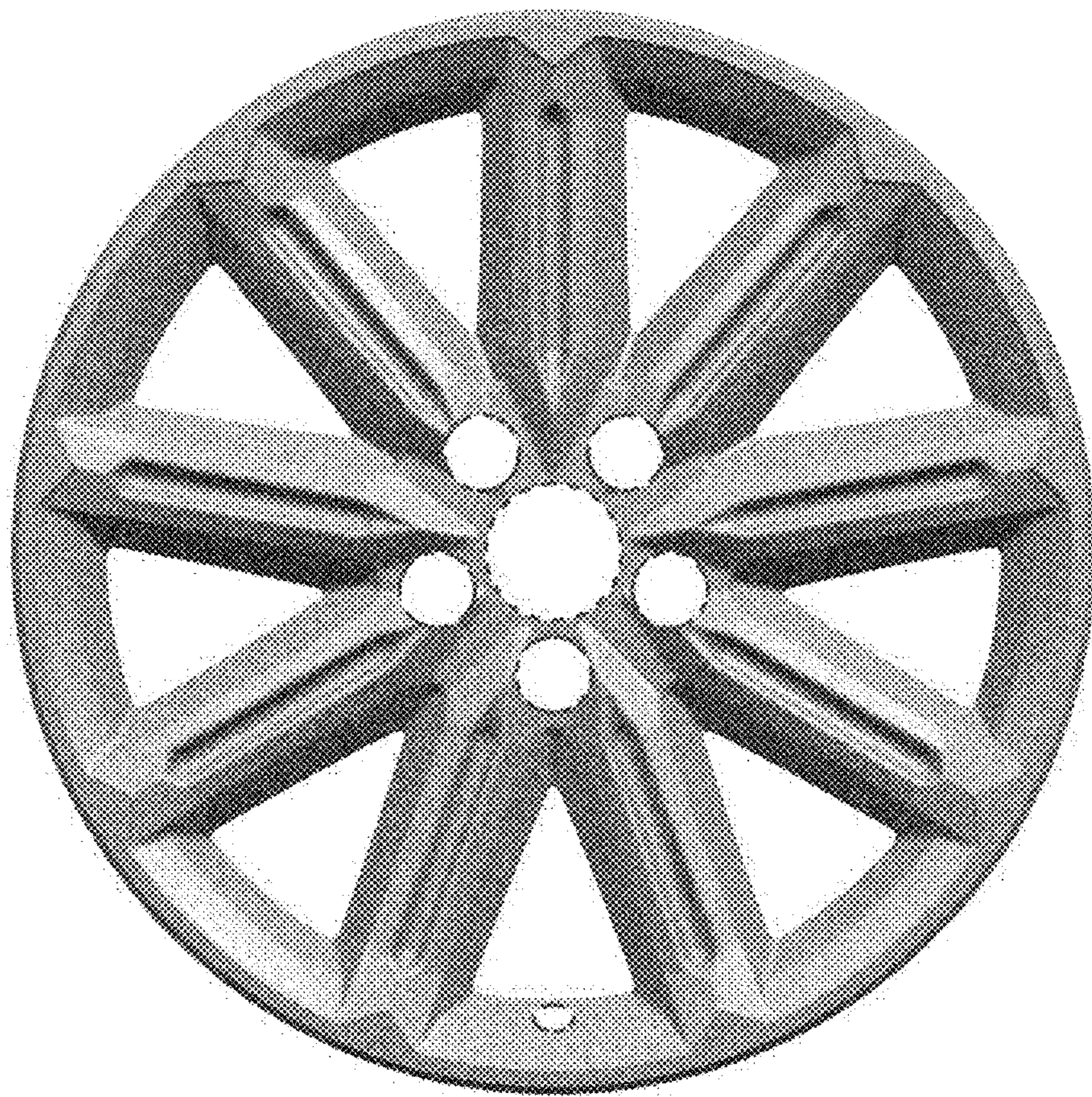


FIG. 1

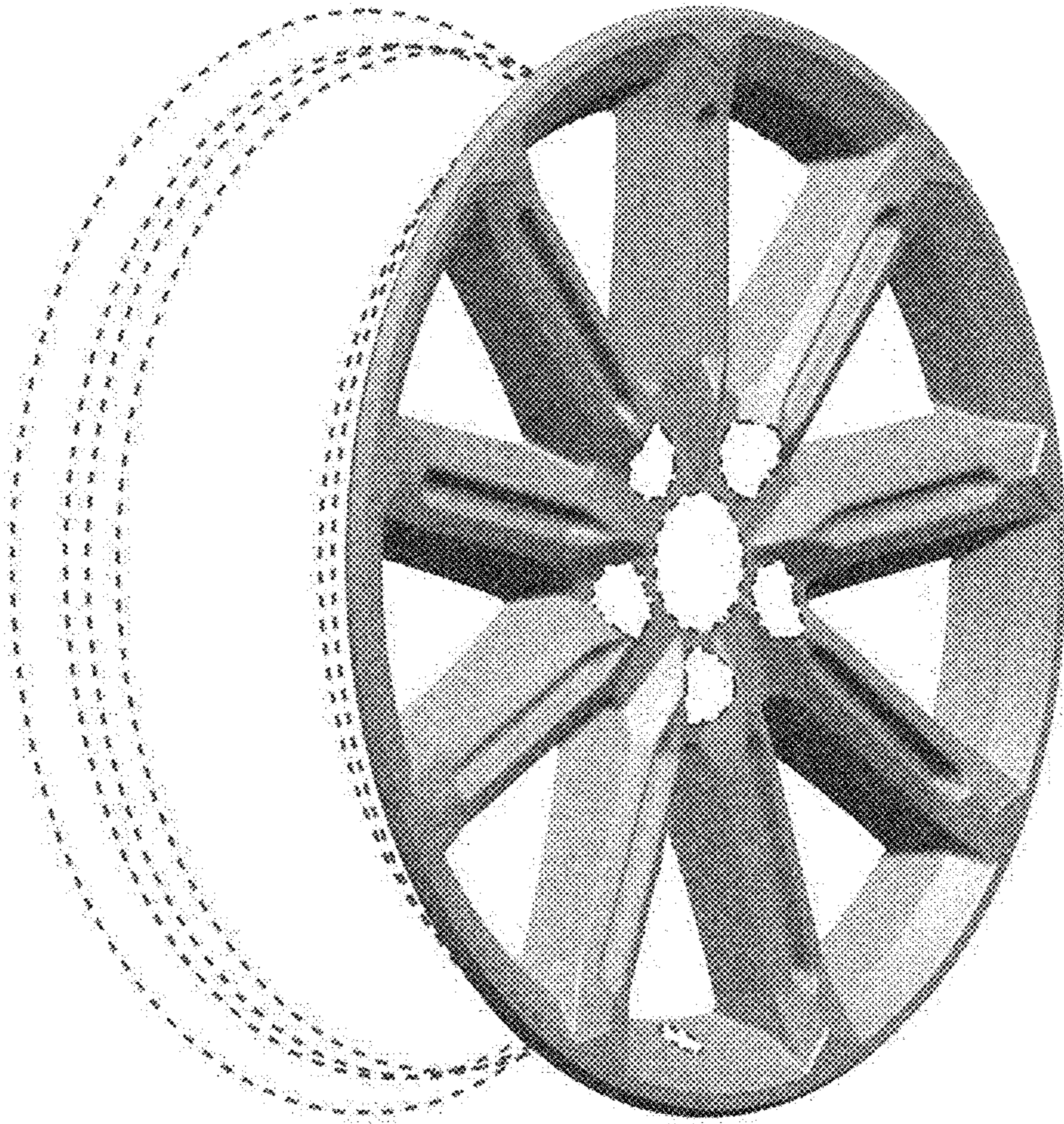


FIG. 2

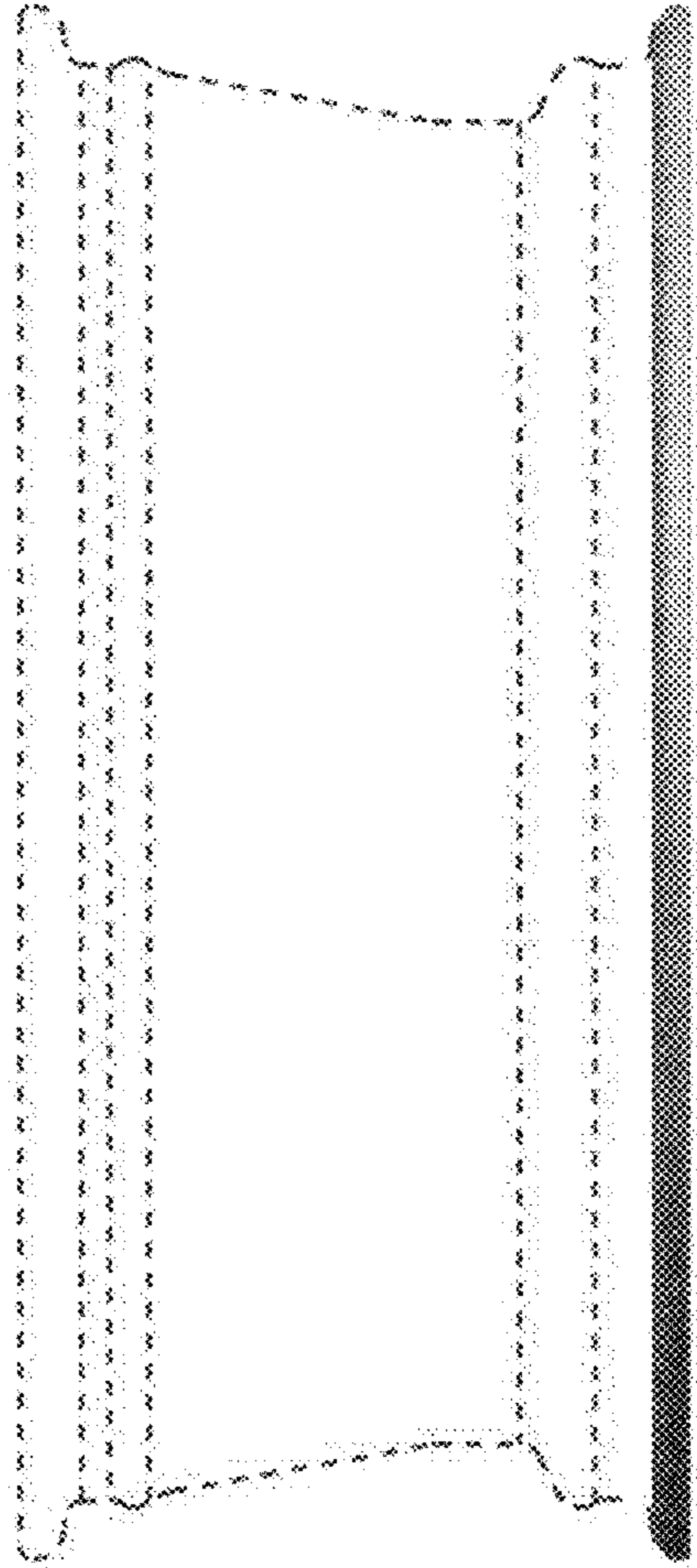


FIG. 3