



US00D901359S

(12) **United States Design Patent**  
**Liu**

(10) **Patent No.:** **US D901,359 S**

(45) **Date of Patent:** **\*\* Nov. 10, 2020**

(54) **VEHICLE WHEEL**

(71) Applicant: **CITIC Dicastal Co., Ltd.**,  
Qinhuangdao (CN)

(72) Inventor: **Zhichong Liu**, Qinhuangdao (CN)

(73) Assignee: **CITIC Dicastal Co., Ltd.**,  
Qinhuangdao (CN)

(\*\*) Term: **15 Years**

(21) Appl. No.: **29/707,546**

(22) Filed: **Sep. 29, 2019**

(30) **Foreign Application Priority Data**

Jun. 17, 2019 (CN) ..... 2019 3 0312191

(51) **LOC (12) Cl.** ..... **12-16**

(52) **U.S. Cl.**  
USPC ..... **D12/209**

(58) **Field of Classification Search**  
USPC ..... D12/204-213; D21/563  
CPC .... B60B 7/00; B60B 7/02; B60B 7/04; B60B  
7/01; B60B 7/06; B60B 3/02; B60B 3/04;  
B60B 3/06; B60B 3/10; B60B 1/00;  
B60B 1/08; B60B 1/10; B60B 1/12  
See application file for complete search history.

(56) **References Cited**

**U.S. PATENT DOCUMENTS**

D508,007 S	*	8/2005	Koch	.....	D12/211
D513,489 S	*	1/2006	Momokawa	.....	D12/211
D552,524 S	*	10/2007	Tirado	.....	D12/209
D597,920 S	*	8/2009	Idei	.....	D12/211
D623,111 S	*	9/2010	Spoerle	.....	D12/211

D633,840 S	*	3/2011	Johnson	.....	D12/209
D656,445 S	*	3/2012	Lee	.....	D12/209
D707,609 S	*	6/2014	Curtis	.....	D12/211
D720,275 S	*	12/2014	Szavits	.....	D12/211
D725,573 S	*	3/2015	Mahoney	.....	D12/211
D726,618 S	*	4/2015	Dingle	.....	D12/209
D726,624 S	*	4/2015	Chung	.....	D12/211
D754,583 S	*	4/2016	Valencia Pollex	.....	D12/211
D763,162 S	*	8/2016	Garbas	.....	D12/211
D768,554 S	*	10/2016	Rueckheim	.....	D12/211
D782,951 S	*	4/2017	Bjerke	.....	D12/209
D797,636 S	*	9/2017	Chung	.....	D12/211
D798,787 S	*	10/2017	Song	.....	D12/211
D805,993 S	*	12/2017	Sempek	.....	D12/211
D828,802 S	*	9/2018	McMath	.....	D12/211
D845,859 S	*	4/2019	Hale, Jr.	.....	D12/209
D859,273 S	*	9/2019	Anton	.....	D12/211
D860,096 S	*	9/2019	Milani	.....	D12/209
D860,903 S	*	9/2019	Lu	.....	D12/209
D877,017 S	*	3/2020	Baum	.....	D12/209
D885,285 S	*	5/2020	Bernoni	.....	D12/209

\* cited by examiner

*Primary Examiner* — Stacia A Cadmus

(74) *Attorney, Agent, or Firm* — IPro, PLLC; Qian Gu

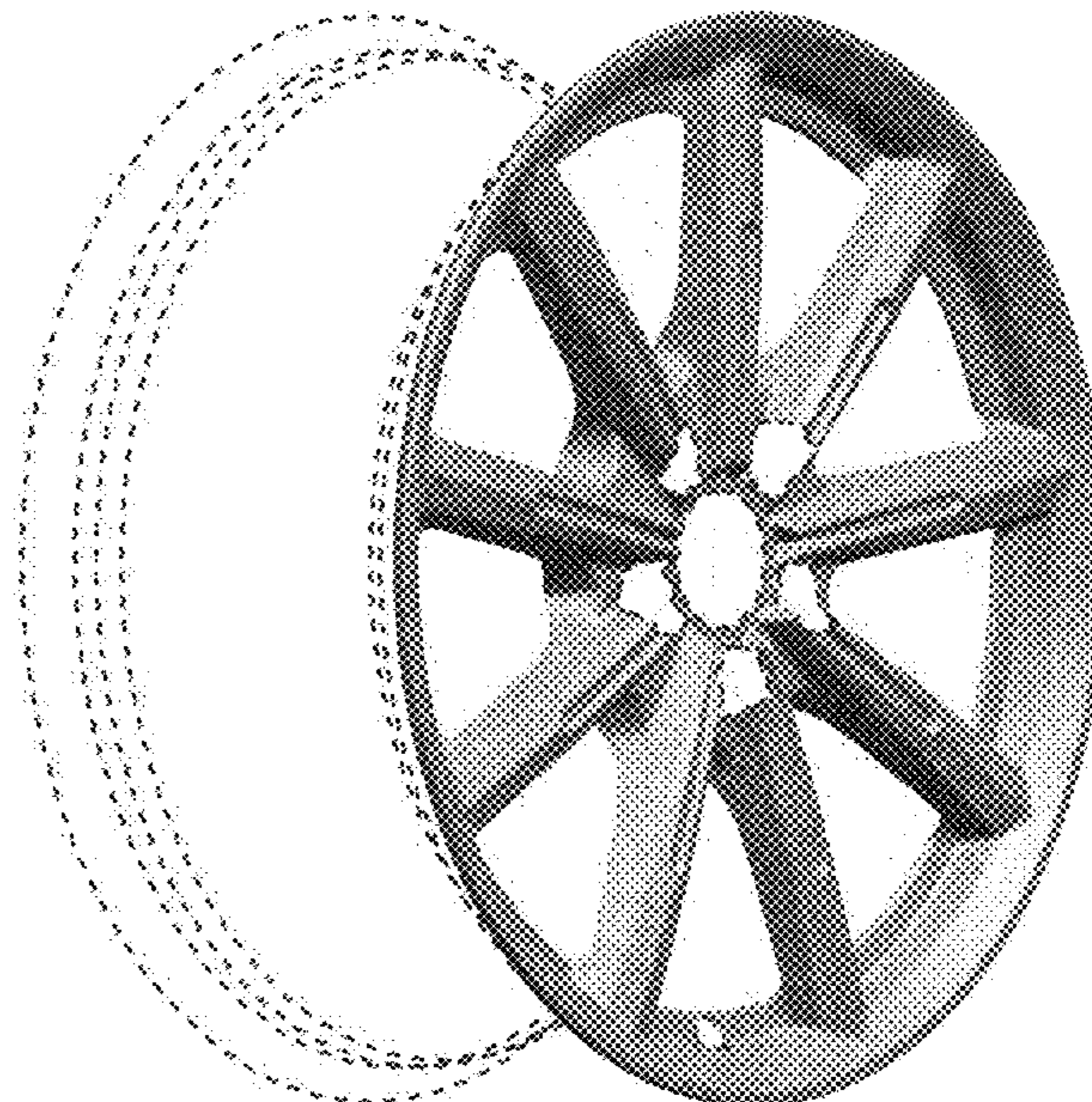
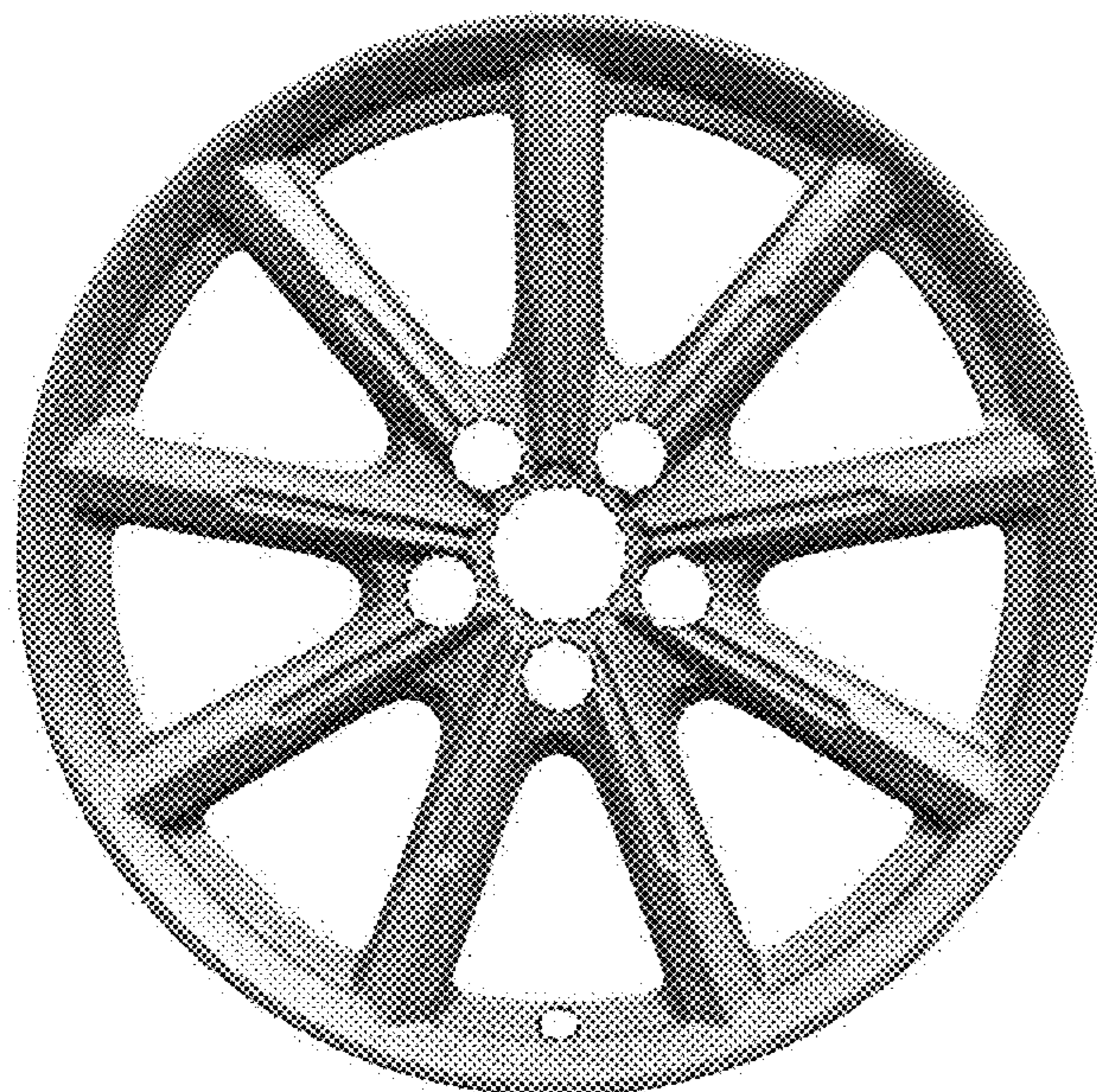
(57) **CLAIM**

The ornamental design for a vehicle wheel, as shown and described.

**DESCRIPTION**

FIG. 1 is a front view of a vehicle wheel. FIG. 2 is a perspective view of the vehicle wheel; and, FIG. 3 is a left side view of the vehicle wheel. The broken line showing of the rear of the rim, the valve stem hole, the bolt holes and the center hole in the central hub area is included for the purpose of illustrating environment and forms no part of the claimed design.

**1 Claim, 3 Drawing Sheets**



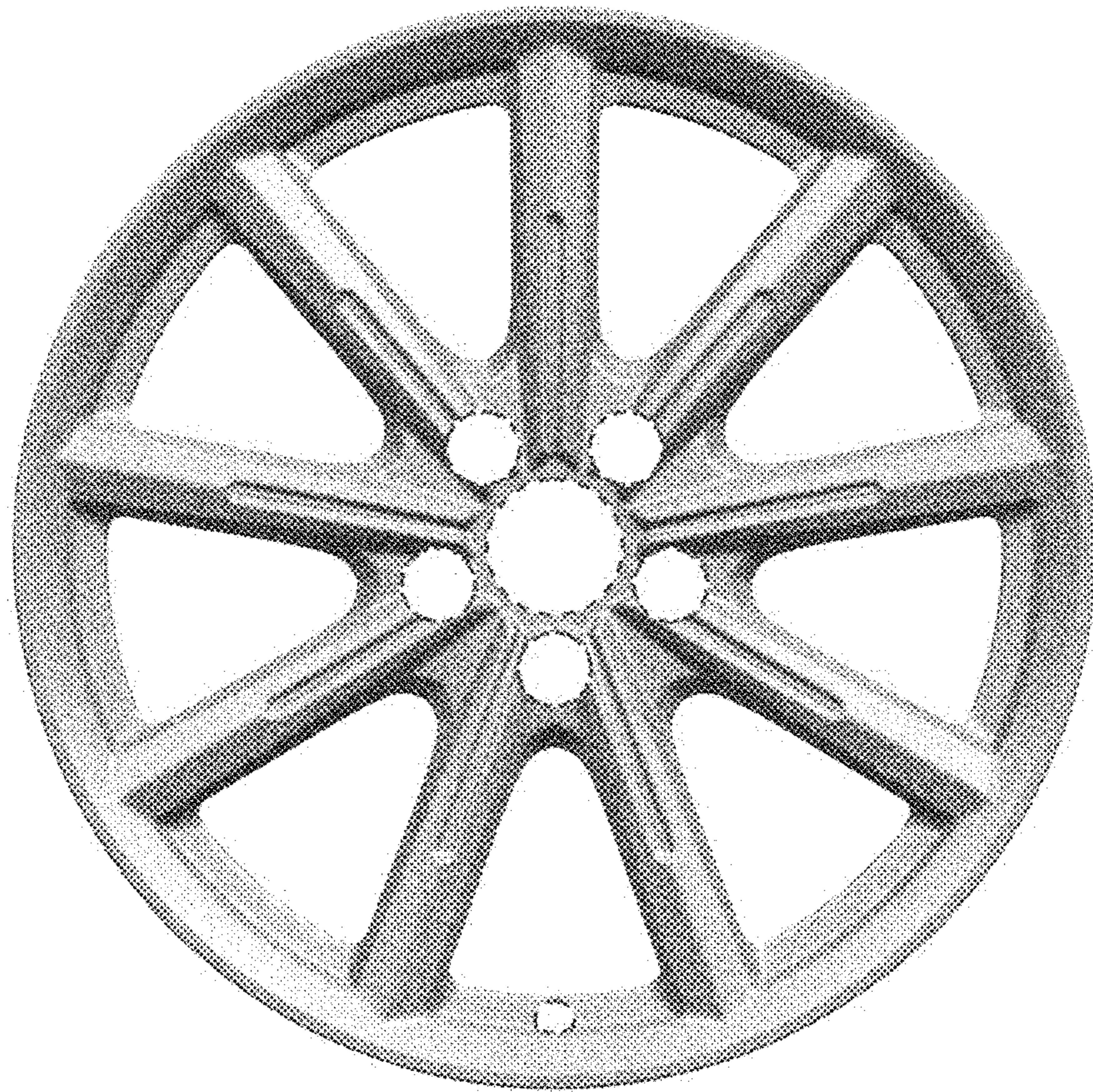


FIG. 1

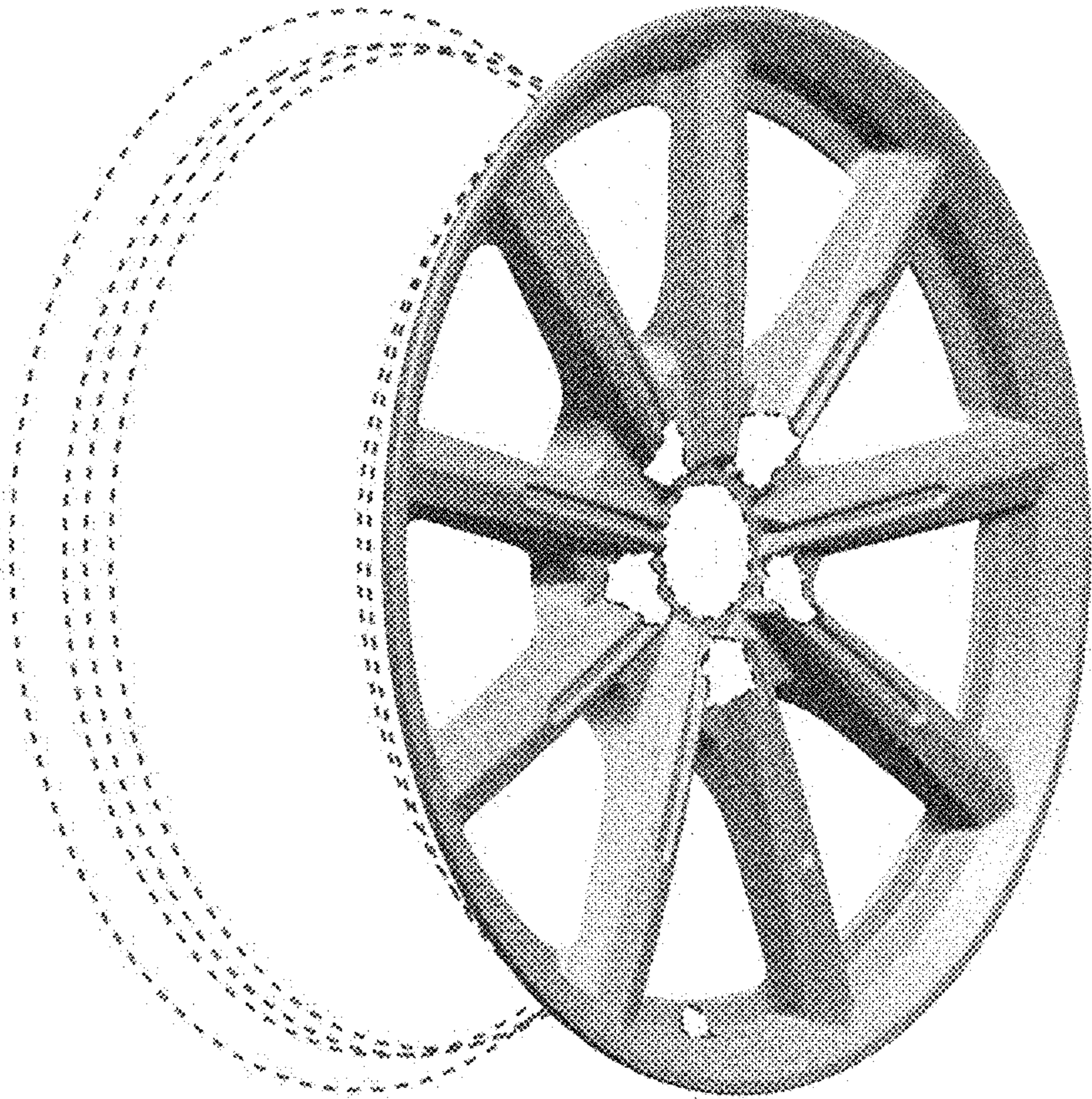


FIG. 2

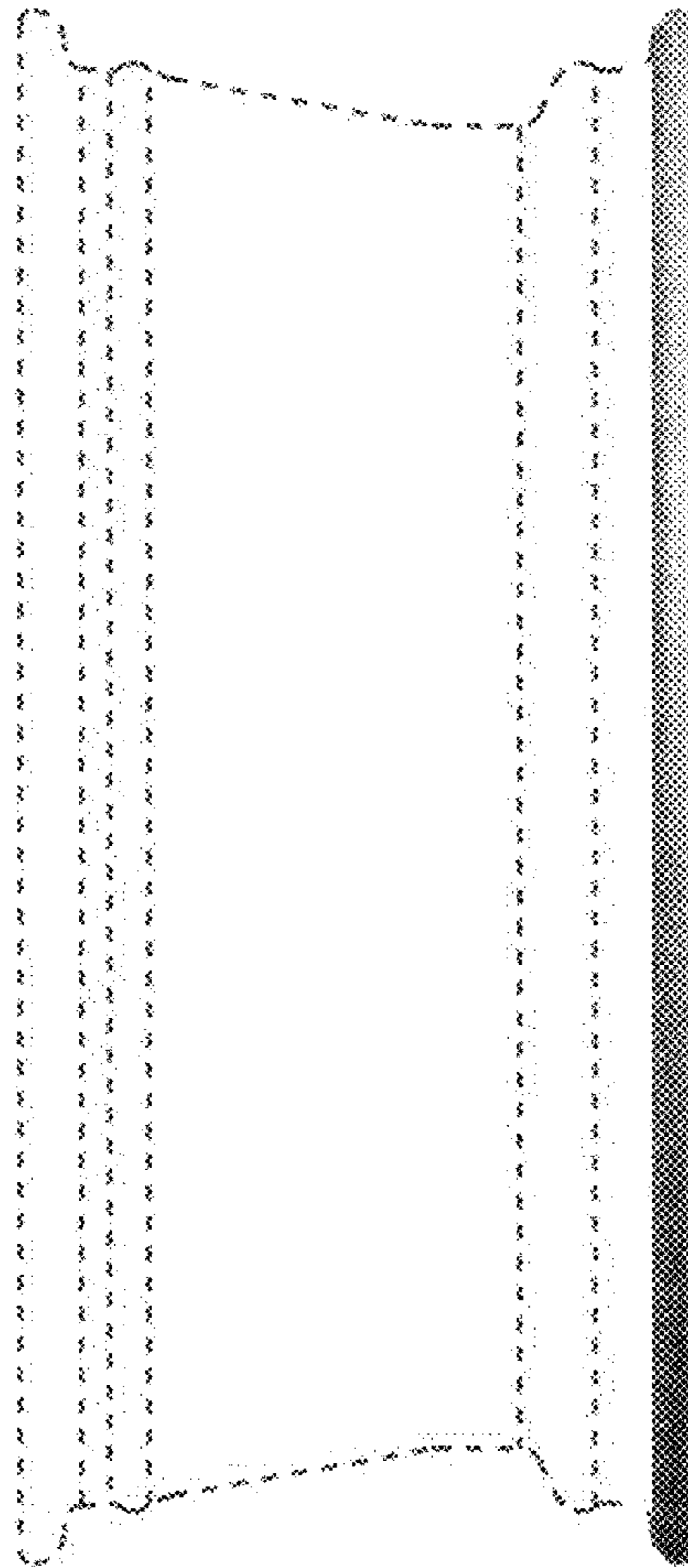


FIG. 3