



US00D901357S

(12) **United States Design Patent**
Rolfs et al.

(10) **Patent No.:** **US D901,357 S**

(45) **Date of Patent:** **** Nov. 10, 2020**

(54) **AUTOMOBILE WHEEL**

(71) Applicants: **Jeremy Rolfs**, Sylvan Lake, MI (US);
Nicholas Vardis, Sylvan Lake, MI (US)

(72) Inventors: **Jeremy Rolfs**, Sylvan Lake, MI (US);
Nicholas Vardis, Sylvan Lake, MI (US)

(73) Assignee: **FCA US LLC**, Auburn Hills, MI (US)

(**) Term: **15 Years**

(21) Appl. No.: **29/694,913**

(22) Filed: **Jun. 14, 2019**

(51) **LOC (12) Cl.** **12-16**

(52) **U.S. Cl.**
USPC **D12/209**

(58) **Field of Classification Search**
USPC D12/204–213; D21/563
CPC B60B 7/00; B60B 7/02; B60B 7/04; B60B
7/01; B60B 7/06; B60B 3/02; B60B 3/04;
B60B 3/06; B60B 3/10; B60B 1/00;
B60B 1/08; B60B 1/10; B60B 1/12
See application file for complete search history.

(56) **References Cited**

U.S. PATENT DOCUMENTS

D609,623 S * 2/2010 Gallert D12/209
D684,912 S * 6/2013 Yamashita D12/209

D706,198 S * 6/2014 Chung D12/211
D714,705 S * 10/2014 Kong D12/211
D714,706 S * 10/2014 Chung D12/211
D783,494 S * 4/2017 Macey D12/209
D789,861 S * 6/2017 Macey D12/209
D800,630 S * 10/2017 Tran D12/209
D801,903 S * 11/2017 Chung D12/211
D811,980 S * 3/2018 Chung D12/211
D812,541 S * 3/2018 Chung D12/211
D824,317 S * 7/2018 Harriton D12/211
D830,266 S * 10/2018 Lickliter D12/209
D849,657 S * 5/2019 Kong D12/211
D860,905 S * 9/2019 Tran D12/209
D864,077 S * 10/2019 Han D12/209

* cited by examiner

Primary Examiner — Stacia A Cadmus

(74) *Attorney, Agent, or Firm* — Ralph E. Smith

(57) **CLAIM**

The ornamental design for an automobile wheel, as shown and described.

DESCRIPTION

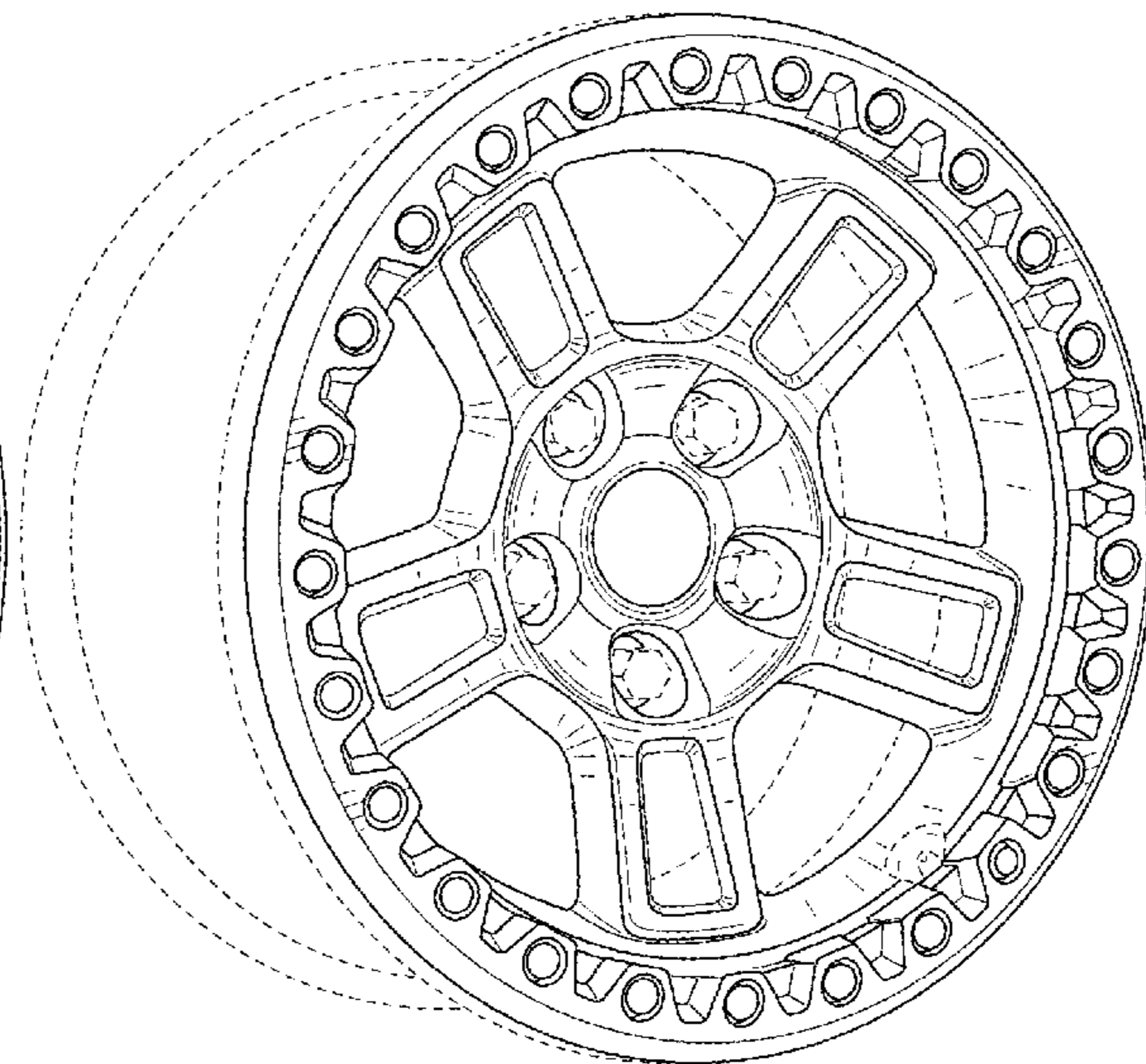
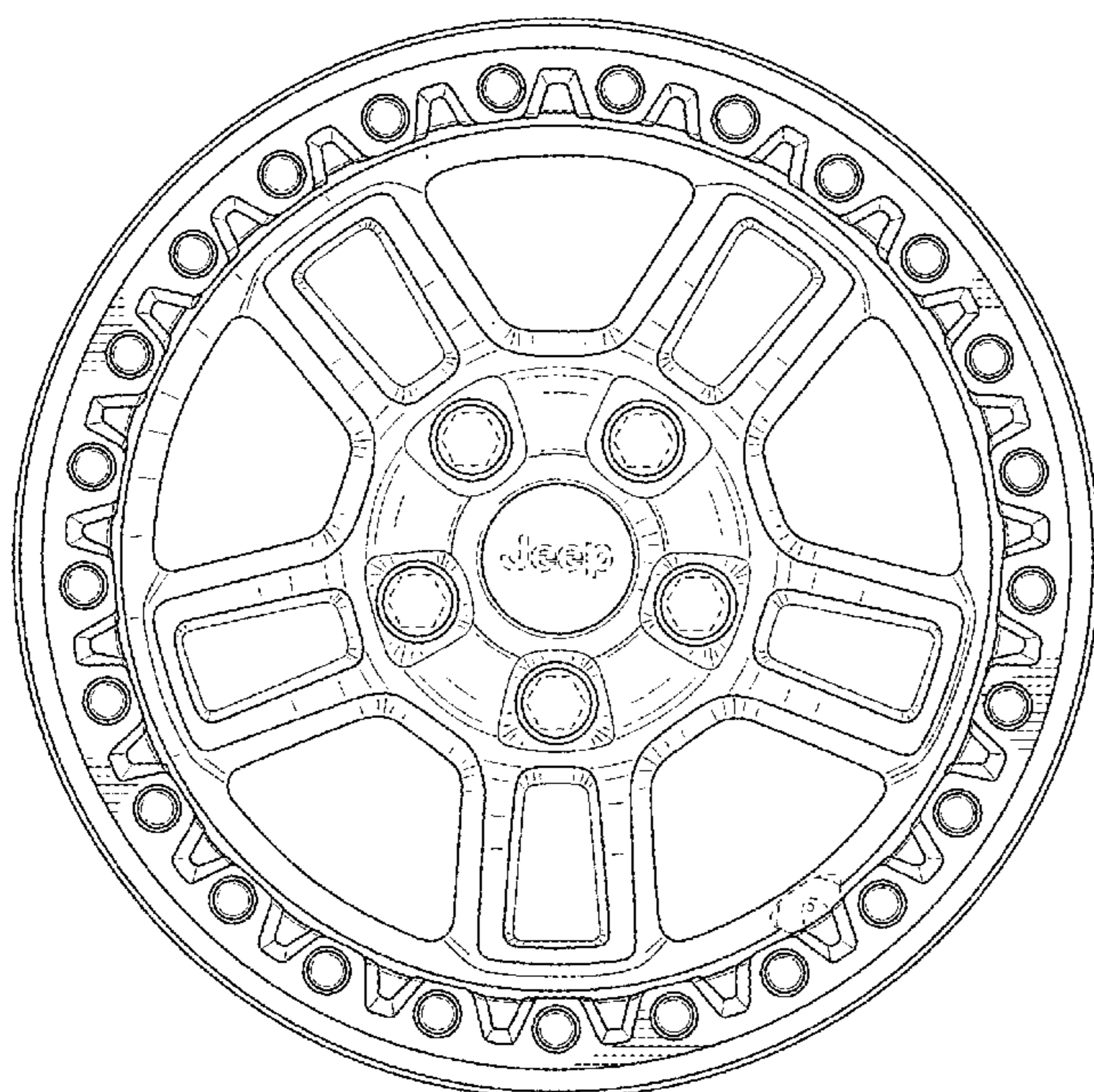
FIG. 1 is a front view of an automobile wheel showing our new design;

FIG. 2 is a left perspective view thereof; and,

FIG. 3 is a right perspective view thereof.

It will be understood that the broken lines shown in the drawings illustrate portions of the automobile wheel that form no part of the claimed design.

1 Claim, 3 Drawing Sheets



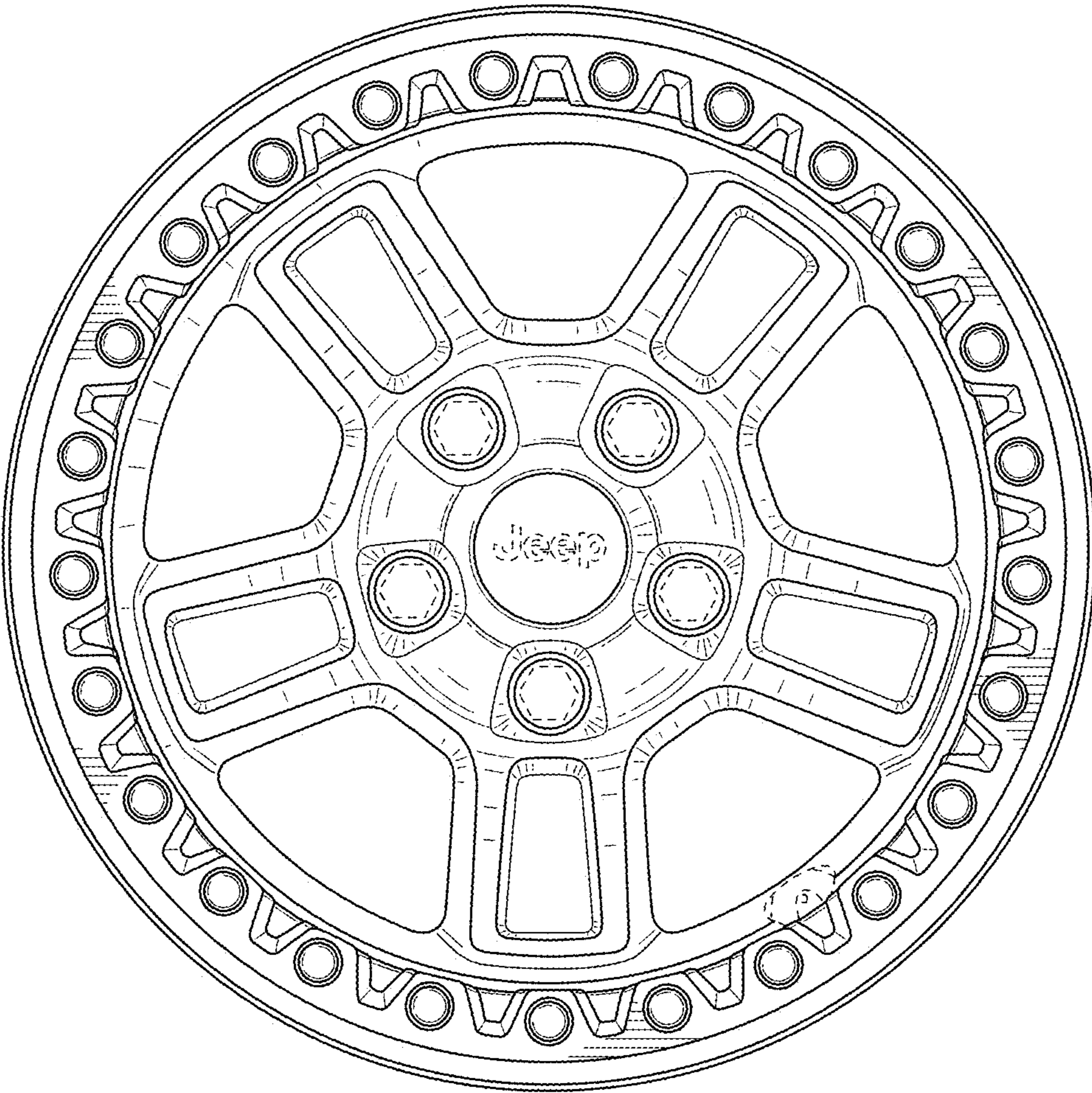


FIG. 1

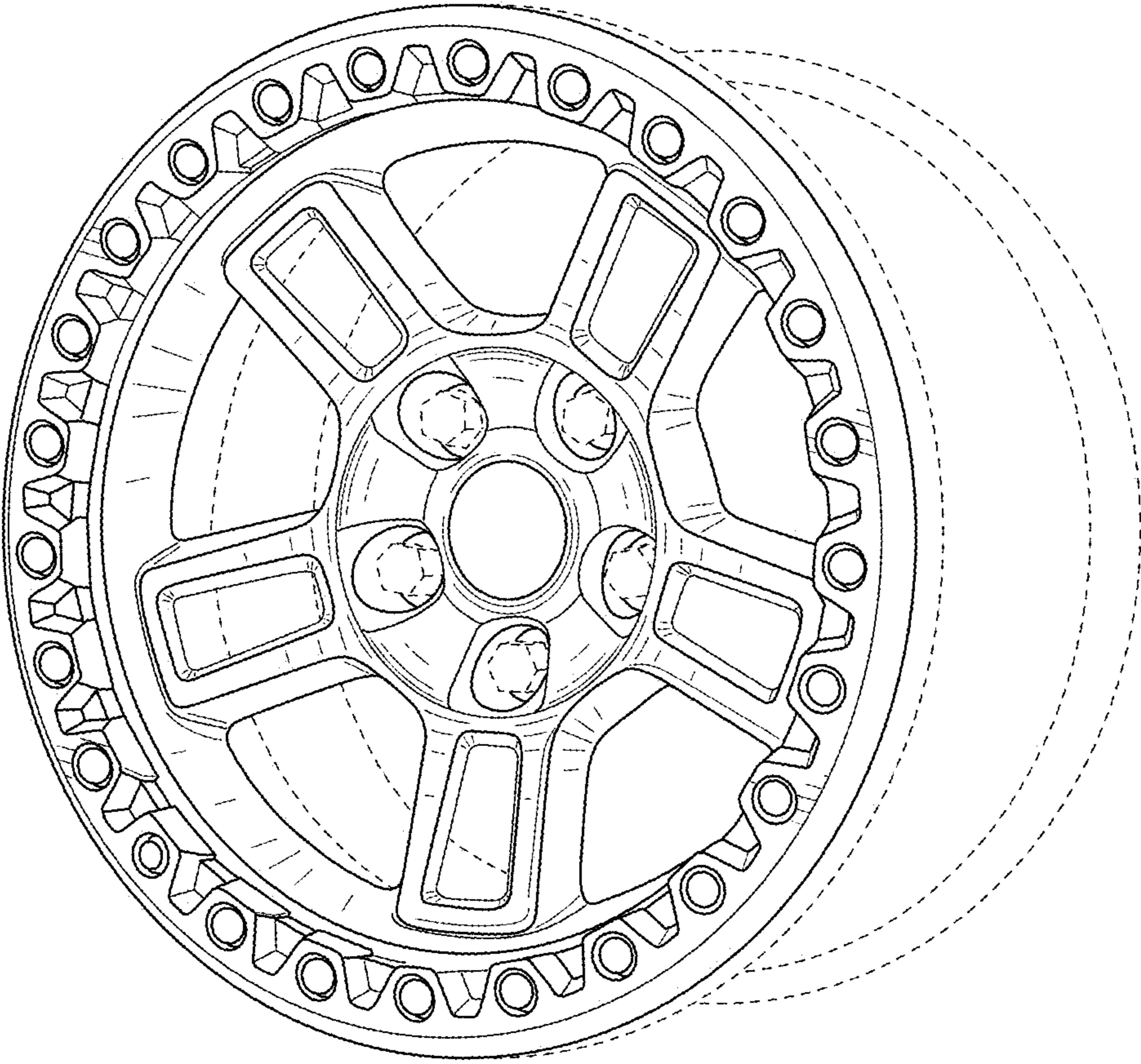


FIG. 2

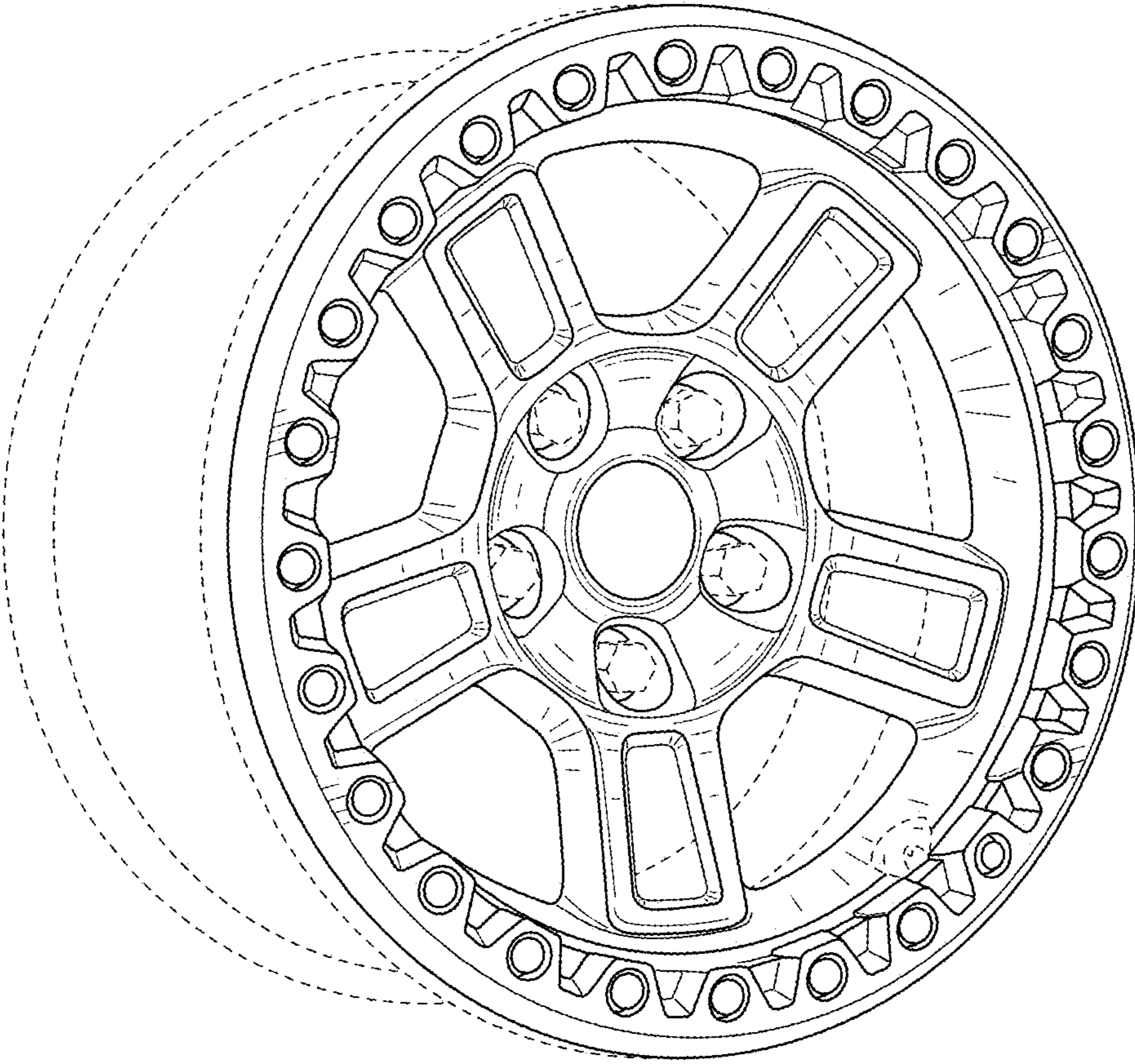


FIG. 3