



US00D901354S

(12) **United States Design Patent**
Aneiros et al.

(10) **Patent No.:** **US D901,354 S**

(45) **Date of Patent:** **** Nov. 10, 2020**

(54) **WHEEL**

(71) Applicants: **Jeffrey R. Aneiros**, Birmingham, MI (US); **Gregory A. Howell**, Farmington, MI (US)

(72) Inventors: **Jeffrey R. Aneiros**, Birmingham, MI (US); **Gregory A. Howell**, Farmington, MI (US)

(73) Assignee: **FCA US LLC**, Auburn Hills, MI (US)

(**) Term: **15 Years**

(21) Appl. No.: **29/679,553**

(22) Filed: **Feb. 7, 2019**

(51) **LOC (12) Cl.** **12-16**

(52) **U.S. Cl.**
USPC **D12/209**

(58) **Field of Classification Search**
USPC D12/204–213; D21/563
CPC B60B 7/00; B60B 7/02; B60B 7/04; B60B 7/01; B60B 7/06; B60B 3/02; B60B 3/04; B60B 3/06; B60B 3/10; B60B 1/00; B60B 1/08; B60B 1/10; B60B 1/12
See application file for complete search history.

(56) **References Cited**

U.S. PATENT DOCUMENTS

D436,907 S *	1/2001	Ong	D12/209
D486,110 S *	2/2004	Elmitt	D12/211
D503,917 S *	4/2005	Kushartanto	D12/209
D505,903 S *	6/2005	Nordmann	D12/209
D508,671 S *	8/2005	Baum	D12/209
D522,953 S *	6/2006	Guevara	D12/211
D527,325 S *	8/2006	Nagashima	D12/209
D535,934 S *	1/2007	Scheu	D12/211
D538,215 S *	3/2007	Laengerer	D12/209

D553,067 S *	10/2007	Muzzarelli	D12/211
D593,477 S *	6/2009	Chen	D12/211
D623,110 S *	9/2010	Juergens	D12/209
D624,476 S *	9/2010	Goto	D12/209
D643,793 S *	8/2011	Juergens	D12/209
D658,103 S *	4/2012	Choe	D12/209
D664,910 S *	8/2012	Gallert	D12/211
D705,713 S *	5/2014	Wagener	D12/209
D744,399 S *	12/2015	Juergens	D12/209
D754,049 S *	4/2016	Valencia Pollex	D12/209
D763,762 S *	8/2016	Ghobrial	D12/209
D764,369 S *	8/2016	Wheel	D12/209
D766,806 S	9/2016	Tannen et al.		
D775,578 S *	1/2017	Johnson	D12/211
D783,487 S *	4/2017	Koglin	D12/209
D783,493 S *	4/2017	Hubers	D12/209
D791,038 S *	7/2017	Piscitelli	D12/209
D791,044 S *	7/2017	Johnson	D12/209
D792,307 S *	7/2017	Macey	D12/209
D792,313 S *	7/2017	Langhals	D12/211
D810,648 S *	2/2018	Chung	D12/209
D859,276 S *	9/2019	Valencia Pollex	D12/211
D877,020 S *	3/2020	Valencia Pollex	D12/209

* cited by examiner

Primary Examiner — Stacia A Cadmus

(74) *Attorney, Agent, or Firm* — Ralph E. Smith

(57) **CLAIM**

The ornamental design for a wheel, as shown and described.

DESCRIPTION

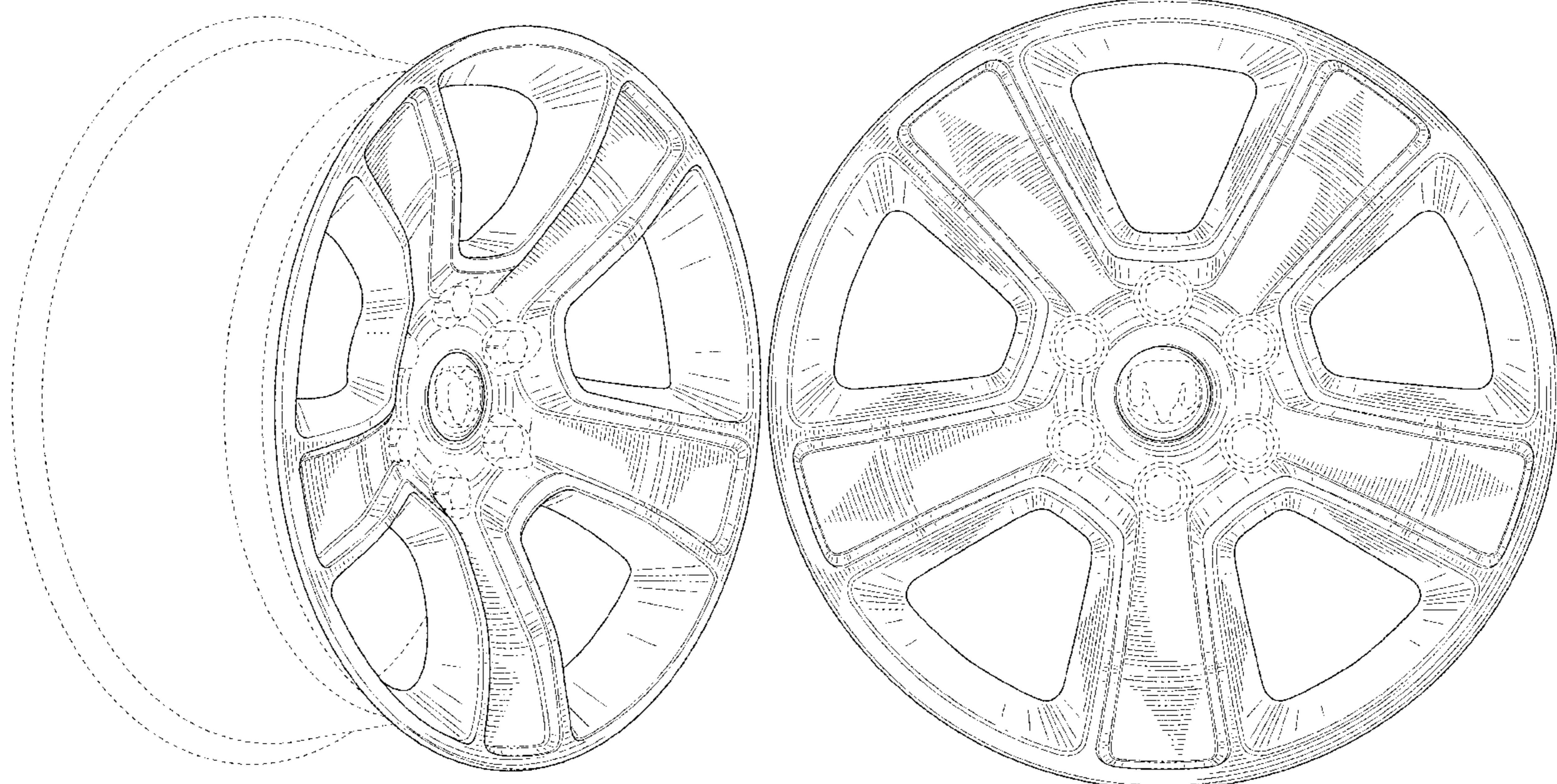
FIG. 1 is a right perspective view of a wheel showing our new design;

FIG. 2 is a left perspective view thereof; and,

FIG. 3 is a front view thereof.

It will be understood that the broken lines shown in the drawings illustrate portions of the wheel that form no part of the claimed design.

1 Claim, 3 Drawing Sheets



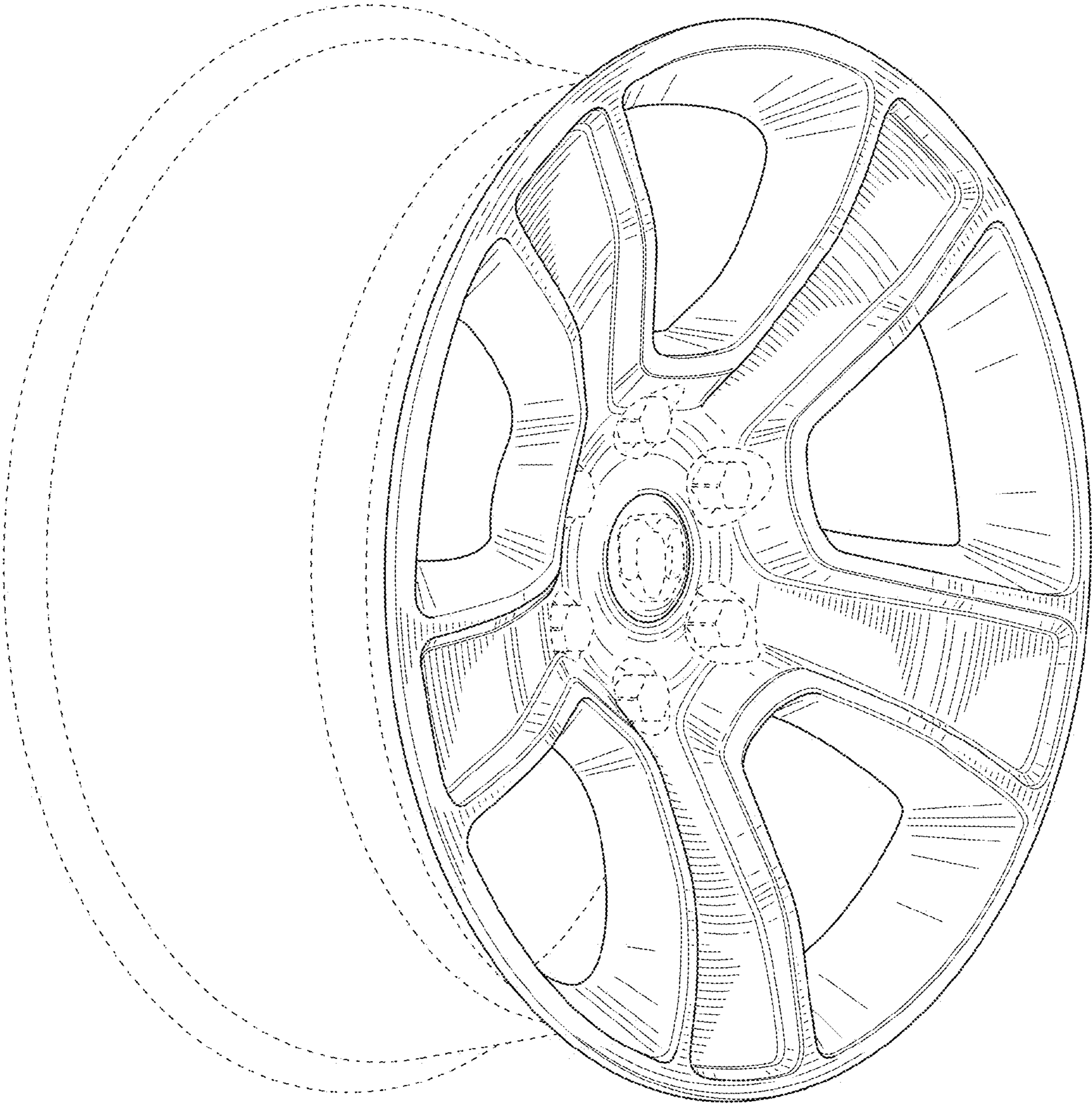


FIG. 1

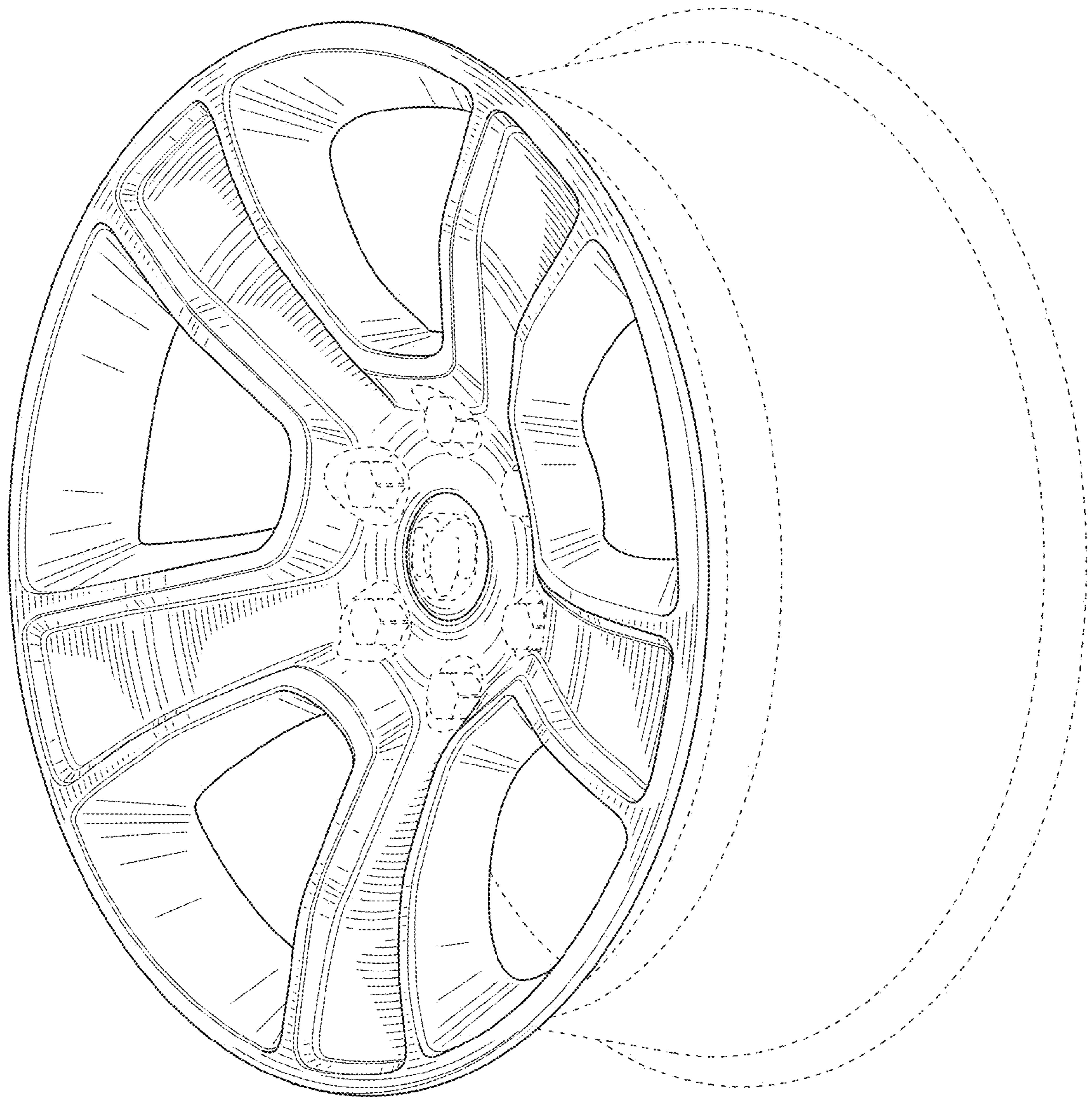


FIG. 2

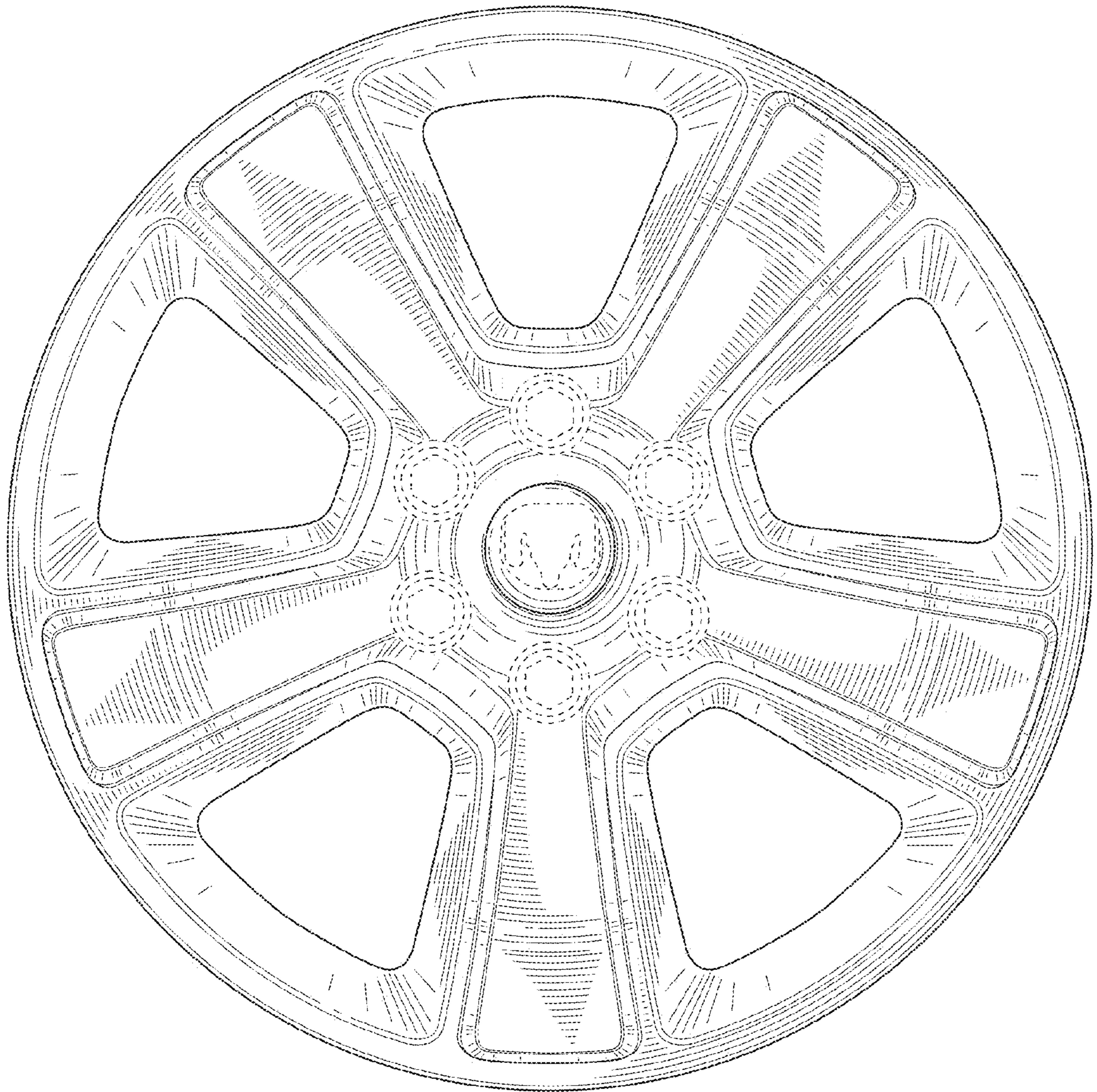


FIG. 3