



US00D901353S

(12) **United States Design Patent**  
**Tran**

(10) **Patent No.:** **US D901,353 S**

(45) **Date of Patent:** **\*\* Nov. 10, 2020**

(54) **WHEEL**

(71) Applicant: **Wheel Pros, LLC**, Greenwood Village, CO (US)

(72) Inventor: **Peter Tran**, Buena Park, CA (US)

(\*\*) Term: **15 Years**

(21) Appl. No.: **29/656,205**

(22) Filed: **Jul. 11, 2018**

(51) **LOC (12) Cl.** ..... **12-16**

(52) **U.S. Cl.**  
USPC ..... **D12/209**

(58) **Field of Classification Search**

USPC ..... D12/204–213; D21/563  
CPC .... B60B 7/00; B60B 7/02; B60B 7/04; B60B 7/01; B60B 7/06; B60B 3/02; B60B 3/04; B60B 3/06; B60B 3/10; B60B 1/00; B60B 1/08; B60B 1/10; B60B 1/12

See application file for complete search history.

D492,925 S	7/2004	Fitzgerald	
D496,317 S	9/2004	Kataoka	
D499,684 S	12/2004	Cheng	
D502,438 S	3/2005	Weld	
D504,859 S	5/2005	Sulahian	
D505,374 S	5/2005	Aleman	
D510,307 S	10/2005	Howes	
D513,486 S	1/2006	Rivera	
D519,433 S	4/2006	Finn	
D523,797 S	6/2006	Gallert	
D524,212 S	7/2006	Phillips	
D524,220 S	7/2006	Scheu	
D528,495 S	9/2006	Truebsbach	
D528,954 S	9/2006	Laengerer	
D535,601 S	1/2007	Beigel	
D538,726 S	3/2007	Wright	
D538,727 S	3/2007	Wright	
D542,209 S	5/2007	Pfeiffer	
D548,167 S *	8/2007	Groom	D12/211
D549,148 S	8/2007	Buschmann	
D550,600 S	9/2007	Celik	
D552,525 S	10/2007	Celik	
D553,068 S	10/2007	Celik	
D569,777 S	5/2008	Chung	
D573,082 S *	7/2008	Young	D12/211
D576,093 S	9/2008	Chung	

(Continued)

(56) **References Cited**

**U.S. PATENT DOCUMENTS**

D273,102 S	3/1984	Woodward
D291,796 S	9/1987	Reid
D361,975 S	9/1995	Weld
5,676,430 A	10/1997	Wright
D391,216 S	2/1998	Ballmann
D408,775 S	4/1999	Shikado
D453,492 S	2/2002	Laengerer
D453,724 S	2/2002	Hodges
D455,698 S	4/2002	Chung
D464,010 S	10/2002	Chung
D467,212 S	12/2002	Noriega
D470,094 S	2/2003	van Hooydonk
D478,542 S	8/2003	Sulahian
D480,036 S	9/2003	Laengerer
D482,996 S	12/2003	Sulahian

*Primary Examiner* — Stacia A Cadmus

(74) *Attorney, Agent, or Firm* — Eric Hanscom

(57) **CLAIM**

The ornamental design for a wheel, as shown and described.

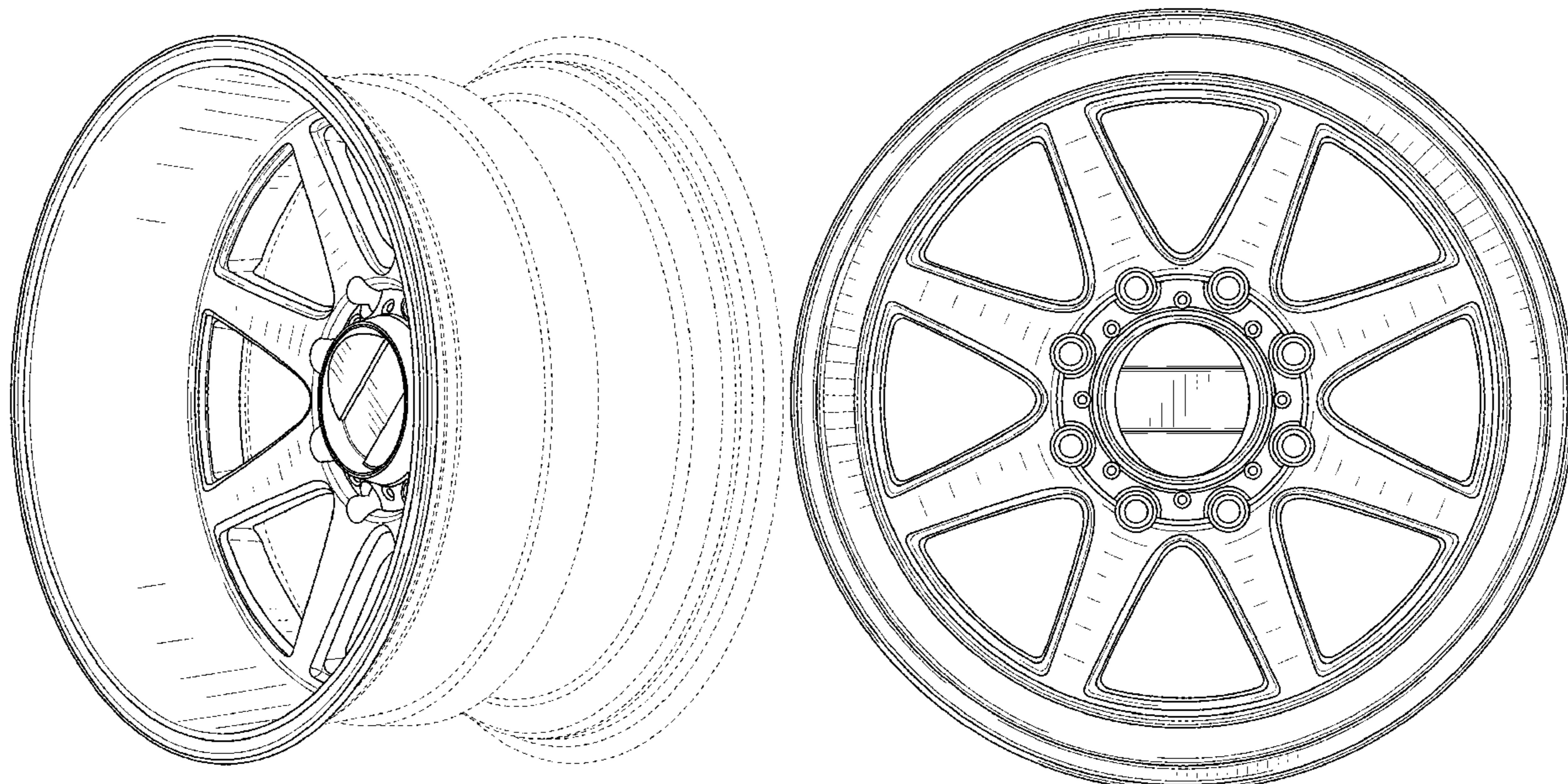
**DESCRIPTION**

FIG. 1 is a perspective view of a wheel showing my new design; and,

FIG. 2 is a front view thereof.

In the drawings, broken lines shown in the drawings depict environmental subject matter only and form no part of the claimed design.

**1 Claim, 2 Drawing Sheets**



(56)

References Cited

U.S. PATENT DOCUMENTS

D576,936 S 9/2008 Imai  
 D577,650 S 9/2008 Chung  
 D578,457 S 10/2008 Guidry  
 D579,845 S 11/2008 Chung  
 D582,827 S 12/2008 Musser  
 D582,830 S \* 12/2008 Musser ..... D12/211  
 D582,831 S 12/2008 Musser  
 D583,290 S 12/2008 Wang  
 D585,801 S 2/2009 Wang  
 D596,009 S 7/2009 Sawhney et al.  
 D596,099 S 7/2009 Chung  
 D598,357 S 8/2009 Chung  
 D599,266 S 9/2009 Bierenbreier  
 D612,316 S 3/2010 Sanschagrin  
 D613,659 S 4/2010 Cortes  
 D617,723 S 6/2010 Zhao  
 D619,073 S 7/2010 Groom  
 D620,864 S 8/2010 Groom  
 D620,873 S 8/2010 Groom  
 D623,109 S 9/2010 Markefka  
 D625,235 S 10/2010 Nissl  
 D627,697 S 11/2010 Wang  
 D635,903 S 4/2011 Zhang  
 D638,767 S 5/2011 Groom  
 D651,150 S 12/2011 Blower  
 D651,151 S 12/2011 Blewer  
 D654,007 S 2/2012 Nissl  
 D654,420 S 2/2012 Guay  
 D660,771 S 5/2012 Mueller-Stolz  
 D666,960 S 9/2012 Kong  
 D669,009 S 10/2012 Chung  
 D680,938 S 4/2013 Hale  
 D682,762 S 5/2013 Hale, Jr.  
 D684,516 S 6/2013 Bennion  
 D686,961 S 7/2013 Suny  
 D691,542 S \* 10/2013 Chan ..... D12/209  
 D695,193 S 12/2013 Kong  
 D698,298 S 1/2014 Cortes  
 D698,300 S 1/2014 Chung  
 D702,172 S 4/2014 Chung  
 D704,116 S 5/2014 Chung  
 D704,117 S 5/2014 Suny  
 D704,617 S 5/2014 Chung  
 D706,196 S \* 6/2014 Lee ..... D12/211  
 D706,197 S 6/2014 Chung  
 D707,167 S 6/2014 Chung  
 D709,020 S 7/2014 Chung

D711,304 S 8/2014 Chung  
 D712,334 S \* 9/2014 Hale, Jr. .... D12/211  
 D713,316 S 9/2014 Song  
 D714,207 S 9/2014 Kim  
 D714,705 S 10/2014 Kong  
 D714,706 S 10/2014 Chung  
 D715,211 S 10/2014 Gotschke  
 D717,709 S 11/2014 Valencia Pollex  
 D719,893 S 12/2014 Kim  
 D721,318 S \* 1/2015 Kim ..... D12/211  
 D724,515 S \* 3/2015 Chung ..... D12/209  
 D726,628 S 4/2015 Kong  
 D726,630 S 4/2015 Kong  
 D727,825 S \* 4/2015 Chung ..... D12/211  
 D731,946 S 6/2015 Chung  
 D733,027 S 6/2015 Chung  
 D735,104 S 7/2015 Hodges  
 D739,803 S 9/2015 Miansian  
 D742,293 S 11/2015 Chung  
 D748,556 S 2/2016 Valencia Pollex  
 D749,030 S 2/2016 Zhao  
 D749,482 S 2/2016 Schroeder  
 D750,003 S 2/2016 Ahmad  
 9,266,386 B2 2/2016 Wang  
 D751,481 S \* 3/2016 Chung ..... D12/209  
 D753,046 S 4/2016 Liffick  
 D755,694 S 5/2016 Valencia Pollex  
 D756,287 S 5/2016 Koglin  
 D756,882 S 5/2016 Tirado  
 D764,373 S 8/2016 Valencia Pollex  
 D765,574 S \* 9/2016 Hale, Jr. .... D12/211  
 D766,805 S 9/2016 Chung  
 D769,166 S 10/2016 Juergens  
 D769,785 S 10/2016 Wells  
 D770,960 S 11/2016 Svensson  
 D775,578 S 1/2017 Johnson  
 D780,655 S 3/2017 Trim  
 D791,667 S 7/2017 Prasad  
 D803,753 S \* 11/2017 Zhao ..... D12/211  
 D813,137 S \* 3/2018 Sempek ..... D12/209  
 D823,214 S \* 7/2018 Chung ..... D12/209  
 D824,834 S \* 8/2018 Licklitter ..... D12/211  
 D830,278 S \* 10/2018 Aslam ..... D12/213  
 D852,706 S \* 7/2019 Tran ..... D12/211  
 D857,595 S \* 8/2019 Luo ..... D12/211  
 D865,615 S \* 11/2019 Tran ..... D12/209  
 D875,018 S \* 2/2020 Han ..... D12/211  
 D883,893 S \* 5/2020 Johnson ..... D12/211

\* cited by examiner



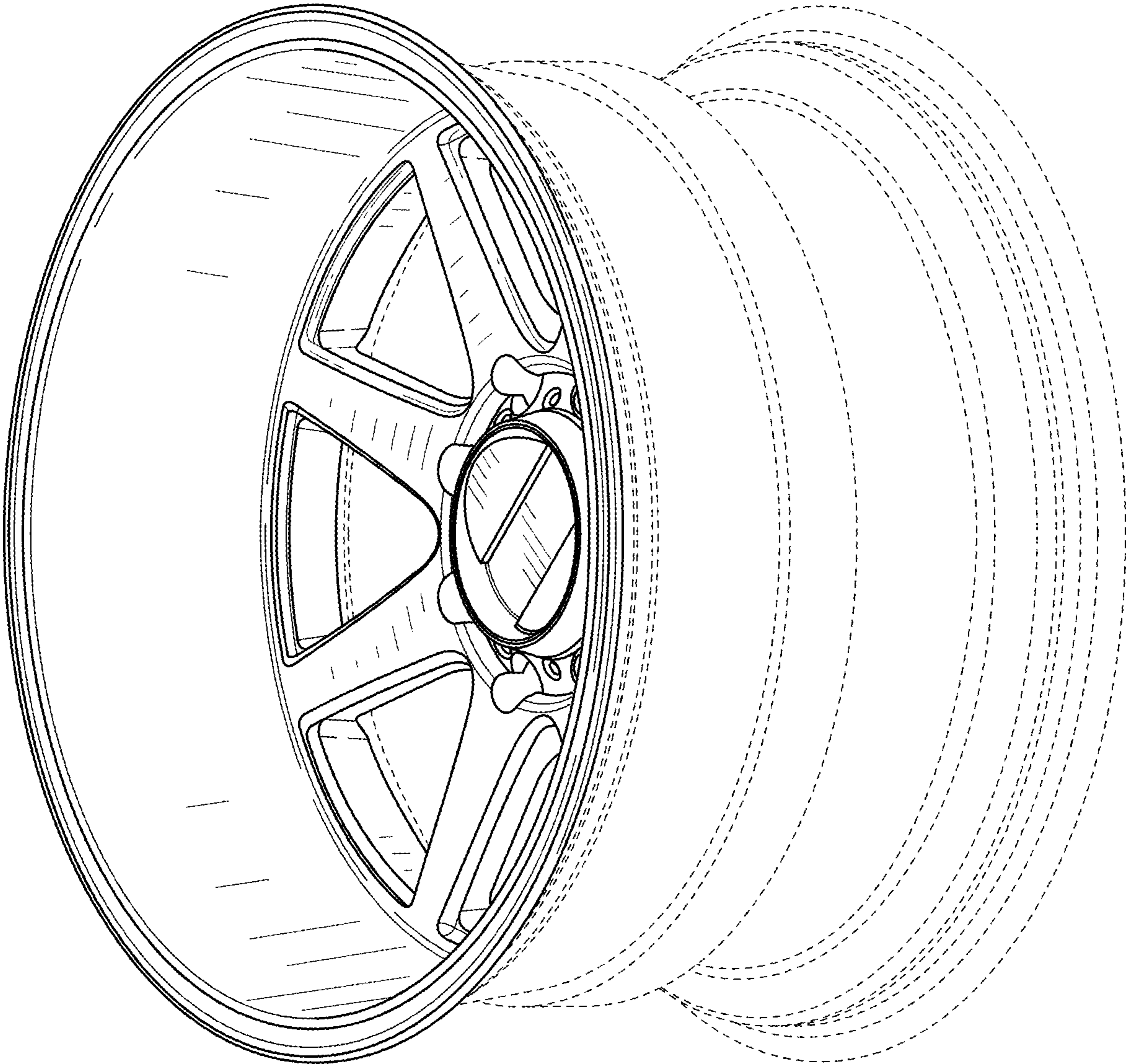


FIG. 1

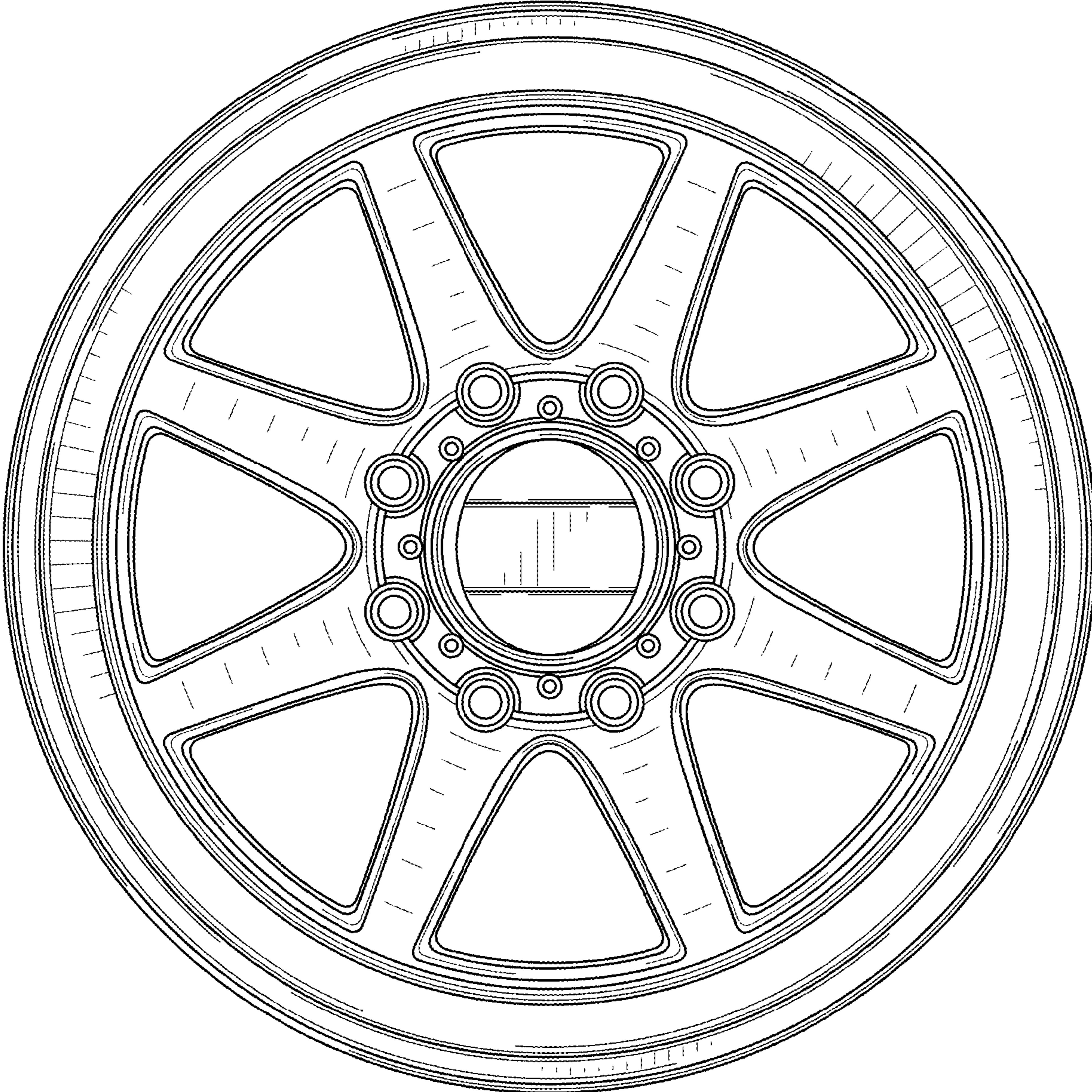


FIG. 2