



US00D901351S

(12) **United States Design Patent**  
**Kim et al.**

(10) **Patent No.:** **US D901,351 S**

(45) **Date of Patent:** **\*\* Nov. 10, 2020**

(54) **FRONT DOOR PANEL FOR VEHICLES**

(71) Applicants: **HYUNDAI MOTOR COMPANY**,  
Seoul (KR); **KIA MOTORS**  
**CORPORATION**, Seoul (KR)

(72) Inventors: **Han-Gyeol Kim**, Paju-si (KR); **Goo**  
**Lee**, Anyang-si (KR)

(73) Assignees: **Hyundai Motor Company**, Seoul  
(KR); **Kia Motors Corporation**, Seoul  
(KR)

(\*\*) Term: **15 Years**

(21) Appl. No.: **35/507,578**

(22) Filed: **Feb. 20, 2019**

(80) **Hague Agreement Data**

Int. Filing Date: **Feb. 20, 2019**

Int. Reg. No.: **DM/203435**

Int. Reg. Date: **Feb. 20, 2019**

Int. Reg. Pub. Date: **Oct. 25, 2019**

(51) **LOC (12) Cl.** ..... **12-16**

(52) **U.S. Cl.**  
USPC ..... **D12/196**

(58) **Field of Classification Search**  
USPC ..... D12/86, 88, 90-92, 184, 196; D21/424,  
D21/433, 434, 533, 548  
CPC ..... B62D 25/00; B62D 25/02; B62D 25/06;  
B62D 35/00; B62D 35/005; B60J 5/04  
See application file for complete search history.

(56) **References Cited**

**U.S. PATENT DOCUMENTS**

D420,964 S \* 2/2000 Sacco ..... D12/196  
D695,663 S \* 12/2013 Suga ..... D12/196

D733,003 S \* 6/2015 Bischoff ..... D12/91  
D758,272 S \* 6/2016 Sato ..... D12/196  
D783,483 S \* 4/2017 Choi ..... D12/196  
D785,529 S \* 5/2017 Kyung ..... D12/196  
D785,531 S \* 5/2017 Lim ..... D12/196  
D786,761 S \* 5/2017 Luk ..... D12/196  
D815,564 S \* 4/2018 Gunnarson ..... D12/91  
D823,766 S \* 7/2018 Han ..... D12/196  
D833,355 S \* 11/2018 Lee ..... D12/196  
D867,951 S \* 11/2019 Izard ..... D12/196  
D873,752 S \* 1/2020 Choi ..... D12/196

\* cited by examiner

*Primary Examiner* — George D. Kirschbaum

*Assistant Examiner* — Calvin E Vansant

(74) *Attorney, Agent, or Firm* — Mintz Levin Cohn Ferris  
Glovsky and Popeo, P.C.; Peter F. Corless; Carolina E.  
Säve

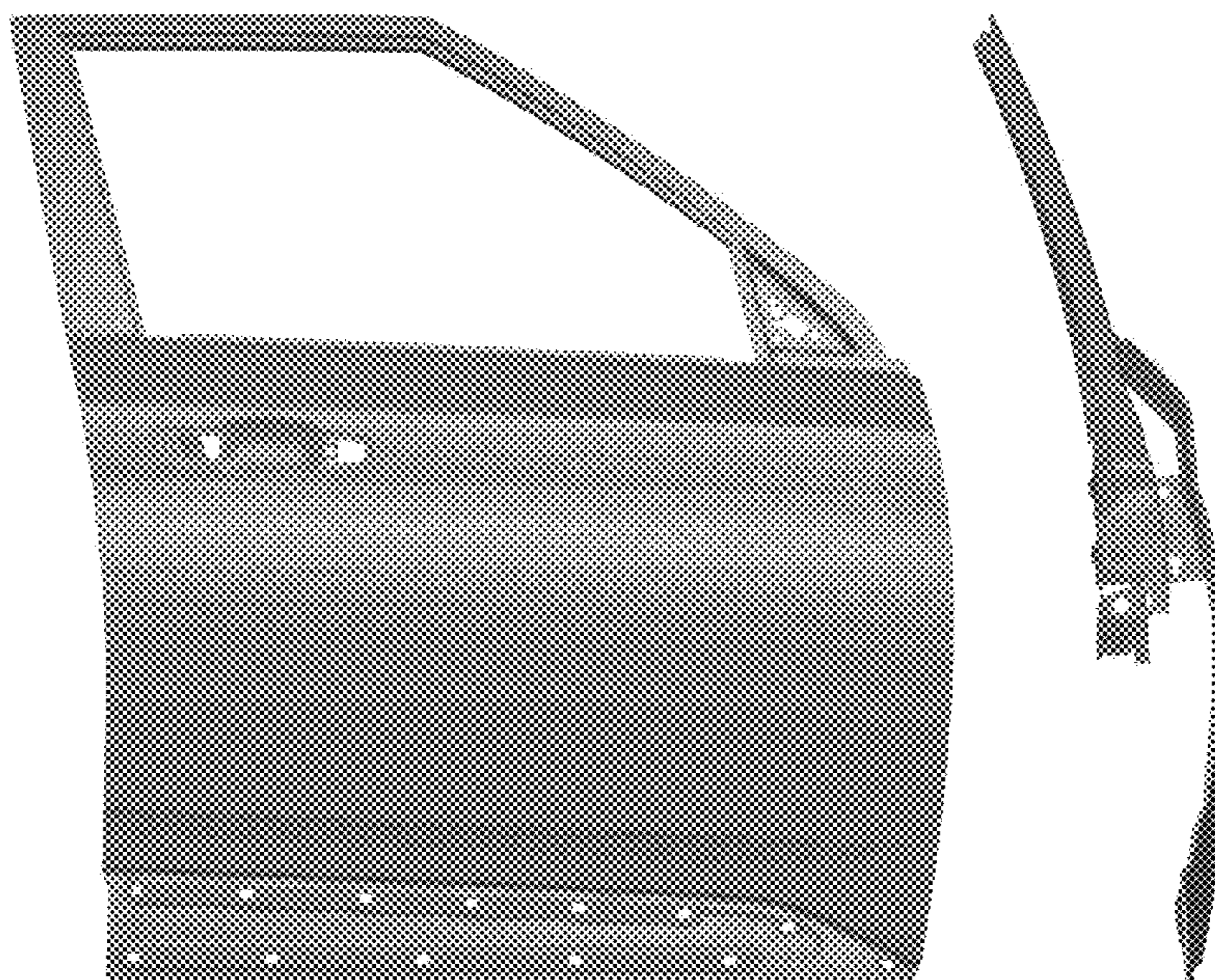
(57) **CLAIM**

The ornamental design for a front door panel for vehicles, as  
shown and described.

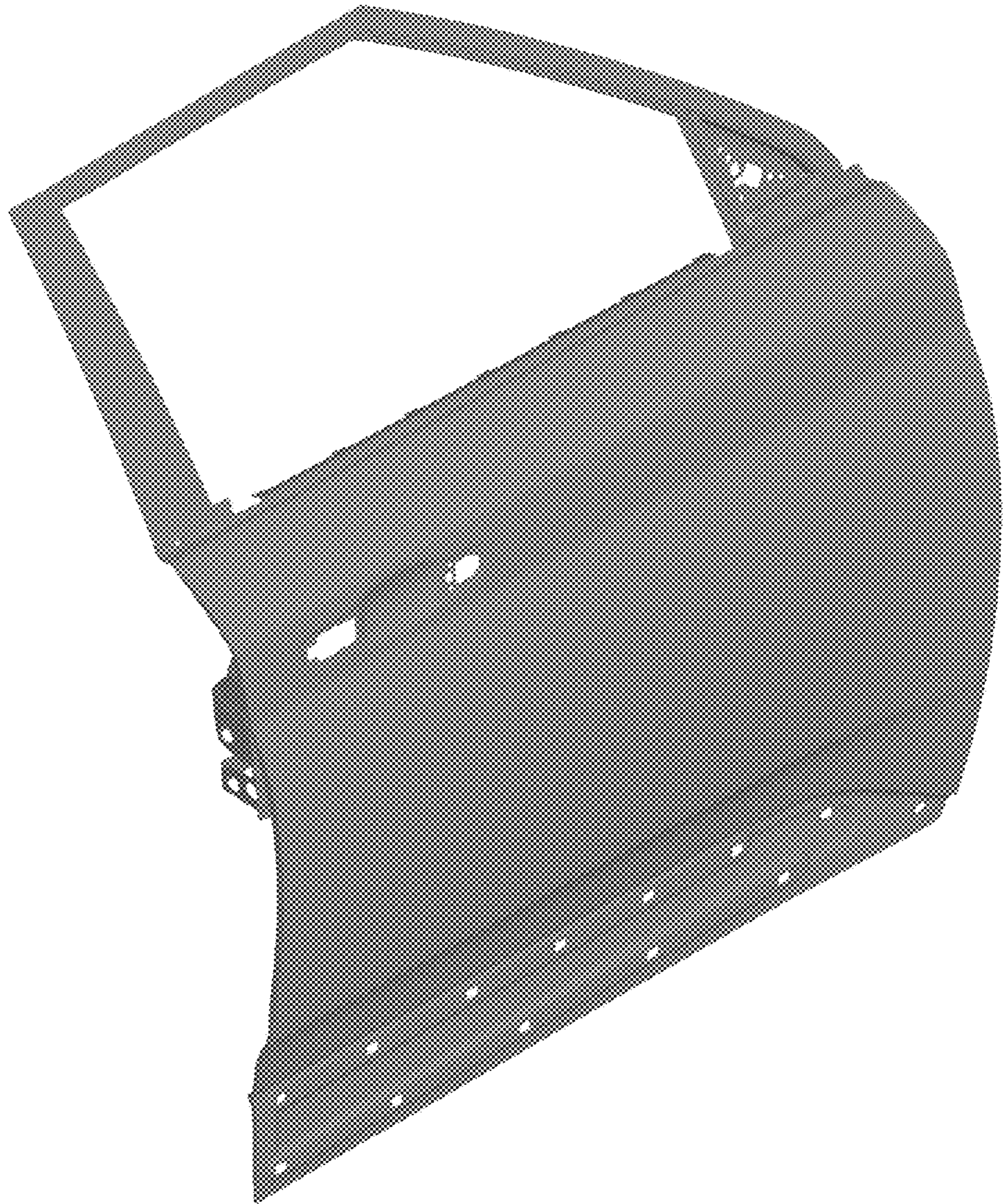
**DESCRIPTION**

- 1. Front door panel for vehicles
- 1.1 : Perspective
- 1.2 : Front
- 1.3 : Back
- 1.4 : Left
- 1.5 : Right
- 1.6 : Top
- 1.7 : Bottom

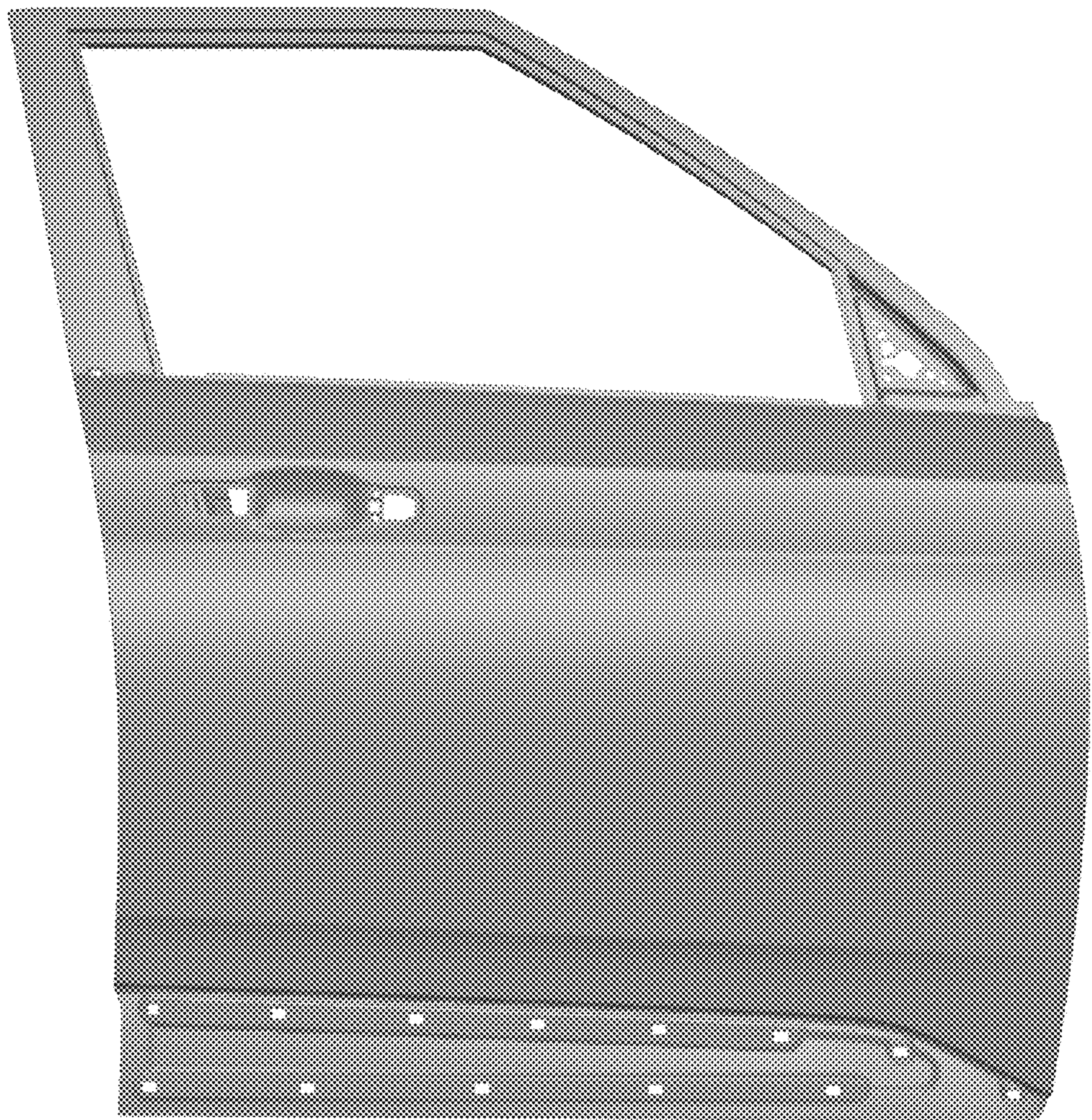
**1 Claim, 7 Drawing Sheets**



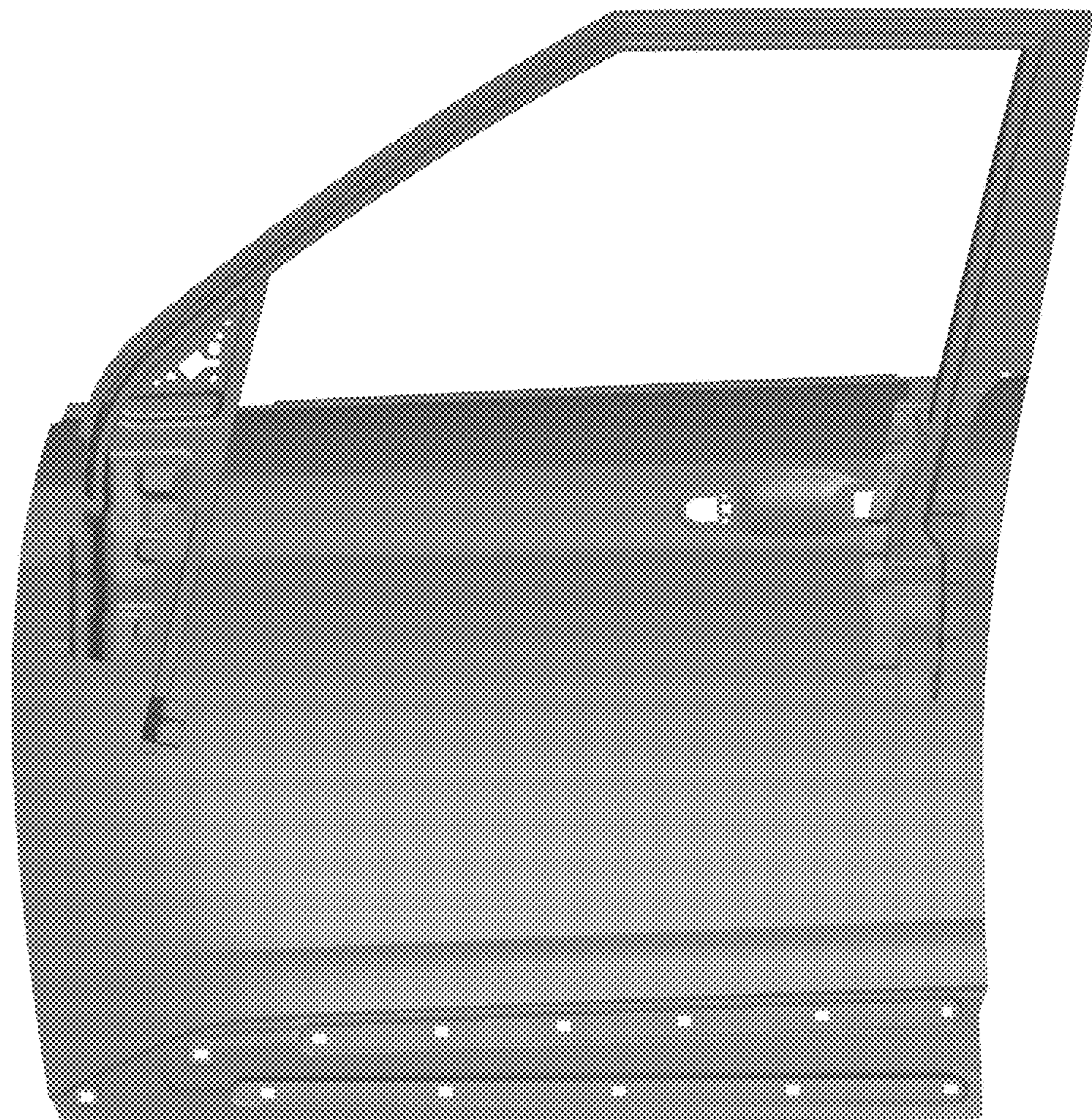
1.1



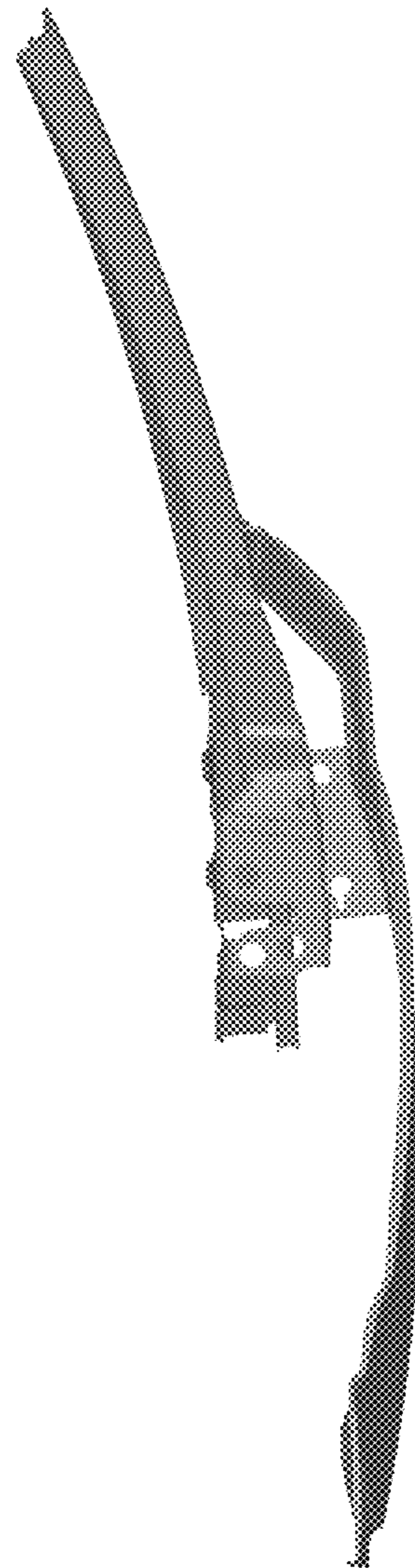
1.2



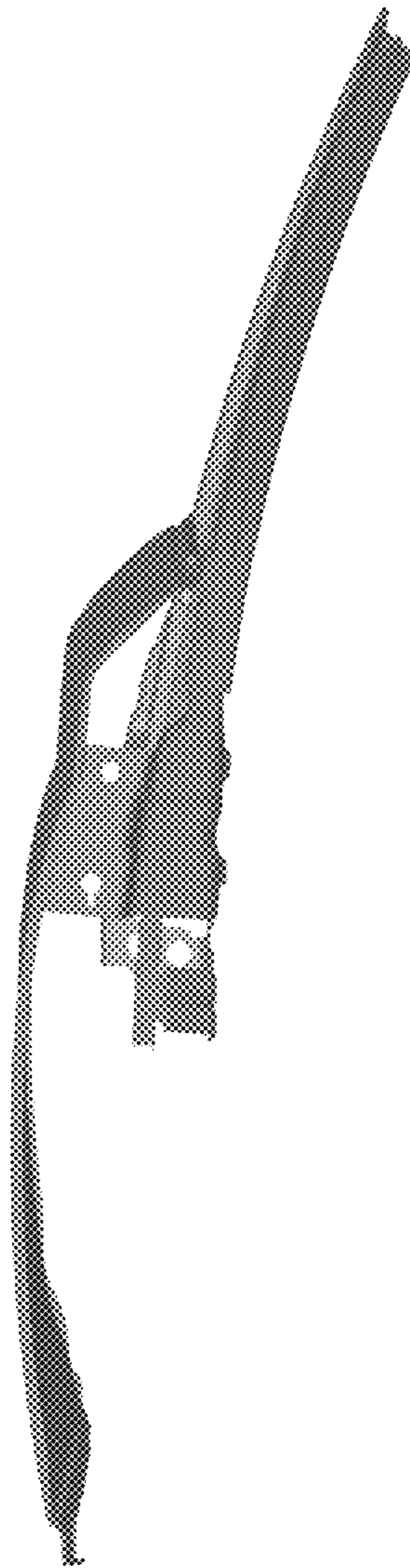
1.3



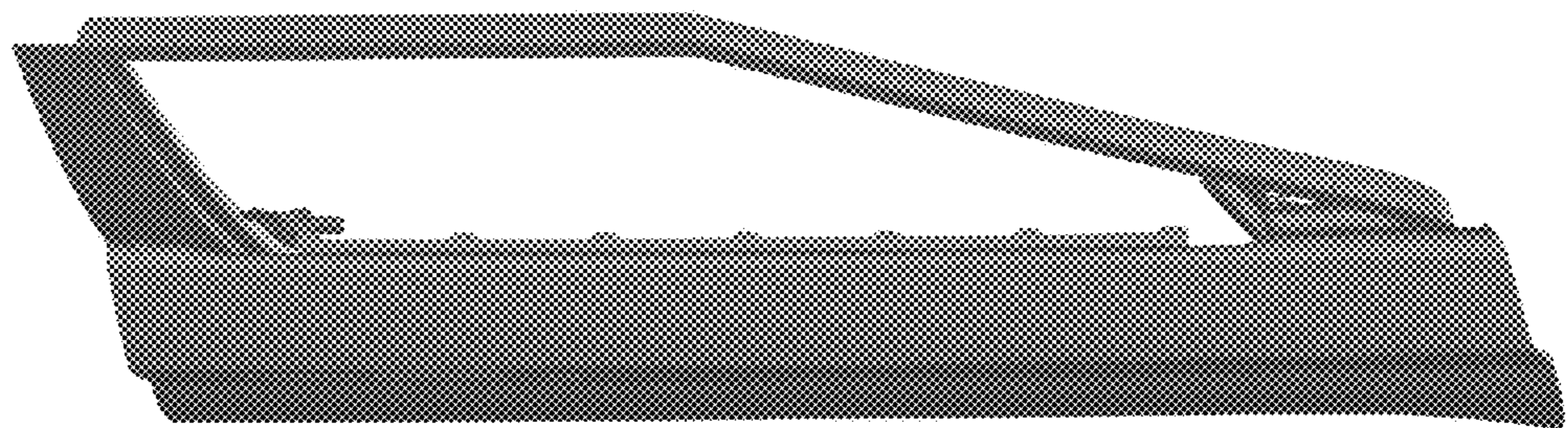
1.4



1.5



1.6



1.7

