



US00D901350S

(12) **United States Design Patent** (10) **Patent No.:** **US D901,350 S**
Marti Sala (45) **Date of Patent:** **** Nov. 10, 2020**

(54) **VEHICLE BODY COMPONENT**
(71) Applicant: **AUSA CENTER, S.L.U.**, Manresa (ES)
(72) Inventor: **Jordi Marti Sala**, Manresa (ES)
(73) Assignee: **Ausa Center, S.L.U.**, Barcelona (ES)
(**) Term: **15 Years**
(21) Appl. No.: **29/707,249**
(22) Filed: **Sep. 26, 2019**
(51) **LOC (12) Cl.** **12-16**
(52) **U.S. Cl.**
USPC **D12/196**
(58) **Field of Classification Search**
USPC D8/300, 302, 305, 307, 315; D12/190,
D12/193, 195, 196, 414
CPC E05B 81/56; E05B 81/80; E05B 65/00;
E05B 65/06; E05B 65/10; E05B 65/12;
E05B 79/06; B60J 5/04
See application file for complete search history.

(56) **References Cited**

U.S. PATENT DOCUMENTS

D468,675 S * 1/2003 Murkett D12/196
D558,113 S * 12/2007 Leclercq D12/196
D573,522 S * 7/2008 Sato D12/196
D580,332 S * 11/2008 Gueler D12/196
D583,288 S * 12/2008 Leclercq D12/196
D593,016 S * 5/2009 Habib D12/196
D593,471 S * 6/2009 Larson D12/196
D593,918 S * 6/2009 Larson D12/196
D601,072 S * 9/2009 Giachin D12/196
D615,017 S * 5/2010 Smith D12/195
D616,348 S * 5/2010 Rosenbohm D12/195
D620,415 S * 7/2010 Froehlich D12/196
D629,730 S * 12/2010 Schneider D12/196
D633,022 S * 2/2011 Hwang D12/195
D633,023 S * 2/2011 Hwang D12/195
D636,317 S * 4/2011 Matei D12/196

D645,388 S * 9/2011 Kumai D12/196
D653,187 S * 1/2012 Tomatsu D12/196
D665,321 S * 8/2012 Huet D12/196
D674,328 S * 1/2013 Ikuma D12/196
D676,366 S * 2/2013 Yamada D12/196
D695,178 S * 12/2013 Tada D12/196
D695,663 S * 12/2013 Suga D12/196
D699,654 S * 2/2014 Okue D12/196
D700,875 S * 3/2014 Jevremovic D12/196
D701,809 S * 4/2014 Hildebrand D12/196
D703,123 S * 4/2014 Hildebrand D12/196

(Continued)

Primary Examiner — Susan Bennett Hattan
Assistant Examiner — Suzanne E Tisdell
(74) *Attorney, Agent, or Firm* — Danielson Legal LLC

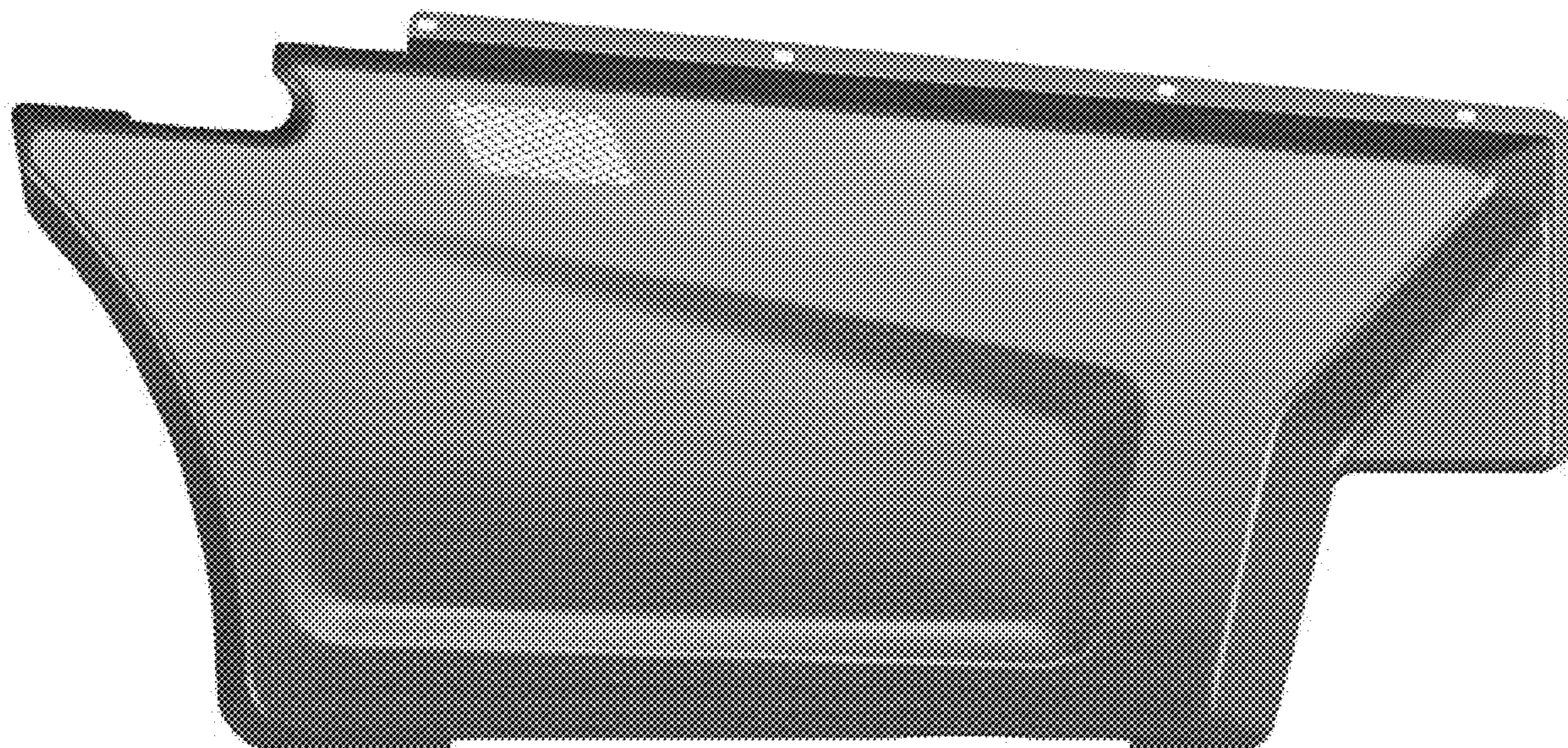
(57) **CLAIM**

The ornamental design for a vehicle body component, as shown and described.

DESCRIPTION

FIG. 1 is a left side view of a vehicle body component showing my new design;
FIG. 2 is a left perspective view of a vehicle body component as shown in FIG. 1;
FIG. 3 is a front view (from the left side of FIGS. 1 and 2) of the vehicle body component as shown in FIG. 1;
FIG. 4 is a right perspective view of a vehicle body component as shown in FIG. 1;
FIG. 5 is a right side view of a vehicle body component as shown in FIG. 1;
FIG. 6 is a right perspective view (from another angle with respect to FIG. 4) of a vehicle body component as shown in FIG. 1; and,
FIG. 7 is a rear view of a vehicle body component as shown in FIG. 1.
The broken lines represent portions of the article that form no part of the claim.

1 Claim, 7 Drawing Sheets



(56)

References Cited

U.S. PATENT DOCUMENTS

D705,149	S	*	5/2014	Sakae	D12/196
D758,270	S	*	6/2016	Zadnik	D12/196
D762,541	S	*	8/2016	Jo	D12/196
D763,156	S	*	8/2016	Jo	D12/196
D765,571	S	*	9/2016	Faghihzadeh	D12/196
D772,758	S	*	11/2016	Frascella	D12/92
D772,772	S	*	11/2016	Frascella	D12/196
D775,567	S	*	1/2017	Faghihzadeh	D12/196
D776,593	S	*	1/2017	Schneider	D12/196
D779,407	S	*	2/2017	Bae	D12/196
D781,194	S	*	3/2017	Bae	D12/196
D785,529	S	*	5/2017	Kyung	D12/196
D785,531	S	*	5/2017	Lim	D12/196
D786,761	S	*	5/2017	Luk	D12/196
D801,246	S	*	10/2017	Lee	D12/196
D803,121	S	*	11/2017	Granlund	D12/196
D803,122	S	*	11/2017	Granlund	D12/196
2015/0329057	A1	*	11/2015	Tiboni	B62D 65/14 296/37.13
2015/0360623	A1	*	12/2015	Larsen	B60R 13/02 296/29
2016/0114658	A1	*	4/2016	Yokota	B60J 5/0402 49/489.1
2016/0160540	A1	*	6/2016	Bejune	E05B 77/06 292/196
2016/0187107	A1	*	6/2016	Johnston	F41H 7/00 89/36.08
2016/0280129	A1	*	9/2016	Newbound	B60Q 3/217
2018/0051492	A1	*	2/2018	Smith	E05B 79/06
2018/0051493	A1	*	2/2018	Krishnan	E05B 81/86

* cited by examiner

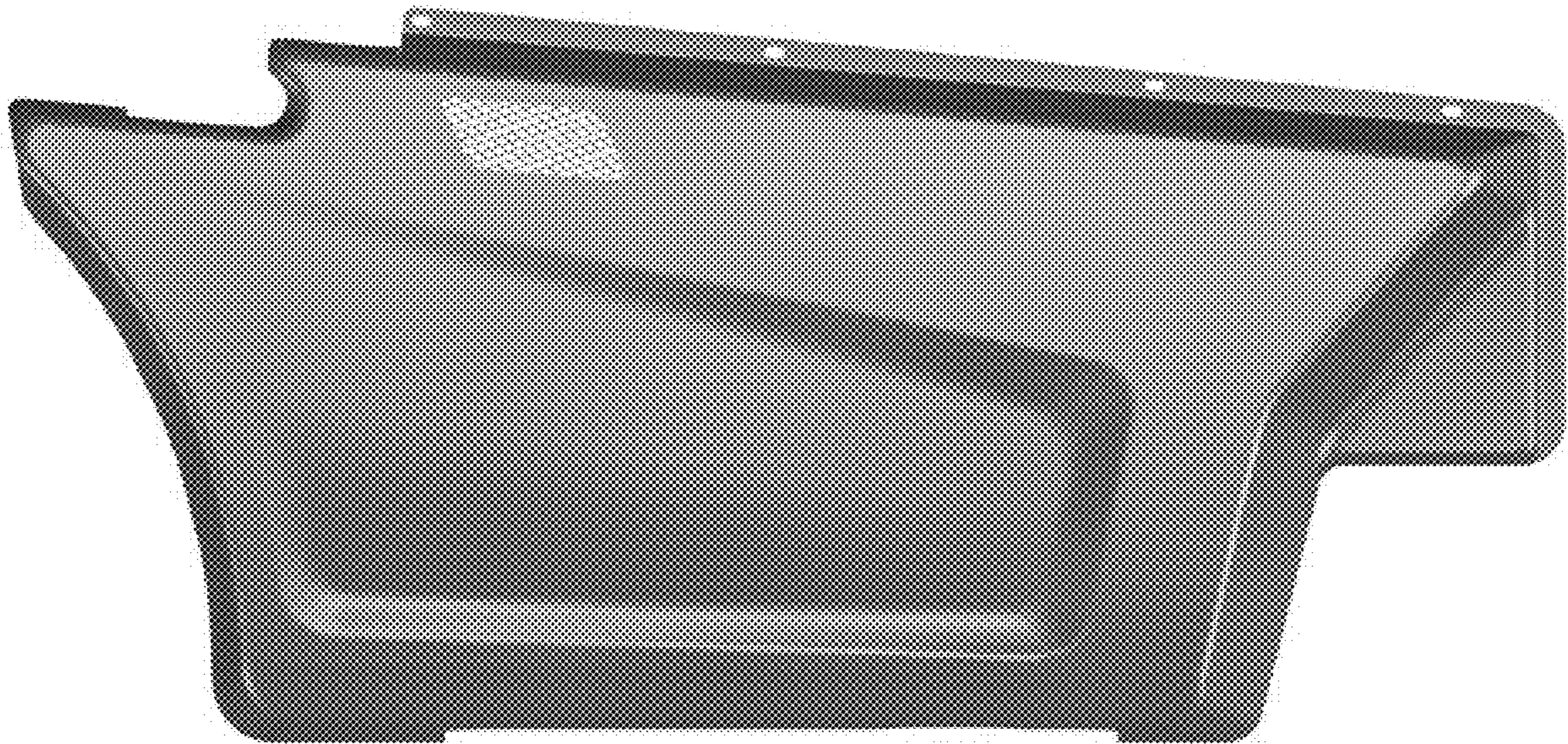


FIG. 1

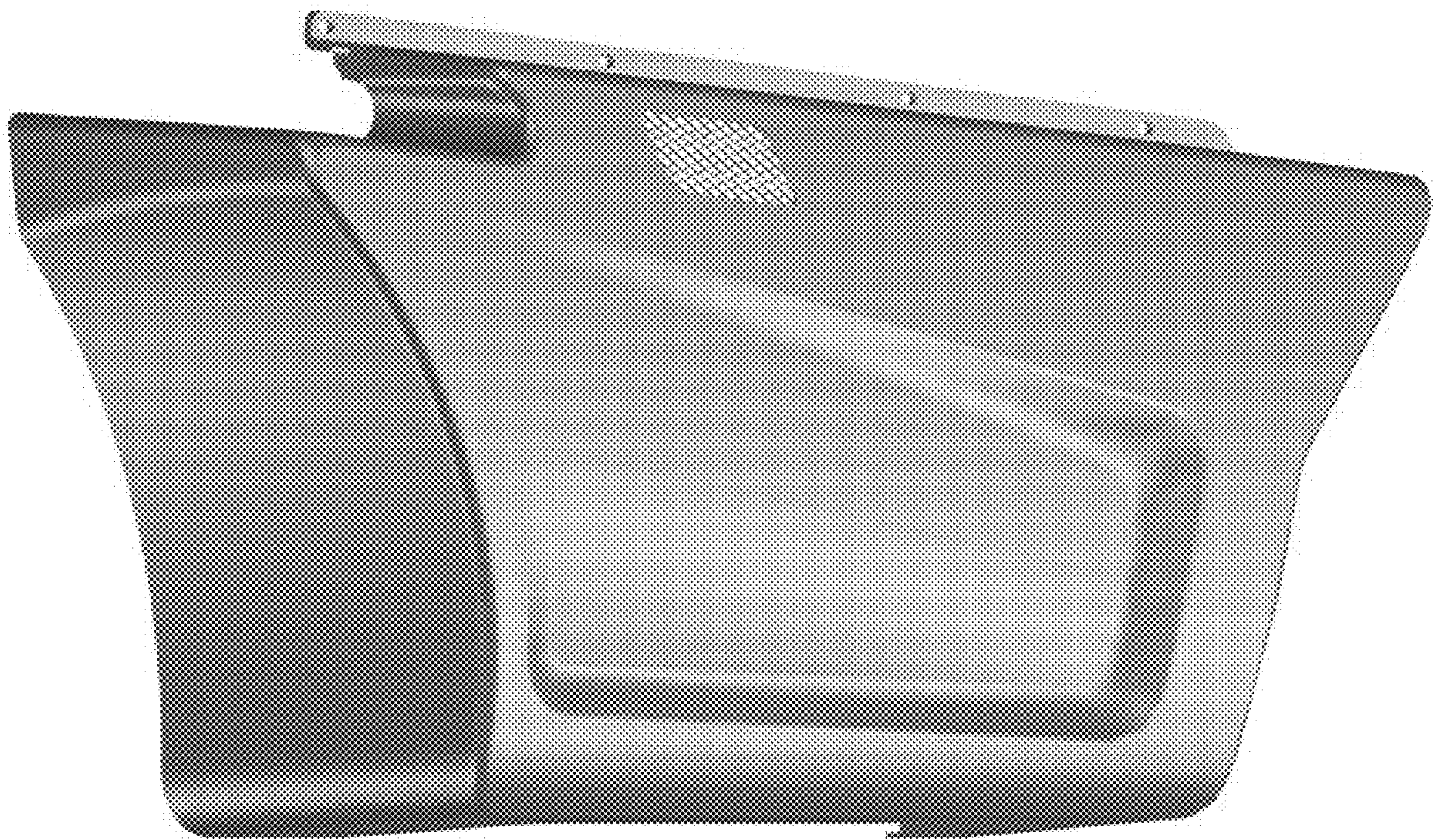


FIG. 2

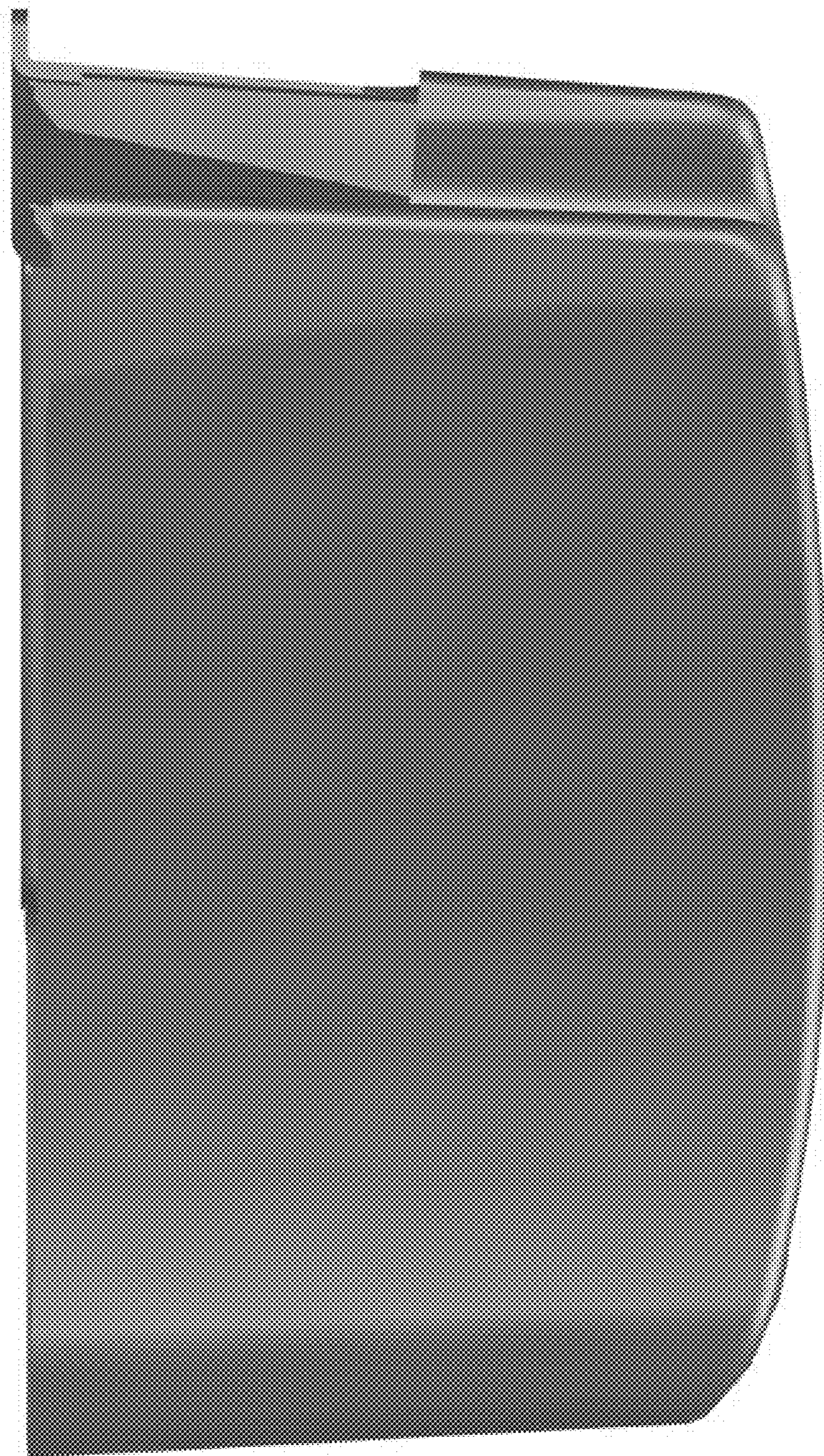


FIG. 3

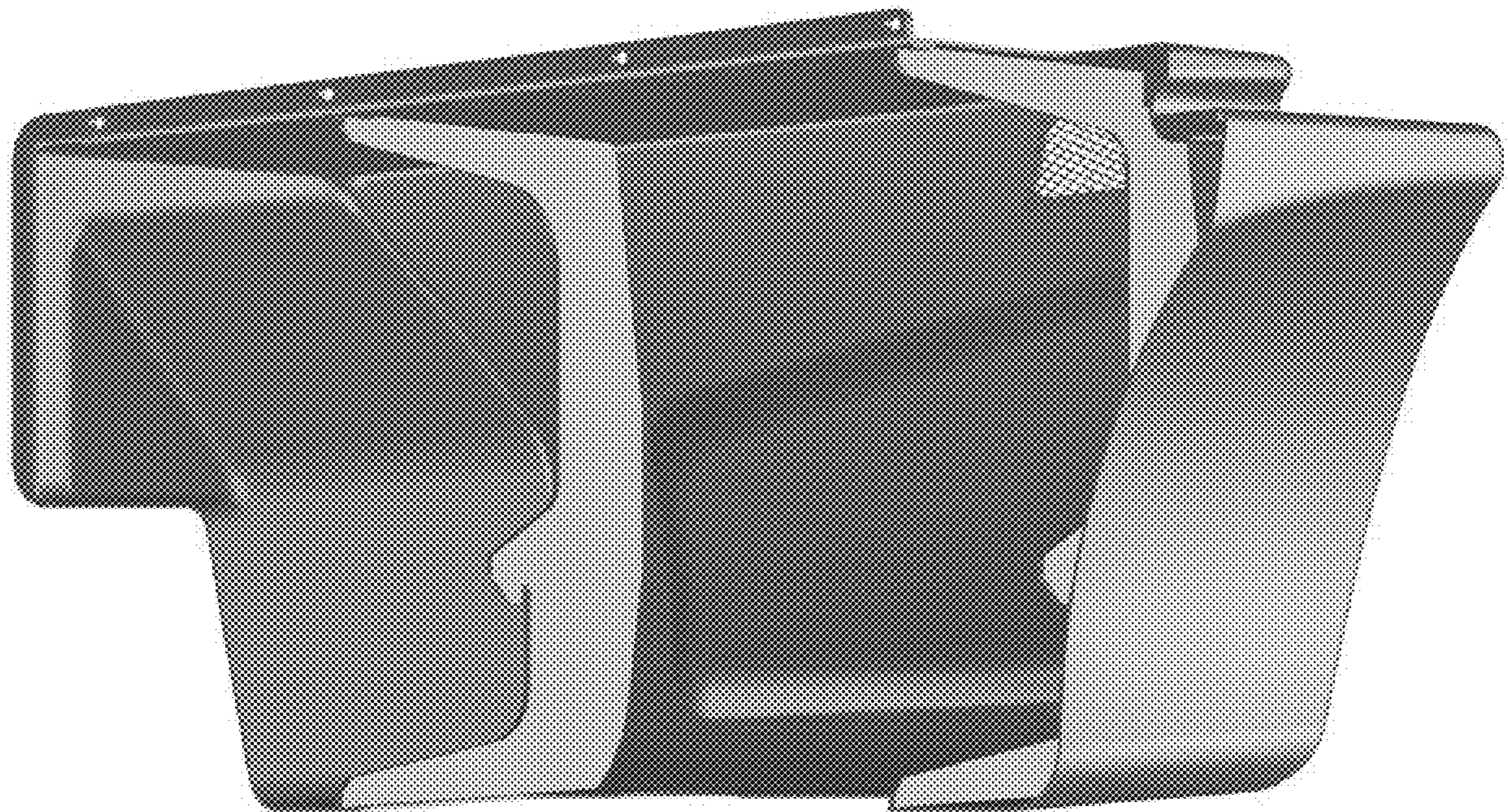


FIG. 4

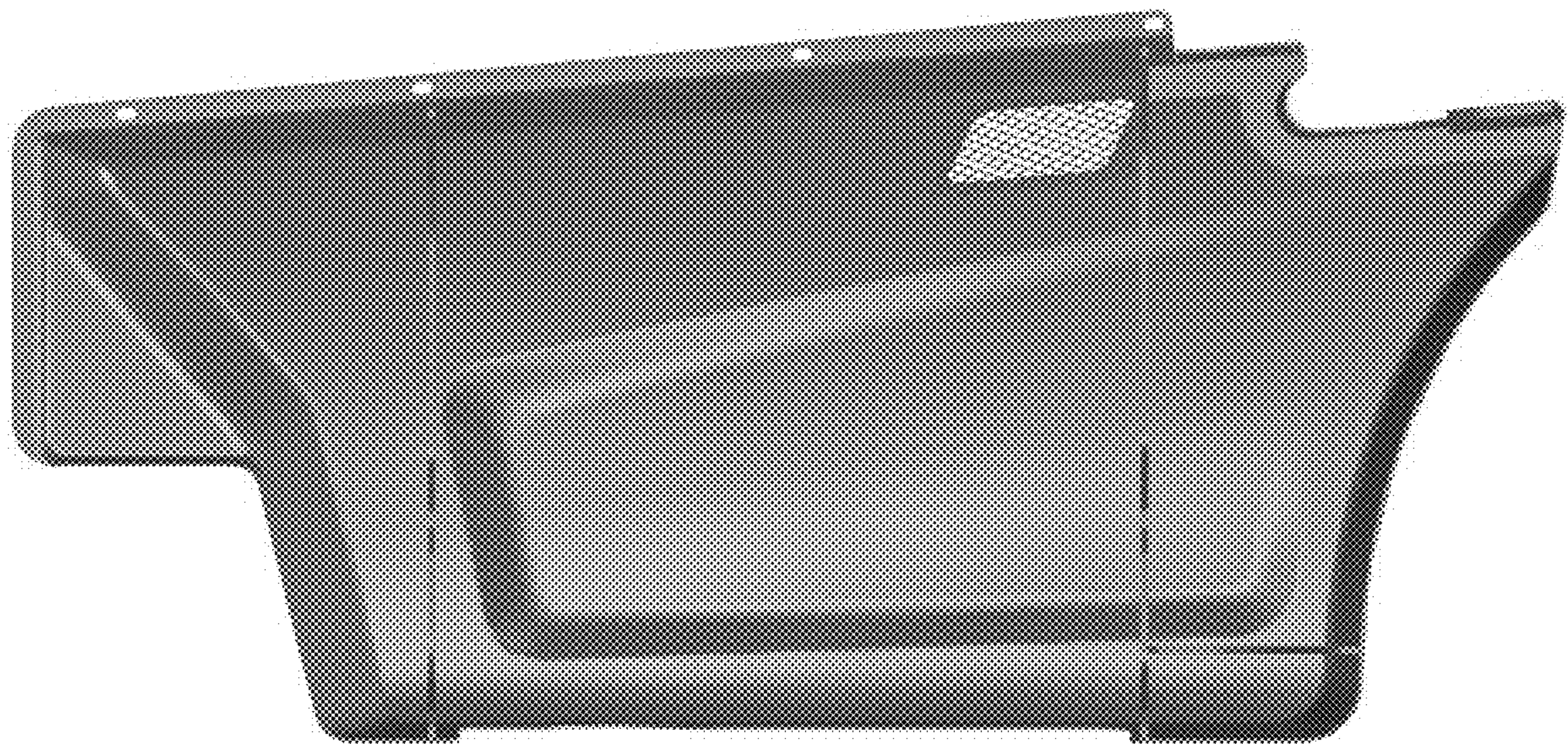


FIG. 5

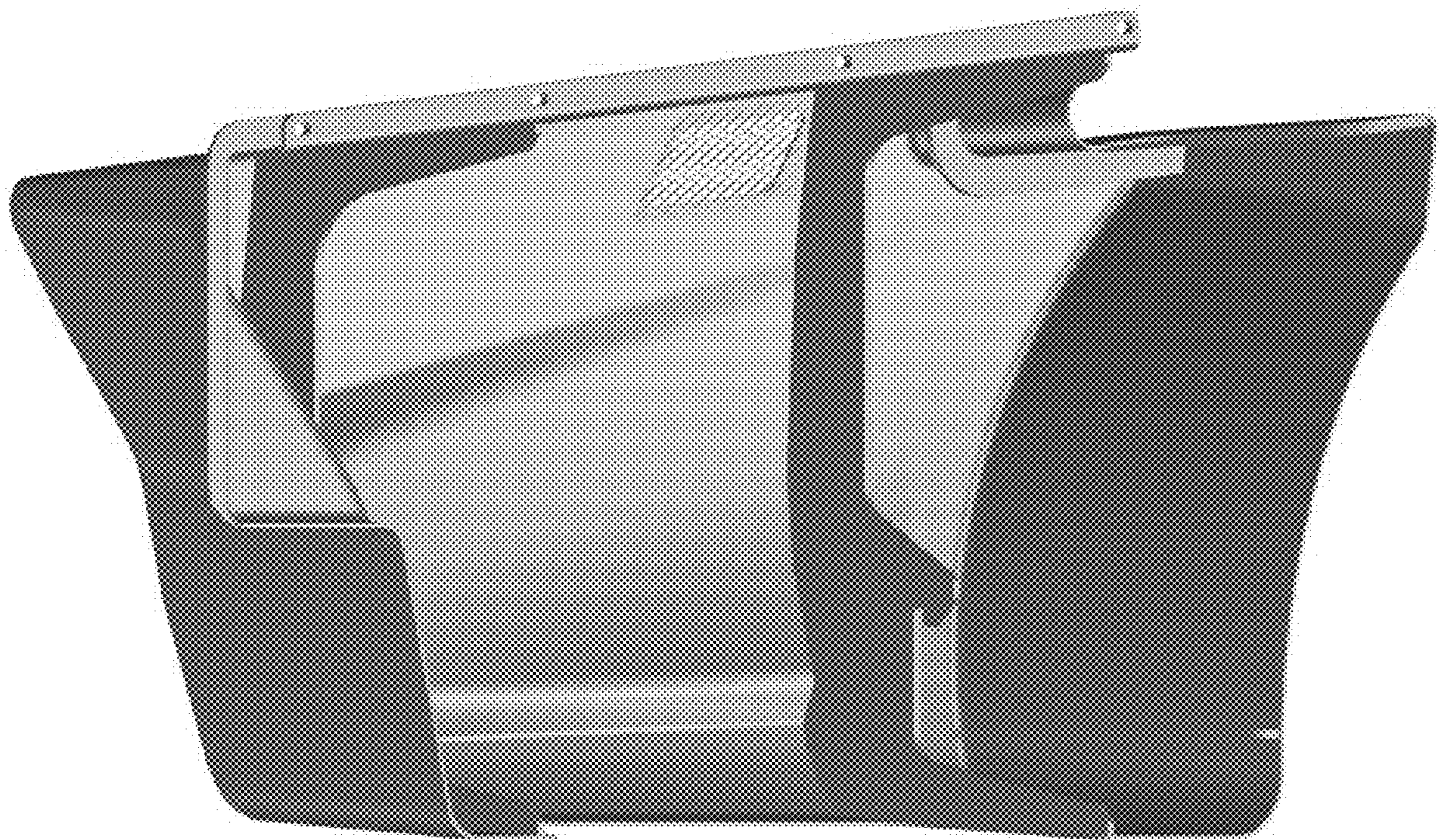


FIG. 6

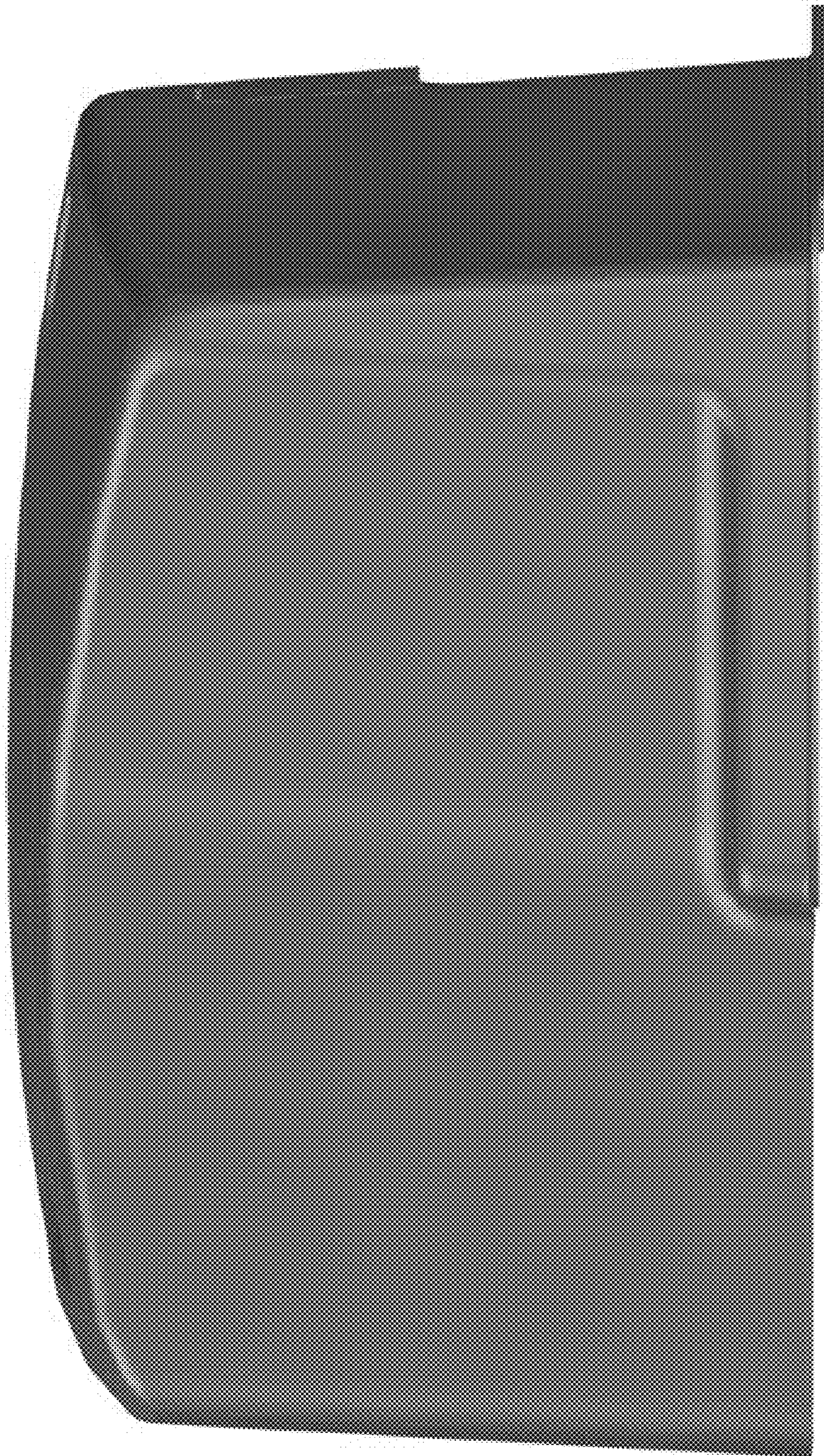


FIG. 7