



US00D901346S

(12) **United States Design Patent** (10) **Patent No.:** **US D901,346 S**  
**Burki** (45) **Date of Patent:** **\*\* Nov. 10, 2020**

(54) **SPOILER FOR MOTOR VEHICLE**  
(71) Applicant: **Dr. Ing. h.c. F. Porsche**  
**Aktiengesellschaft, Stuttgart (DE)**  
(72) Inventor: **Emiel Burki, Stuttgart (DE)**  
(73) Assignee: **Dr. Ing h.c. F. Porsche**  
**Aktiengesellschaft (DE)**  
(\*\*) Term: **15 Years**

D763,751 S 8/2016 Varga  
D764,994 S \* 8/2016 Jo ..... D12/196  
D813,773 S \* 3/2018 Cho ..... D12/196  
D829,145 S \* 9/2018 Meeker ..... D12/196  
D834,470 S \* 11/2018 Anderson ..... D12/169  
D841,532 S \* 2/2019 Koo ..... D12/169  
D842,182 S \* 3/2019 Lee ..... D12/190  
10,315,712 B2 \* 6/2019 Charpentier ..... B62D 35/007  
D878,990 S \* 3/2020 Park ..... D12/196  
2016/0303954 A1 \* 10/2016 Kawashima ..... B60J 5/107  
2018/0215422 A1 \* 8/2018 Hermann ..... B62D 35/007  
2018/0215423 A1 \* 8/2018 Hermann ..... B62D 35/007

(21) Appl. No.: **29/621,335**  
(22) Filed: **Oct. 6, 2017**  
(30) **Foreign Application Priority Data**

Apr. 7, 2017 (DE) ..... 40 2017 100 456

(51) **LOC (12) Cl.** ..... **12-16**  
(52) **U.S. Cl.**  
USPC ..... **D12/181**  
(58) **Field of Classification Search**  
USPC ..... D12/169, 190, 196, 181, 96, 99, 400,  
D12/182, 183, 184, 185, 191, 192, 195  
CPC ..... B62D 35/007; B60J 5/107  
See application file for complete search history.

(56) **References Cited**

**U.S. PATENT DOCUMENTS**

D449,573 S \* 10/2001 Won ..... D12/181  
D585,004 S \* 1/2009 Leclercq ..... D12/196  
D596,546 S \* 7/2009 Habib ..... D12/196  
D630,563 S \* 1/2011 Schneider ..... D12/196  
D659,615 S 5/2012 Varga  
D704,614 S \* 5/2014 Larson ..... D12/196  
D725,559 S 3/2015 Robinson  
D727,227 S 4/2015 Scheinhütte  
D731,935 S 6/2015 Robinson

**OTHER PUBLICATIONS**

Design U.S. Appl. No. 29/591,933, by Varga, filed Jan. 35, 2017.  
Design U.S. Appl. No. 29/613,579, by Scheinhütte et al., filed Aug. 11, 2017.

\* cited by examiner

*Primary Examiner* — Susan E Krakower  
*Assistant Examiner* — Jerry Shiuian-Hua Hsu  
(74) *Attorney, Agent, or Firm* — RatnerPrestia

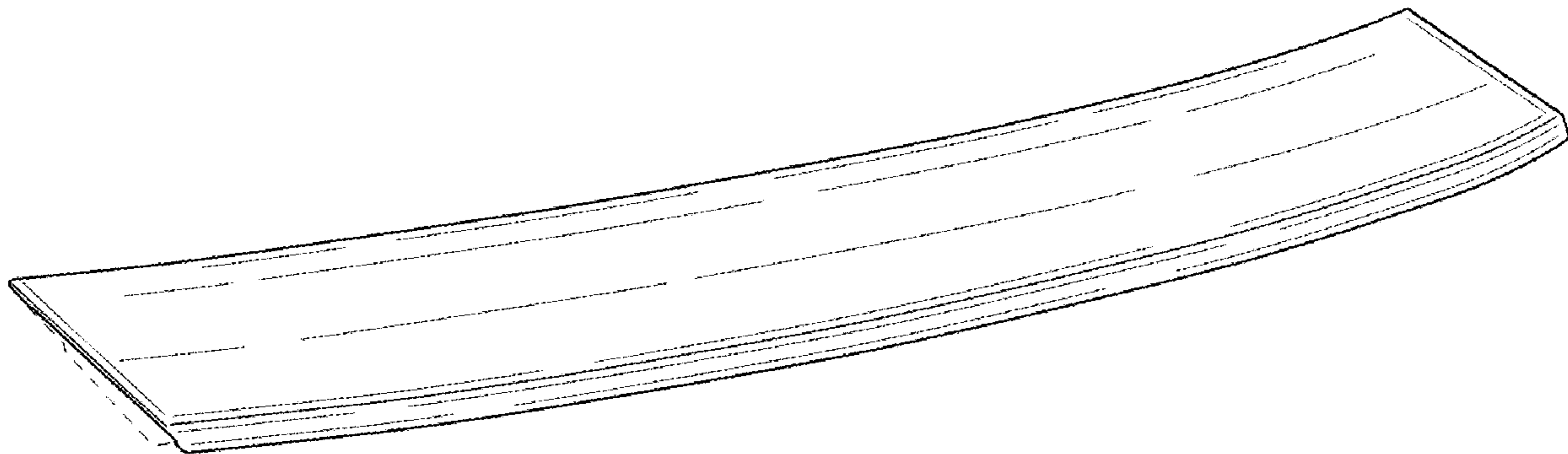
(57) **CLAIM**

The ornamental design for a spoiler for motor vehicle, as shown and described.

**DESCRIPTION**

FIG. 1 is a left side perspective view of a spoiler for motor vehicle, showing my new design;  
FIG. 2 is a front elevation view thereof;  
FIG. 3 is an enlarged left side elevation view thereof;  
FIG. 4 is an enlarged right side elevation view thereof; and,  
FIG. 5 is a top plan view thereof.  
The broken lines illustrate portions of the spoiler for motor vehicle and form no part of the claimed design.

**1 Claim, 3 Drawing Sheets**



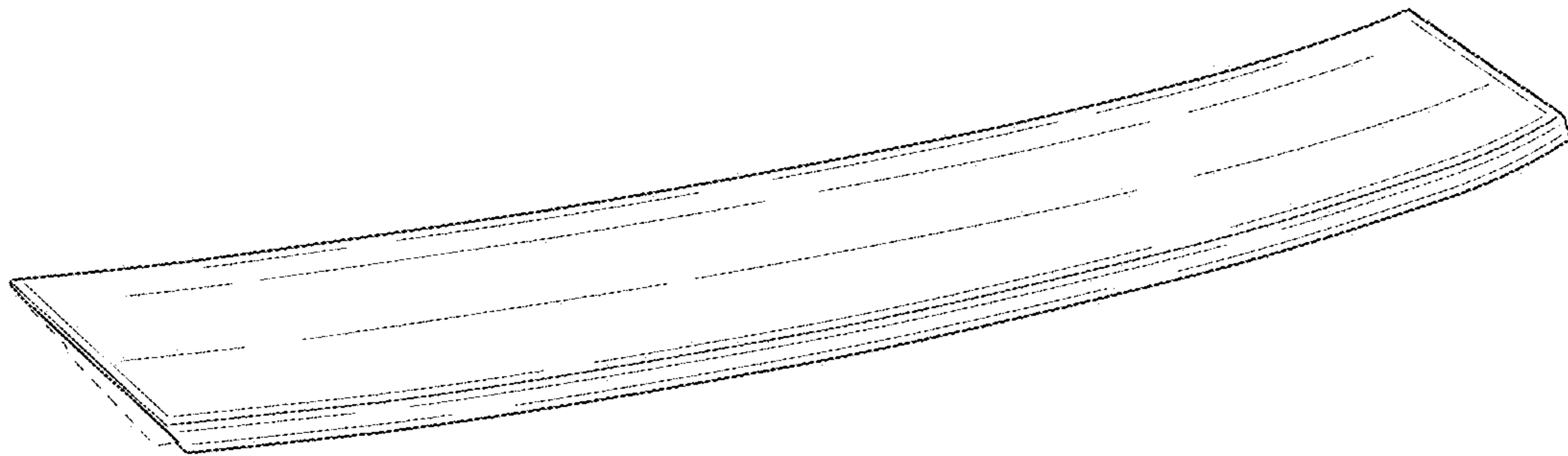


FIG. 1

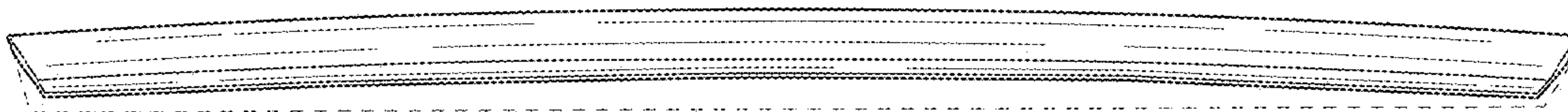


FIG. 2

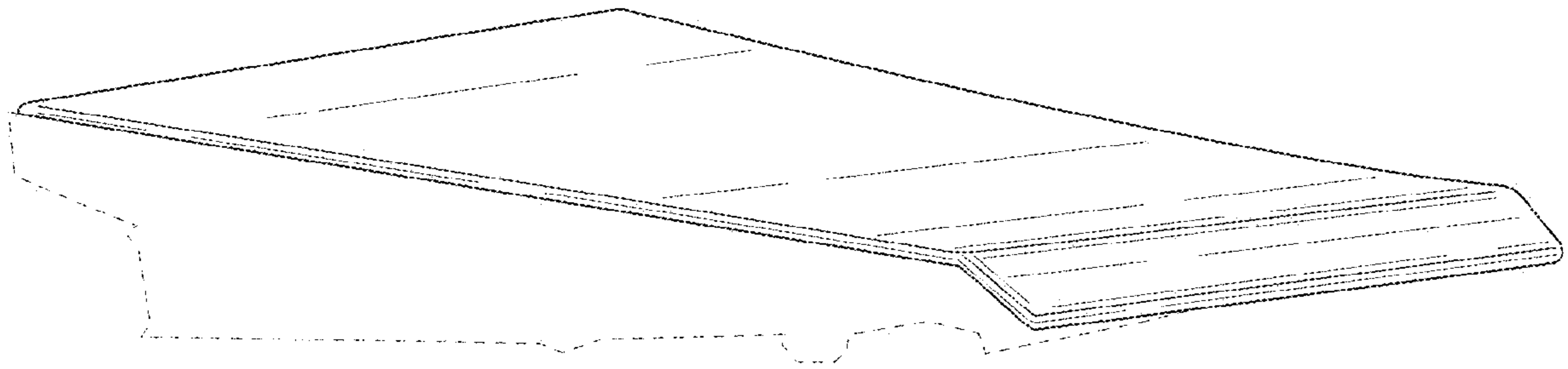


FIG. 3

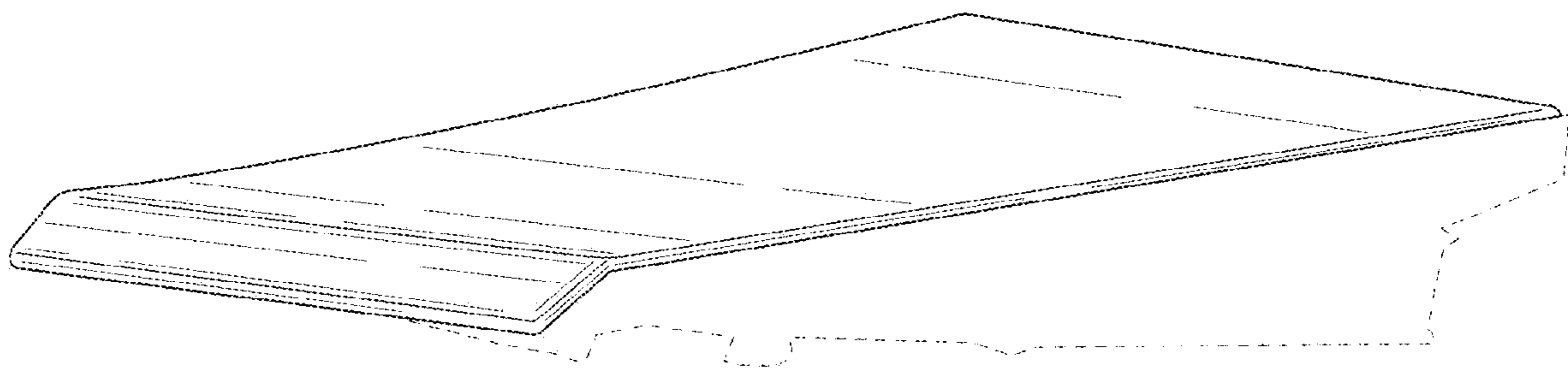


FIG. 4

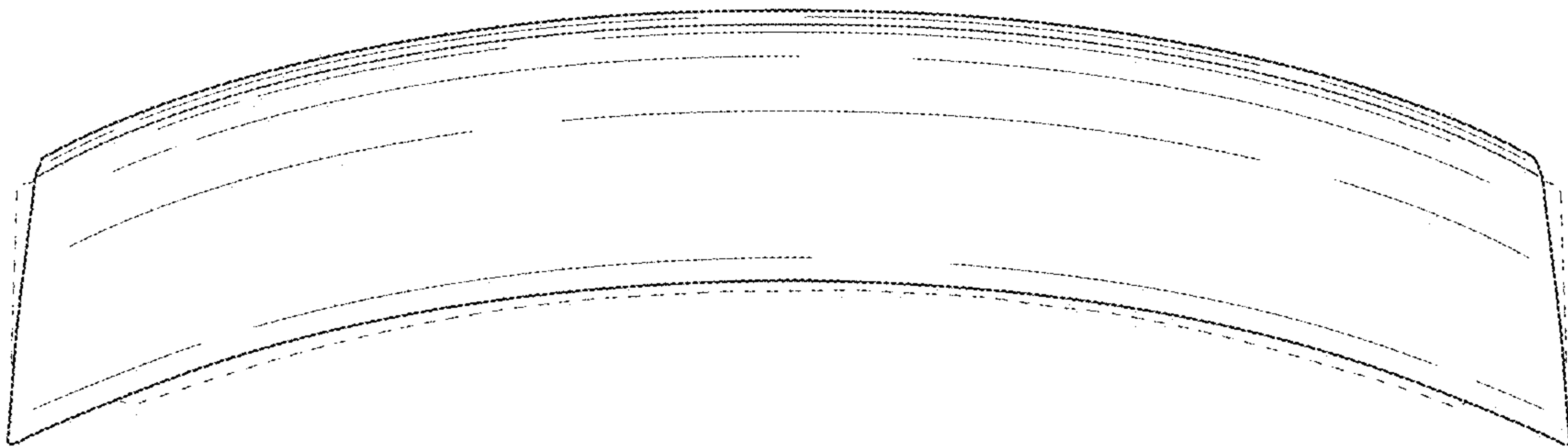


FIG. 5