



US00D901345S

(12) **United States Design Patent** (10) **Patent No.:** **US D901,345 S**
Salazar (45) **Date of Patent:** **** Nov. 10, 2020**

(54) **AERODYNAMIC BRAKE CALIPER**

D675,132 S * 1/2013 Colp D12/118
D675,551 S * 2/2013 Noborio D12/179
D680,043 S * 4/2013 Vloemans D12/180

(71) Applicant: **Nicholas M Salazar**, Parker, CO (US)

* cited by examiner

(72) Inventor: **Nicholas M Salazar**, Parker, CO (US)

Primary Examiner — Susan E Krakower

(**) Term: **15 Years**

Assistant Examiner — Jerry Shiuang-Hua Hsu

(21) Appl. No.: **29/689,196**

(74) *Attorney, Agent, or Firm* — Leyendecker & Lemire LLC

(22) Filed: **Apr. 28, 2019**

(57) **CLAIM**

(51) **LOC (12) Cl.** **12-16**

The ornamental design for an aerodynamic brake caliper, as shown and described.

(52) **U.S. Cl.**
USPC **D12/179**

DESCRIPTION

(58) **Field of Classification Search**
USPC D12/111, 117, 118, 179, 180
CPC B62L 1/06; B62L 1/12; B62L 1/16; B60T
13/741
See application file for complete search history.

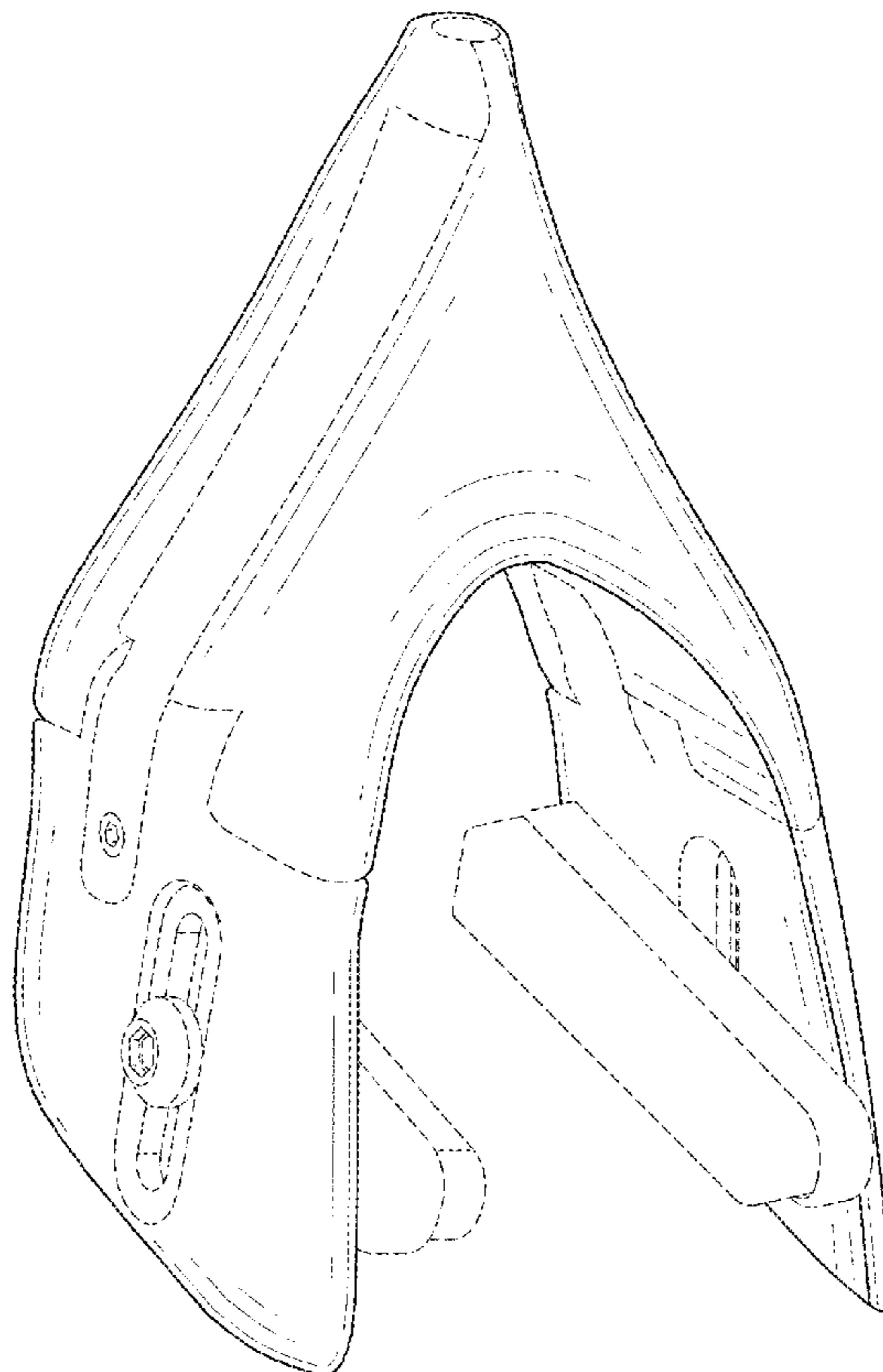
FIG. 1 is a front perspective view of an aerodynamic brake caliper according to the present invention.
FIG. 2 is a front elevation view of the aerodynamic brake caliper according to the present invention.
FIG. 3 is a left side elevation view of the aerodynamic brake caliper according to the present invention.
FIG. 4 is a right side elevation view of the aerodynamic brake caliper according to the present invention.
FIG. 5 is a back elevation view of the aerodynamic brake caliper according to the present invention.
FIG. 6 is a top plan view of the aerodynamic brake caliper according to the present invention; and,
FIG. 7 is a bottom plan view of the aerodynamic brake caliper according to the present invention.
The broken lines illustrate portions of the aerodynamic brake caliper that form no part of the claimed design.

(56) **References Cited**

U.S. PATENT DOCUMENTS

D269,424 S * 6/1983 Yoshigai D12/179
D269,867 S * 7/1983 Watanabe D12/179
D368,681 S * 4/1996 Behrens D12/118
D378,747 S * 4/1997 Behrens D12/118
D424,479 S * 5/2000 Vignocchi D12/118
6,178,367 B1 * 1/2001 Li B60T 13/741
188/24.11
6,412,605 B2 * 7/2002 Campagnolo B62L 1/12
188/24.11
D562,746 S * 2/2008 Wehage D12/179

1 Claim, 7 Drawing Sheets



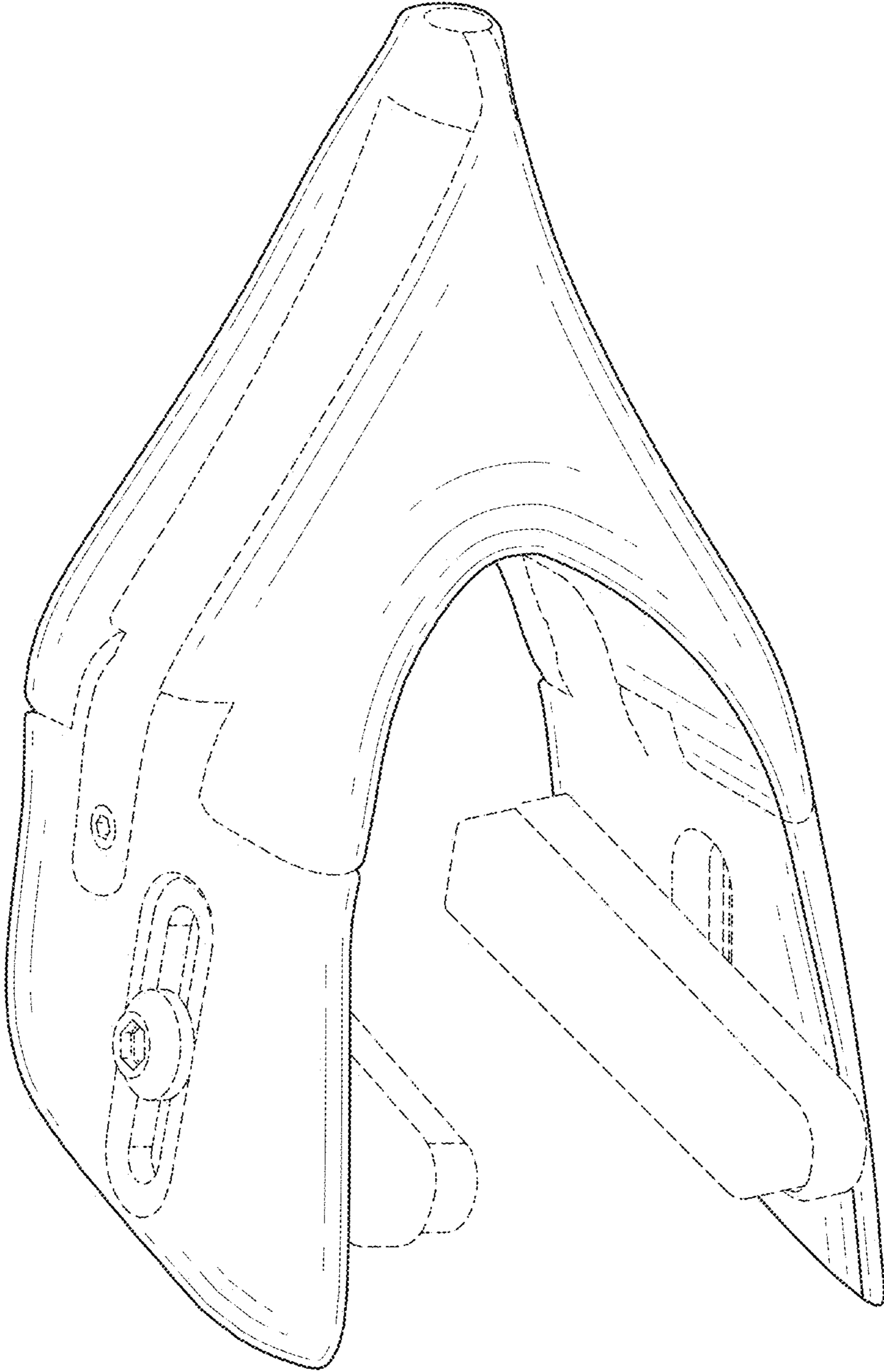


FIG. 1

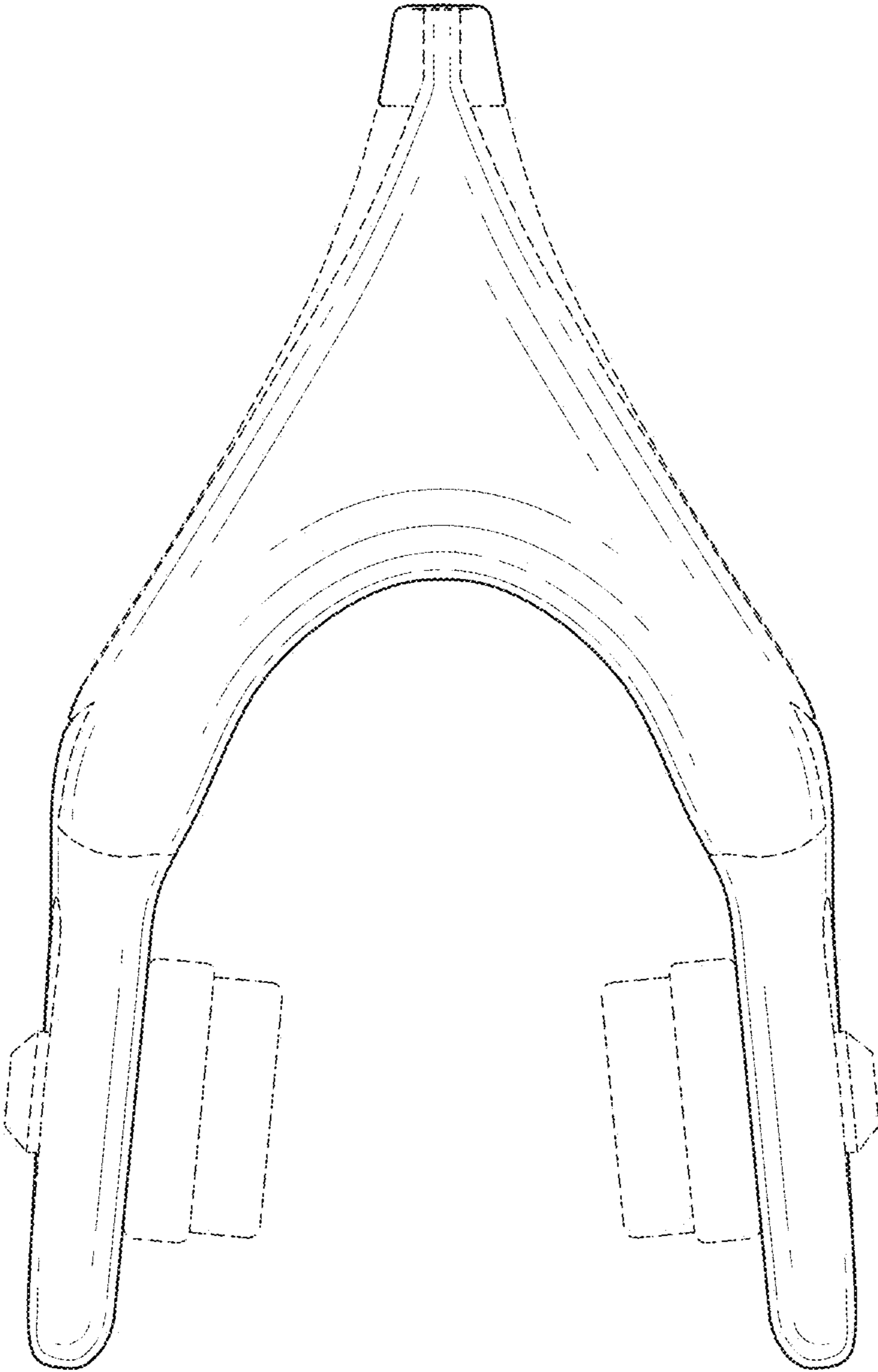


FIG. 2

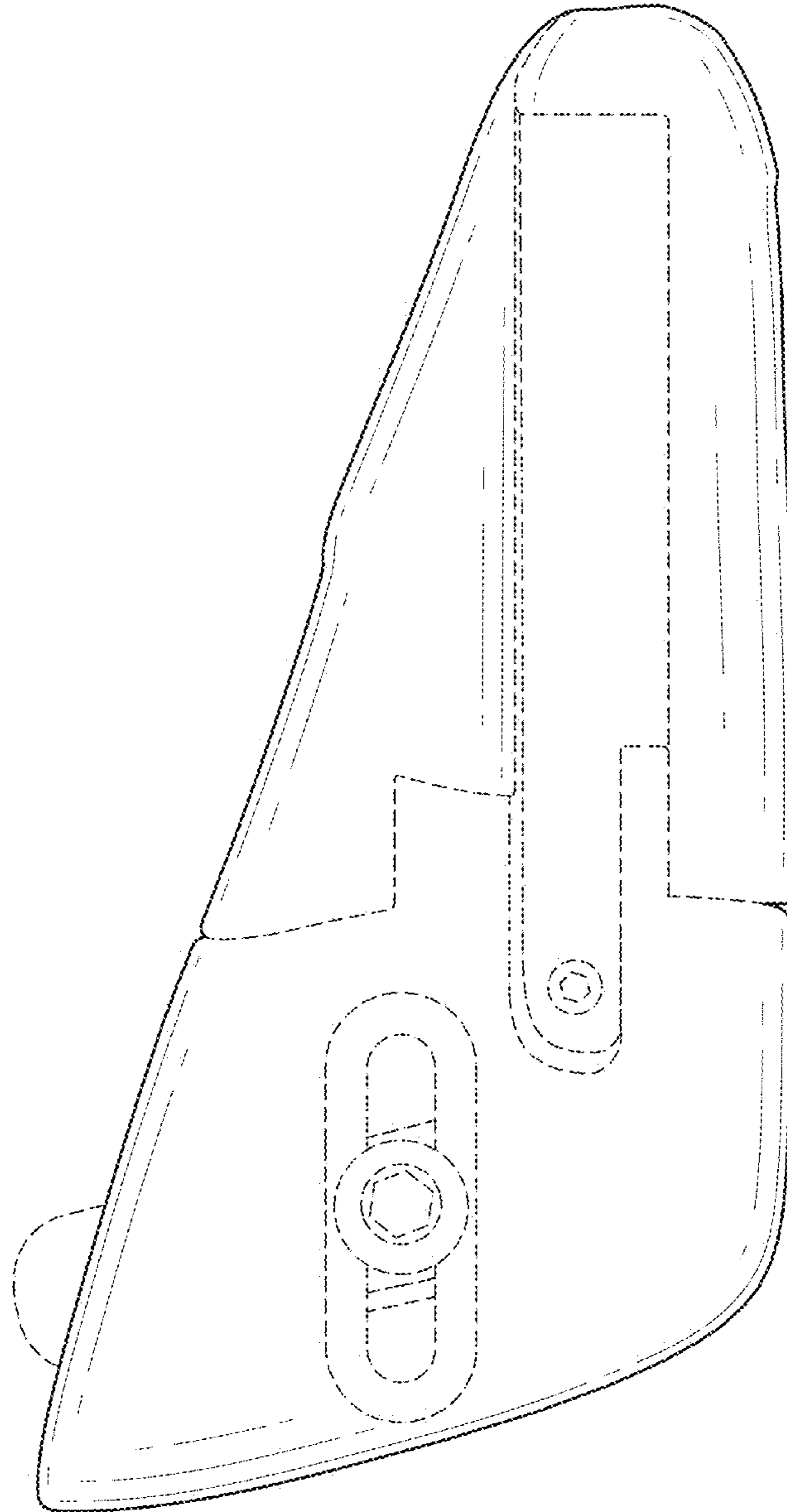


FIG. 3

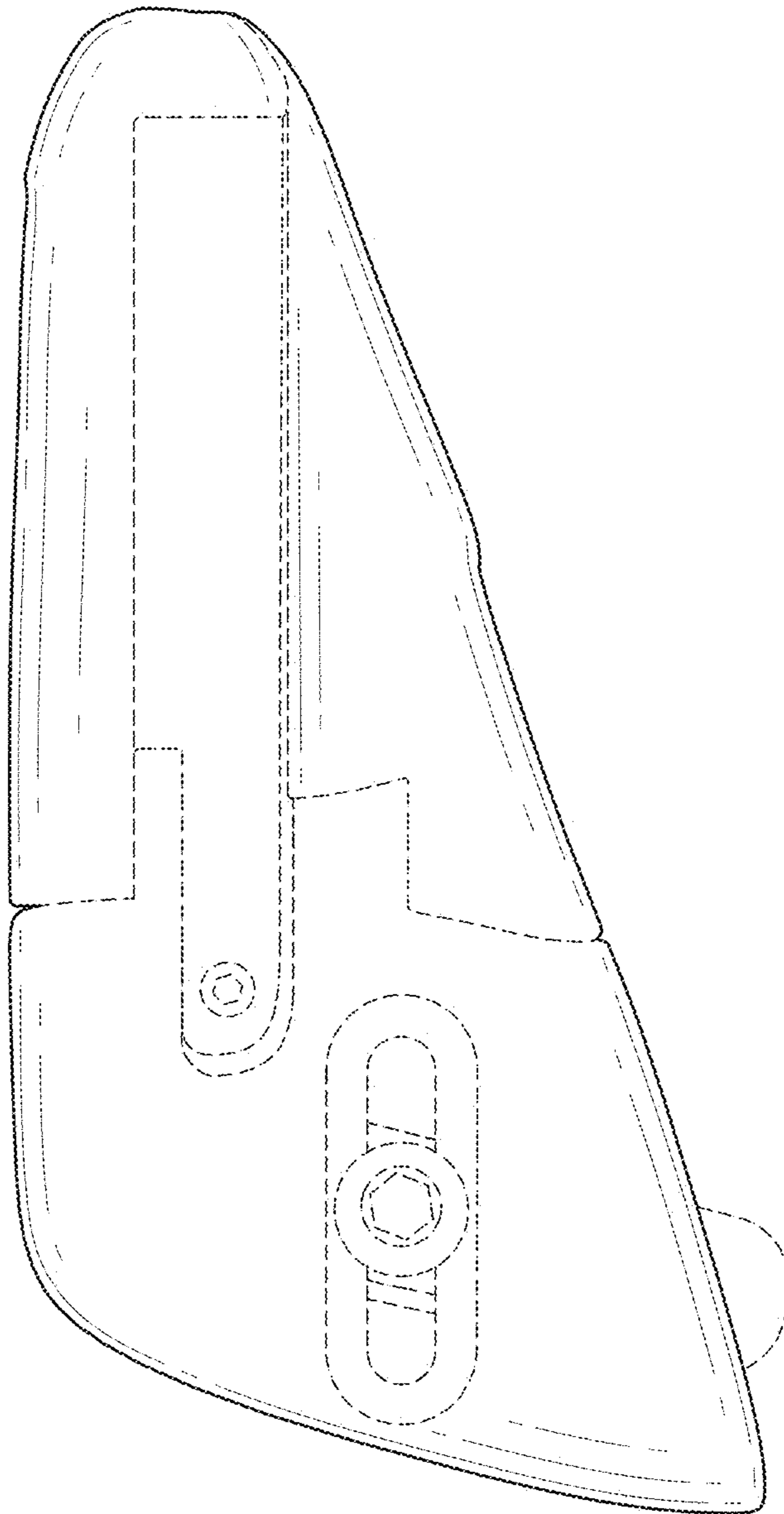


FIG. 4

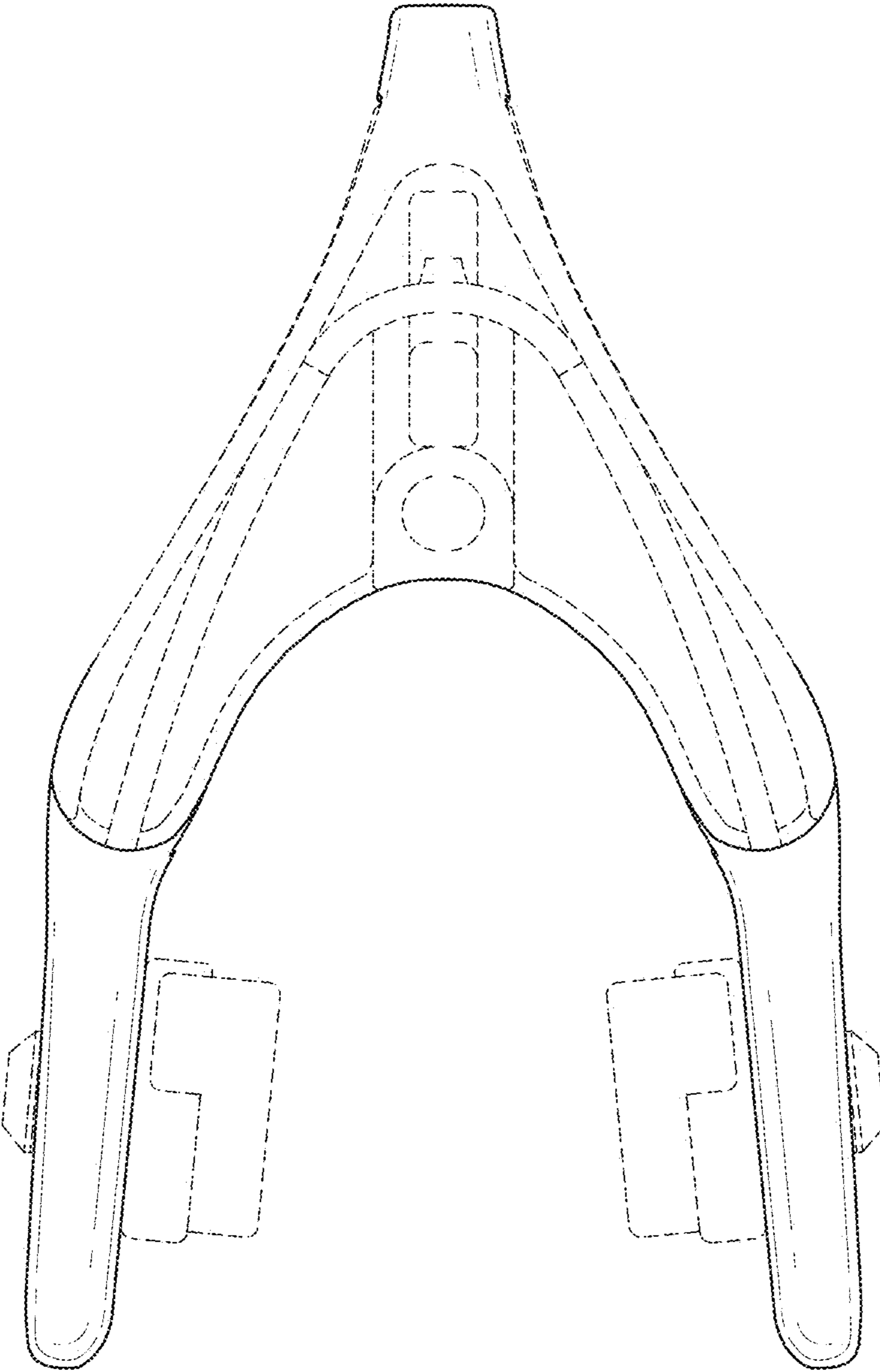


FIG. 5

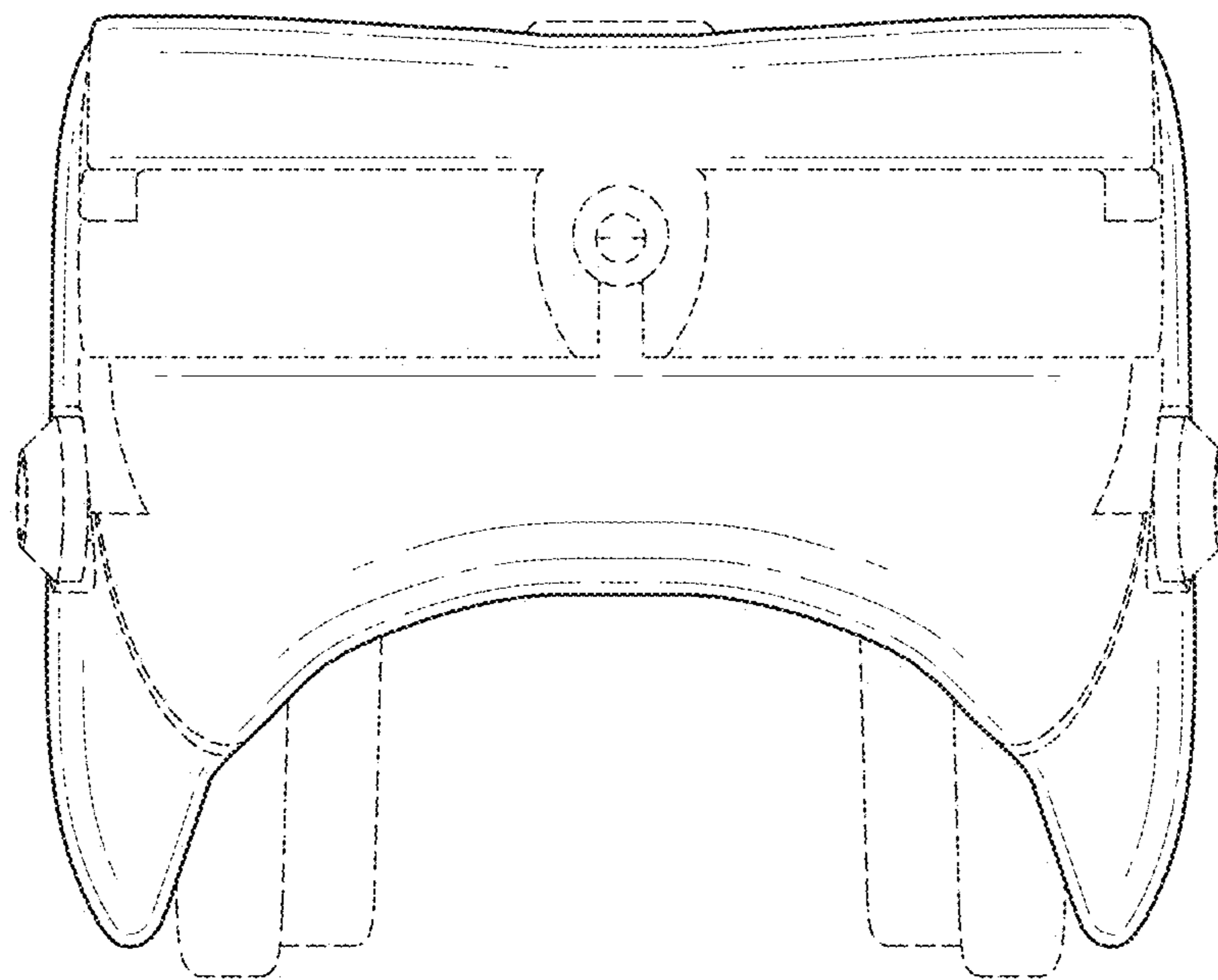


FIG. 6

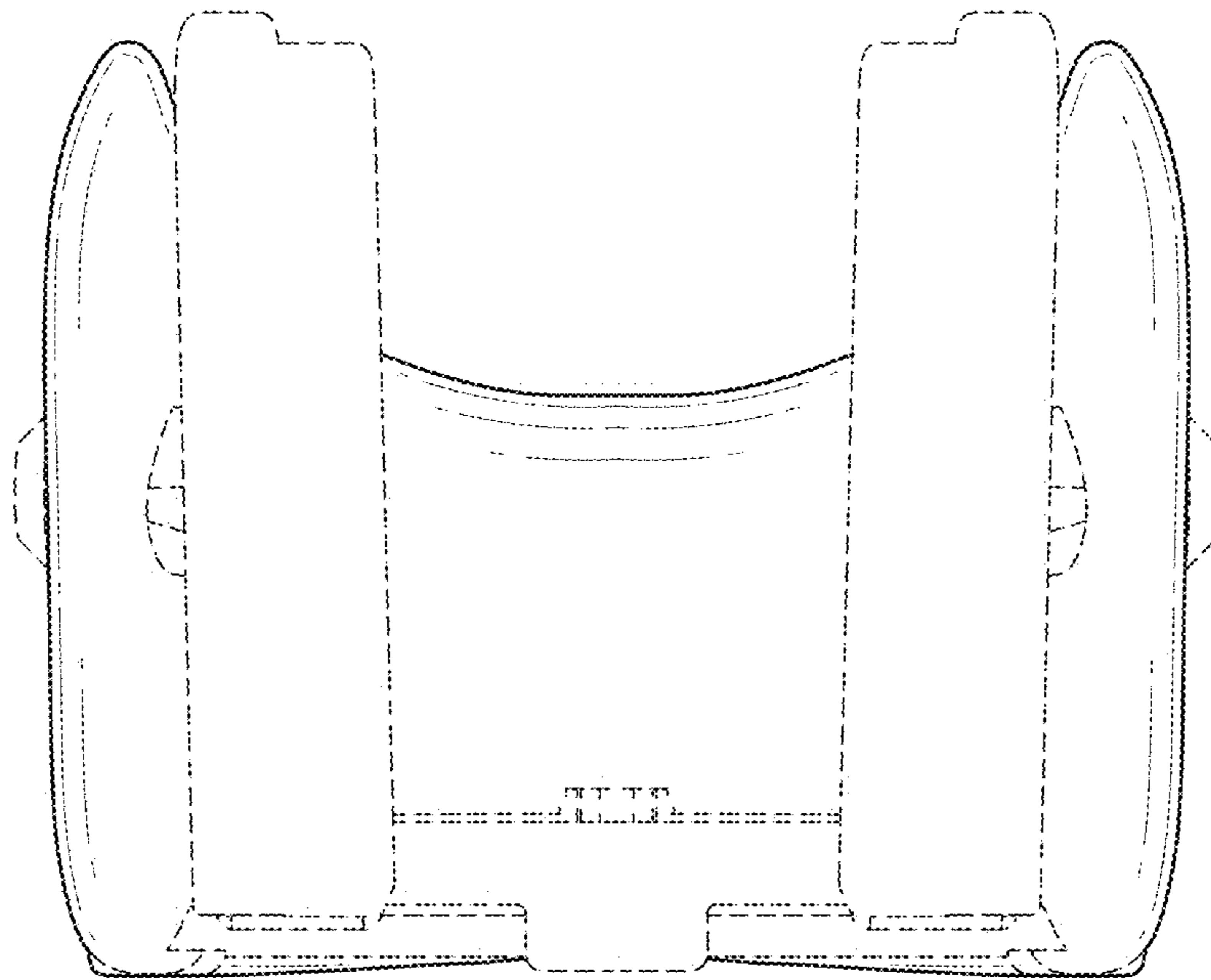


FIG. 7