



US00D901344S

(12) **United States Design Patent** (10) **Patent No.:** **US D901,344 S**  
**Kim et al.** (45) **Date of Patent:** **\*\* Nov. 10, 2020**

(54) **FRONT BUMPER COVER FOR VEHICLES**

(56) **References Cited**

(71) Applicants: **HYUNDAI MOTOR COMPANY**,  
Seoul (KR); **KIA MOTORS**  
**CORPORATION**, Seoul (KR)

U.S. PATENT DOCUMENTS

D817,826 S *	5/2018	Seo .....	D12/169
D845,190 S *	4/2019	Zipfel .....	D12/169
D850,333 S *	6/2019	Lee .....	D12/169
D873,187 S *	1/2020	Beaven .....	D12/169
D877,001 S *	3/2020	Izard .....	D12/169
D880,380 S *	4/2020	Battams .....	D12/169
D885,265 S *	5/2020	Zipfel .....	D12/169
D889,330 S *	7/2020	Patel .....	D12/169
D890,645 S *	7/2020	Owens .....	D12/169

(72) Inventors: **Su-Ji Kim**, Goyang-si (KR);  
**Duck-Hyun Hwang**, Seoul (KR)

(73) Assignees: **Hyundai Motor Company**, Seoul  
(KR); **Kia Motors Corporation**, Seoul  
(KR)

\* cited by examiner

(\*\*) Term: **15 Years**

*Primary Examiner* — George D. Kirschbaum

(21) Appl. No.: **35/507,559**

(74) *Attorney, Agent, or Firm* — Mintz Levin Cohn Ferris  
Glovsky and Popeo, P.C.; Peter F. Corless; Carolina E.  
Säve

(22) Filed: **Feb. 20, 2019**

(57) **CLAIM**

The ornamental design for a front bumper cover for vehicles,  
as shown and described.

(80) **Hague Agreement Data**

Int. Filing Date: **Feb. 20, 2019**  
Int. Reg. No.: **DM/203433**  
Int. Reg. Date: **Feb. 20, 2019**  
Int. Reg. Pub. Date: **Oct. 25, 2019**

**DESCRIPTION**

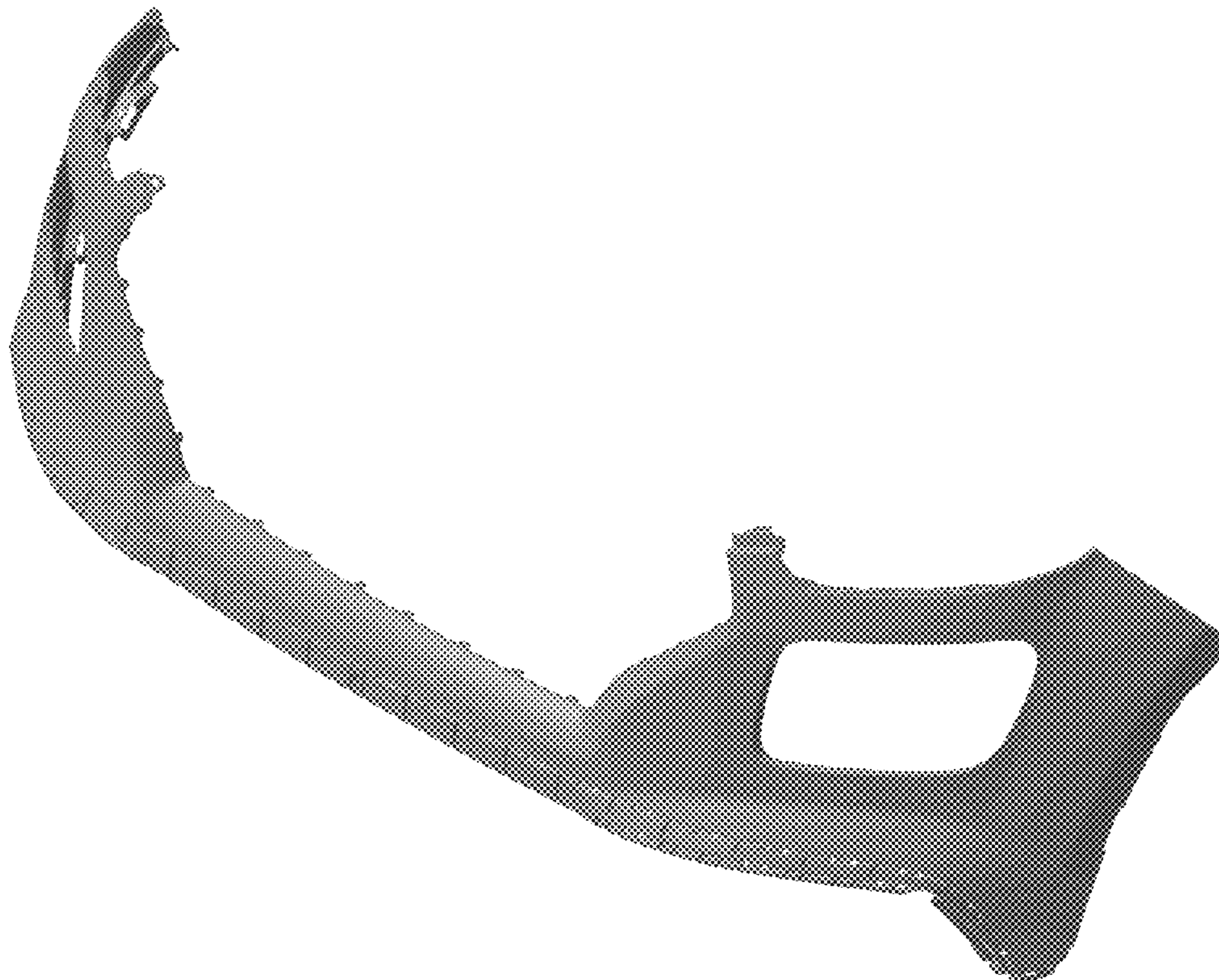
(51) **LOC (12) Cl.** ..... **12-16**

(52) **U.S. Cl.**  
USPC ..... **D12/169**

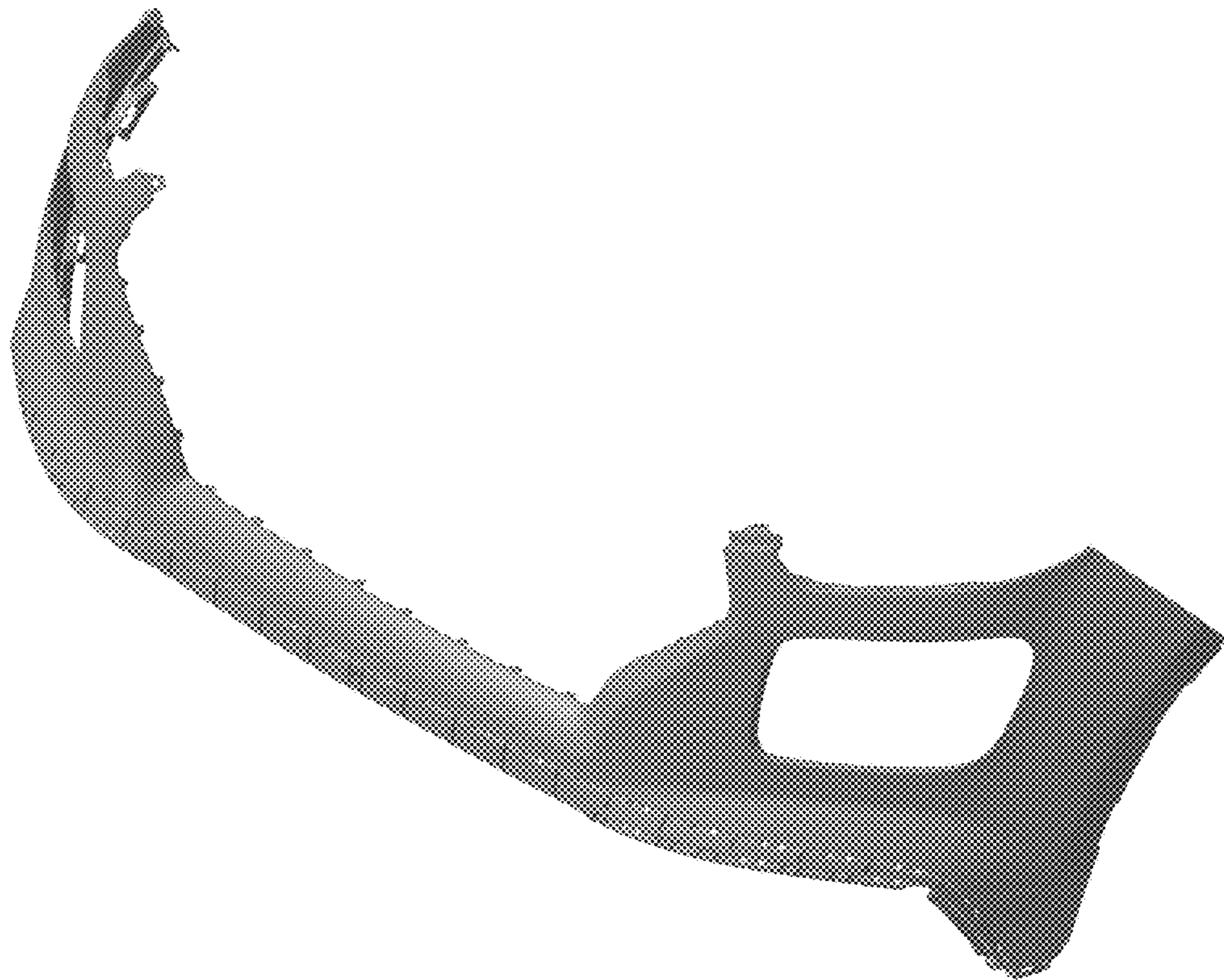
(58) **Field of Classification Search**  
USPC ..... D12/169  
See application file for complete search history.

- 1. Front bumper cover for vehicles
- 1.1 : Perspective
- 1.2 : Front
- 1.3 : Back
- 1.4 : Left
- 1.5 : Right
- 1.6 : Top
- 1.7 : Bottom

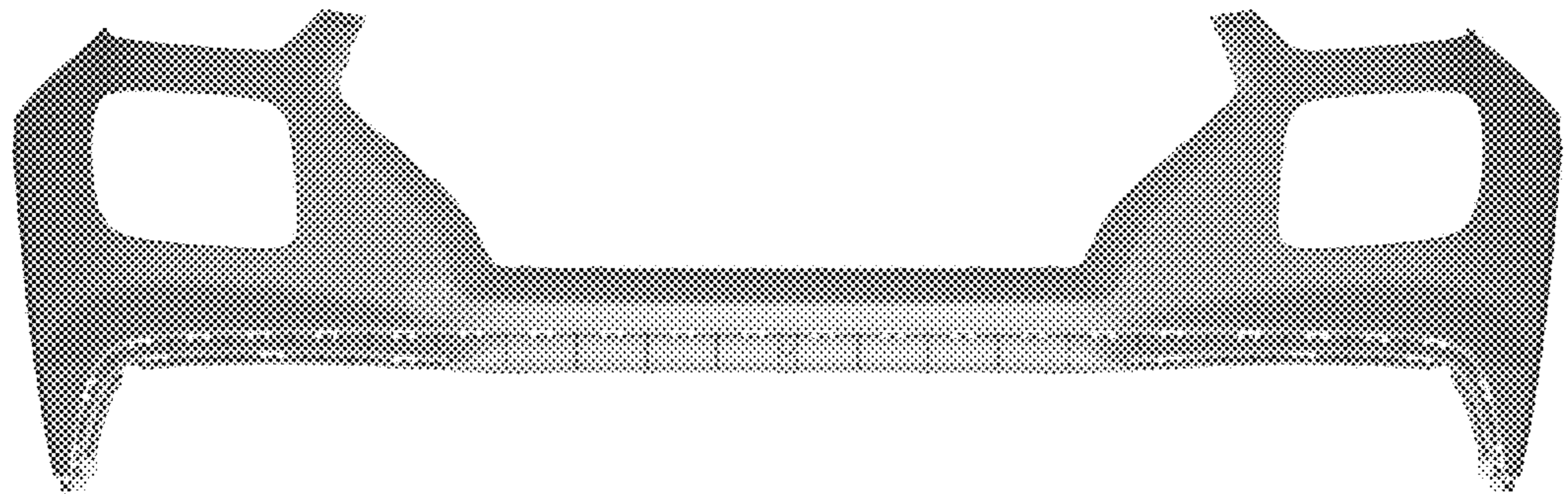
**1 Claim, 7 Drawing Sheets**



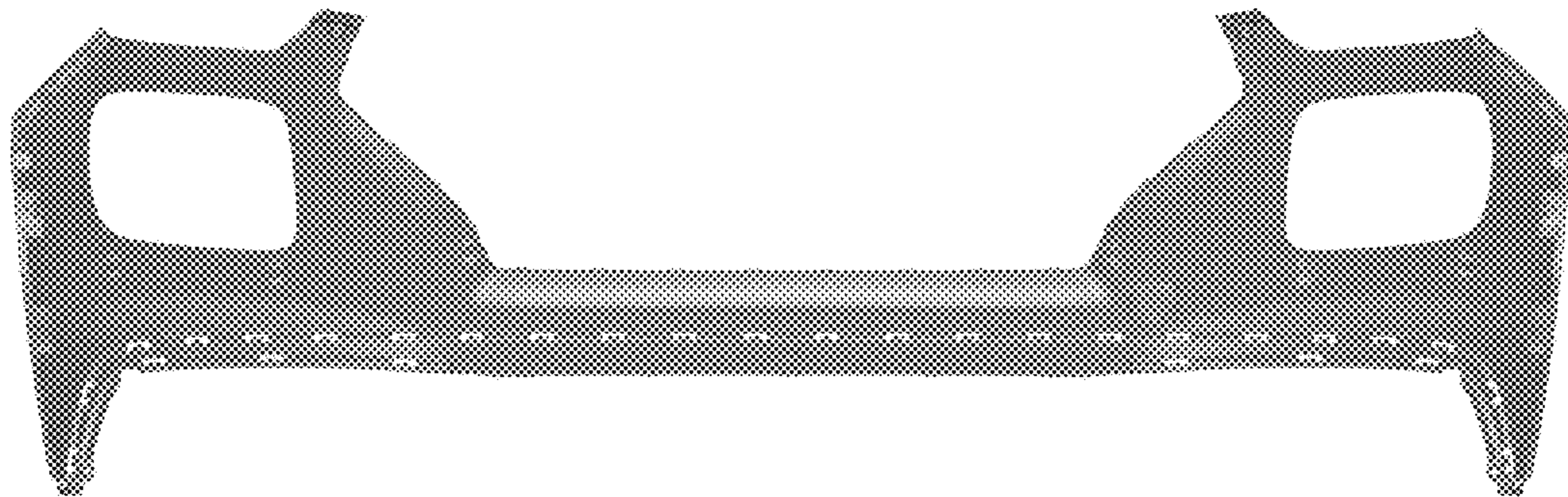
1.1



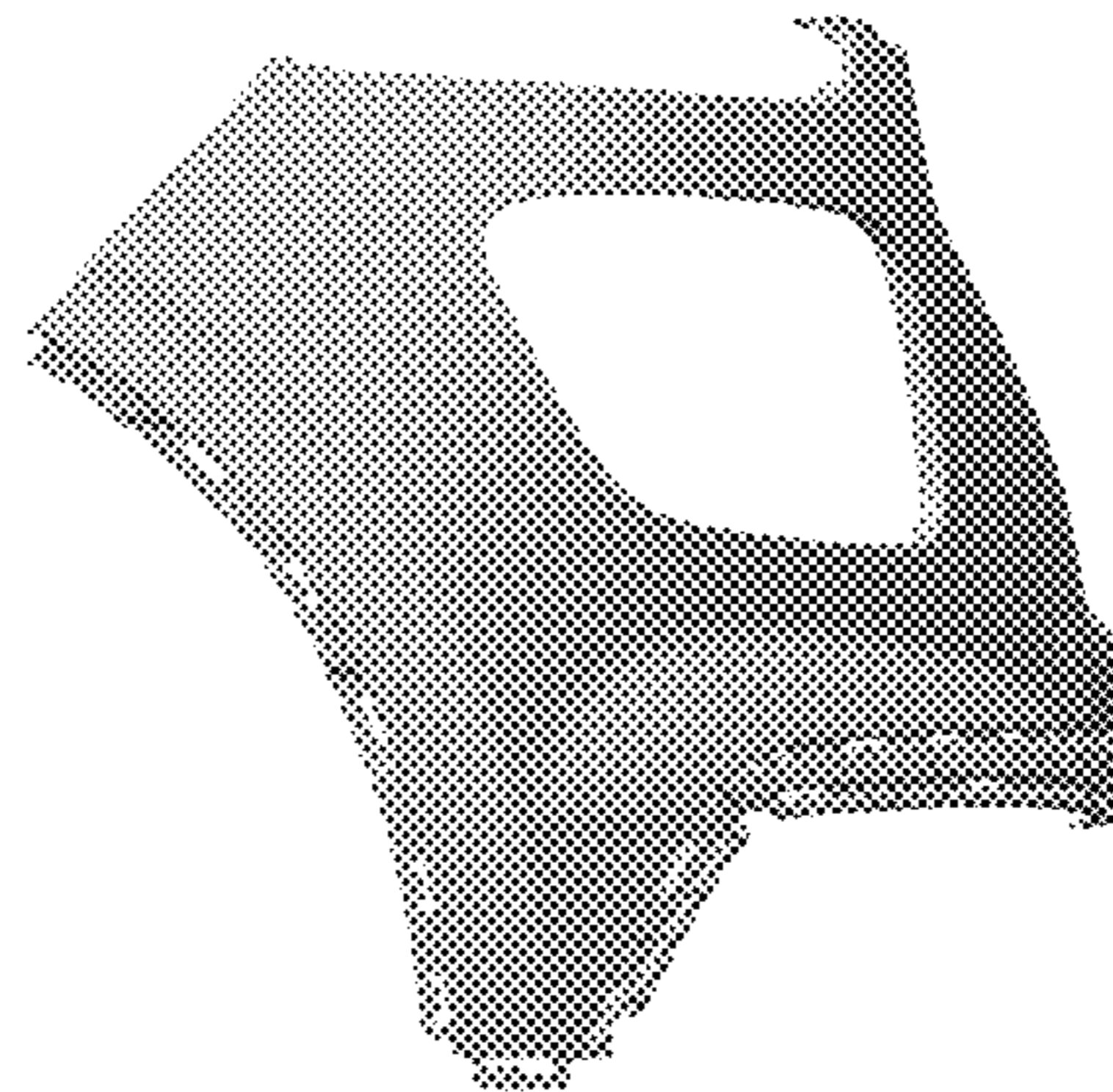
1.2



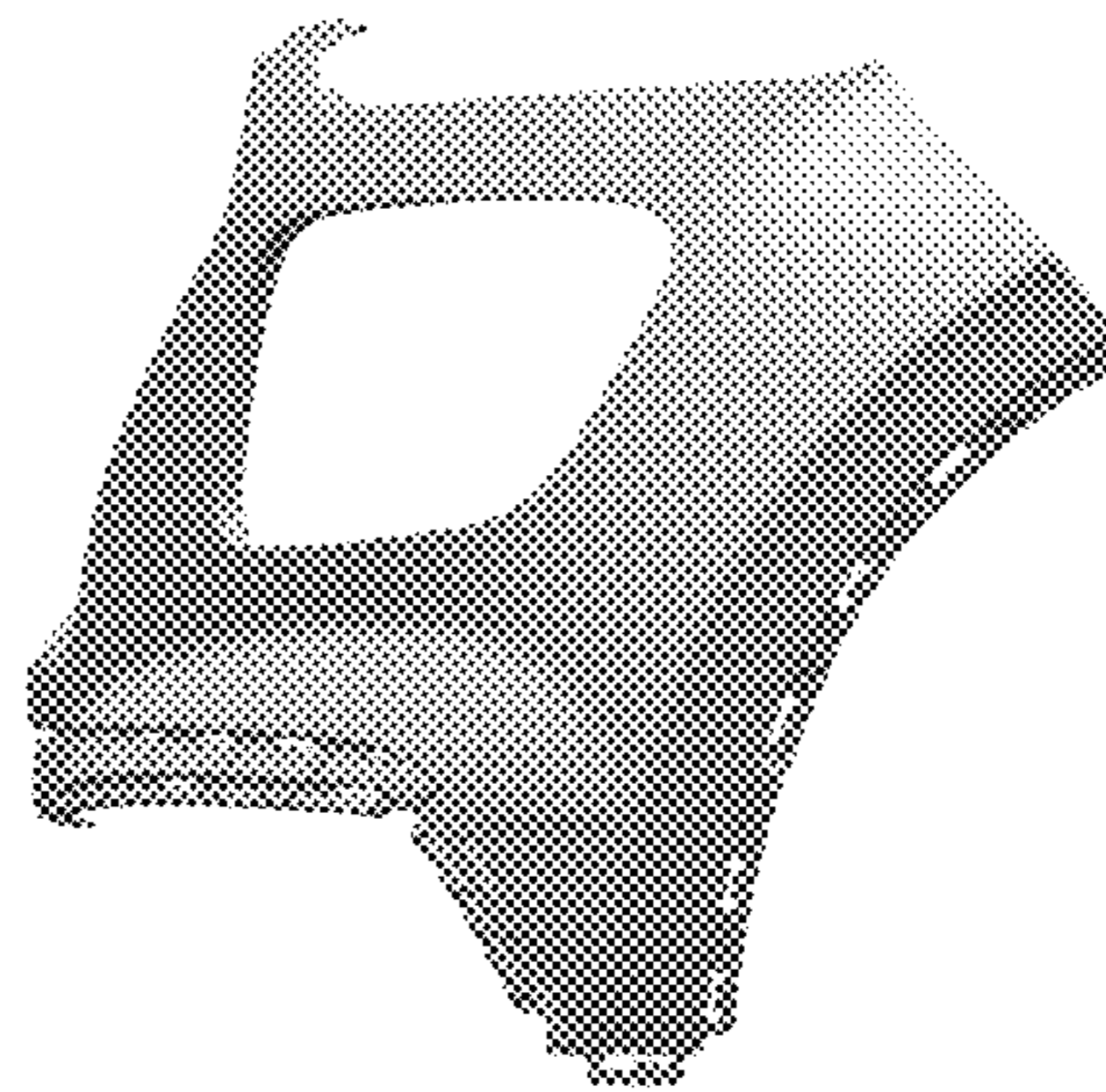
1.3



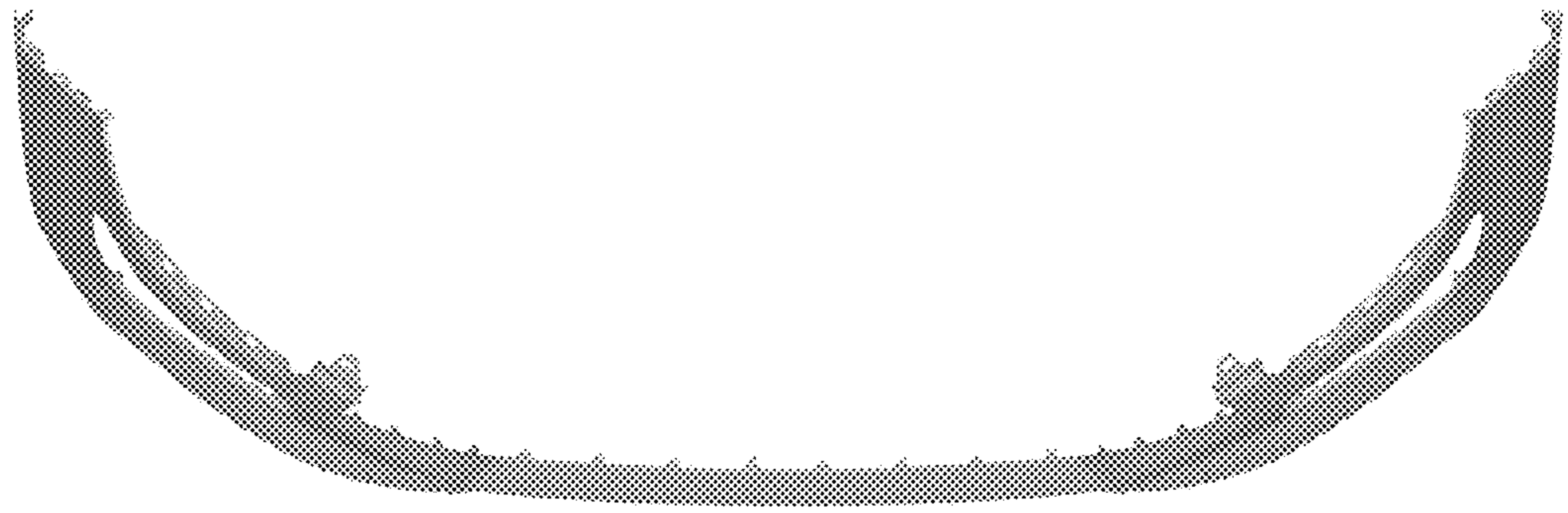
1.4



1.5



1.6



1.7

