



US00D901343S

(12) **United States Design Patent** (10) **Patent No.:** **US D901,343 S**
Bucher et al. (45) **Date of Patent:** **** Nov. 10, 2020**

(54) **VEHICLE REAR BUMPER COVER**

(71) Applicant: **Ford Global Technologies, LLC**,
Dearborn, MI (US)

(72) Inventors: **George Bucher**, Dearborn, MI (US);
Dean Carbis, Bloomfield Hills, MI
(US); **Steven Gilmore**, Farmington
Hills, MI (US)

(73) Assignee: **Ford Global Technologies, LLC**,
Dearborn, MI (US)

(**) Term: **15 Years**

(21) Appl. No.: **29/543,700**

(22) Filed: **Oct. 27, 2015**

(51) **LOC (12) Cl.** **12-08**

(52) **U.S. Cl.**
USPC **D12/169**

(58) **Field of Classification Search**
USPC D12/86-92, 163-172; 293/102-155;
296/35.2, 193.09, 193.1, 203.02
CPC B60R 19/02; B60R 19/023; B60R 19/18;
B60R 19/24; B60R 19/44; B60R 19/48;
B60R 19/56; B60R 2019/527; B60R
2019/1886
See application file for complete search history.

(56) **References Cited**

U.S. PATENT DOCUMENTS

D501,167 S	1/2005	Otto et al.	
D558,658 S	1/2008	Leclercq	
D580,316 S	11/2008	Gueler et al.	
D580,317 S	11/2008	Gueler et al.	
D580,330 S	11/2008	Gueler et al.	
D599,265 S	9/2009	Gueler et al.	
D624,856 S *	10/2010	Iwauchi	D12/169
D637,122 S *	5/2011	Lamm	D12/169
D644,575 S	9/2011	Messale	
D644,576 S	9/2011	Messale	

D644,577 S *	9/2011	Messale	D12/169
D644,578 S	9/2011	Messale	
D647,835 S	11/2011	Sowa et al.	
D663,665 S	7/2012	Hakamata et al.	
D669,826 S *	10/2012	Svensson	D12/169
D678,821 S	3/2013	Ikeda et al.	
D681,529 S	5/2013	Minami et al.	
8,567,841 B2	10/2013	Ginestet et al.	
D692,798 S	11/2013	Thurber	

(Continued)

OTHER PUBLICATIONS

Bob Nagy <http://www.kbb.com/car-news/all-the-latest/2017-Ford-escape-spied/2000012056> 2017 Ford Escape spied, dated May 15, 2015.

(Continued)

Primary Examiner — Christian P. McLean

(74) *Attorney, Agent, or Firm* — Brooks Kushman P.C.;
Michael Spenner

(57) **CLAIM**

The ornamental design for a vehicle rear bumper cover, as shown and described.

DESCRIPTION

FIG. 1 is a top left perspective view of a left vehicle rear bumper cover. The novel design also includes an embodiment of a right vehicle rear bumper cover which is mirror symmetrical to the embodiment of FIGS. 1-9, and is therefore not separately illustrated.

FIG. 2 is a bottom front perspective view thereof;

FIG. 3 is a top rear perspective view thereof;

FIG. 4 is a front elevational view thereof;

FIG. 5 is a rear elevational view thereof;

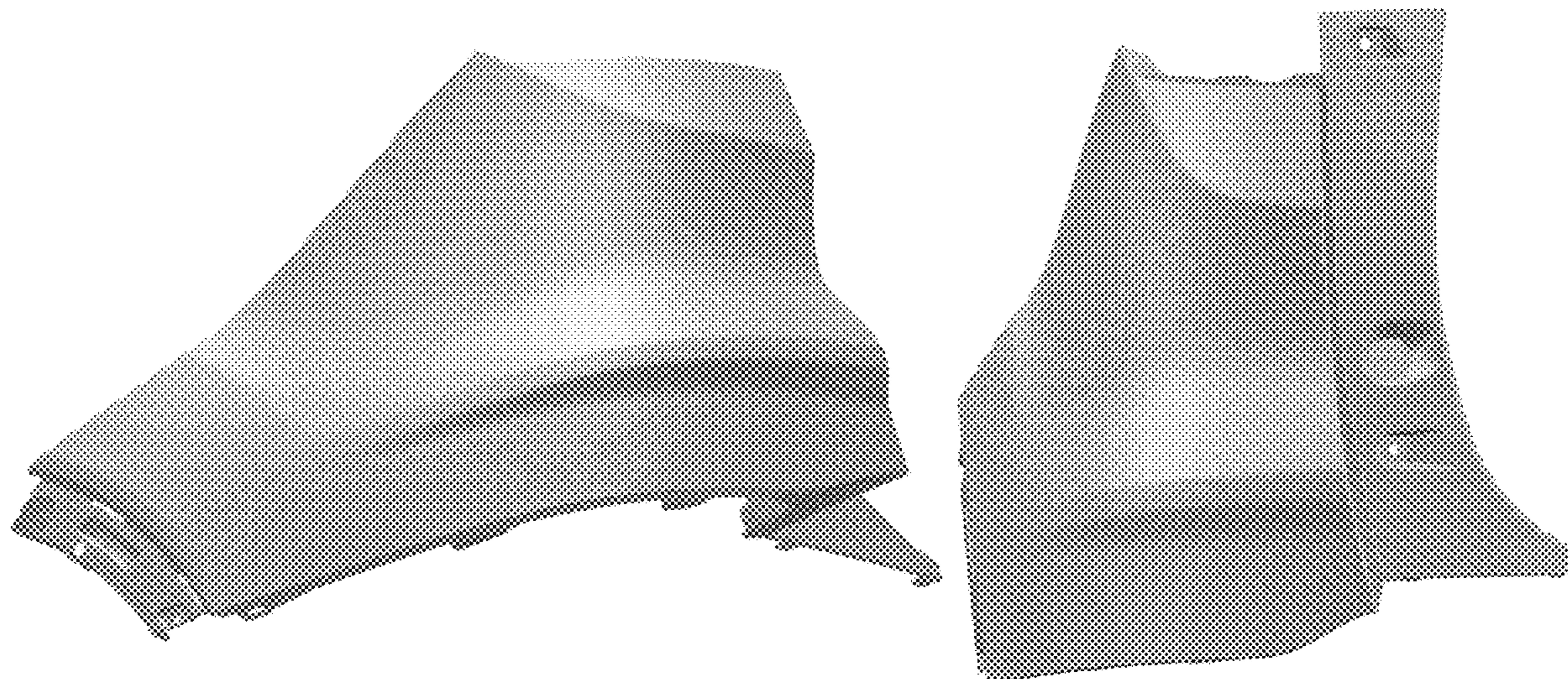
FIG. 6 is a left side elevational view thereof;

FIG. 7 is a right side elevational view thereof;

FIG. 8 is a top plan view thereof; and,

FIG. 9 is a bottom plan view thereof.

1 Claim, 9 Drawing Sheets



(56)

References Cited

U.S. PATENT DOCUMENTS

D695,180 S 12/2013 Hildebrand et al.
 D696,999 S 1/2014 Suga et al.
 D698,717 S 2/2014 Kobayashi
 D699,656 S 2/2014 Watabe
 D702,158 S * 4/2014 Borkert D12/169
 D706,692 S 6/2014 Wheel et al.
 D717,696 S 11/2014 Thole et al.
 D718,695 S 12/2014 Galante et al.
 D721,625 S * 1/2015 George D12/169
 D722,282 S 2/2015 Loeb
 D724,493 S 3/2015 Kobayashi
 D726,602 S * 4/2015 Rupar D12/169
 D726,615 S 4/2015 Wolff et al.
 D728,424 S 5/2015 Rupar et al.
 D732,432 S 6/2015 Aengenheyster
 D732,433 S 6/2015 Aengenheyster
 RE45,623 E 7/2015 Galante et al.
 D733,622 S * 7/2015 Rupar D12/169
 D733,630 S 7/2015 Ahn et al.
 D736,128 S 8/2015 Blanski et al.
 D736,686 S 8/2015 Mueller-Stolz
 D738,802 S 9/2015 Mueller-Stolz
 D741,223 S 10/2015 Kim et al.
 D741,224 S 10/2015 Rupar et al.
 D741,752 S 10/2015 Messale et al.
 D748,544 S * 2/2016 Nissl D12/169

D749,471 S * 2/2016 Nakahara D12/169
 D749,480 S 2/2016 Yu et al.
 D751,011 S * 3/2016 Behmer D12/169
 D751,014 S 3/2016 Wolff et al.
 D754,040 S 4/2016 Varga
 D761,705 S * 7/2016 Song D12/169
 D812,530 S * 3/2018 Bucher D12/169
 D818,401 S * 5/2018 Bridan D12/169
 D841,547 S * 2/2019 Zipfel D12/196
 D848,911 S * 5/2019 De Leon D12/169
 D861,550 S * 10/2019 Li D12/169
 D867,234 S * 11/2019 Peplowski D12/169
 D867,940 S * 11/2019 Li D12/169
 D887,323 S * 6/2020 Zipfel D12/169
 2012/0306231 A1 12/2012 Ginestet et al.

OTHER PUBLICATIONS

Mark McNabb <http://www.topspeed.com/trucks/truck-reviews/Ford/2017-Ford-escape-ar169435> 2017 Ford Escape dated May 18, 2015.
 Alexander Stocklosa <http://www.caranddriver/news/2017/2017-Ford-escape-spy-photos-news> 2017 Ford Escape Spy Photos dated May 2015.
 Unknown <http://www.autoblog.com/2015/06/25/2017/Ford-escape-spy-shots> New Ford Escape spied inside and out dated Jun. 25, 2015.

* cited by examiner



Figure 1

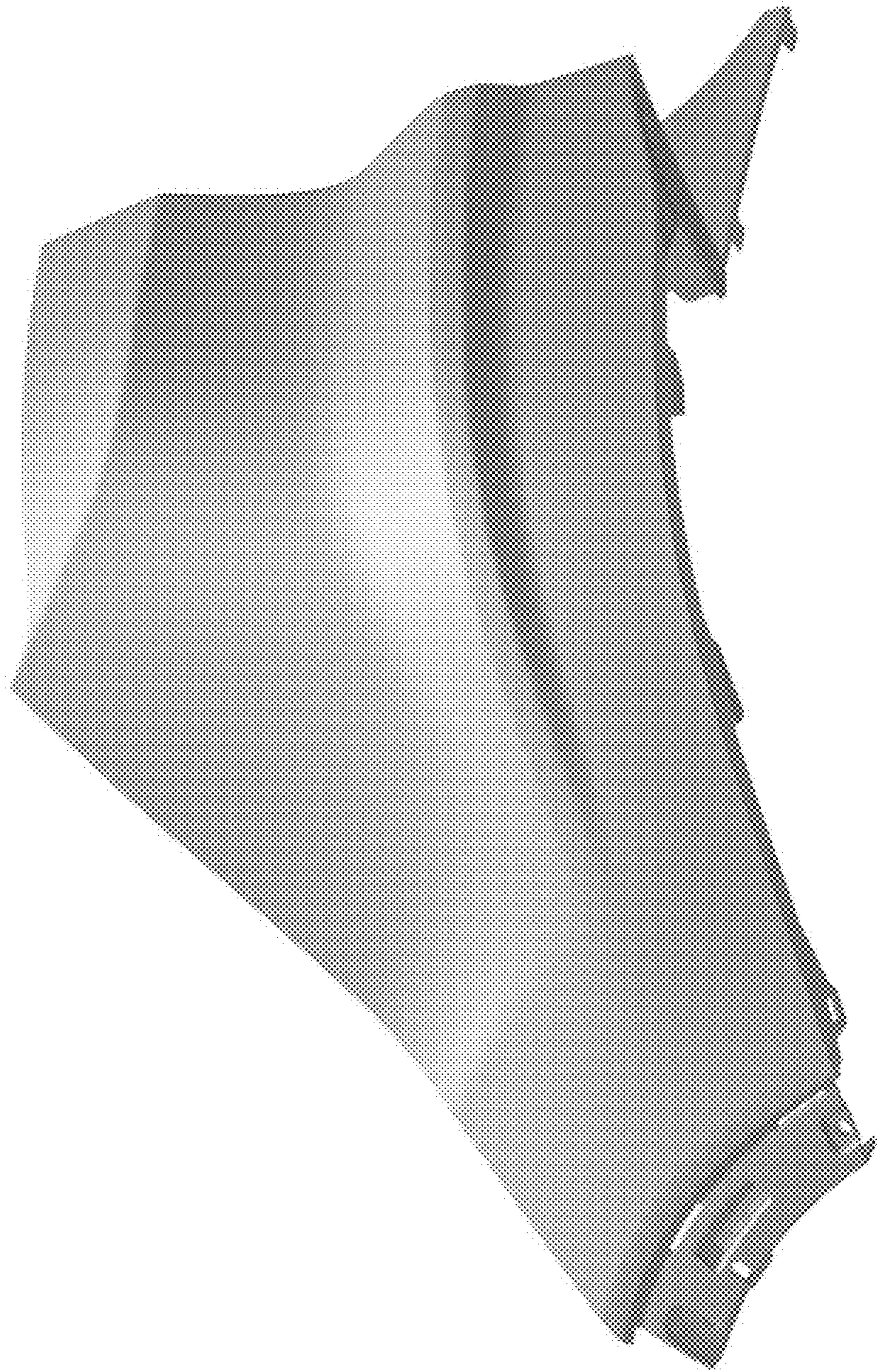


Figure 2

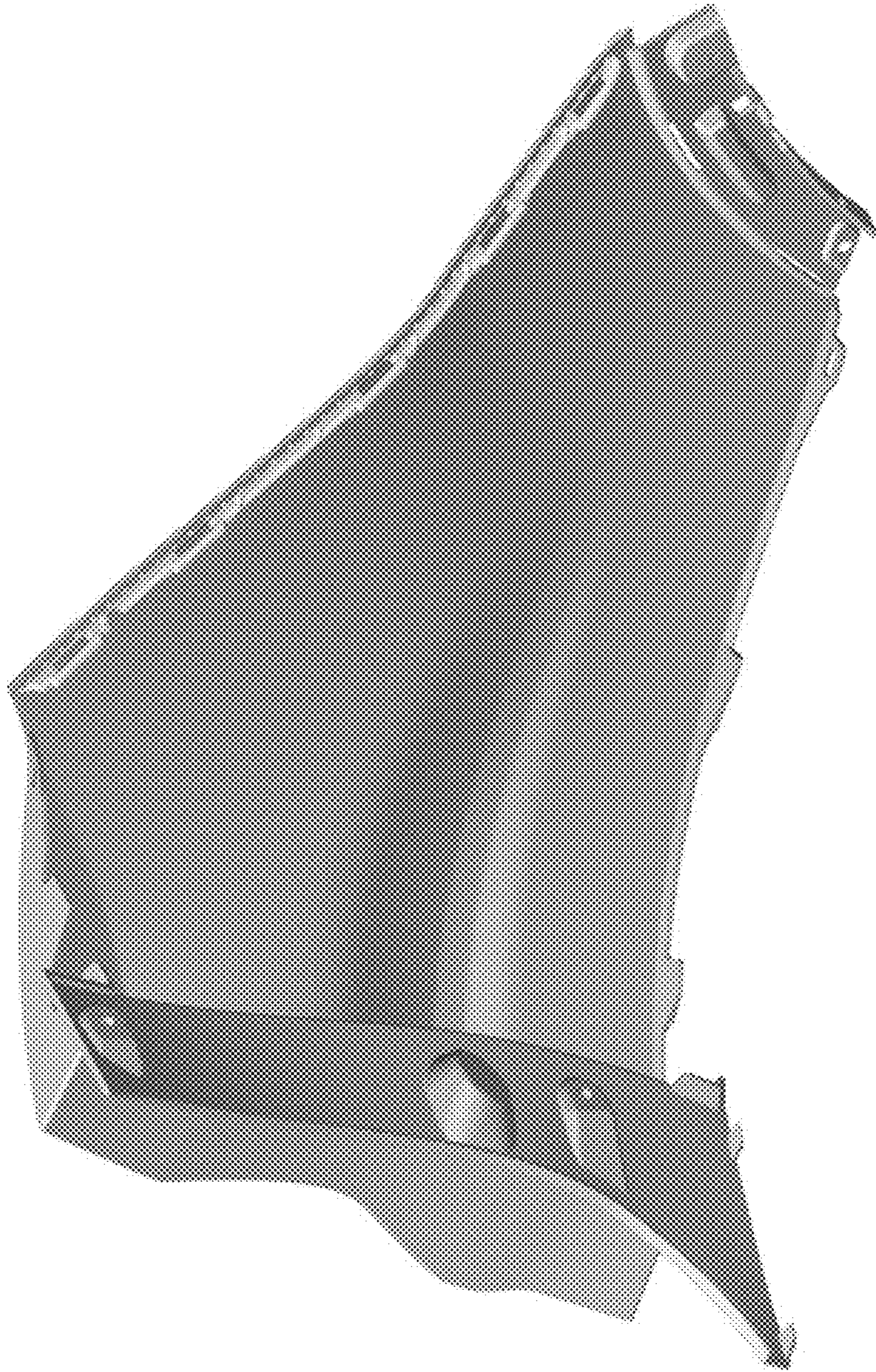


Figure 3

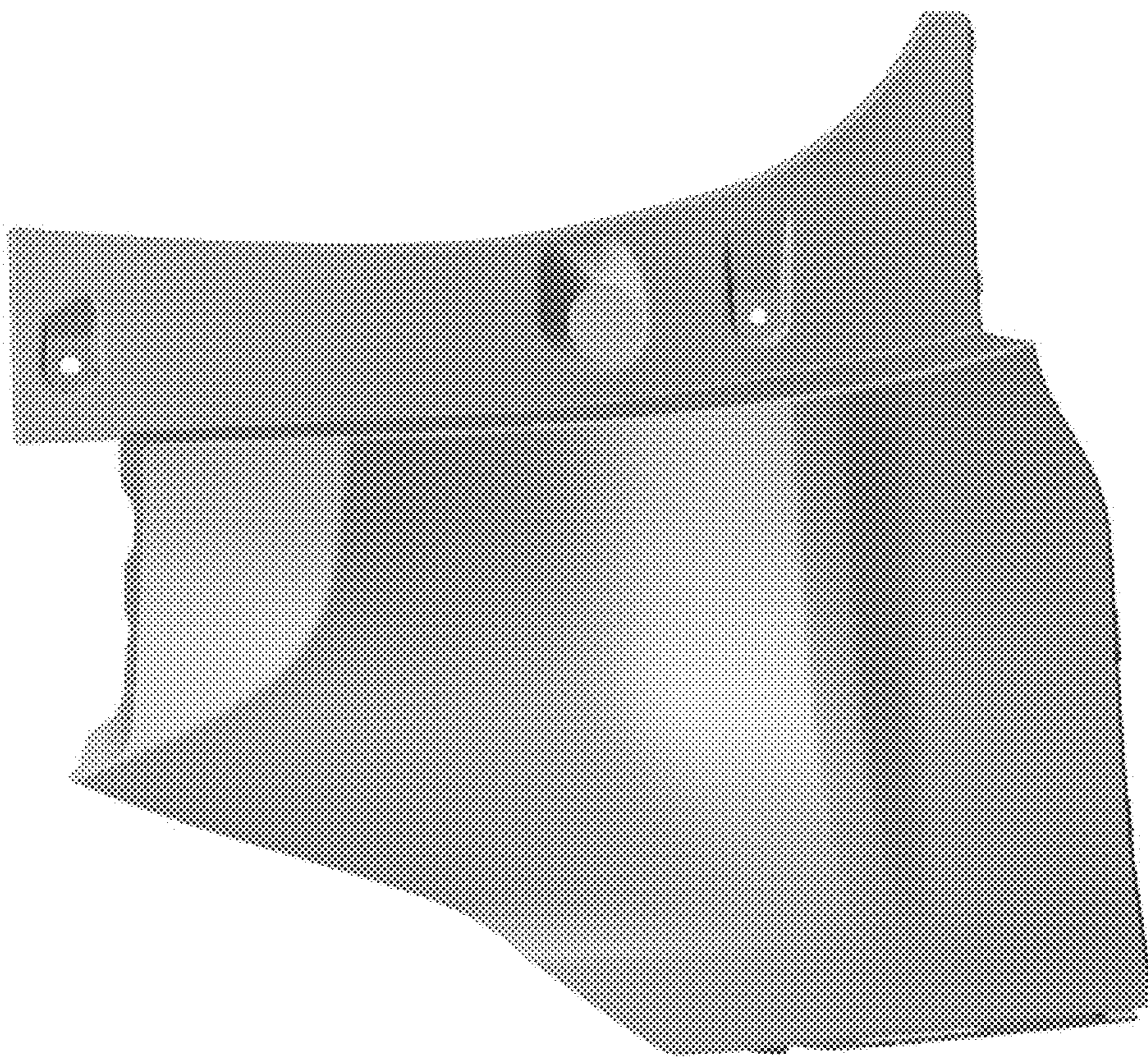


Figure 4

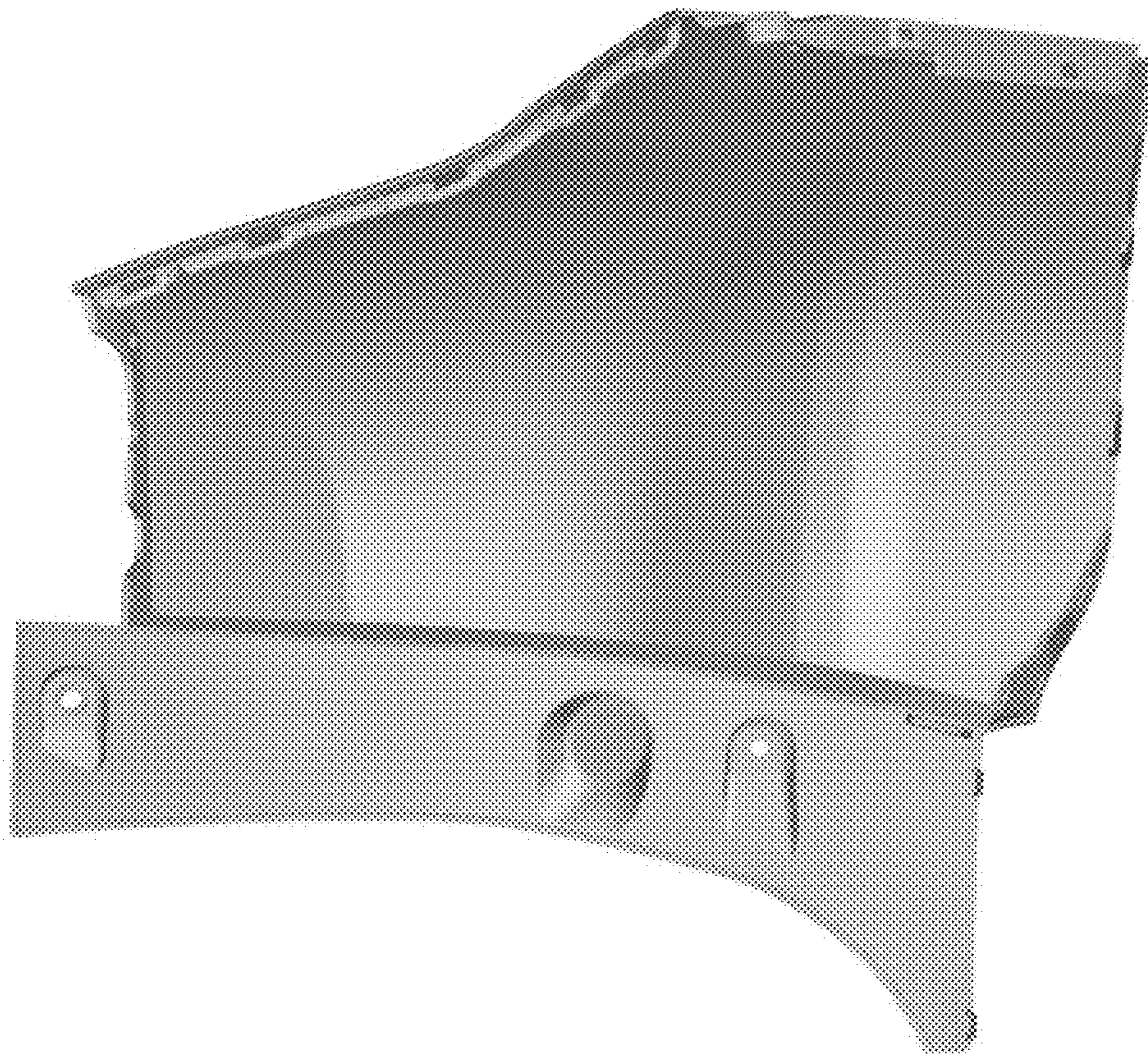


Figure 5



Figure 6

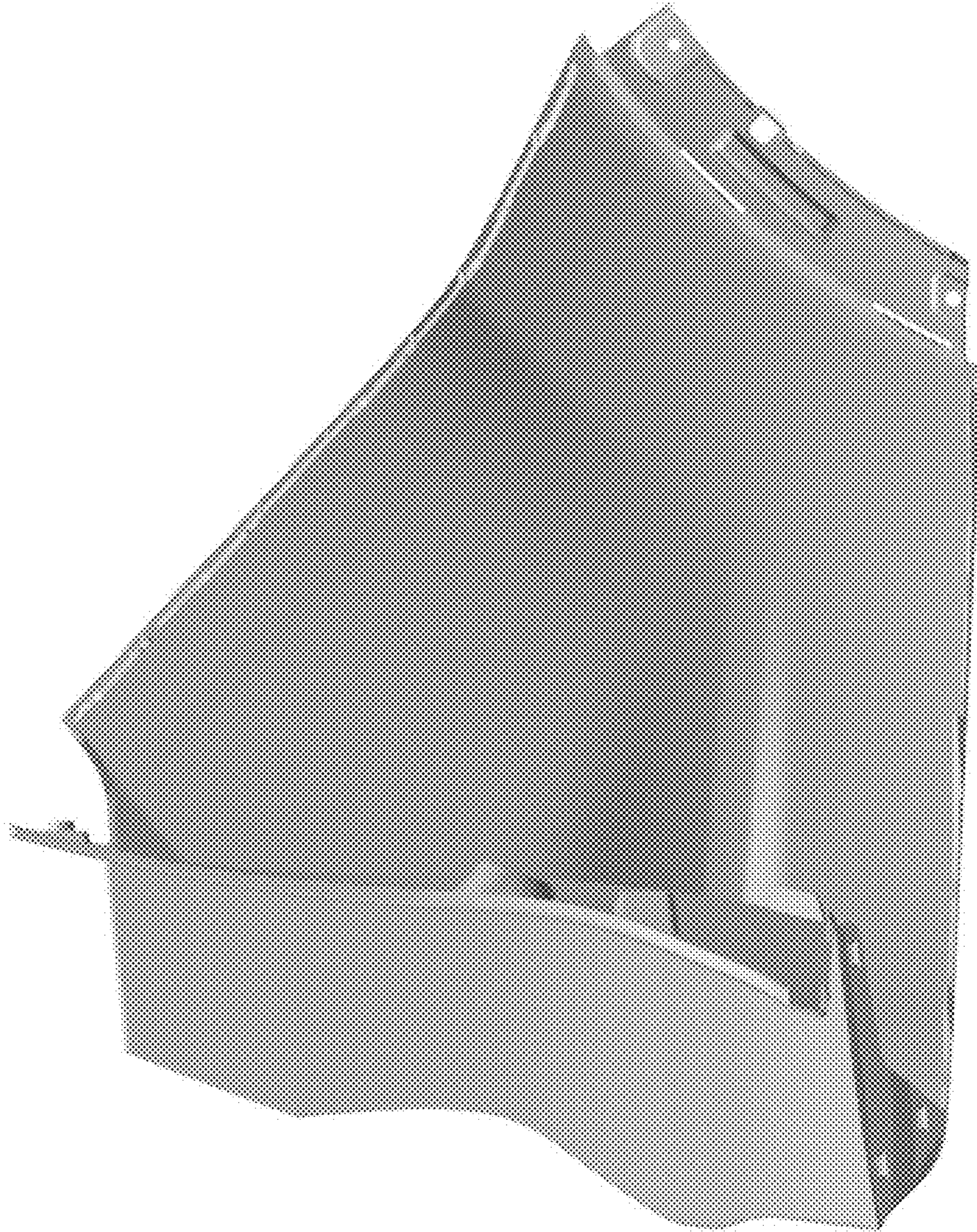


Figure 7

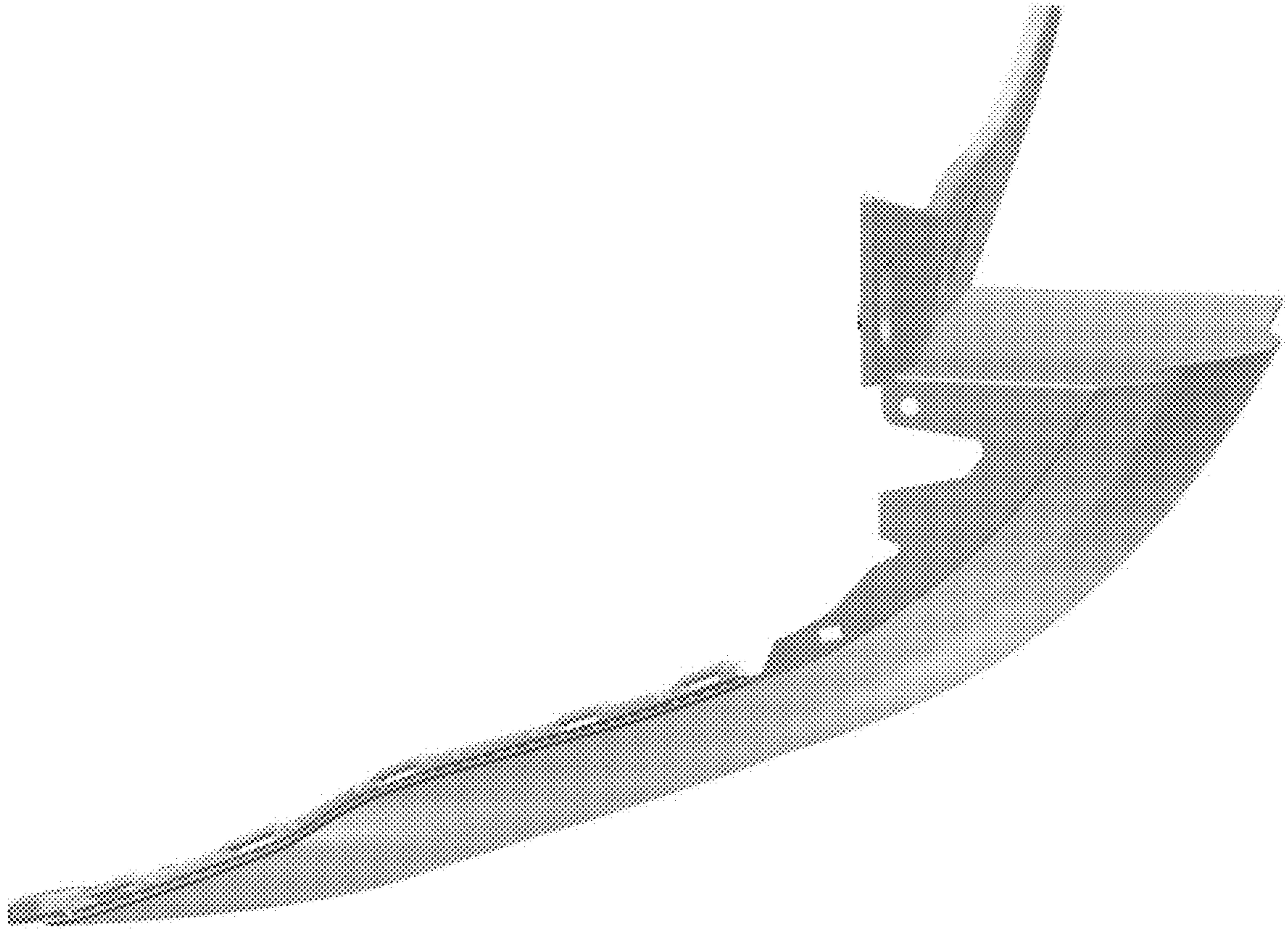


Figure 8

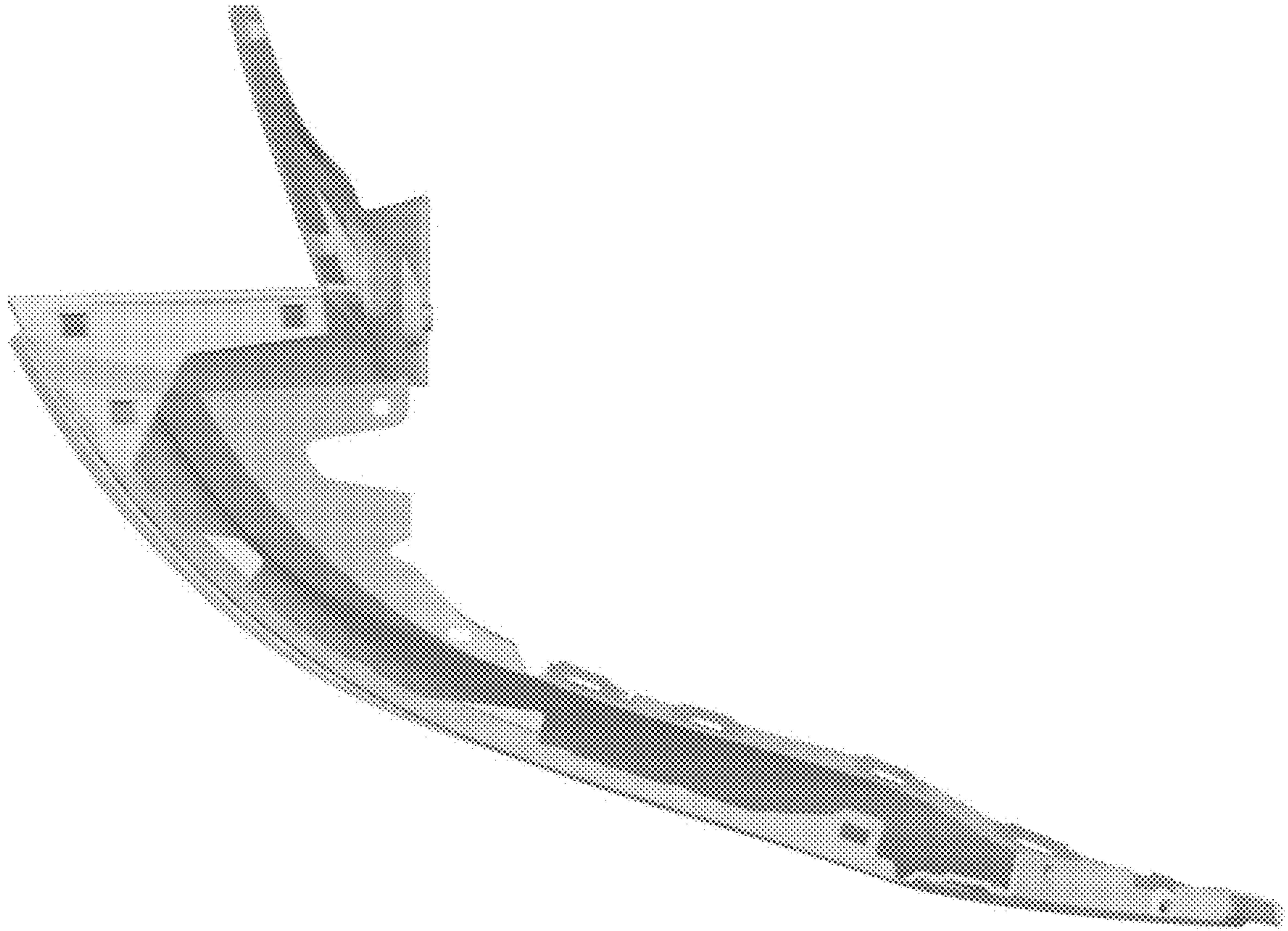


Figure 9