



US00D901336S

(12) **United States Design Patent** (10) **Patent No.:** **US D901,336 S**  
**Kuehne et al.** (45) **Date of Patent:** **\*\* Nov. 10, 2020**

- (54) **TWO-WHEEL VEHICLE FRAME**
- (71) Applicant: **Harley-Davidson Motor Company Group, LLC**, Milwaukee, WI (US)
- (72) Inventors: **Tyler Kuehne**, Milwaukee, WI (US); **Michael Decaluwe**, Jackson, WI (US); **Casey Ketterhagen**, Hartland, WI (US); **Eric J. Konkel**, Hartland, WI (US); **Ben McGinley**, Glendale, WI (US)
- (73) Assignee: **Harley-Davidson Motor Company Group, LLC**, Milwaukee, WI (US)
- (\*\*) Term: **15 Years**
- (21) Appl. No.: **29/691,273**
- (22) Filed: **May 15, 2019**
- (51) **LOC (12) Cl.** ..... **12-11**
- (52) **U.S. Cl.**  
USPC ..... **D12/111**
- (58) **Field of Classification Search**  
USPC ..... D12/111; D21/432, 435, 538  
CPC ..... B62K 9/02; B62K 15/00; B62K 15/008; B62K 21/00; B62J 17/08  
See application file for complete search history.

- D721,014 S \* 1/2015 Kahler, Jr. .... D12/111
  - 9,371,105 B2 \* 6/2016 Chou ..... B62K 3/04
  - 9,604,690 B2 \* 3/2017 Huber ..... B62K 3/04
  - D802,487 S \* 11/2017 Petrov ..... D12/111
  - D803,728 S \* 11/2017 Kamler ..... D12/111
  - 9,908,582 B1 \* 3/2018 Choi ..... B62K 19/36
  - 9,963,187 B1 \* 5/2018 Quan ..... B62K 19/16
  - D826,101 S \* 8/2018 Uimonen ..... D12/111
  - D840,876 S \* 2/2019 De Roeck ..... D12/111
- (Continued)

**OTHER PUBLICATIONS**

Harley Davidson, "CES 2019:Harley-Davidson New Concepts and Livewire Motorcycle", Webpage: <https://www.totalmotorcycle.com/ces-2019-harley-davidson-electrifies-the-future-with-new-concepts-and-livewire-motorcycle/>, May 9, 2019.

(Continued)

*Primary Examiner* — Darlington Ly  
(74) *Attorney, Agent, or Firm* — Michael Best & Friedrich LLP

(57) **CLAIM**

We claim the ornamental design for a two-wheel vehicle frame, as shown and described.

**DESCRIPTION**

FIG. 1 is a top, front, and right side perspective view of a two-wheel vehicle frame showing our new design; FIG. 2 is a top, front, and left side perspective view thereof; FIG. 3 is a right side elevation view thereof; FIG. 4 is a left side elevation view thereof; FIG. 5 is a front elevation view thereof; FIG. 6 is a rear elevation view thereof; and, FIG. 7 is a top plan view thereof.

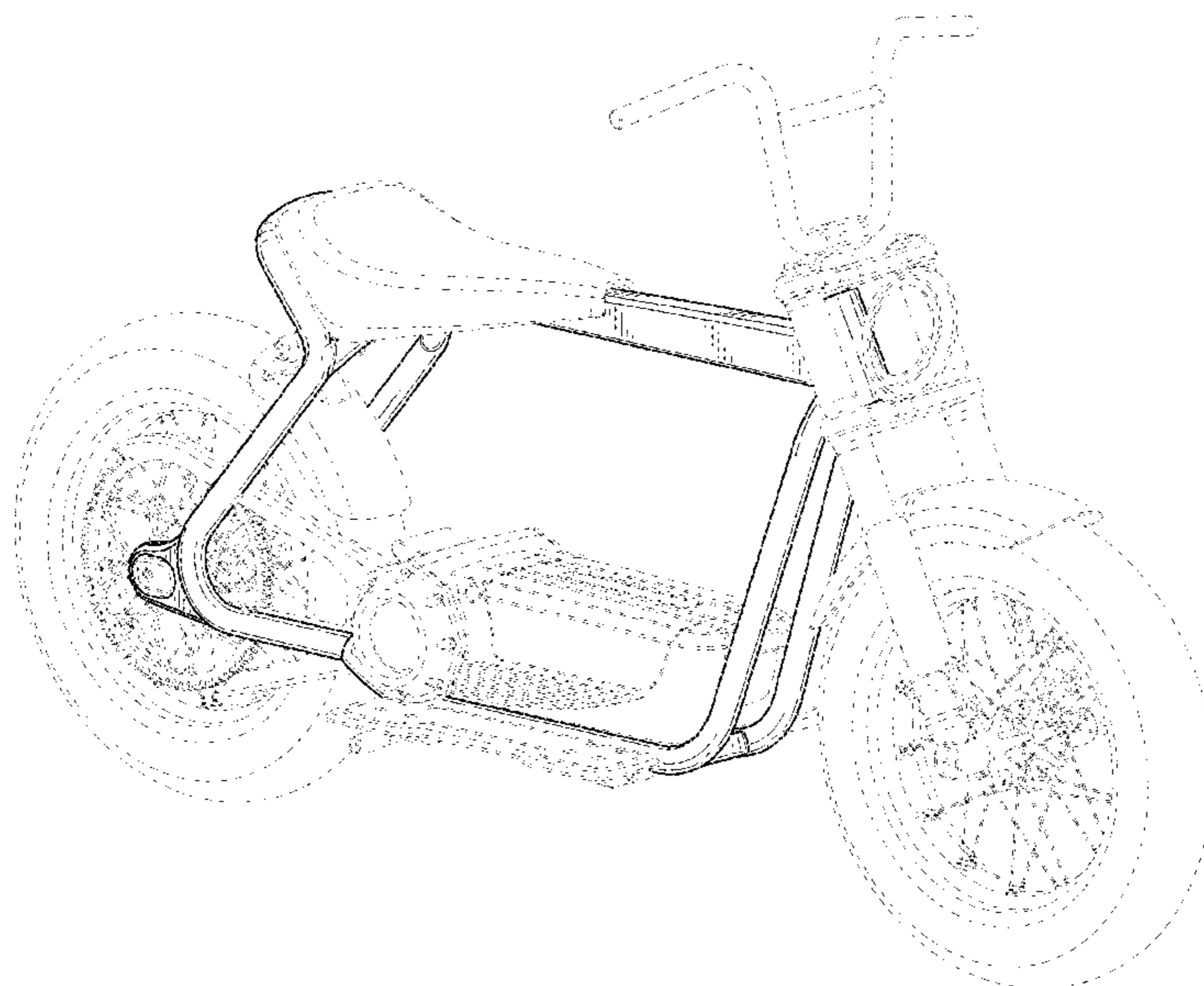
The broken lines are included for the purpose of showing environment and portions of the two-wheel vehicle frame that form no part of the claimed design.

**1 Claim, 7 Drawing Sheets**

(56) **References Cited**

**U.S. PATENT DOCUMENTS**

- D195,019 S \* 4/1963 Schreckengost ..... D12/111
- D216,538 S \* 2/1970 Hill ..... D12/111
- D386,451 S \* 11/1997 Liao ..... D12/111
- D533,811 S \* 12/2006 Hoisington ..... D12/111
- D622,638 S \* 8/2010 Uimonen ..... D12/111
- D632,615 S \* 2/2011 Uimonen ..... D12/111
- D662,445 S \* 6/2012 Uimonen ..... D12/111
- D666,536 S \* 9/2012 Uimonen ..... D12/111
- D666,946 S \* 9/2012 Uimonen ..... D12/111
- D693,739 S \* 11/2013 Uimonen ..... D12/111



(56)

**References Cited**

U.S. PATENT DOCUMENTS

D876,991 S \* 3/2020 Tsai ..... D12/111  
D885,985 S \* 6/2020 Tan ..... D12/111

OTHER PUBLICATIONS

Harley Davidson, "Electric Motorcycles Harley Davidson USA",  
Webpage: <https://www.harley-davidson.com/us/en/motorcycles/future-vehicles/electric.html>, May 9, 2019.

\* cited by examiner

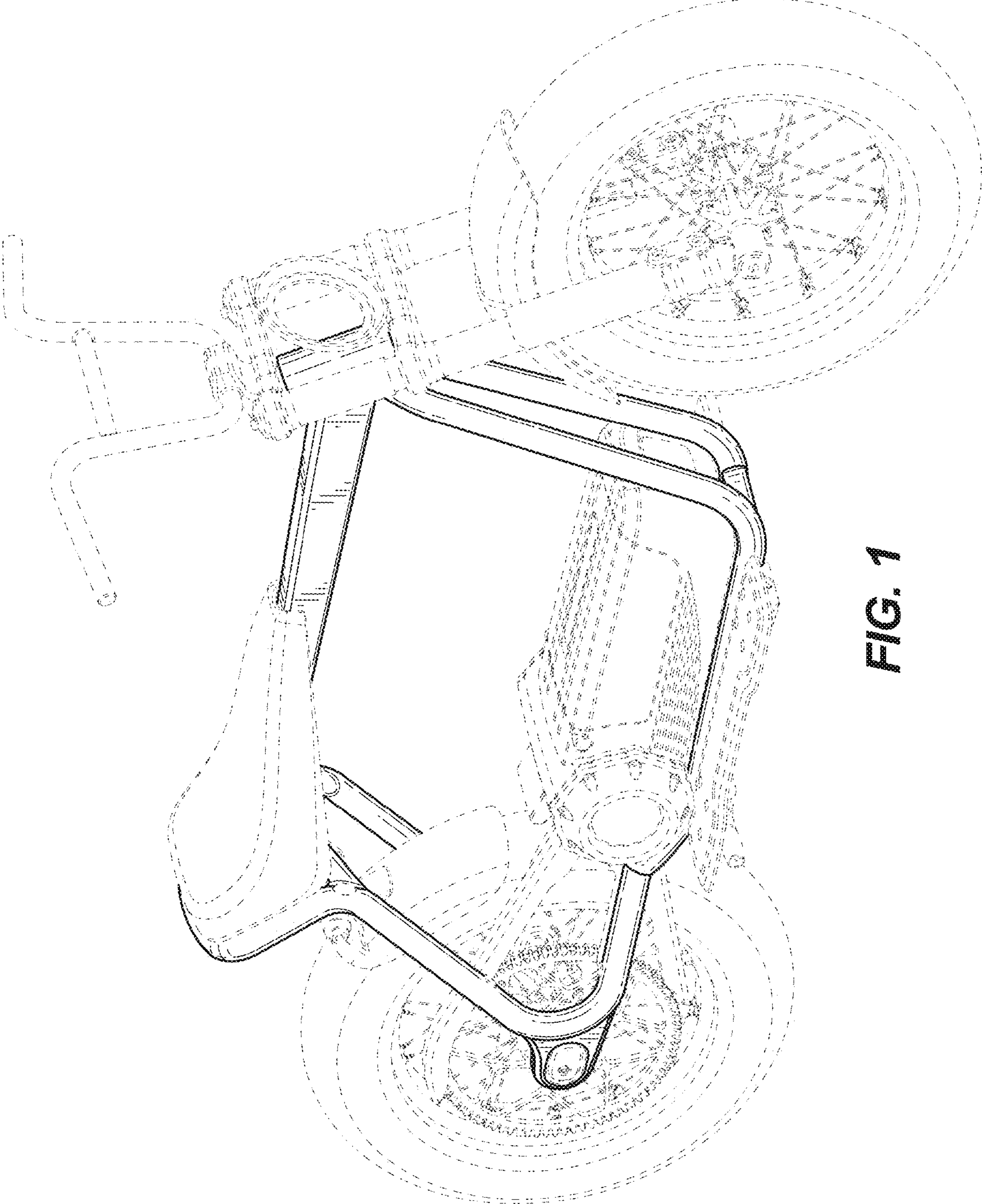


FIG. 1

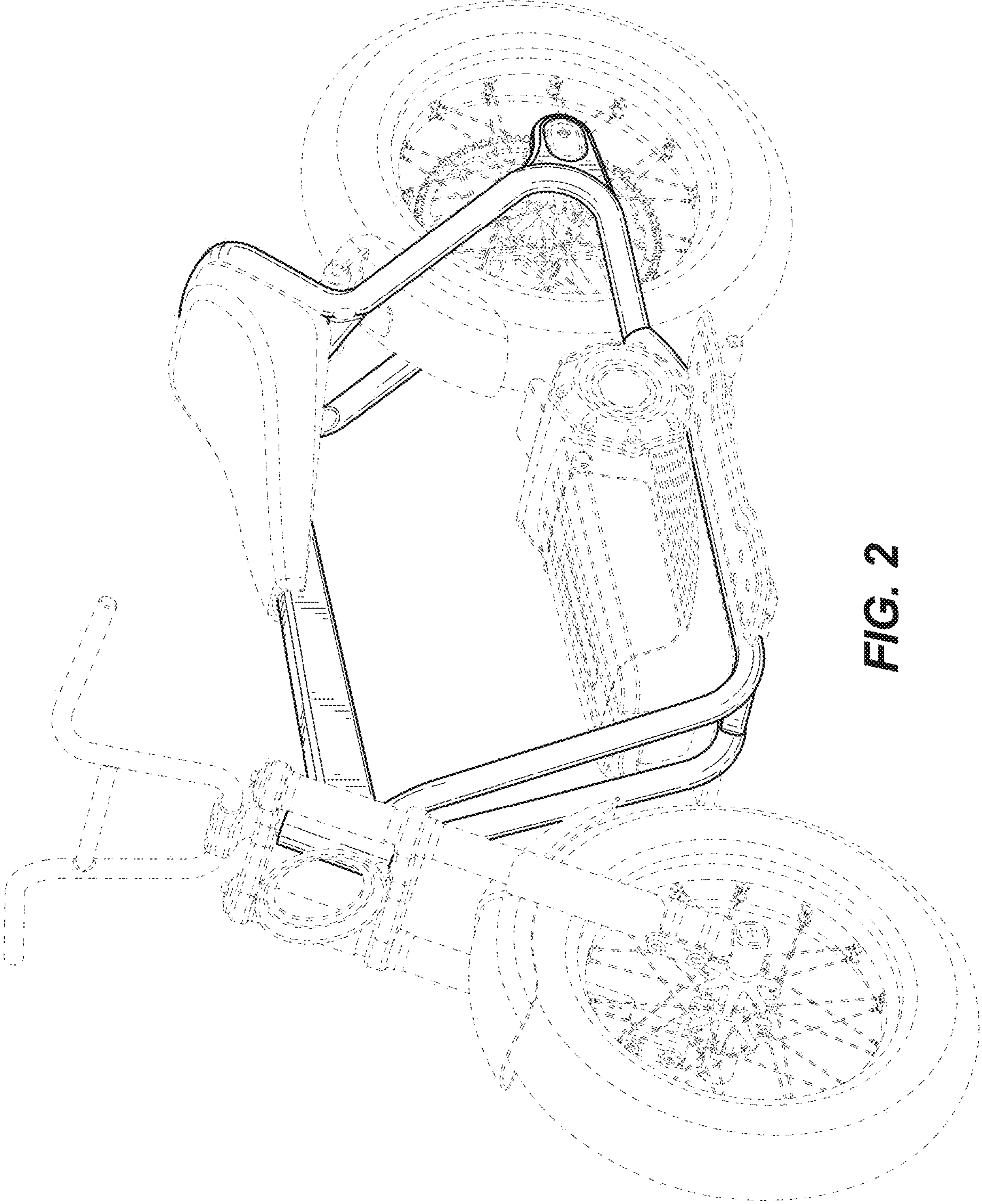


FIG. 2

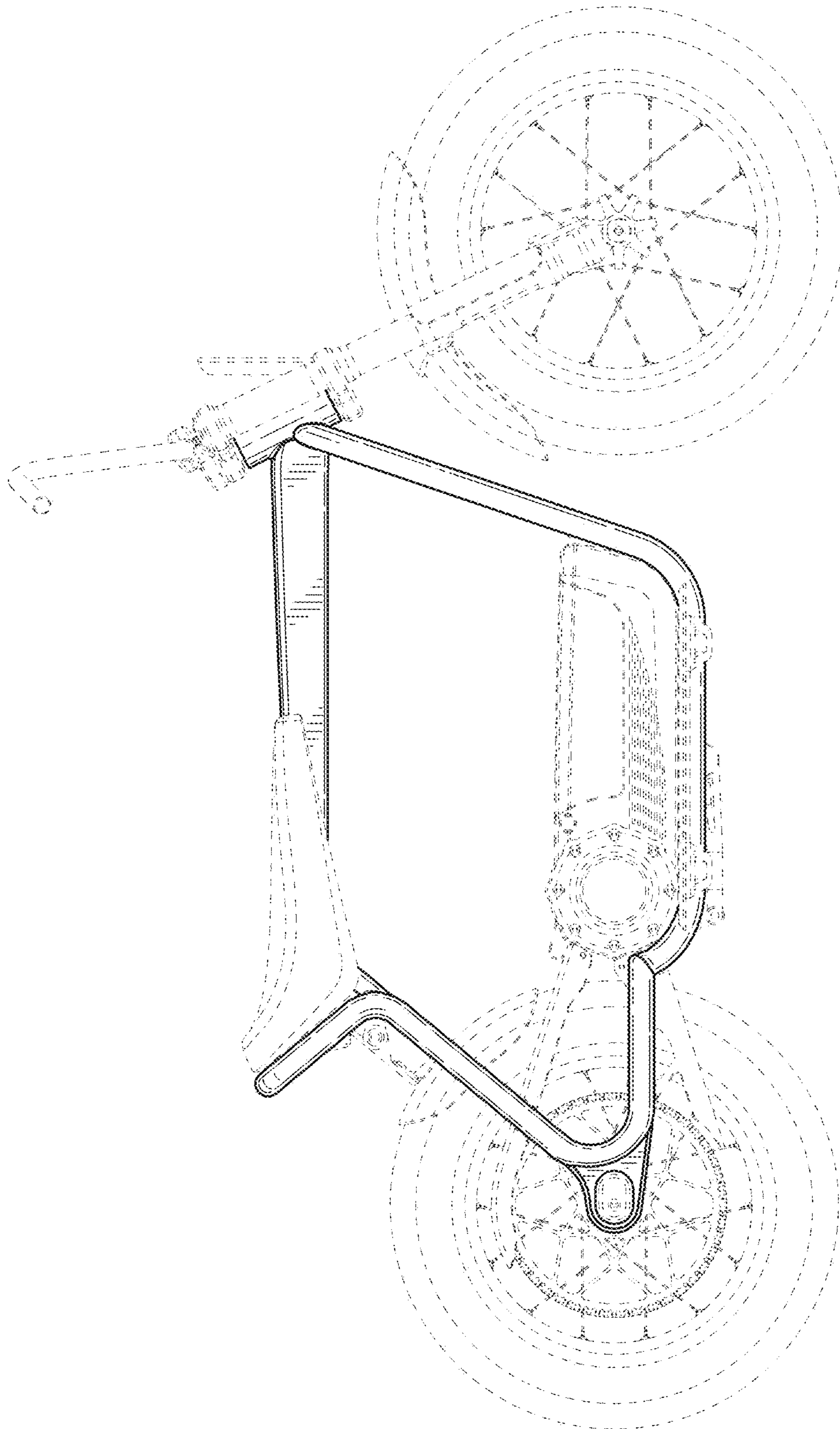


FIG. 3

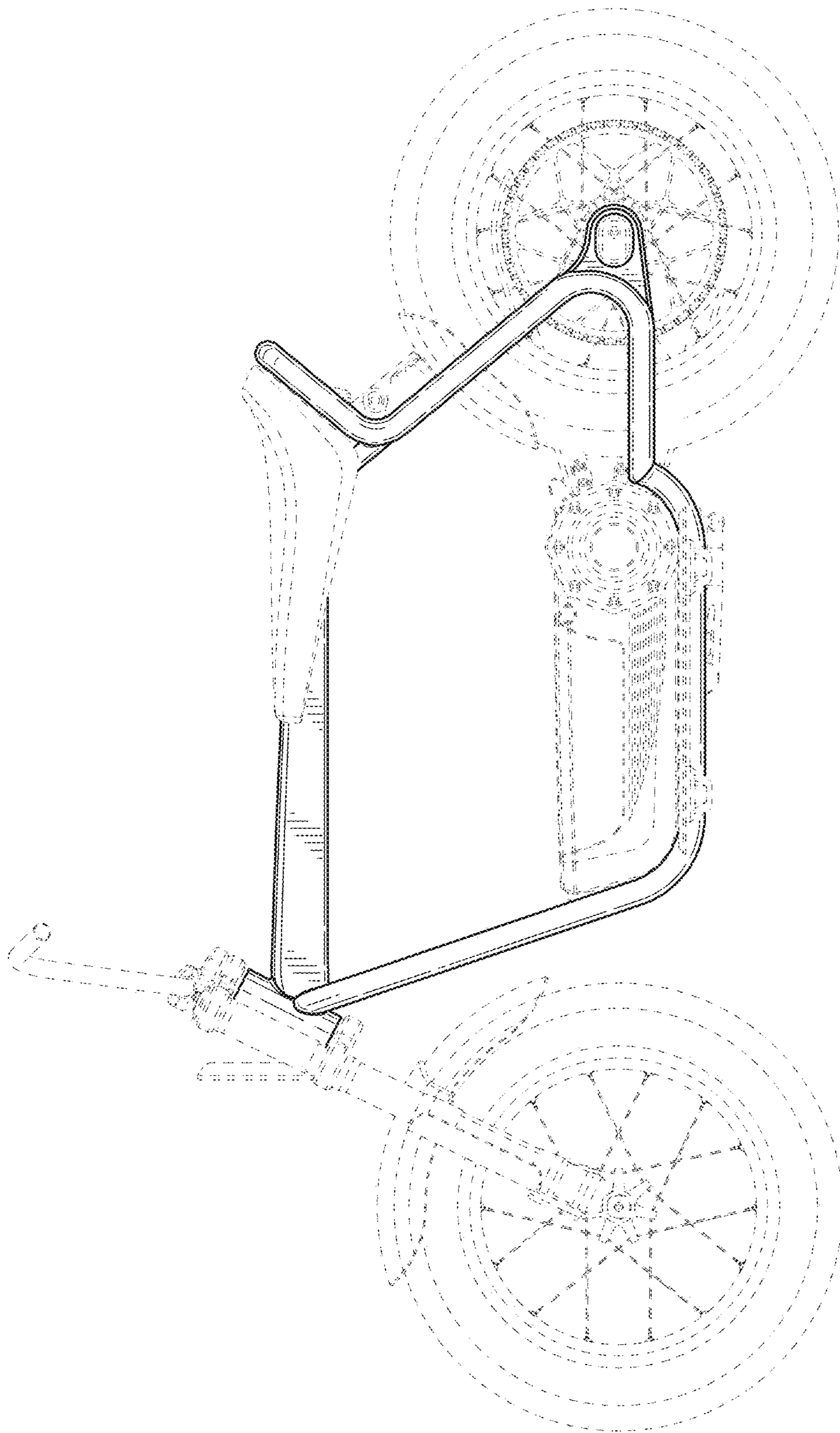
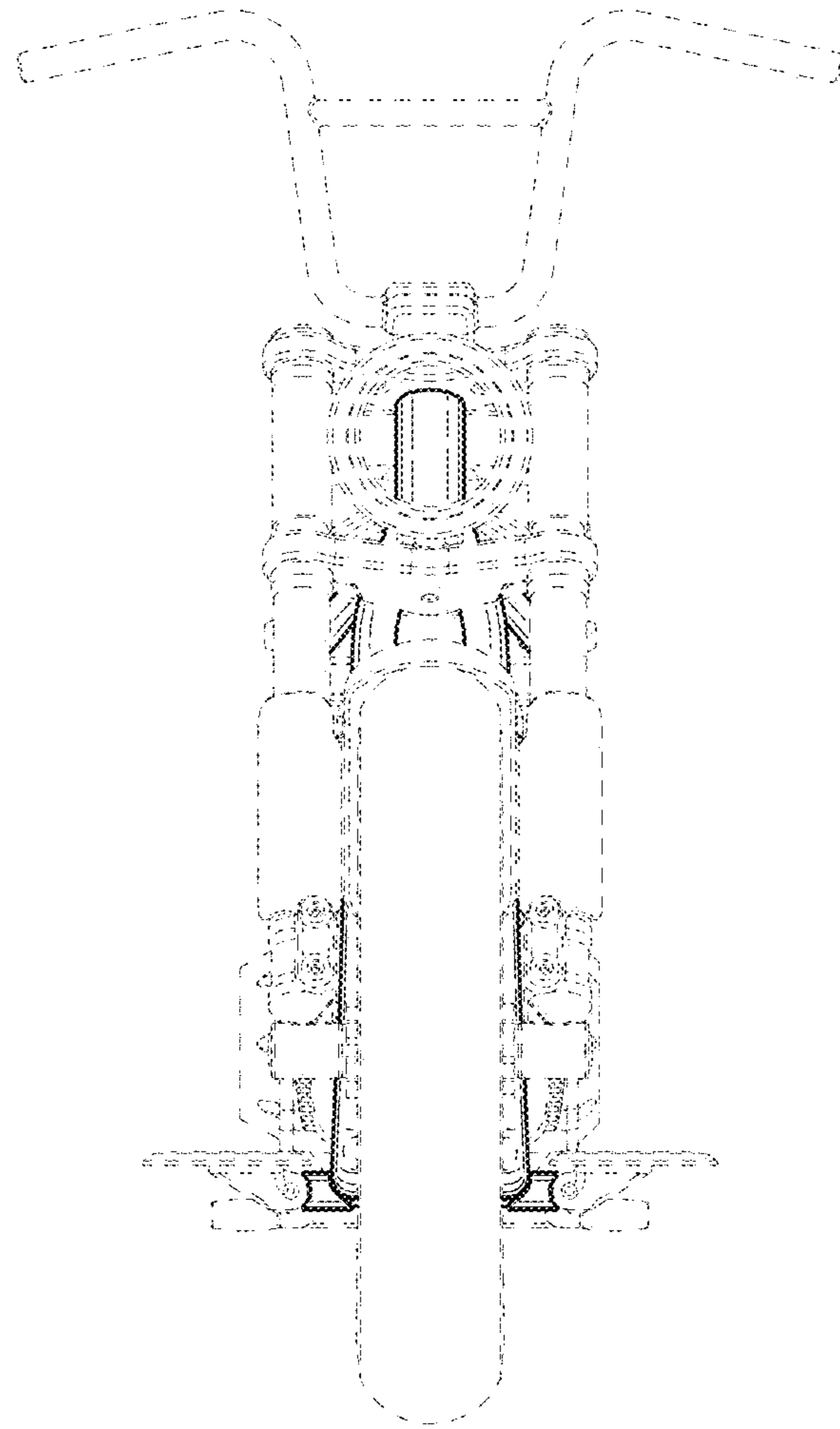
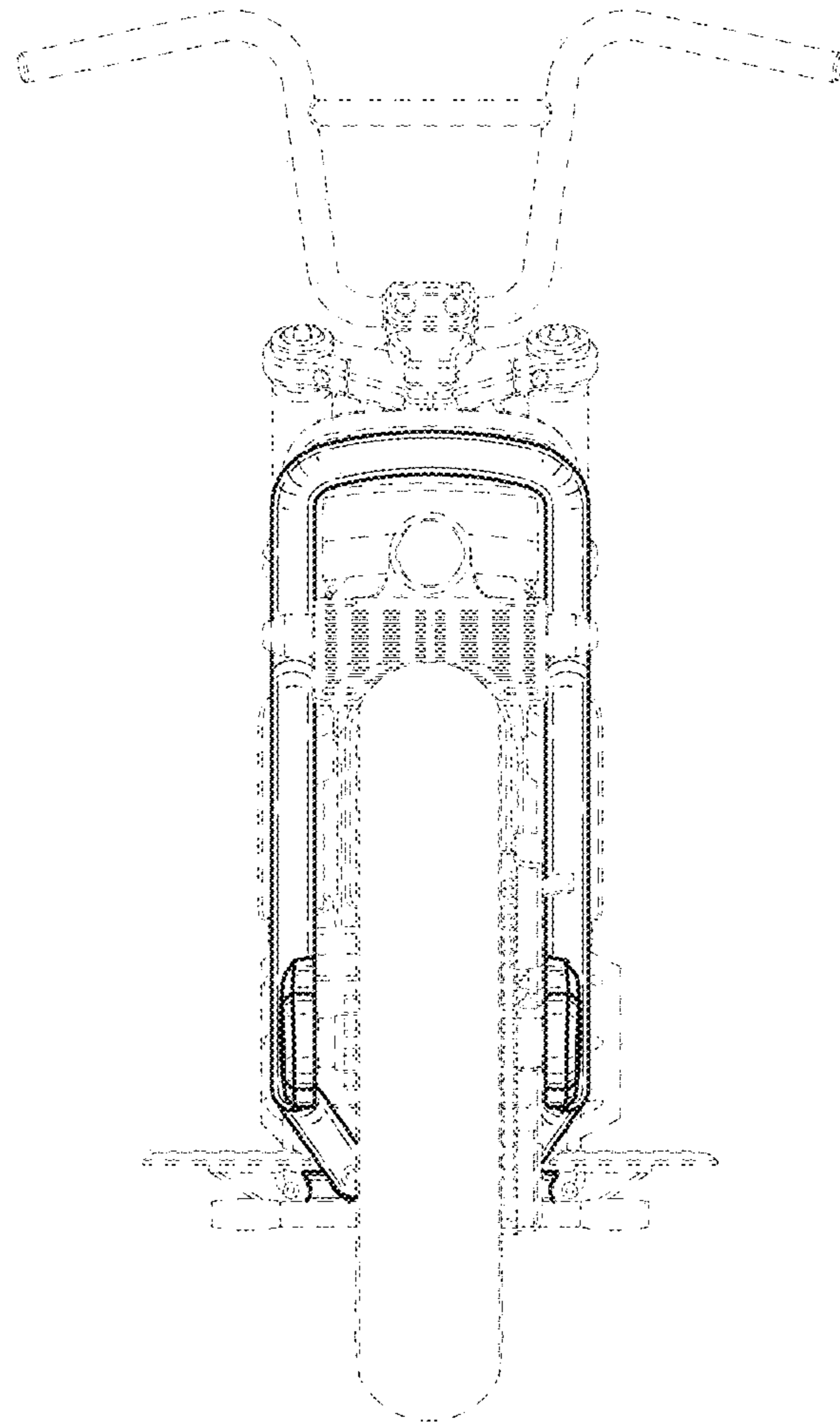


FIG. 4



**FIG. 5**



**FIG. 6**



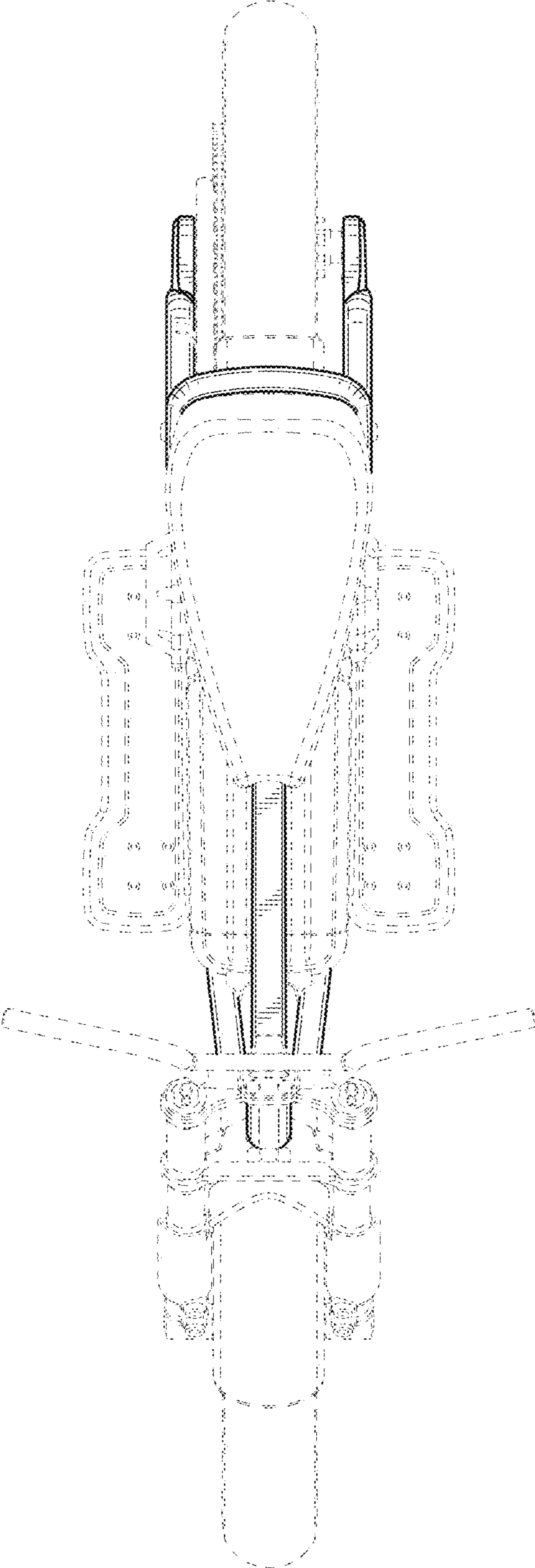


FIG. 7