



US00D901329S

(12) **United States Design Patent** (10) **Patent No.:** **US D901,329 S**
McCorkle (45) **Date of Patent:** **** Nov. 10, 2020**

(54) **HEADGEAR APPLIANCE MOUNTING WITH RETENTION CLIP**

(71) Applicant: **Christopher McCorkle**, Scottsdale, AZ (US)

(72) Inventor: **Christopher McCorkle**, Scottsdale, AZ (US)

(**) Term: **15 Years**

(21) Appl. No.: **29/667,330**

(22) Filed: **Oct. 19, 2018**

(51) **LOC (12) Cl.** **02-07**

(52) **U.S. Cl.**
USPC **D11/218**

(58) **Field of Classification Search**

USPC D11/200, 201, 208, 212, 215, 216, 218, D11/219, 220, 221, 86, 87, 93, 94, 231; D8/383, 382, 499

CPC A44C 23/00; A44C 5/18; A44C 5/185; A44C 5/2066; A44C 5/2042; A44C 5/2057; A44C 5/2071; A44D 2200/10; A44D 2201/02; A44D 2201/10; A44D 2201/12; A44D 2201/14; A44D 2201/16; A44D 2201/30; A44D 2201/32; A44D 2201/34; A44D 2201/36; A44D 2203/00; A44D 2205/00; A44B 11/00; A44B 11/25; A44B 11/2553; A44B 11/2549; A44B 11/04

See application file for complete search history.

(56) **References Cited**

U.S. PATENT DOCUMENTS

D33,452 S 10/1900 Pax
3,100,324 A 8/1963 Tutino et al.
4,358,036 A * 11/1982 Maltais A45F 5/02
224/163
D370,192 S * 5/1996 Viktorsson D11/216

D376,994 S * 12/1996 Norris D11/218
D385,825 S * 11/1997 Johnson, III D11/200
5,937,439 A 8/1999 Barthold et al.
D476,263 S * 6/2003 Walters D11/200
6,694,530 B2 2/2004 Maloney
D595,184 S * 6/2009 Yoshiguchi D11/216
D670,586 S * 11/2012 Fetterly D10/74
D708,420 S * 7/2014 Rosales D11/200
D753,019 S * 4/2016 Chan D11/200
9,398,781 B1 * 7/2016 McCorkle A42B 1/244
2003/0126722 A1 7/2003 Thompson

* cited by examiner

Primary Examiner — Sheryl Lane

Assistant Examiner — Samantha N Wood

(74) *Attorney, Agent, or Firm* — Schmeiser, Olsen & Watts LLP

(57) **CLAIM**

The ornamental design for a headgear appliance mounting with retention clip, as shown and described.

DESCRIPTION

FIG. 1 is a first top and front perspective view of a headgear appliance mounting with retention clip, showing my new design;

FIG. 2 is a first bottom and front perspective view thereof;

FIG. 3 is a second top and front perspective view thereof;

FIG. 4 is a second bottom and front perspective view thereof;

FIG. 5 is a top view thereof;

FIG. 6 is a bottom view thereof;

FIG. 7 is a left side view thereof;

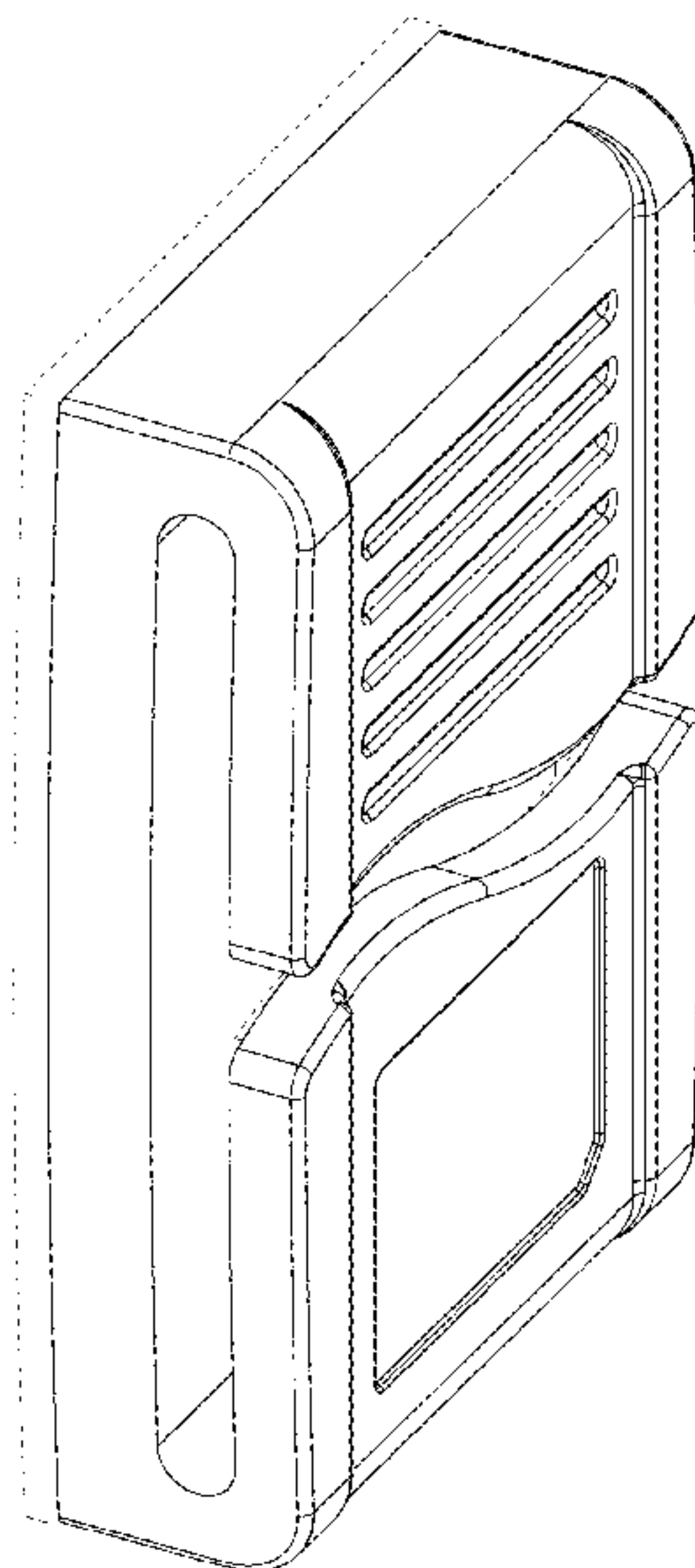
FIG. 8 is a right side view thereof;

FIG. 9 is a front view thereof; and,

FIG. 10 is a rear view thereof.

The broken lines are included for the purpose of illustrating portions of the article and forms no part of the claimed design.

1 Claim, 9 Drawing Sheets



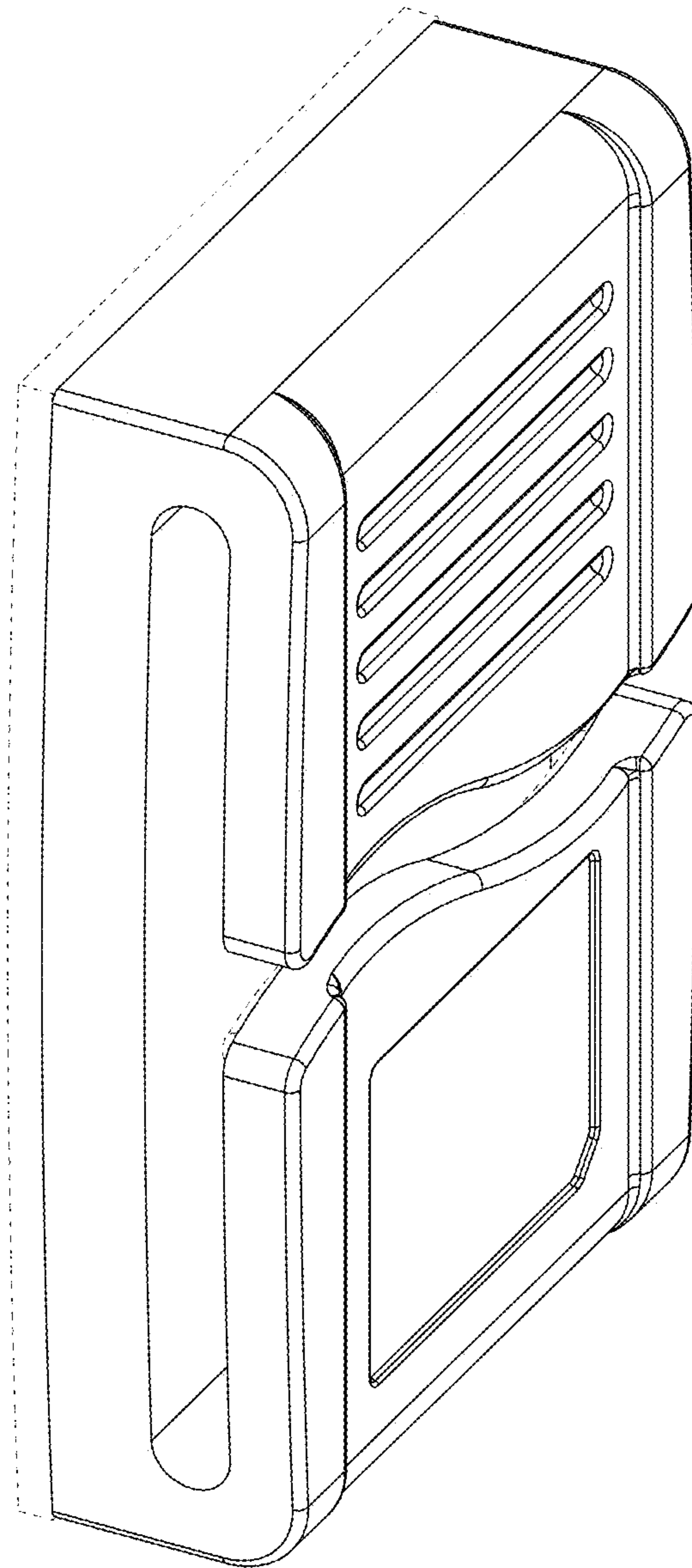


FIG. 1

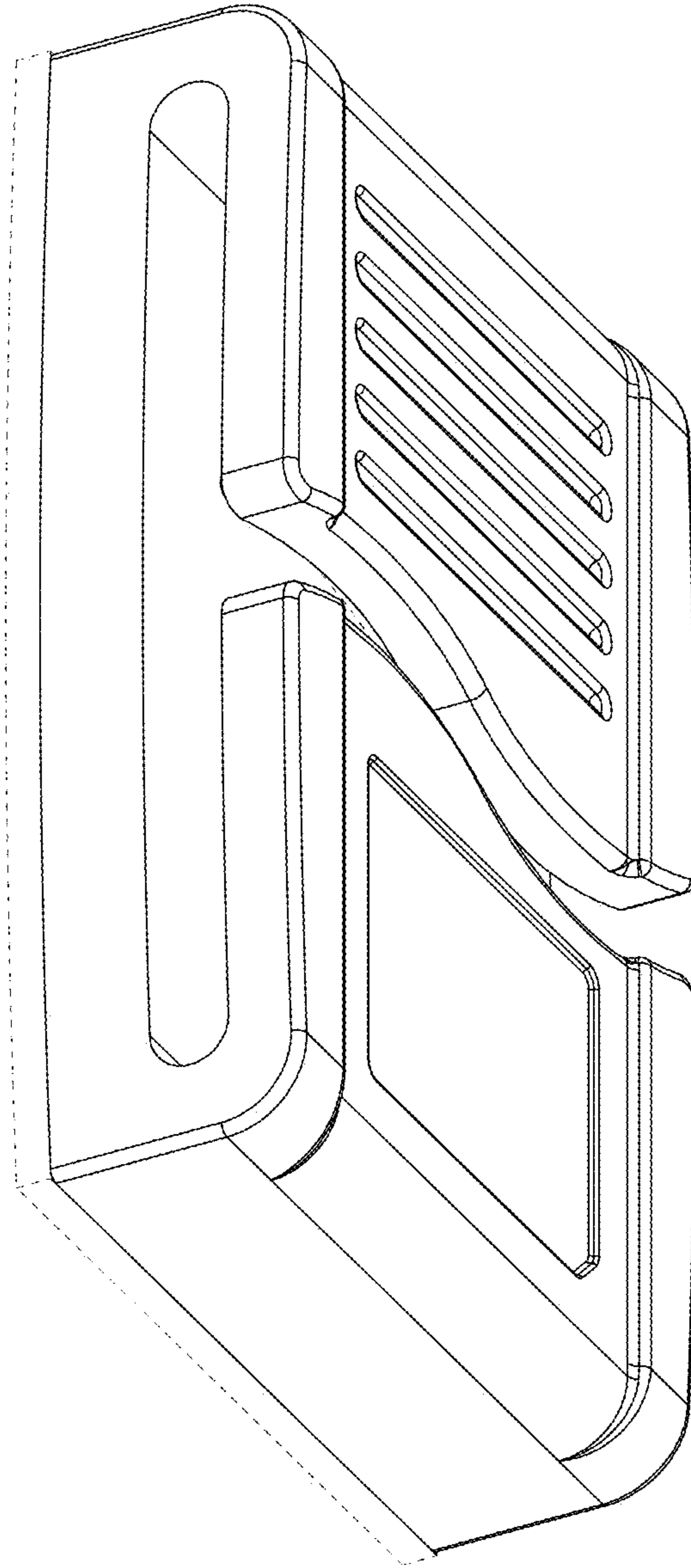


FIG. 2

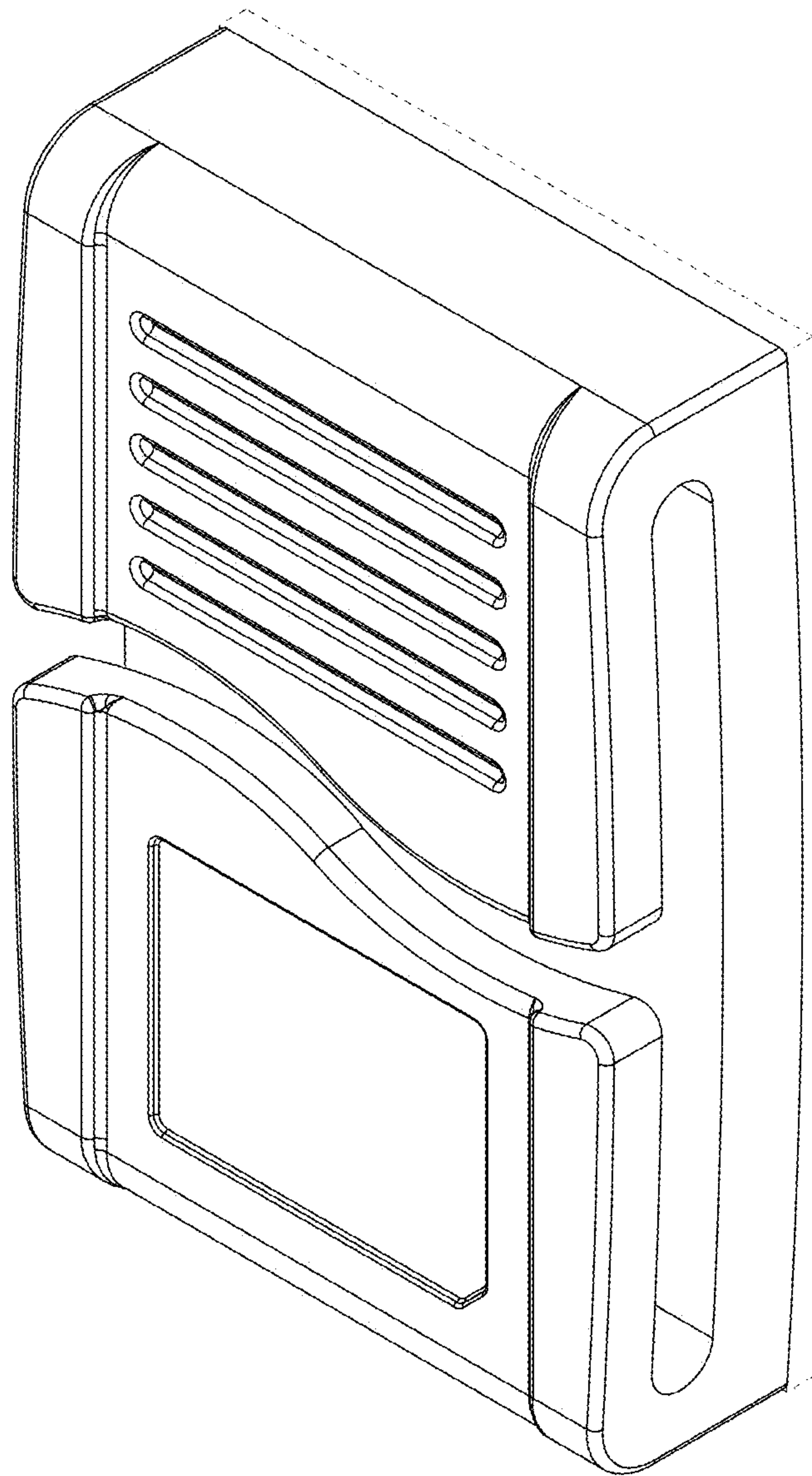


FIG. 3

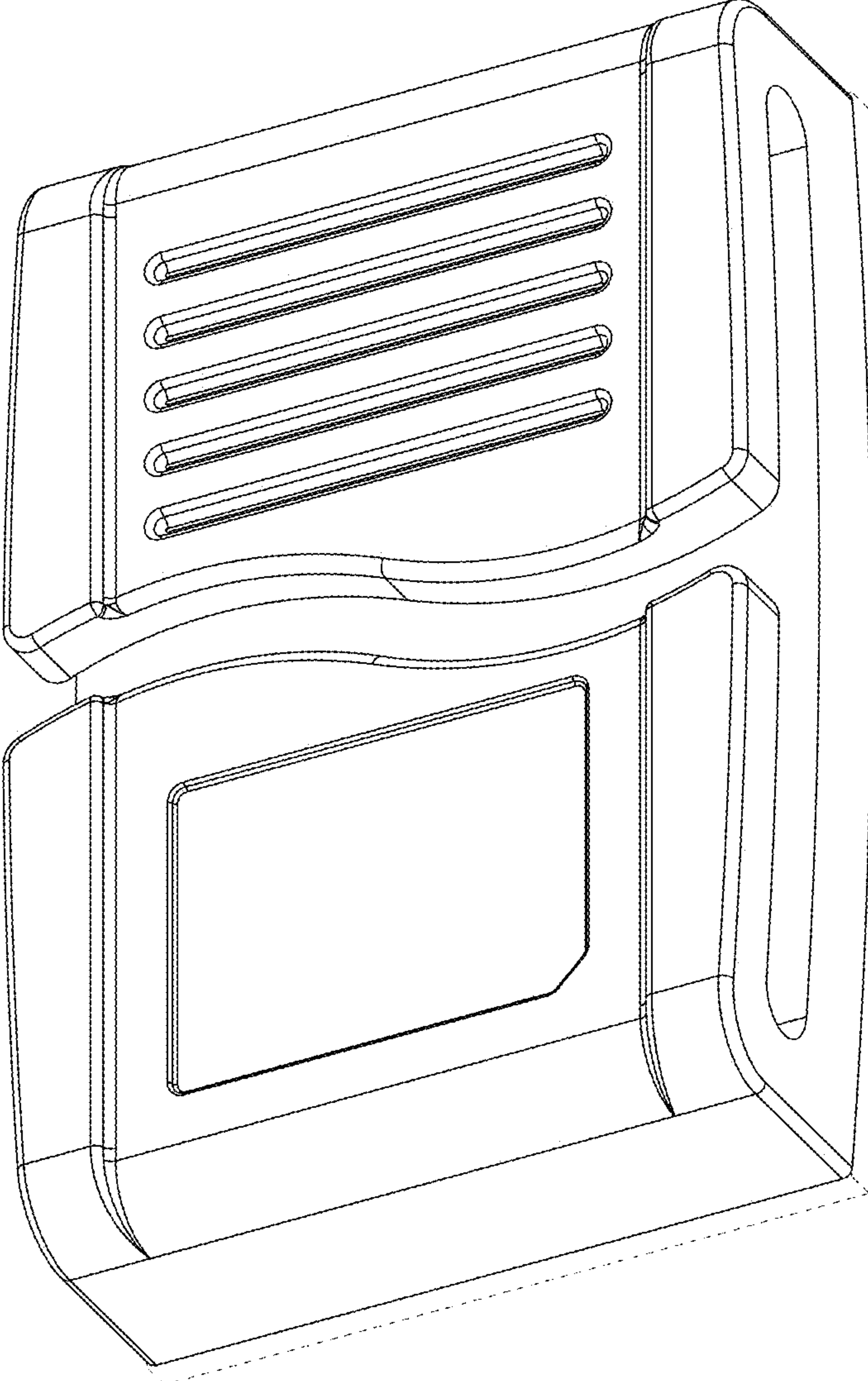


FIG. 4

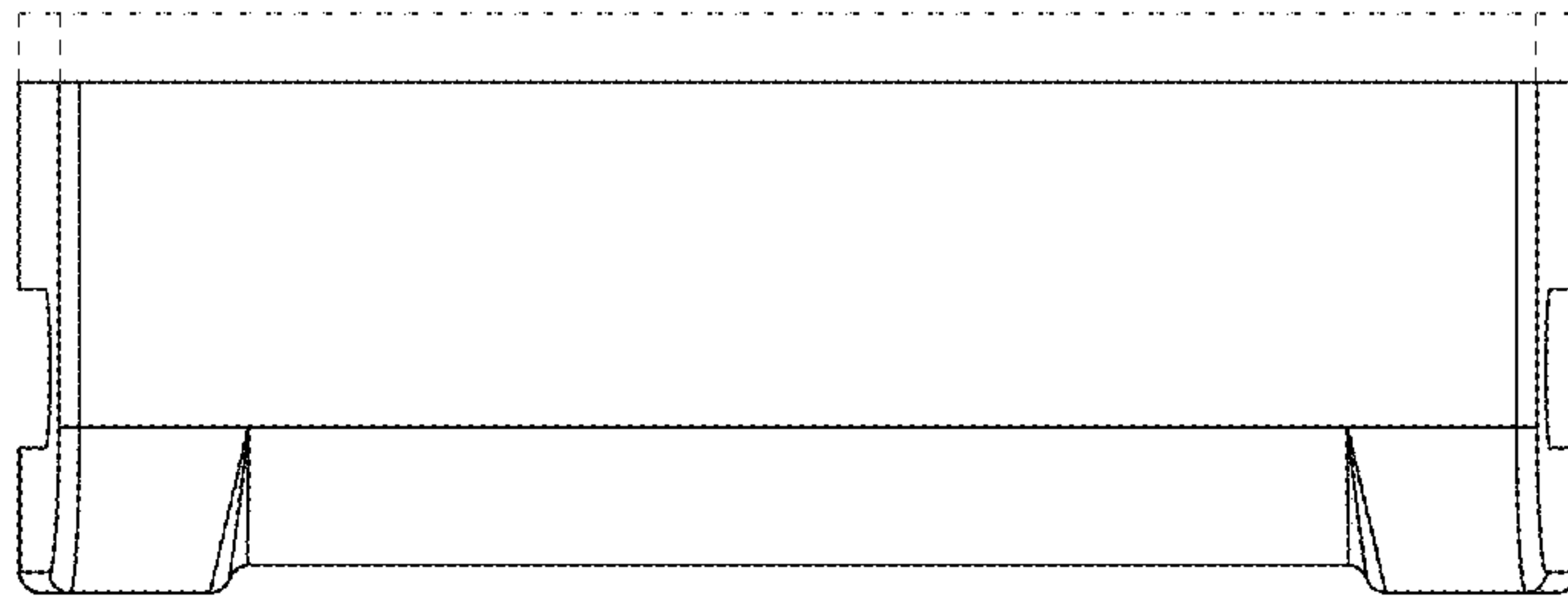


FIG. 5

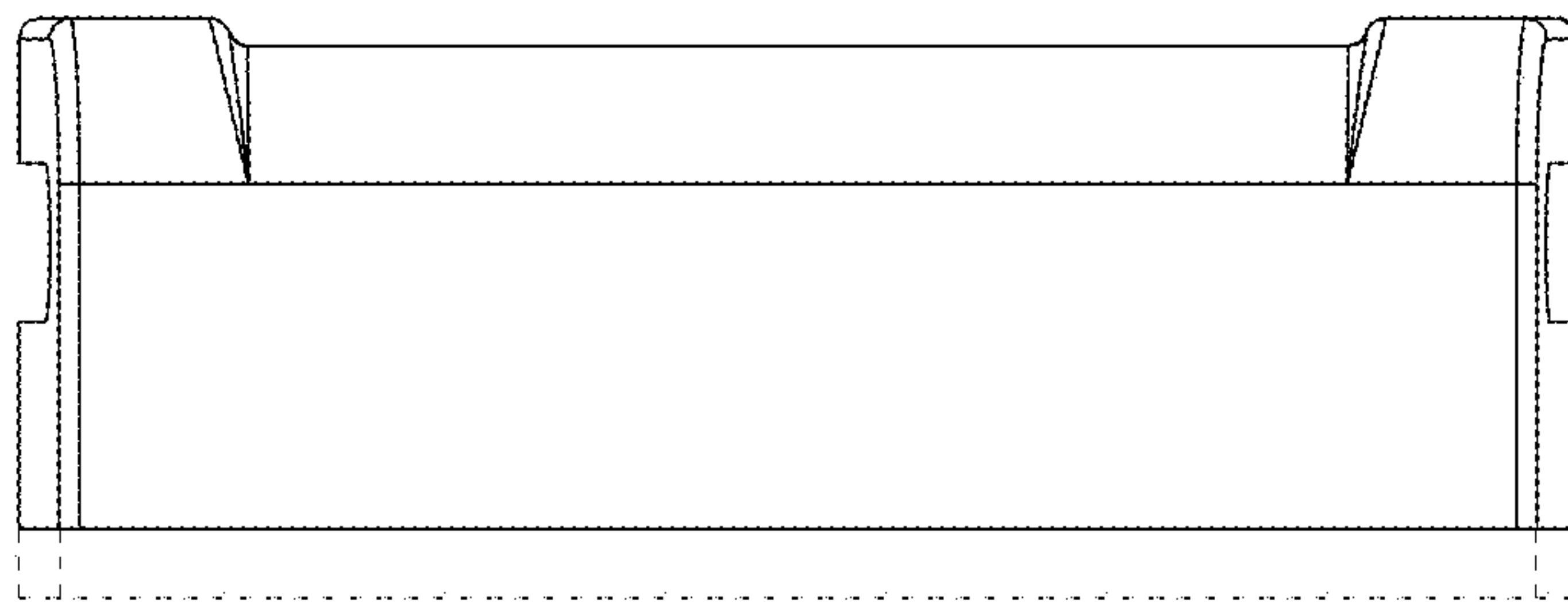


FIG. 6

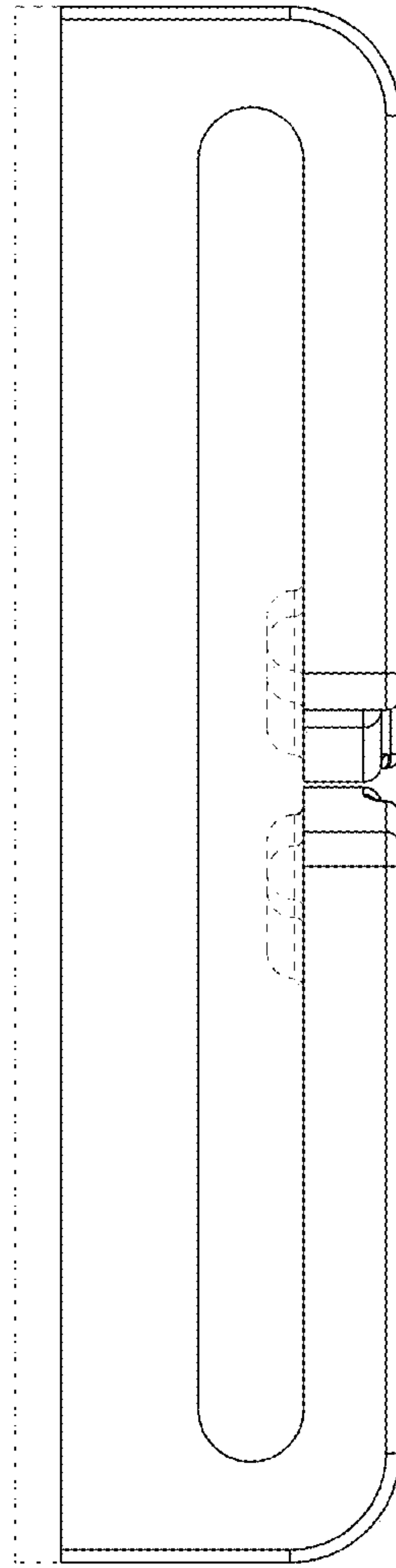


FIG. 7

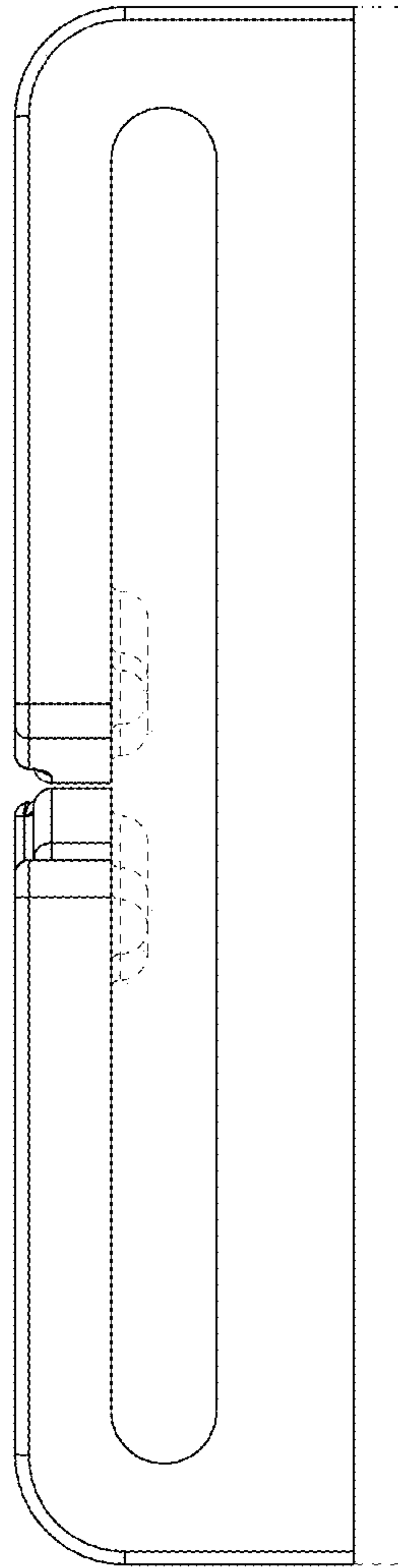


FIG. 8

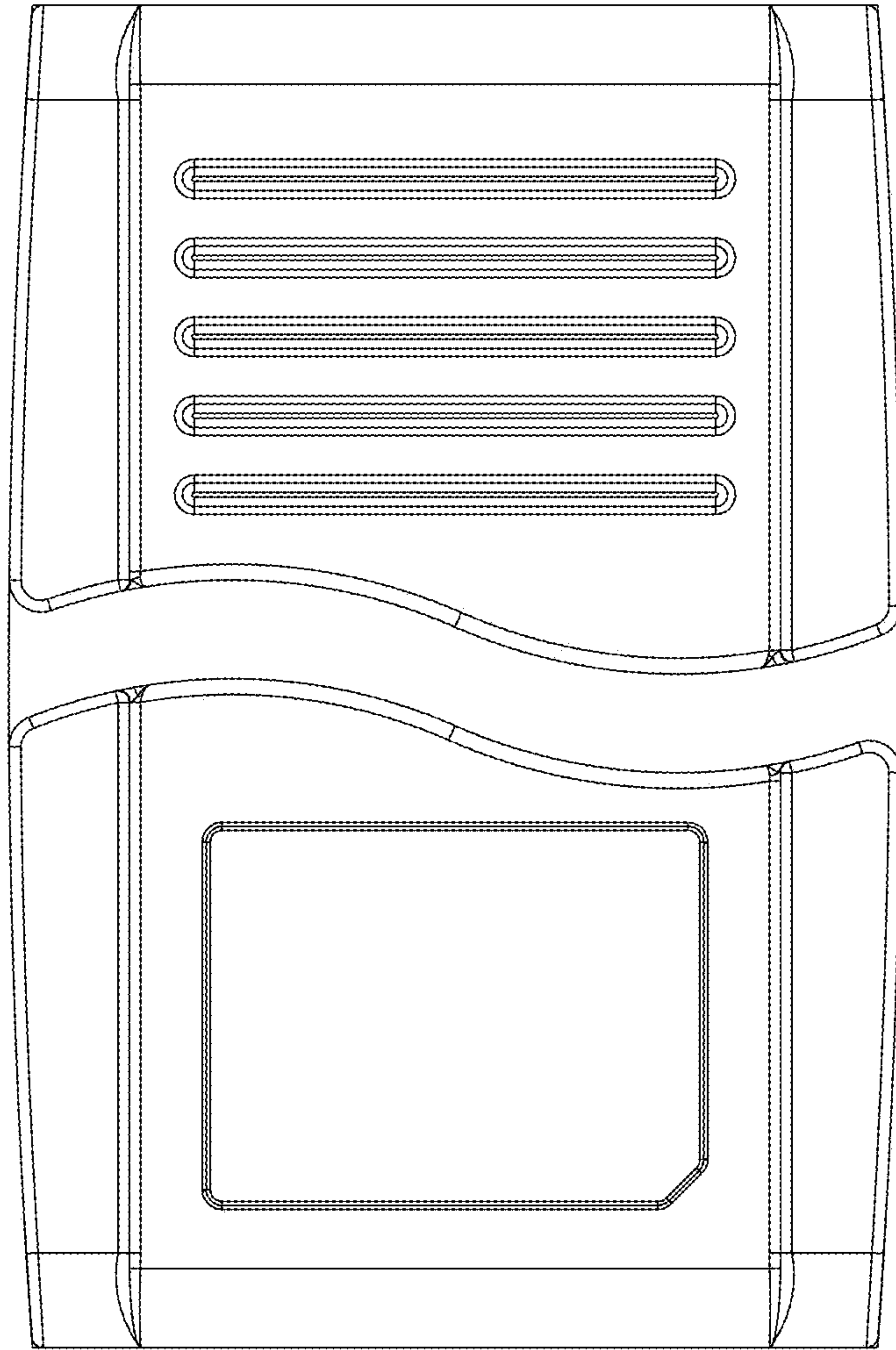


FIG. 9



FIG. 10