



US00D901326S

(12) **United States Design Patent** (10) **Patent No.:** **US D901,326 S**
Briggs (45) **Date of Patent:** **** Nov. 10, 2020**

(54) **PLANTER**

(71) Applicant: **GardenByte, Inc.**, Cambridge, MA (US)

(72) Inventor: **Randall M. Briggs**, Cambridge, MA (US)

(73) Assignee: **GardenByte, Inc.**, Cambridge, MA (US)

(**) Term: **15 Years**

(21) Appl. No.: **29/666,235**

(22) Filed: **Oct. 11, 2018**

(51) **LOC (12) Cl.** **11-02**

(52) **U.S. Cl.**
USPC **D11/148**

(58) **Field of Classification Search**
USPC D11/143–156, 164; D3/304, 307, 315;
D6/691.6, 692.4, 403–405, 556–558;
D7/509, 554.3; D34/5
CPC . A47G 7/02; A47G 7/04; A47G 7/041; A47G
7/042; A47G 7/044; A47G 7/045; A47G
7/047; A47G 7/06; A47G 7/063; A47G
7/08; A47G 2007/048; A01G 2009/003;
A01G 9/02; A01G 9/021; A01G 9/022;
A01G 9/026; A01G 9/028; A01G 9/029;
A01G 9/0293; A01G 9/0299; A01G
9/033; A01G 9/04; A01G 9/045; A01G
9/047

See application file for complete search history.

(56) **References Cited**

U.S. PATENT DOCUMENTS

D20,641 S * 3/1891 Doty D3/309
450,112 A * 4/1891 Snow B65D 9/10
217/122

(Continued)

Primary Examiner — Elizabeth A. Albert

(74) *Attorney, Agent, or Firm* — Reising Ethington P.C.

(57) **CLAIM**

The ornamental design for a planter, as shown and described.

DESCRIPTION

FIG. 1 is a front, right, and top perspective view of a planter showing my new design;

FIG. 2 is a back, left, and top perspective view thereof;

FIG. 3 is a front view thereof;

FIG. 4 is a back view thereof;

FIG. 5 is a right side view thereof (where the left side view is a mirror image of the right side view);

FIG. 6 is a top view thereof;

FIG. 7 is a bottom view thereof;

FIG. 8 is a back, left, and bottom perspective view thereof;

FIG. 9 is a front, right, and bottom perspective view thereof;

FIG. 10 is a front, right, and top perspective view of another embodiment of the planter shown in FIGS. 1-9;

FIG. 11 is a back, left, and top perspective view of the embodiment of FIG. 10;

FIG. 12 is a front view of the embodiment of FIG. 10;

FIG. 13 is a back view of the embodiment of FIG. 10;

FIG. 14 is a right side view of the embodiment of FIG. 10 (where the left side view is a mirror image of the right side view);

FIG. 15 is a top view of the embodiment of FIG. 10;

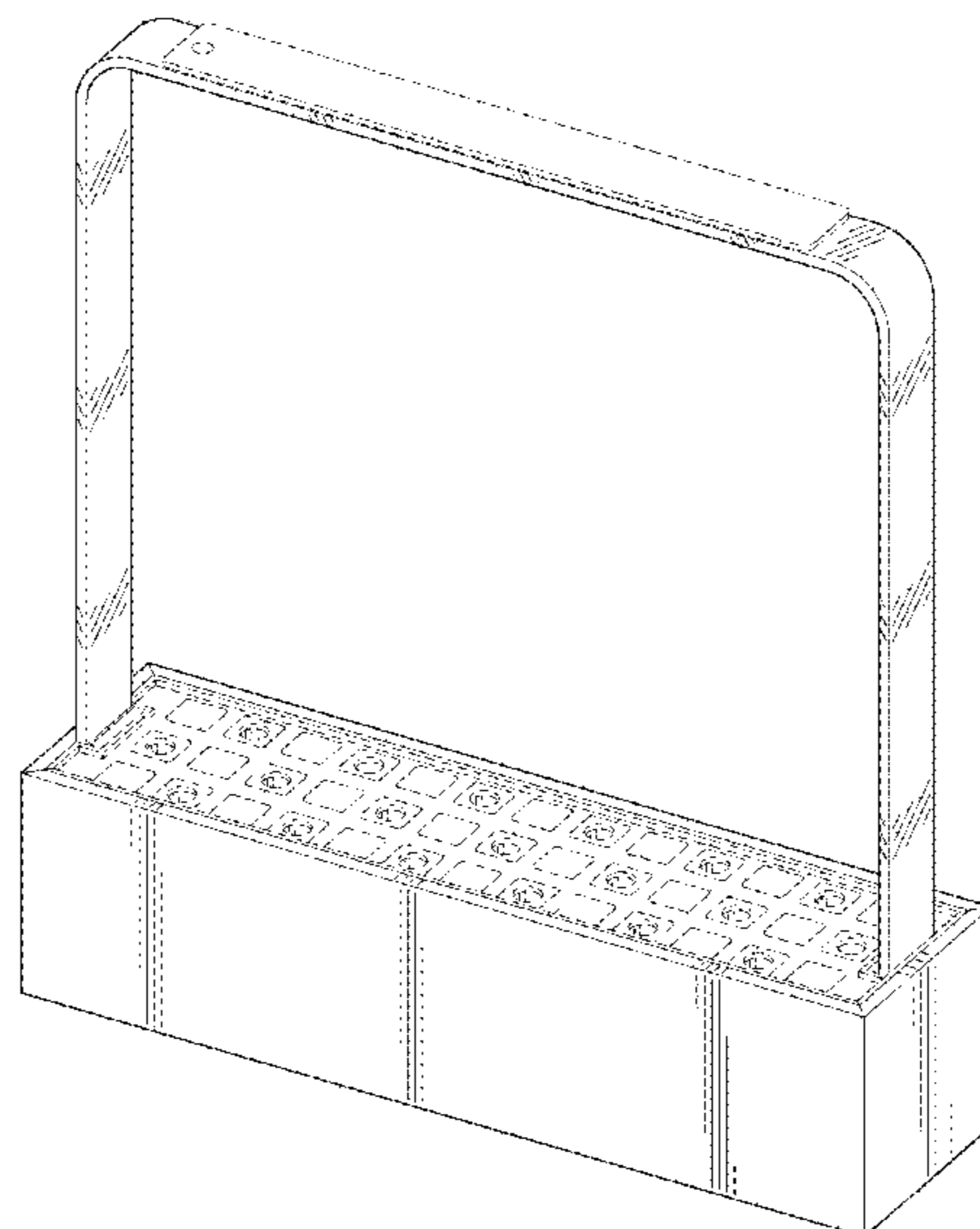
FIG. 16 is a bottom view of the embodiment of FIG. 10;

FIG. 17 is a back, left, and bottom perspective view of the embodiment of FIG. 10; and,

FIG. 18 is a front, right, and bottom view of the embodiment of FIG. 10.

The broken lines in the drawings illustrate portions of the planter that form no part of the claimed design. The broken away symbols in the drawings indicate that the appearance of any portion of the planter between the break lines forms no part of the claimed design.

1 Claim, 16 Drawing Sheets



(56)

References Cited

U.S. PATENT DOCUMENTS

D55,023 S * 5/1920 Blood D3/308
 1,563,730 A * 12/1925 Dreher B65D 25/2873
 217/122
 1,642,415 A * 9/1927 Florang F25D 3/08
 217/122
 D81,809 S * 8/1930 Ringel D11/148
 2,167,936 A * 8/1939 Brooks B65D 5/46024
 229/117.25
 2,194,898 A * 3/1940 Hanford B65D 25/2817
 294/31.2
 D155,392 S * 10/1949 Danielson D3/309
 2,580,879 A * 1/1952 Belokin, Jr. A47J 47/18
 383/3
 2,645,406 A * 7/1953 Robins B65D 5/46024
 229/117.25
 2,808,171 A * 10/1957 Wilson B65D 21/0234
 217/124
 D182,369 S * 3/1958 Marchesini et al. D32/53
 2,938,656 A * 5/1960 Bertram B65D 5/46024
 229/117.25
 D201,807 S * 8/1965 Burkett D22/136
 3,265,022 A * 8/1966 Kaufman B65D 7/34
 72/29.2
 3,726,470 A * 4/1973 Naylor B65D 5/2047
 229/117.25
 D234,616 S * 3/1975 Meyers D21/465
 4,484,682 A * 11/1984 Crow A45C 11/20
 206/541
 D283,480 S * 4/1986 Bailey D7/605
 4,667,484 A * 5/1987 Tarozzi A45C 11/20
 220/318
 D305,714 S * 1/1990 Carlson D7/605
 D311,476 S * 10/1990 Kumakura D7/605
 D311,800 S * 10/1990 Kiiski D3/304
 D320,413 S * 10/1991 Dietterich D19/85
 D325,853 S * 5/1992 Kahl D7/605
 D326,552 S * 5/1992 Goodell D3/312
 5,137,209 A * 8/1992 Roberts B65D 5/46024
 229/117.25
 D337,232 S * 7/1993 Kahl D7/605
 D340,624 S * 10/1993 Chen D7/709
 5,299,732 A * 4/1994 Armor B65D 5/46024
 229/117.22
 D369,468 S * 5/1996 Lacy D3/306
 D385,507 S * 10/1997 Hulsebus D11/156
 D389,091 S * 1/1998 Dickinson D11/156
 D391,077 S * 2/1998 Lacy D3/306
 D403,268 S * 12/1998 Dignam D11/156
 D408,633 S * 4/1999 Longaberger D3/306
 D409,837 S * 5/1999 Lacy D3/306
 D410,146 S * 5/1999 Longaberger D3/306
 D415,897 S * 11/1999 Lacy D3/277
 D416,683 S * 11/1999 Lacy D3/306
 D417,078 S * 11/1999 Dodds D3/306
 D426,386 S * 6/2000 Lacy D3/306
 D434,227 S * 11/2000 Lacy D3/306
 D436,444 S * 1/2001 Lacy D3/306
 6,237,472 B1 * 5/2001 Gates A47J 37/0786
 126/25 R

D443,984 S * 6/2001 Lacy D3/309
 D444,302 S * 7/2001 Jones D3/315
 D451,280 S * 12/2001 Snell D3/309
 D458,450 S * 6/2002 Lacy D3/306
 D458,754 S * 6/2002 Lacy D3/306
 D459,270 S * 6/2002 Kumar D11/156
 D459,889 S * 7/2002 Lacy D3/306
 D459,890 S * 7/2002 Lacy D3/309
 D460,718 S * 7/2002 Beattie A47G 7/044
 D11/148
 D463,122 S * 9/2002 Lacy D3/306
 D463,913 S * 10/2002 Lacy D3/306
 D468,663 S * 1/2003 Fan D11/156
 D471,015 S * 3/2003 Lacy D3/307
 D491,802 S * 6/2004 Griffith D9/753
 D492,113 S * 6/2004 Bayer D3/310
 D515,810 S * 2/2006 Terwelp D3/276
 D519,829 S * 5/2006 Campo D9/418
 D525,032 S * 7/2006 Jones D3/315
 D530,919 S * 10/2006 Snell D3/304
 D536,172 S * 2/2007 Baez D3/304
 D591,510 S * 5/2009 Auer D3/304
 D596,528 S * 7/2009 Gurewitsch D11/151
 D602,694 S * 10/2009 Alvarez D3/315
 D612,608 S * 3/2010 Snell D3/304
 D634,669 S * 3/2011 Brandstatter D11/152
 D636,952 S * 4/2011 Baldwin D32/3
 D639,612 S * 6/2011 Huang D7/608
 D642,742 S * 8/2011 Hawkins Ervin D28/75
 D646,103 S * 10/2011 Saunders D7/301
 D657,164 S * 4/2012 Grimaldi D32/53
 8,393,113 B2 * 3/2013 Rex A47B 96/00
 47/66.6
 D680,439 S * 4/2013 Reetz D9/643
 D688,940 S * 9/2013 Barratt D9/432
 8,573,002 B2 * 11/2013 Ledoux F25D 3/08
 220/23.87
 D700,002 S * 2/2014 Lupo, Jr. D7/354
 D730,192 S * 5/2015 Zwettler D9/428
 D740,716 S * 10/2015 Fenn D11/156
 D760,497 S * 7/2016 Martin D3/304
 D763,684 S * 8/2016 O'Neill D9/432
 D775,465 S * 1/2017 Aller D3/304
 D788,467 S * 6/2017 Ma A45C 15/06
 D3/308
 D798,056 S * 9/2017 Aylward D3/307
 D798,146 S * 9/2017 Goenka D9/432
 D800,600 S * 10/2017 Fenn D11/156
 D806,391 S * 1/2018 Ghiorghie D3/304
 D821,154 S * 6/2018 Lane D7/605
 D823,156 S * 7/2018 Woltz D11/148
 D837,611 S * 1/2019 Lane D7/605
 D864,018 S * 10/2019 Fishman D11/148
 D866,013 S * 11/2019 Panagiotis D26/9
 2002/0139047 A1 * 10/2002 Haddad A01G 9/02
 47/66.1
 2007/0029327 A1 * 2/2007 Belokin B65D 25/22
 220/483
 2007/0122760 A1 * 5/2007 Dycus F24C 3/006
 431/289
 2016/0029572 A1 * 2/2016 Stott A01G 9/0297
 47/66.7

* cited by examiner

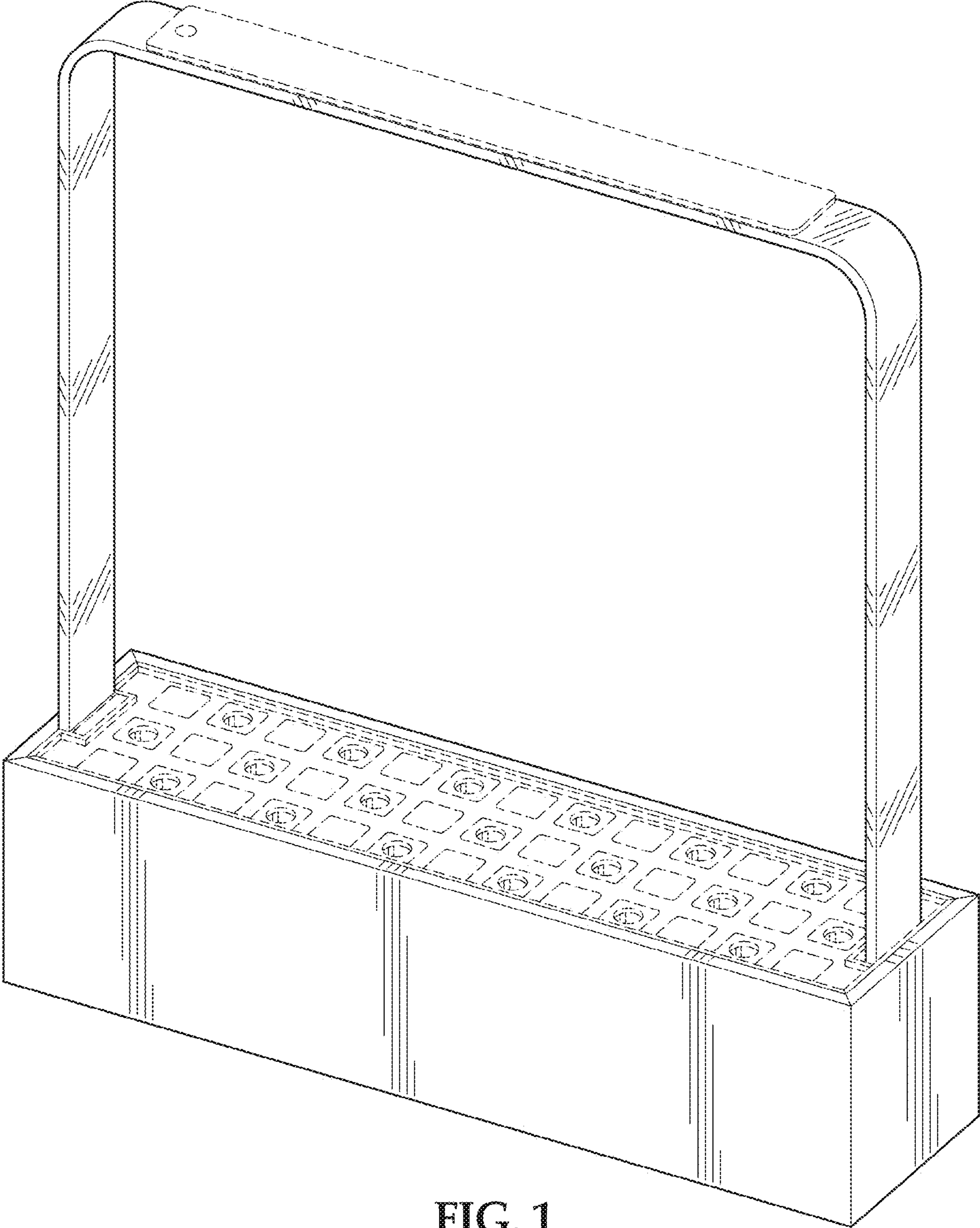


FIG. 1

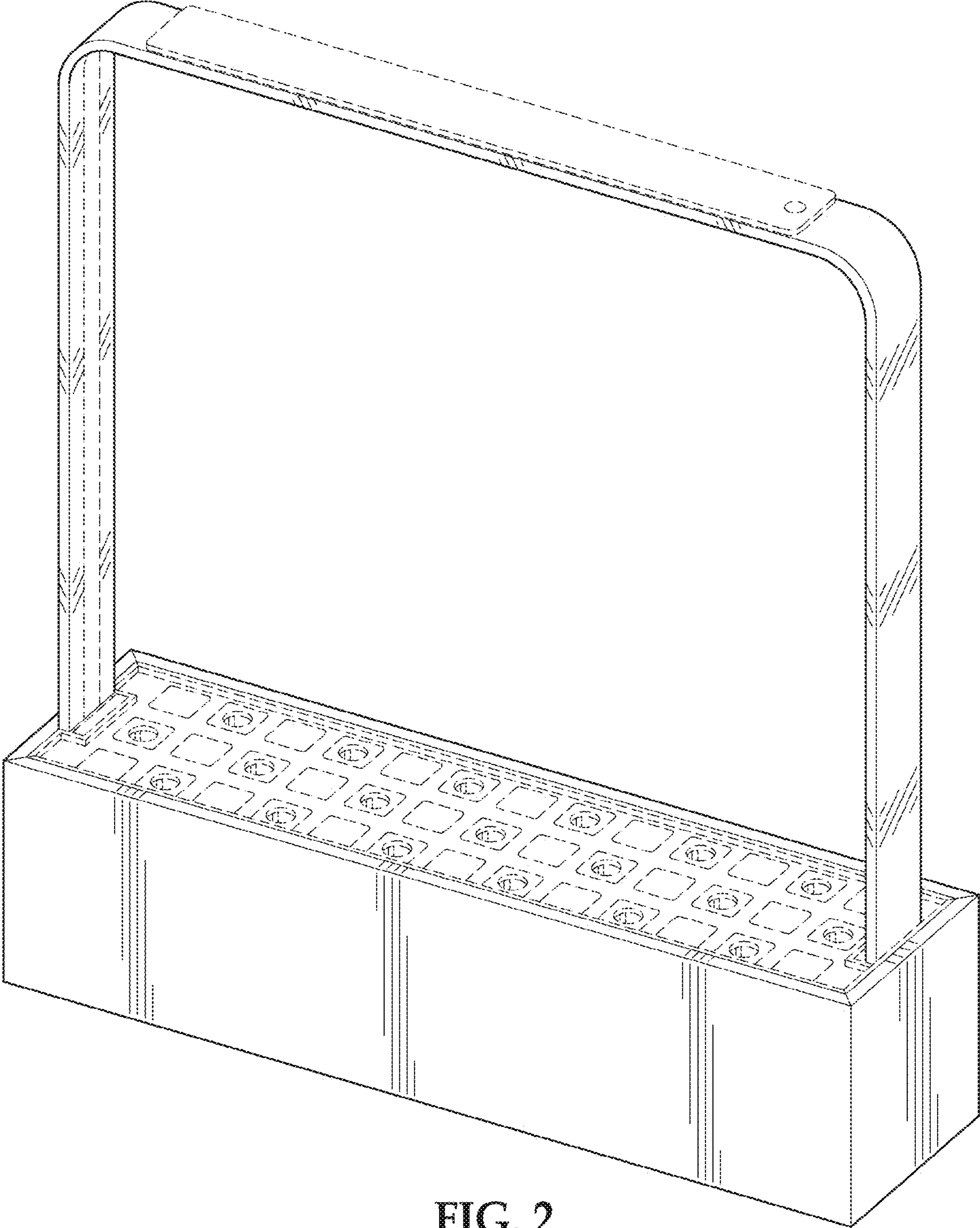


FIG. 2

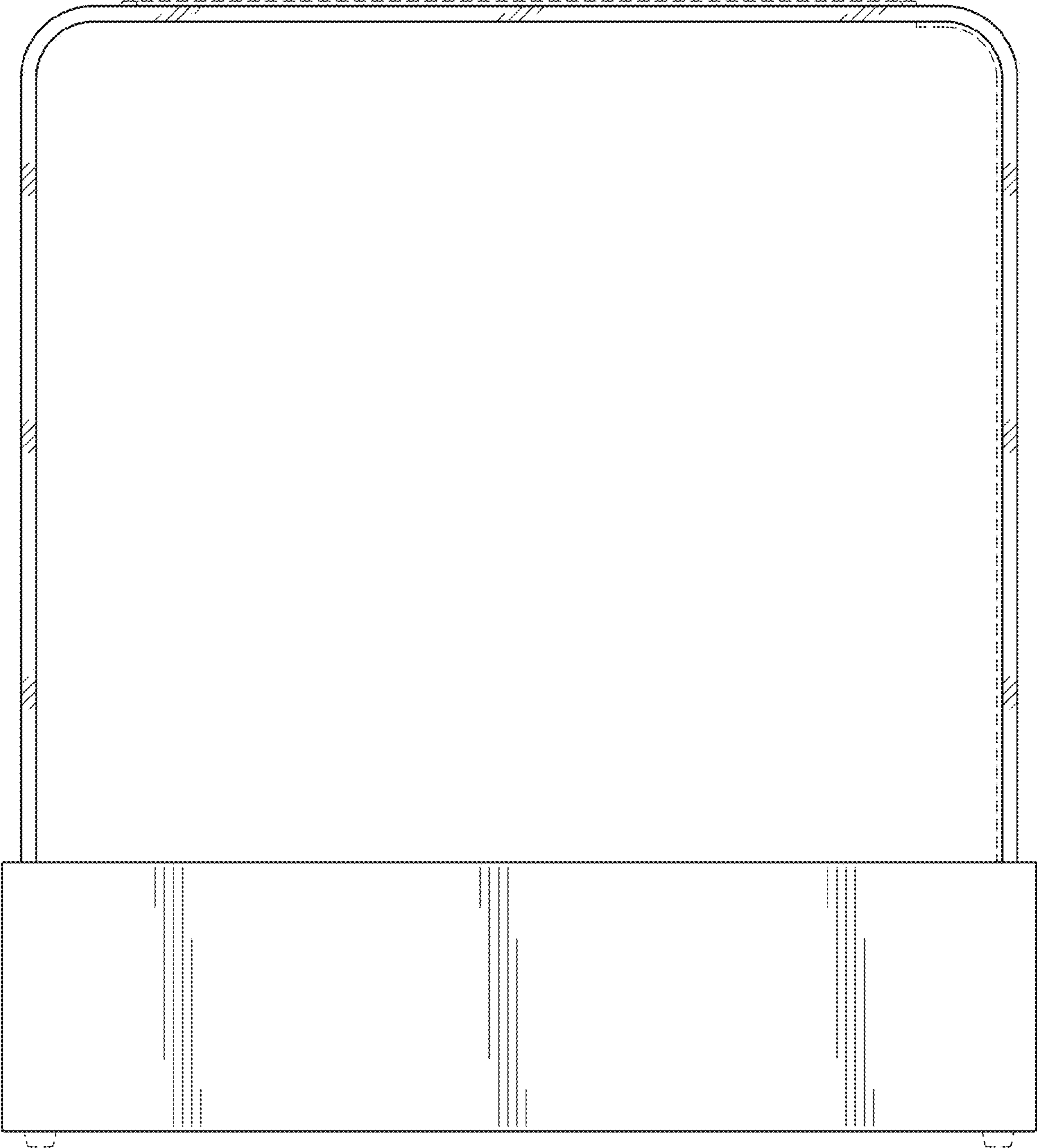


FIG. 3

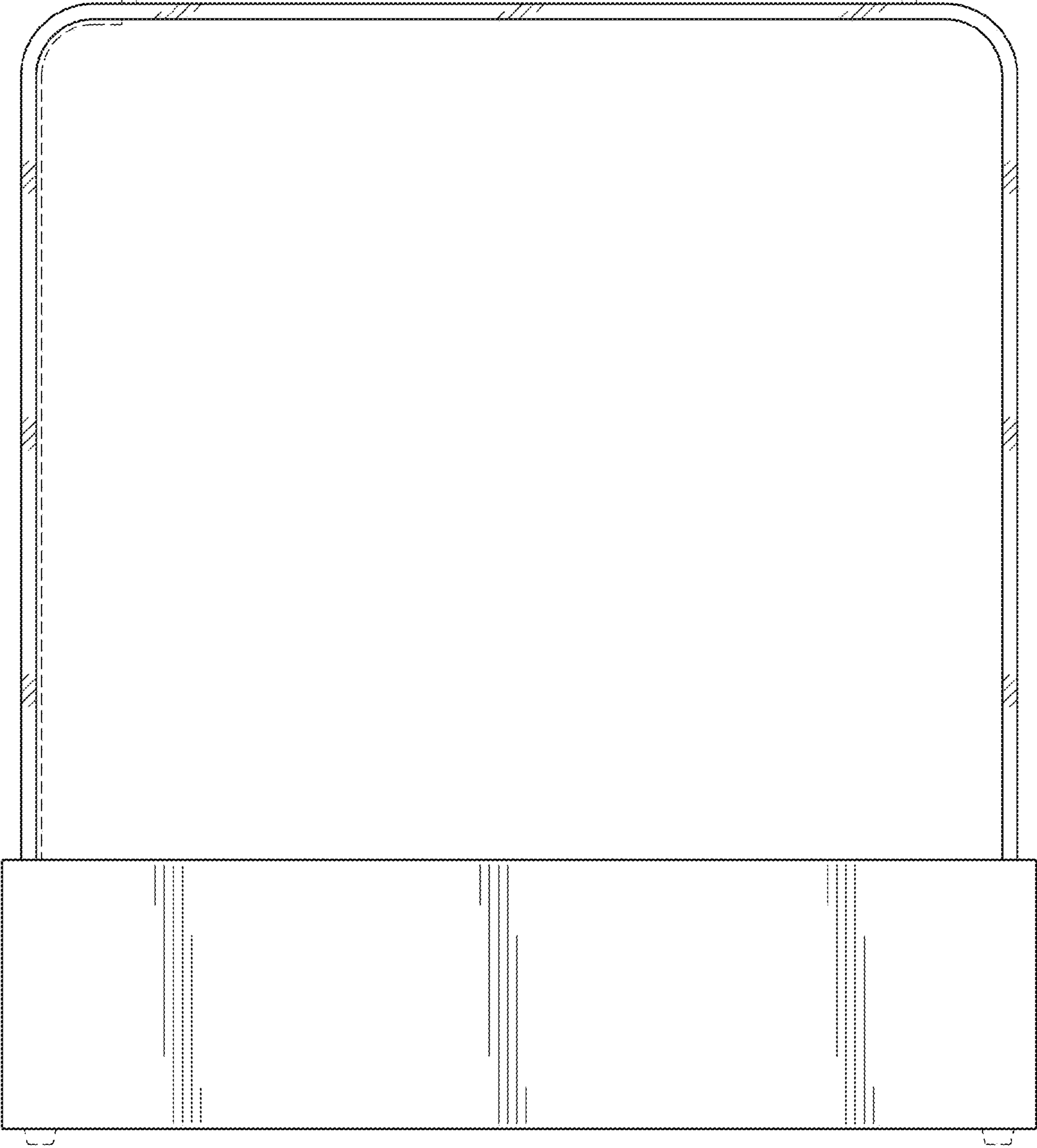


FIG. 4

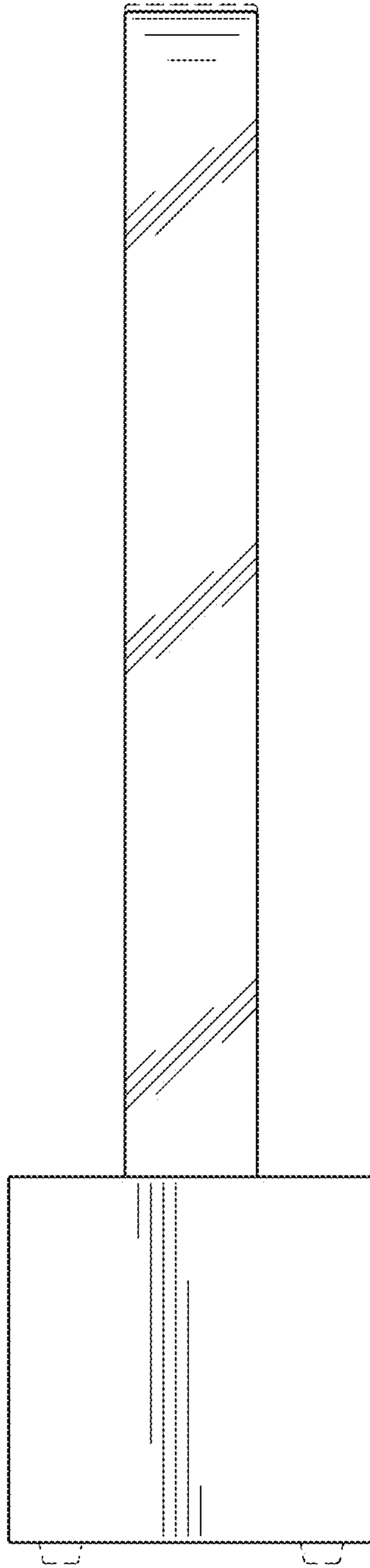


FIG. 5

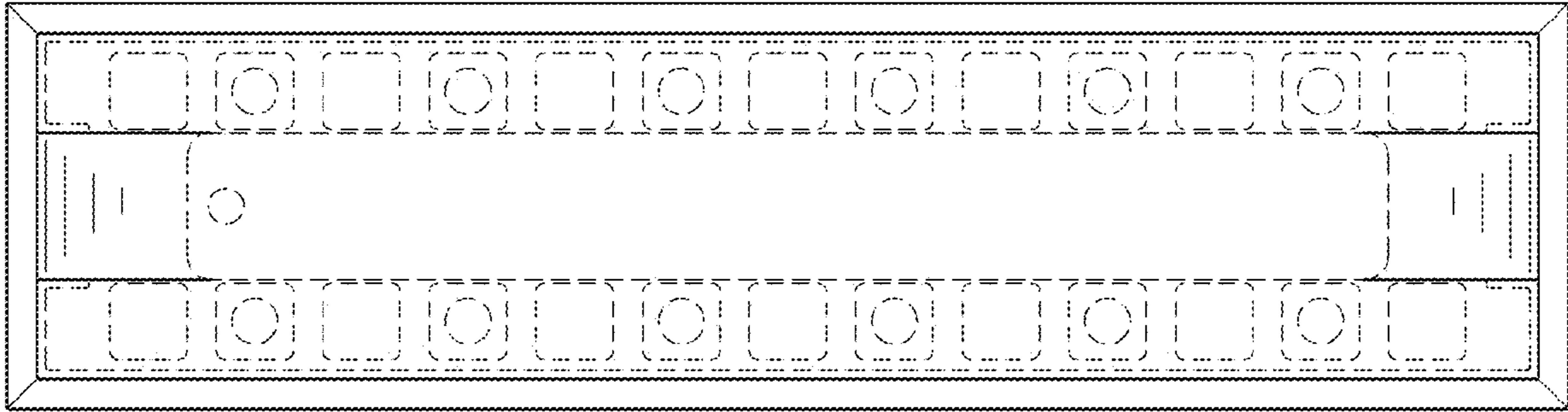


FIG. 6

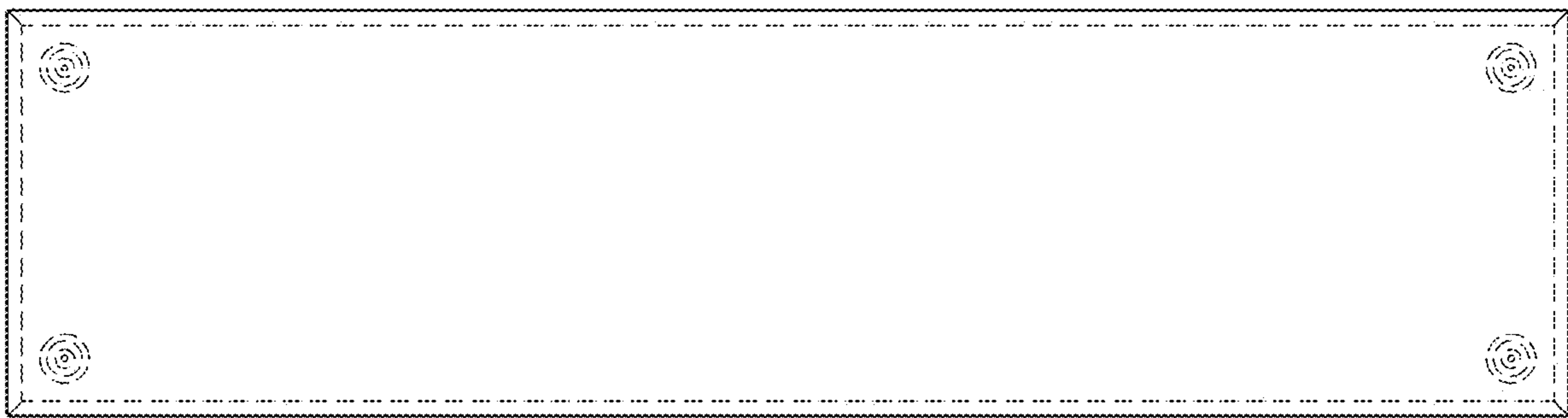


FIG. 7

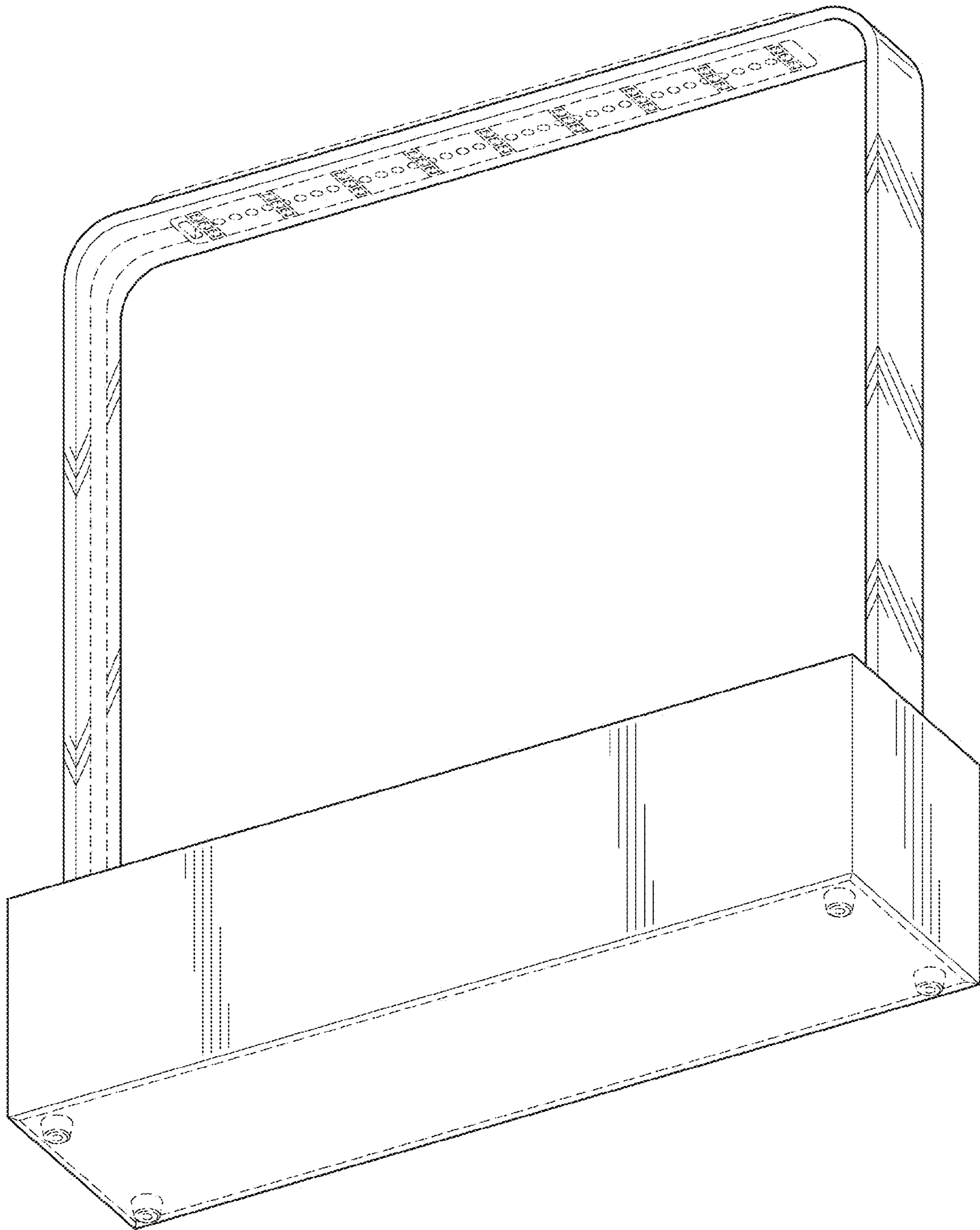


FIG. 8

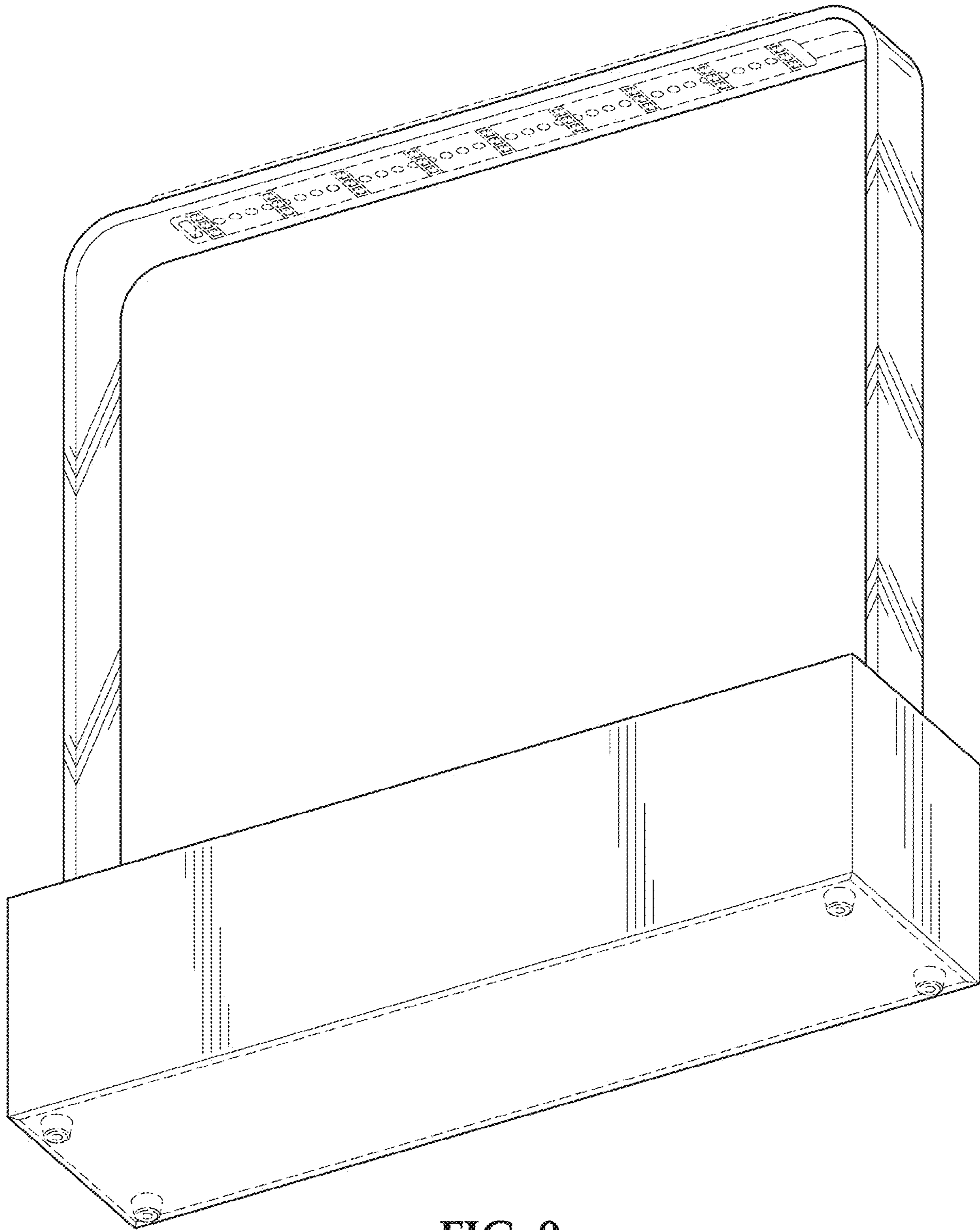


FIG. 9

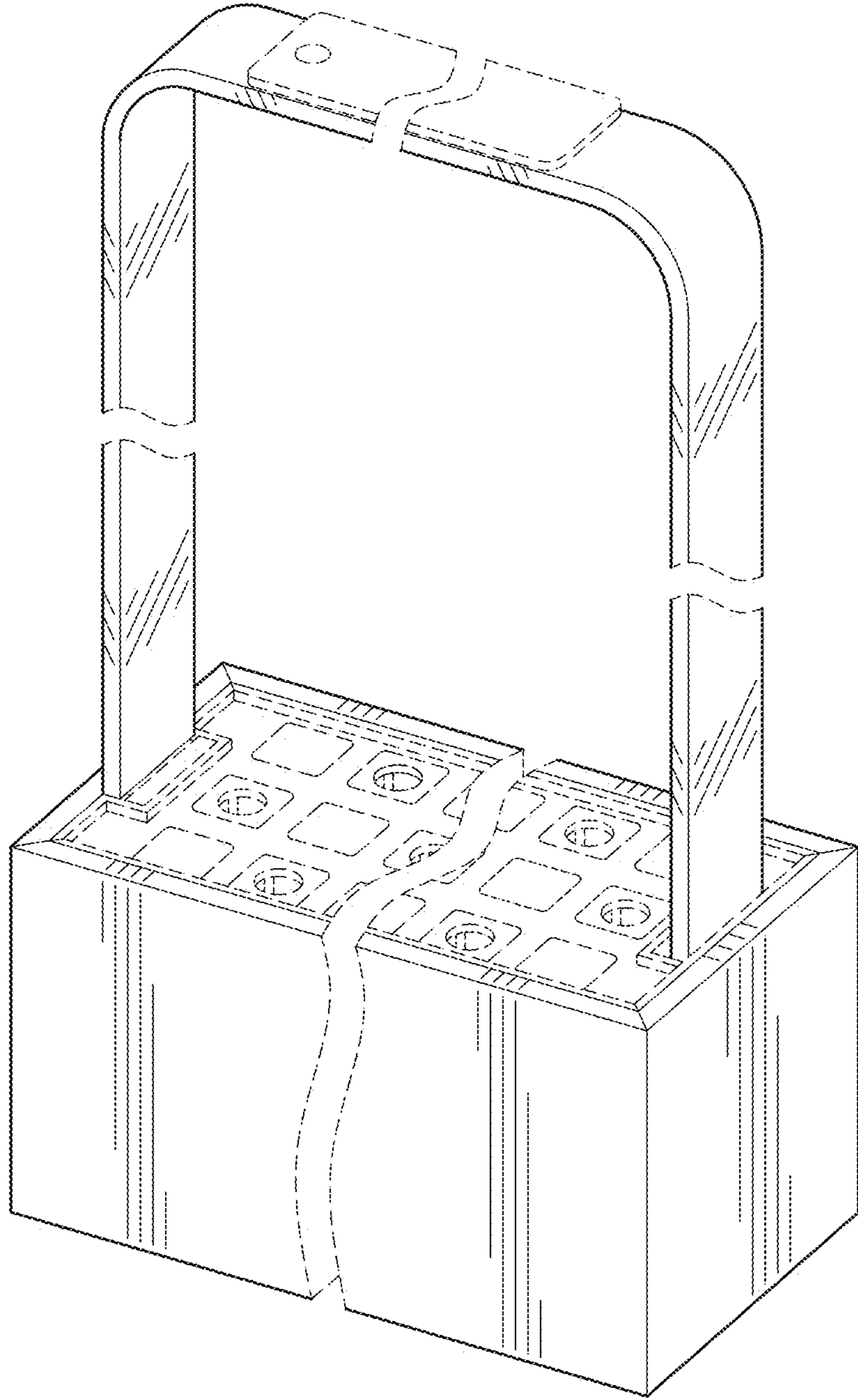


FIG. 10

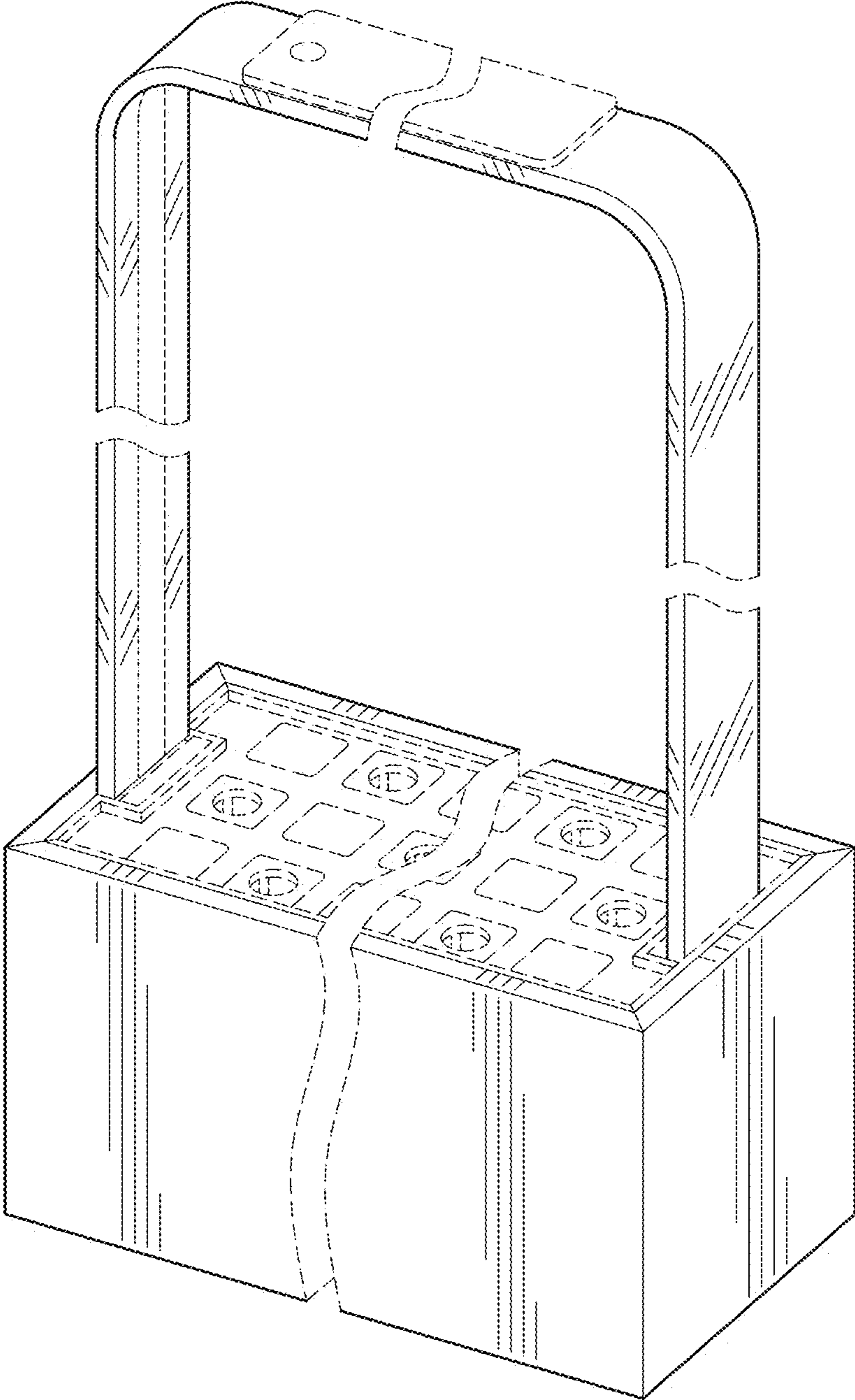


FIG. 11

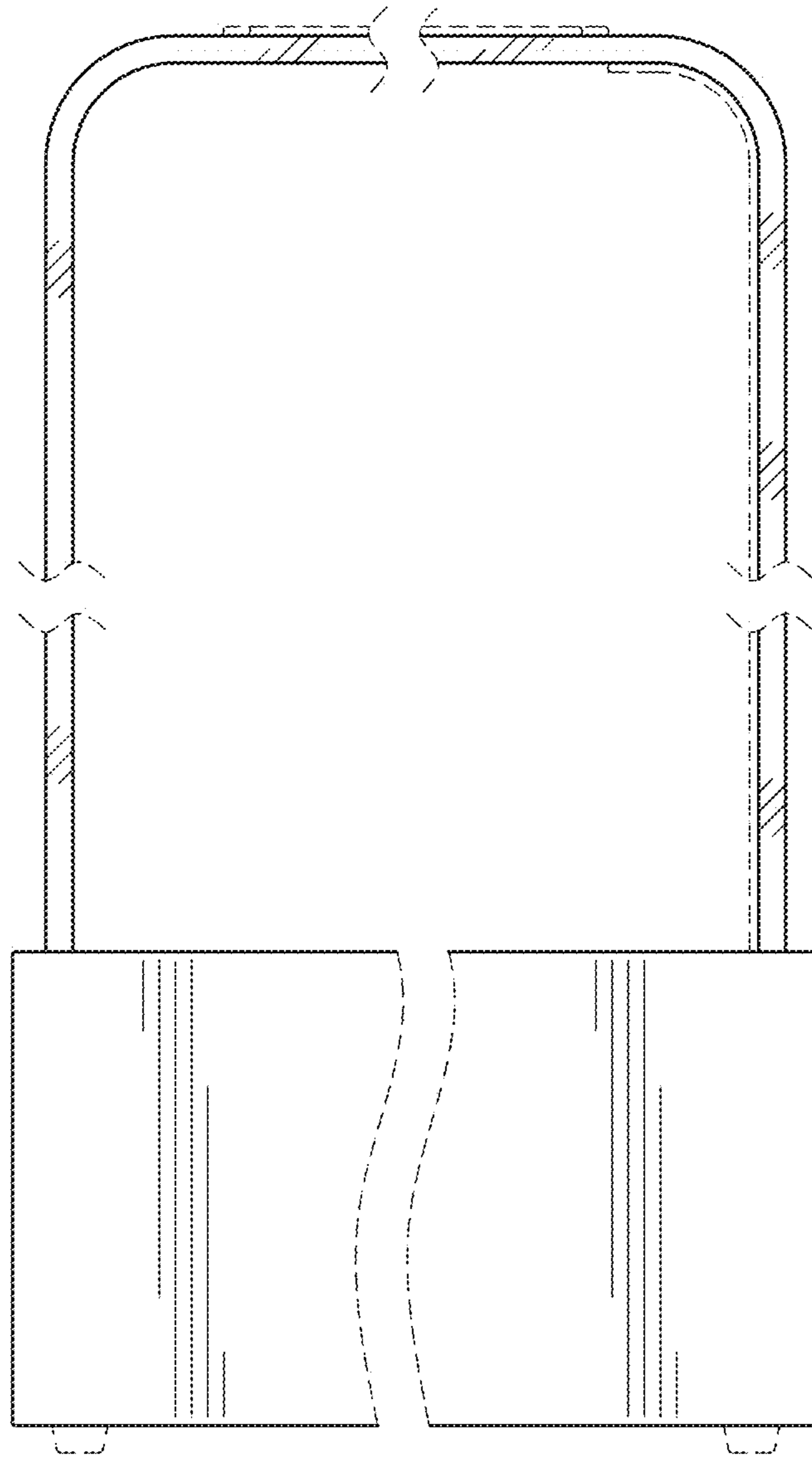


FIG. 12

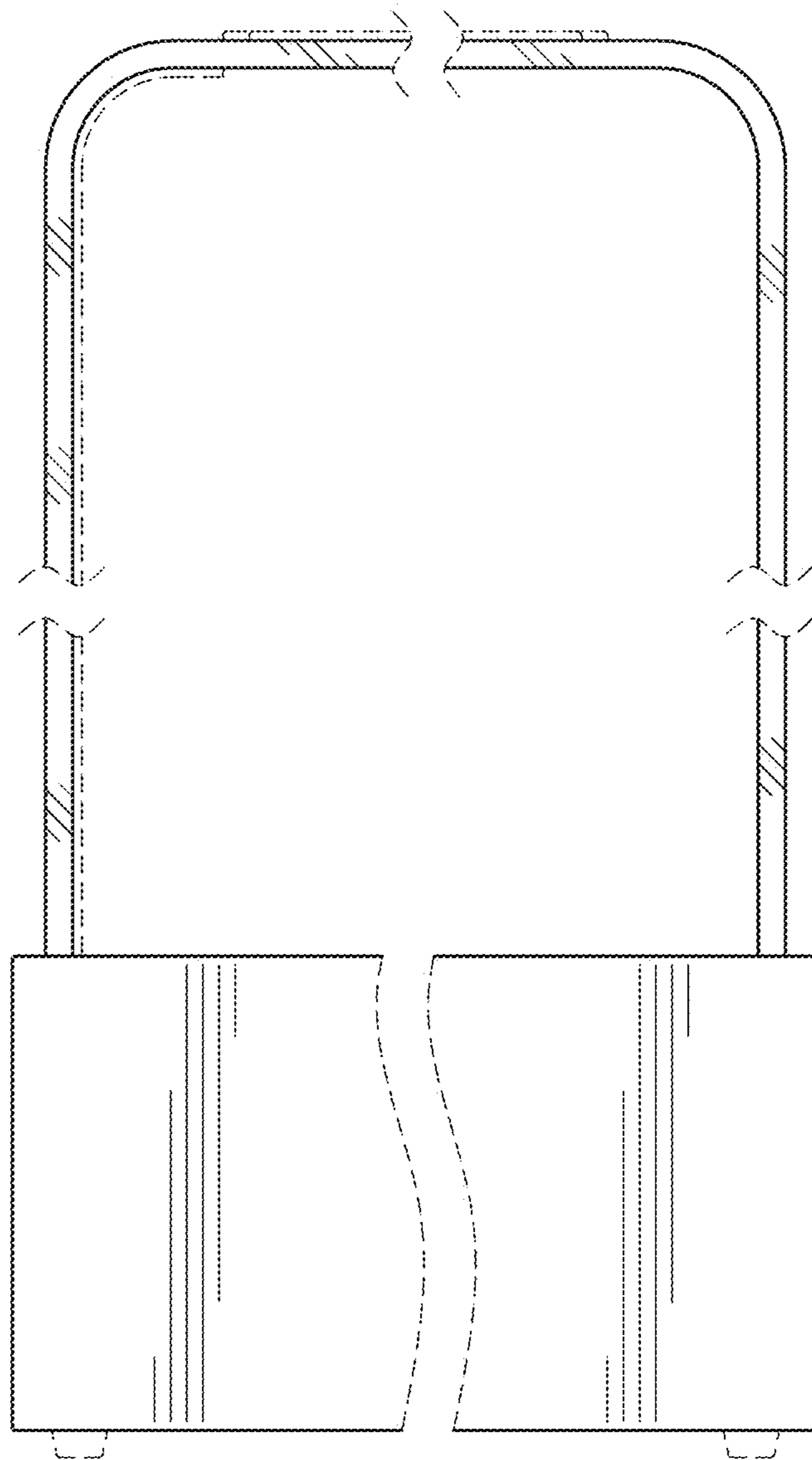


FIG. 13

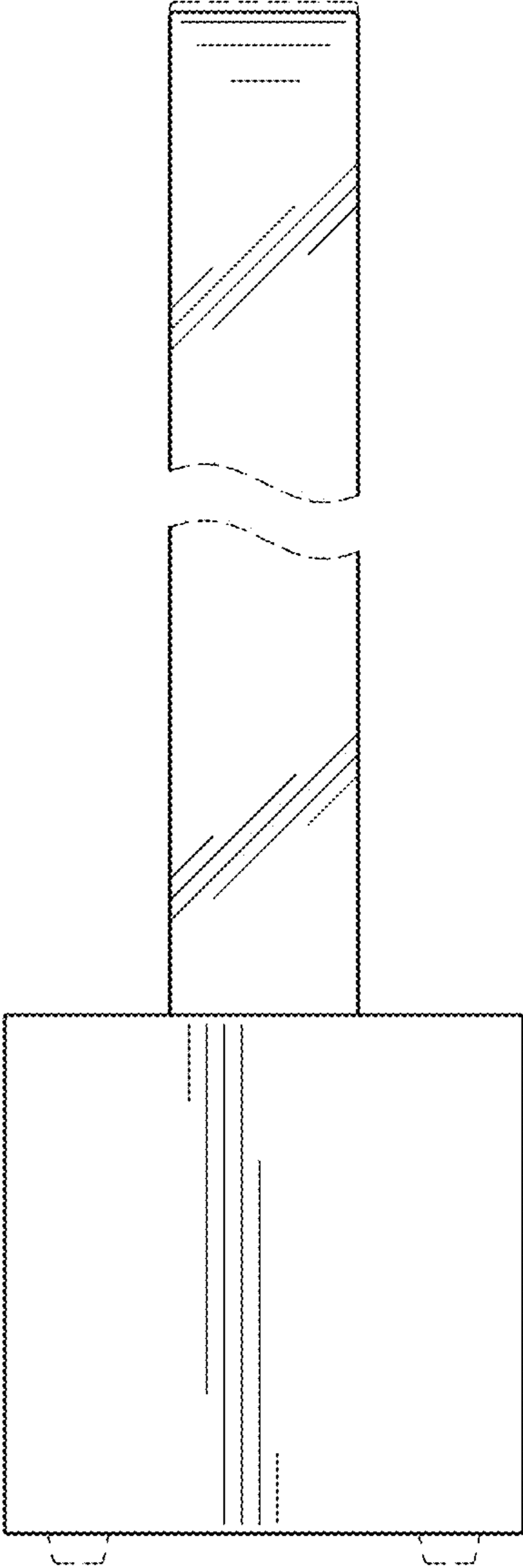


FIG. 14

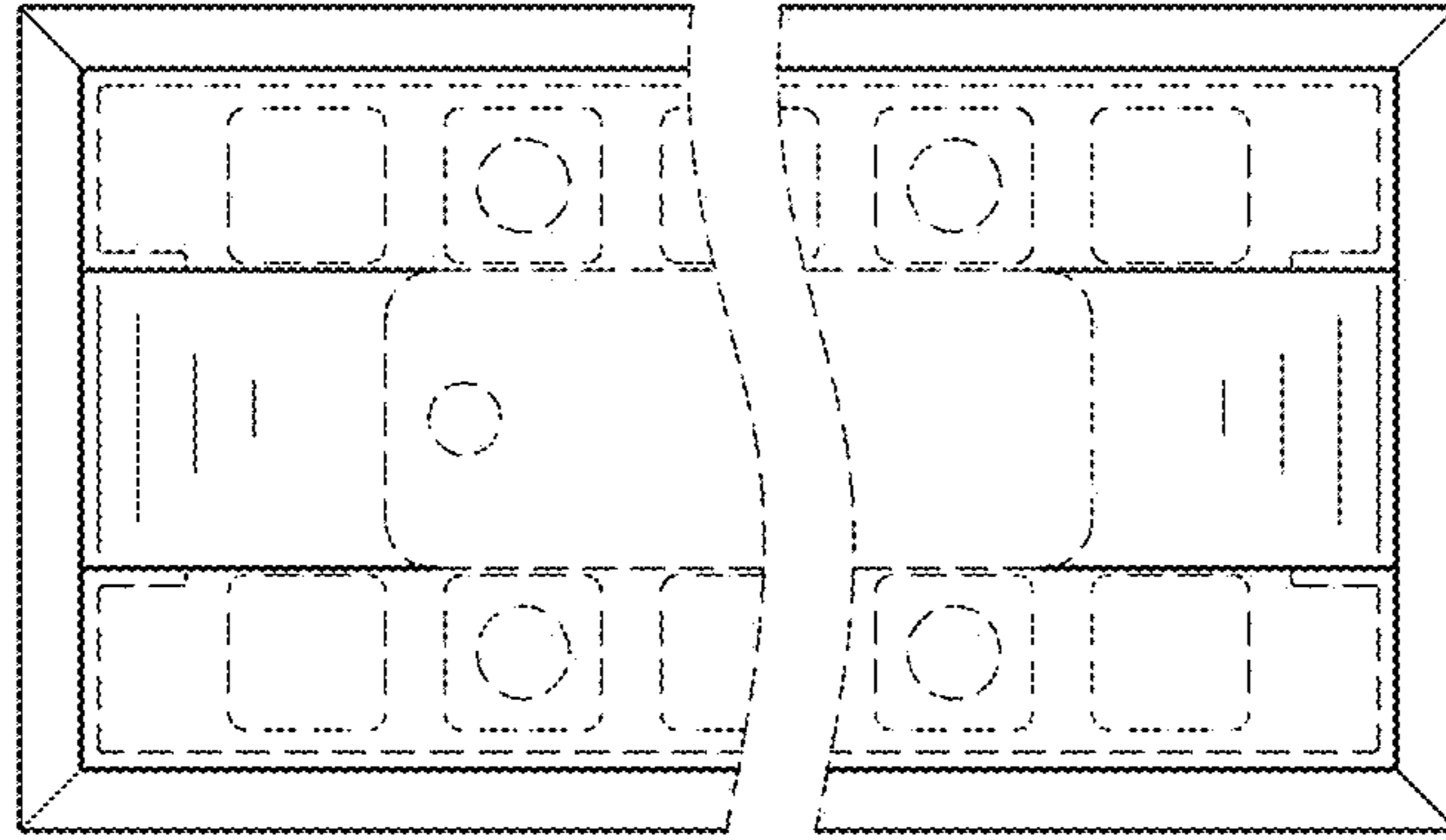


FIG. 15

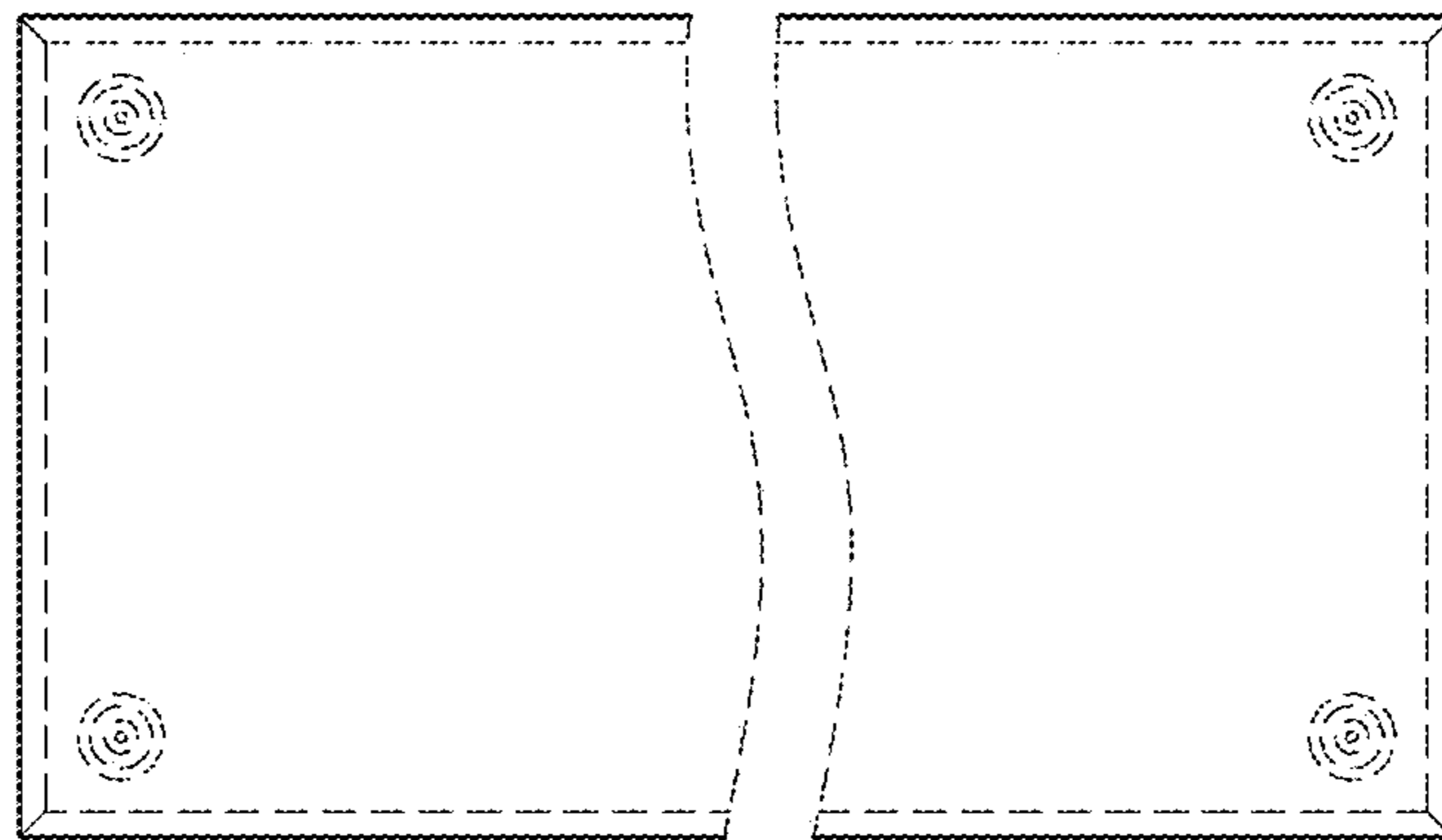


FIG. 16

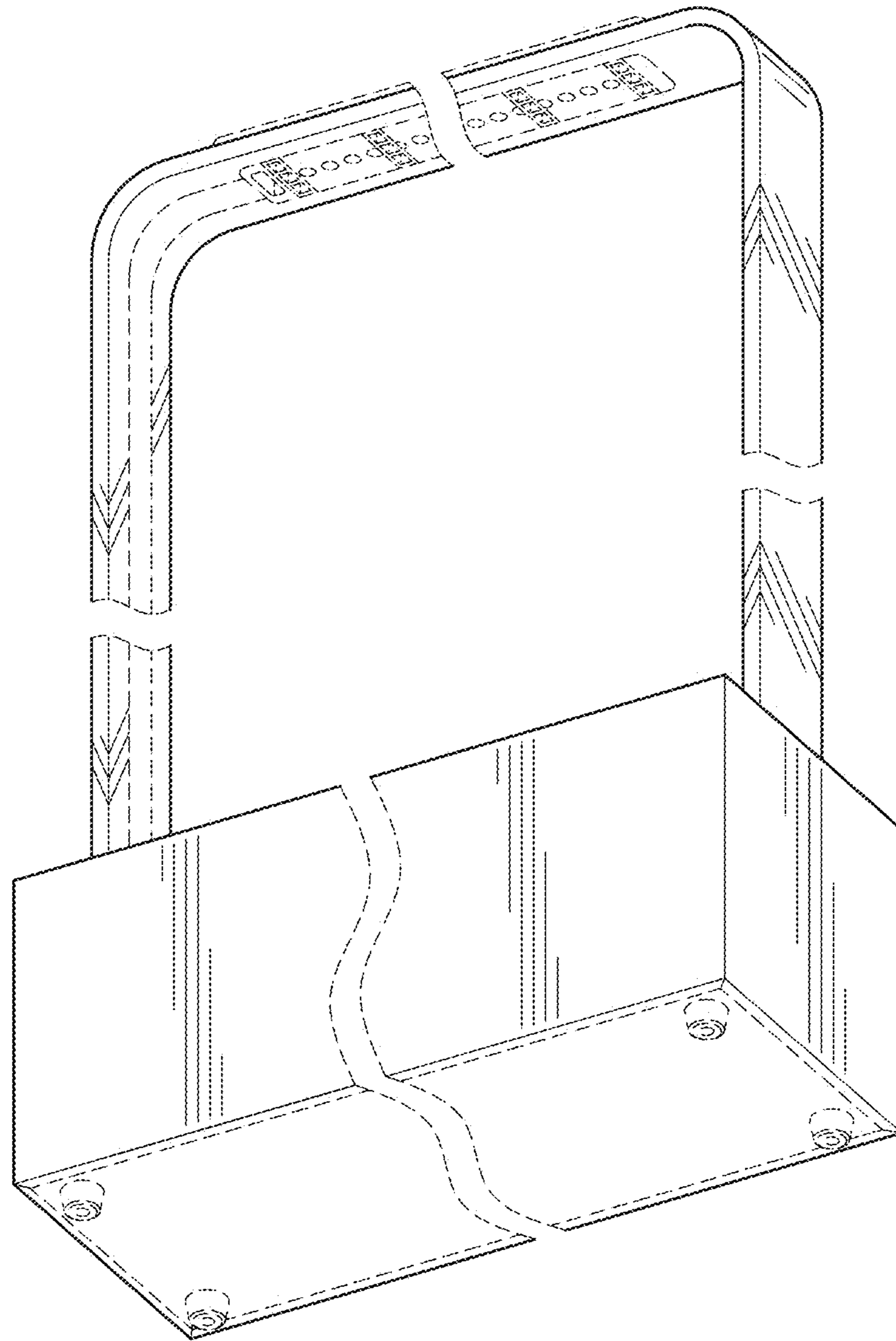


FIG. 17

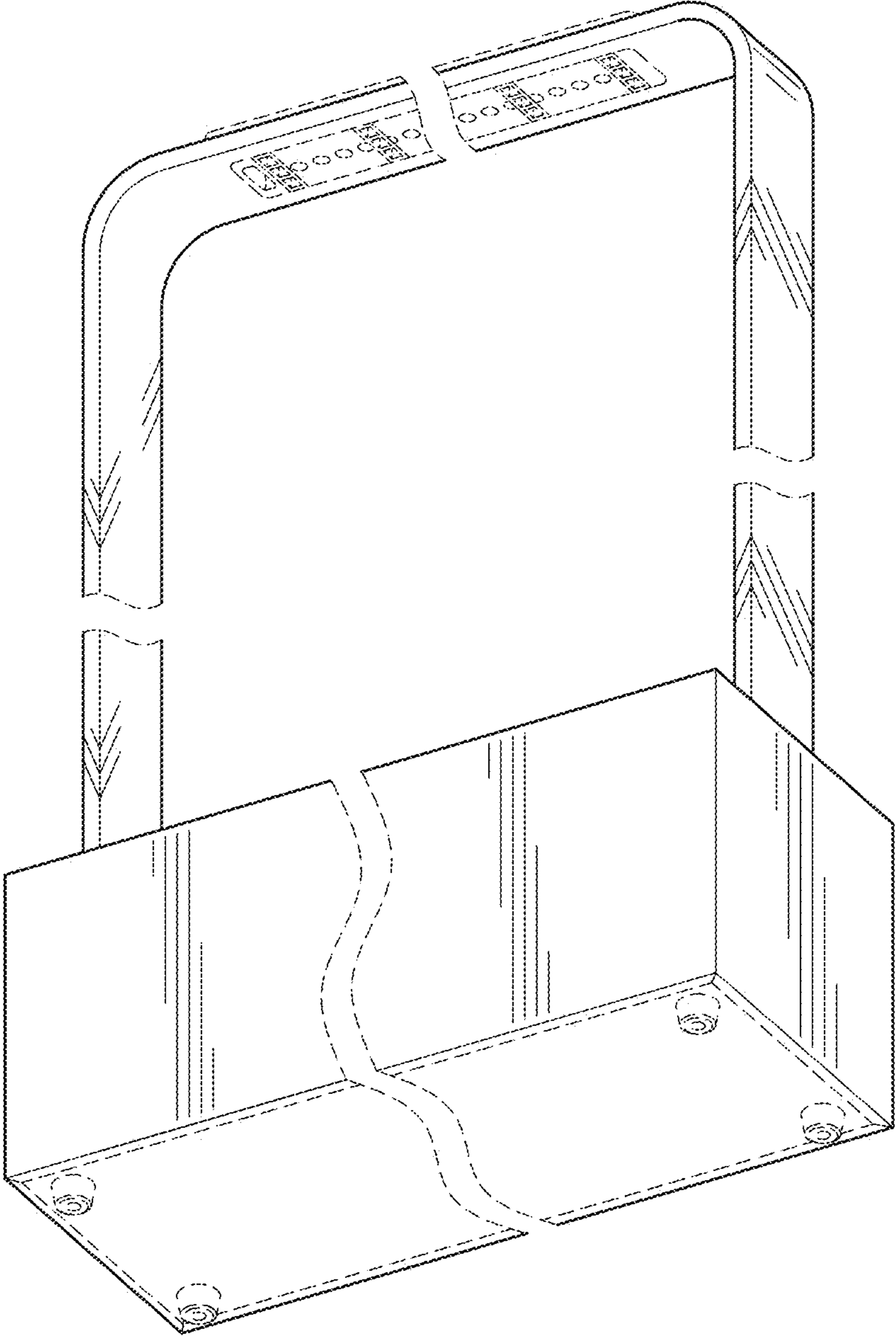


FIG. 18