



US00D901321S

(12) **United States Design Patent** (10) **Patent No.:** **US D901,321 S**  
**Riot et al.** (45) **Date of Patent:** **\*\* Nov. 10, 2020**

(54) **SET OF BANDS FOR A WATCH OR SMART WATCH**

(71) Applicant: **Fitbit, Inc.**, San Francisco, CA (US)

(72) Inventors: **Benjamin Patrick Robert Jean Riot**, San Francisco, CA (US); **Brian Dennis Paschke**, San Francisco, CA (US); **Eric John Fairbanks**, Lafayette, CA (US); **Anthony Gerald Kern**, Pleasant Hill, CA (US); **Jonah Avram Becker**, San Francisco, CA (US); **Ching-Lung Hsu**, Taipei (TW); **Stephen Ronald Smilovitz**, Belmont, CA (US); **Jens Mitchell Nielsen**, San Francisco, CA (US); **Christopher Alan Porter**, Tiburon, CA (US)

(73) Assignee: **FITbit, inc.**, San Francisco, CA (US)

(\*\*) Term: **15 Years**

(21) Appl. No.: **29/728,402**

(22) Filed: **Mar. 18, 2020**

**Related U.S. Application Data**

(63) Continuation of application No. 29/712,571, filed on Nov. 8, 2019.

(51) **LOC (12) Cl.** ..... **11-01**

(52) **U.S. Cl.**  
USPC ..... **D11/3; D24/186; D14/344**

(58) **Field of Classification Search**  
USPC .. **D14/138 R, 144, 341, 344, 358, 388, 218; D10/30-39, 70, 98; D11/3, 4, 26, 93-94,**  
(Continued)

(56) **References Cited**

**U.S. PATENT DOCUMENTS**

2,258,957 A 10/1941 Orenbach  
D295,965 S 5/1988 Murphy

(Continued)

**FOREIGN PATENT DOCUMENTS**

CH 135962 5/2009  
CN 204908249 U 12/2015

(Continued)

**OTHER PUBLICATIONS**

POY Compatible Bands Replacement for Fitbit Alta, Fitbit Alta HR sold on Amazon. Website accessed Mar. 1, 2019.

(Continued)

*Primary Examiner* — Michelle E. Wilson

*Assistant Examiner* — Kristin E Reed

(74) *Attorney, Agent, or Firm* — Polson Intellectual Property Law, PC; Margaret Polson

(57) **CLAIM**

The ornamental design for a set of bands for a watch or smart watch, as shown and described.

**DESCRIPTION**

FIG. 1 is a top side isometric view of our new design for a set of bands for a watch or smart watch.

FIG. 2 is a top side plan is a view of FIG. 1.

FIG. 3 is a bottom side plan view of FIG. 1.

FIG. 4 is a left side elevation view of FIG. 1.

FIG. 5 is a right side elevation view of FIG. 1.

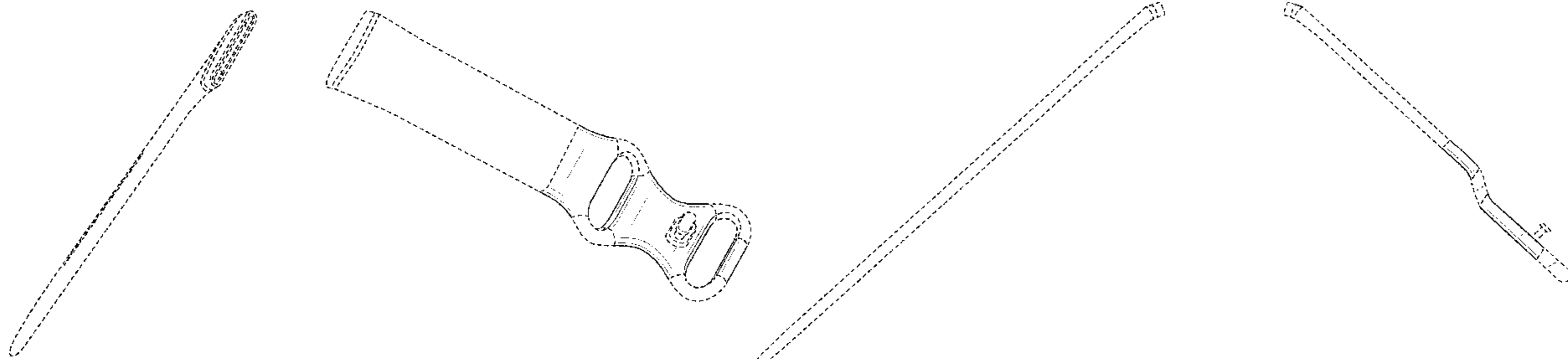
FIG. 6 is a front side elevation view of FIG. 1.

FIG. 7 is a back side elevation view of FIG. 1; and,

FIG. 8 is an isometric view of the set of bands of FIG. 1 in the worn configuration.

The features shown in broken lines in the drawings depict portions of the set of bands for a watch or smart watch that form no part of the claimed design.

**1 Claim, 7 Drawing Sheets**



(58) **Field of Classification Search**

USPC ..... D11/78.1, 79, 86; D24/167, 169,  
D24/186–187, 164  
CPC ..... A41D 1/002; A41D 19/0034; G06F 1/04;  
G06F 1/08; G06F 1/10; G06F 1/14; G06F  
1/1626; G06F 1/1628; G06F 1/163; G06F  
1/1635; G06F 1/3203; H04B 1/3833;  
H04B 1/385; H04B 1/3888  
See application file for complete search history.

(56) **References Cited**

U.S. PATENT DOCUMENTS

D322,227	S	12/1991	Warhol	
D326,822	S	6/1992	Wuest	
D372,431	S	8/1996	Nguyen	
D386,979	S	12/1997	Kubisch	
6,056,625	A	5/2000	Fildan	
6,056,626	A	5/2000	Fildan	
6,059,634	A	5/2000	Fildan	
D709,874	S *	7/2014	Aumiller	D14/344
D724,469	S	3/2015	Akana et al.	
D725,533	S	3/2015	Riddiford et al.	
D726,056	S	4/2015	Riddiford et al.	
D727,197	S *	4/2015	Akana	D11/3
9,083,400	B2	7/2015	Liang et al.	
D736,652	S *	8/2015	Isaacs	D10/32
D737,156	S	8/2015	Akana et al.	
D740,152	S	10/2015	Vaughan et al.	
D758,234	S	6/2016	Riddiford et al.	
9,579,022	B2	2/2017	Chang et al.	
D781,738	S	3/2017	Lee et al.	
D793,269	S	8/2017	Magniez et al.	
D793,270	S	8/2017	Riddiford et al.	
D794,492	S	8/2017	Arrow et al.	
D796,045	S *	8/2017	Henning	D14/344
D800,109	S	10/2017	Rouillac et al.	
D805,643	S *	12/2017	Wu	D24/167
D812,608	S *	3/2018	Jones	D14/344
D813,058	S *	3/2018	Kanikananta	D10/32
D816,080	S	4/2018	Chen et al.	
D817,784	S	5/2018	Swenson et al.	
D824,899	S	8/2018	Yang et al.	
D826,763	S *	8/2018	Chuang	D11/3
D833,412	S *	11/2018	Guan	D14/186
D833,625	S	11/2018	Guan et al.	
D836,748	S	12/2018	Wright et al.	
D838,716	S *	1/2019	Teng	D14/344
D843,997	S	3/2019	Yu	
D850,317	S *	6/2019	Hinds	D11/3
D854,432	S	7/2019	Akana et al.	
D858,515	S	9/2019	Akana et al.	
D861,677	S	10/2019	Wu	
D863,095	S	10/2019	Akana et al.	
D865,759	S	11/2019	Haranaka et al.	
D875,728	S	2/2020	Wu	
10,549,485	B2	2/2020	Fontanazzi et al.	
D878,365	S *	3/2020	Choplin	D14/344
2015/0272458	A1	10/2015	Magniez et al.	
2017/0065224	A1 *	3/2017	Rahko	A61B 5/02438

FOREIGN PATENT DOCUMENTS

CN	303549722	S	1/2016
CN	20603670	U	3/2017
CN	106551472	A	4/2017
CN	206350551	U	7/2017
CN	304348674	S	11/2017
CN	207912234	U	9/2018
CN	304868711	S	10/2018
CN	109288503	A	2/2019
DE	9109518	U1	10/1991
EM	005945755-0001		12/2018
EM	005945755-0004		12/2018
WO	DM202843		7/2019

OTHER PUBLICATIONS

Monster Fitness Multicolor Replacement Bands for Fitbit Flex sold on Amazon. Website accessed Mar. 1, 2019.  
GK Fitbit Alta Bands—replacement sport strap bands for Fitbit Alta for sale at Walmart (www.walmart.com). Website accessed Nov. 7, 2018.  
Suunto Core watchband on Instagram. Accessed Feb. 7, 2017.  
Suppa G-Shock Strap Adapters, online at least as early as Dec. 13, 2013. Accessed Feb. 7, 2017.  
Monserat de Lucca Measuring Tape Bracelet for sale at Shopbop (www.shopbop.com). Website accessed Nov. 11, 2018.  
Marc by Marc Jacobs Engraved Turlock Leather Bangle Bracelet for sale at Shopbop (www.shopbop.com). Website accessed Nov. 11, 2018.  
ACBEE Replacement watch band with buckle for Fitbit ALTA for sale at www.amazon.com, Website accessed Nov. 7, 2018.  
PERFIT rubber watch band with double prong buckle and spring bars for sale at www.amazon.com. Website accessed Nov. 7, 2018.  
Waterproof diving silicone rubber strap with clasp for sale at www.aliexpress.com (Alibaba Group). Website accessed Feb. 7, 2018.  
Damusy Fitness Tracker Smart Band for sale at www.activityandfitness trackers.com. Website accessed Nov. 10, 2018.  
VOLEMER F09HR Smart Band Fitness Tracker for sale at www.epaky.com. Website accessed Nov. 10, 2018.  
“First Look: Fitbit announces new Fitbit Alta activity tracker”, published Feb. 3, 2016 on DC Rainmaker (www.dcrainmaker.com). Website accessed Nov. 10, 2018.  
Fitbit Alta—for sale by Fitbit (https://www.fitbit.com/alta). Website accessed Mar. 27, 2017.  
Fitbit Alta review published Mar. 25, 2016 on CNet (www.cnet.com). Website accessed Nov. 10, 2018.  
Fitbit Charge 2 Heart Rate and Fitness Wristband for sale at www.amazon.co.uk. Website accessed Feb. 7, 2018.  
Fitbit Flex Wireless Activity and Sleep Wristband for sale at www.amazon.com. Listed at least as early as Apr. 16, 2013.  
Fitbit Ionic Accessory Band for sale at Nordstrom (https://shop.nordstrom.com). Website accessed Nov. 7, 2018.  
Fitbit Alta HR Bands for sale at the Fitness Equipment Shop (www.thefitness equipments shop.com). Website accessed Nov. 17, 2018.  
LUMINOX Replacement Rubber Watch Band Strap for sale at Walmart (www.walmart.com). Website accessed Nov. 7, 2018.  
“MPOW DS-D6 Fitness Band Review” published Jan. 13, 2018 on ZeroAir (www.zeroair.wordpress.com). Website accessed Nov. 10, 2018.  
“Fitbit Product Teardown” on Pinterest, pinned from www.ifixit.com. Website accessed Feb. 27, 2017.  
Pro Elite Medicine Ball by Power Systems (www.power-systems.com). Website accessed Feb. 7, 2018.  
Replacement metal watch band Connector for Fitbit Alta/Fitbit Alta HR for sale at Banggood (www.banggood.com). Website accessed Feb. 10, 2018.  
Citrine by the Stones Sol Forearm Band for sale at Shopbop (www.shopbop.com). Website accessed Nov. 11, 2018.  
Gorjana Mia Wrap Cuff for sale at Shopbop (www.shopbop.com). Website accessed Nov. 11, 2018.  
Fintie for Gear S2 Watch Band Stainless Steel Metal Replacement Strap, for sale at www.amazon.com. Website accessed Apr. 24, 2019.  
Fitbit Inspire HR review: One size, many styles, fit all, posted May 24, 2019, [retrieved Jun. 5, 2019]. Retrieved from Internet, <URL:https://www.macworld.com/article/3397320/fitbit-inspire-hr-review.html>.  
The New Fitbit Inspire HR Is Finally Available to the Public!, posted Mar. 6, 2019, [retrieved Jun. 5, 2019]. Retrieved from Internet, <URL: https://anyeverafter.com/new-fitbit-inspire-hr-smartwatch/>.  
Samsung’s 6th smartwatch has a 3G modem and a massive curved display, posted Aug. 28, 2014, [retrieved Jun. 5, 2019]. Retrieved

(56)

**References Cited**

## OTHER PUBLICATIONS

from Internet, <URL: <https://arstechnica.com/gadgets/2014/08/samsungs-6th-smartwatch-has-a-3g-modern-and-a-massive-curved-display/>>.

Microsoft Band 2 Fitness Tracker with Curved Screen Announced, posted Oct. 7, 2015, [retrieved Jun. 5, 2019]. Retrieved from Internet, <URL: <https://gadgetsin.com/microsoft-band-2-fitness-tracker-with-curved-screen-announced.html>>.

Samsung Introduces Three New Wearables for Balanced and Connected Living, Samsung Newsroom, posted Feb. 20, 2019, accessed Feb. 25, 2019. <URL: <https://news.samsung.com/us/samsung-wearable-galaxy-watch-active-galaxy-fit-galaxy-buds-unpacked-2019/>>.

Wang et al., “Integrity Protection for Code-On-Demand Mobile Agents,” *Journal of Systems and Software*, vol. 60, Issue 3, pp. 211-221, downloaded from: <https://www.researchgate.net/researcher/9579357TianhanWang>, Feb. 15, 2002.

Seifert, “Making Time: how Pebble built its next smartwatch,” downloaded from: <http://www.theverge.com/2015/2/24/8091175/pebble-time-watchwearable-platform-eric-migicovsky-interview>, The Verge, Feb. 24, 2015.

Fitbit Charge 3 leak hints at massive changes, posted Aug. 14, 2018, [retrieved Jan. 29, 2019]. Retrieved from Internet, <URL: <https://www.slashgear.com/fitbit-charge-3-leak-hints-at-massive-changes-14541228/>>.

New Fitbit is a waterproof smartwatch in disguise, posted Aug. 28, 2018, [retrieved Jan. 29, 2019]. Retrieved from Internet, <URL: [https://www.fox5vegas.com/archives/new-fitbit-is-a-waterproof-smartwatch-in-disguise/article\\_277bf36f-2e79-5b48-b490-1abce7603fae.html](https://www.fox5vegas.com/archives/new-fitbit-is-a-waterproof-smartwatch-in-disguise/article_277bf36f-2e79-5b48-b490-1abce7603fae.html)>.

Silicone Rubber Waterproof Watch Strap Band FORTE Spring Bars, for sale at eBay (<https://www.ebay.com.au/itm/Silicone-Rubber-Waterproof-Watch-Strap-Band-FORTE-Spring-Bars-20mm-22mm-24mm-/272077865335>). Website accessed Dec. 6, 2019.

Kartice Compatible with Fitbit Inspire Bands/Fitbit Inspire HR Bands, for sale at [www.amazon.com](http://www.amazon.com). Website accessed Jun. 10, 2019.

Tuscom Replacement Bands Compatible with Fitbit Inspire and Fitbit Inspire HR, for sale at [www.amazon.com](http://www.amazon.com). Website accessed Jun. 10, 2019.

ACBEE Fitbit alta Band, Watch Buckle Design, for sale on amazon.com ([https://www.amazon.com/ACBEE-Perfect-Replacement-Original-Band-Never/dp/B01G2IECXO/ref=as\\_li\\_ss\\_tlief=UTF8&linkCode=sll1&tag=mbyte-20&linkId=d7045d83d76ae70cec2212,2019.55ad2f282088&linkCode=w61&imprToken=n-LMJ6kaAeLbRPMusOUq7A&slotNum=14](https://www.amazon.com/ACBEE-Perfect-Replacement-Original-Band-Never/dp/B01G2IECXO/ref=as_li_ss_tlief=UTF8&linkCode=sll1&tag=mbyte-20&linkId=d7045d83d76ae70cec2212,2019.55ad2f282088&linkCode=w61&imprToken=n-LMJ6kaAeLbRPMusOUq7A&slotNum=14)). Website accessed Jun. 12, 2019.

Gold premium NATO strap Le Mans, for sale at [cheapestnatostraps.com](http://cheapestnatostraps.com) (<https://www.cheapestnatostraps.com/products/gold-premium-nato-strap-le-mans>). Website accessed Dec. 6, 2019.

Alfawise H19 RFID Sports Smartwatch Fitness Tracker for sale at gearbest.com ([https://www.gearbest.com/smart-watches/pp\\_009207049039.html?wid=1433363](https://www.gearbest.com/smart-watches/pp_009207049039.html?wid=1433363)). Website accessed Dec. 6, 2019.

Fitbit Versa Smartwatch and Activity Tracker with Classic Band for sale at HSN (<https://www.hsn.com/products/fitbit-versa-smartwatch-and-activity-tracker-with-class/8688605>). Website accessed Dec. 6, 2019.

Fitbit Versa Smartwatch for sale at kohls.com (<https://www.kohls.com/product/prd-3296179/fitbit-versa-smart-fitness-watch-non-nfc.jsp>). Website accessed Dec. 6, 2019.

Princeton University 18mm NATO Watch Strap with Silver Fittings for sale at Smart Turnout (<https://smartturnout.com/university-watchstrap-princeton-university/>). Website accessed Dec. 6, 2019.

Fitbit Ace 2 activity tracker for kids 6+, for sale at fitbit.com (<https://www.fitbit.com/us/products/trackers/ace2?sku=414BKBU>). Website accessed Jan. 2020.

U.S. Appl. No. 29/706,974, filed Sep. 25 2019, applicant Fitbit, Inc.

U.S. Appl. No. 29/712,115, filed Nov. 5, 2019, applicant Fitbit, Inc.

U.S. Appl. No. 29/710,723, filed Oct. 25, 2019, applicant Fitbit, Inc.

U.S. Appl. No. 29/635,224, filed Jan. 29, 2018, applicant Fitbit, Inc.

U.S. Appl. No. 29/721,845, filed Jan. 23, 2018, applicant Fitbit, Inc.

U.S. Appl. No. 29/721,870, filed Jan. 23, 2020, applicant Fitbit, Inc.

U.S. Appl. No. 29/722,312, filed Jan. 28, 2020, applicant Fitbit, Inc.

U.S. Appl. No. 29/722,314, filed Jan. 28, 2020, applicant Fitbit, Inc.

U.S. Appl. No. 29/725,314, filed Feb. 24, 2020, applicant Fitbit, Inc.

U.S. Appl. No. 29/645,397, filed Apr. 25, 2018, applicant Fitbit, Inc.

U.S. Appl. No. 29/708,648, filed Oct. 8, 2019, applicant Fitbit, Inc.

U.S. Appl. No. 29/707,456, filed Sep. 27, 2019, applicant Fitbit, Inc.

U.S. Appl. No. 29/656,638, filed Jul. 13, 2018, applicant Fitbit, Inc.

U.S. Appl. No. 29/671,144, filed Nov. 24, 2018, applicant Fitbit, Inc.

U.S. Appl. No. 29/669,190, filed Nov. 6, 2018, applicant Fitbit, Inc.

U.S. Appl. No. 29/702,572, filed Aug. 20, 2019, applicant Fitbit, Inc.

U.S. Appl. No. 29/702,946, filed Aug. 22, 2019, applicant Fitbit, Inc.

U.S. Appl. No. 29/702,703, filed Aug. 21, 2019, applicant Fitbit, Inc.

U.S. Appl. No. 29/688,946, filed Apr. 25, 2019, applicant Fitbit, Inc.

U.S. Appl. No. 29/702,397, filed Aug. 19, 2019, applicant Fitbit, Inc.

U.S. Appl. No. 29/705,182, filed Sep. 10, 2019, applicant Fitbit, Inc.

U.S. Appl. No. 29/711,032, filed Oct. 28, 2019, applicant Fitbit, Inc.

U.S. Appl. No. 29/725,309, filed Feb. 24, 2020, applicant Fitbit, Inc.

U.S. Appl. No. 29/725,313, filed Feb. 24, 2020, applicant Fitbit, Inc.

Samsung Galaxy Fit, Black, available from Samsung (<https://www.samsung.com/us/mobile/wearables/smart-fitness-bands/samsung-galaxy-fit-sm-r370nzkaxar/>). Website accessed Mar. 16, 2020.

“Colorful TPE Strap Replacement Sport Wrist Watch Band for

Xiaomi Miband 3 Miband 4—No. 2” available from Banggood

([https://www.banggood.in/Colorful-TPE-Strap-Replacement-Sport-Wrist-Watch-Band-for-Xiaomi-Miband-3-Miband-4-p-1307559.html?ID=529070&cur\\_warehouse=CN](https://www.banggood.in/Colorful-TPE-Strap-Replacement-Sport-Wrist-Watch-Band-for-Xiaomi-Miband-3-Miband-4-p-1307559.html?ID=529070&cur_warehouse=CN)). Website accessed Mar. 16, 2020.

\* cited by examiner

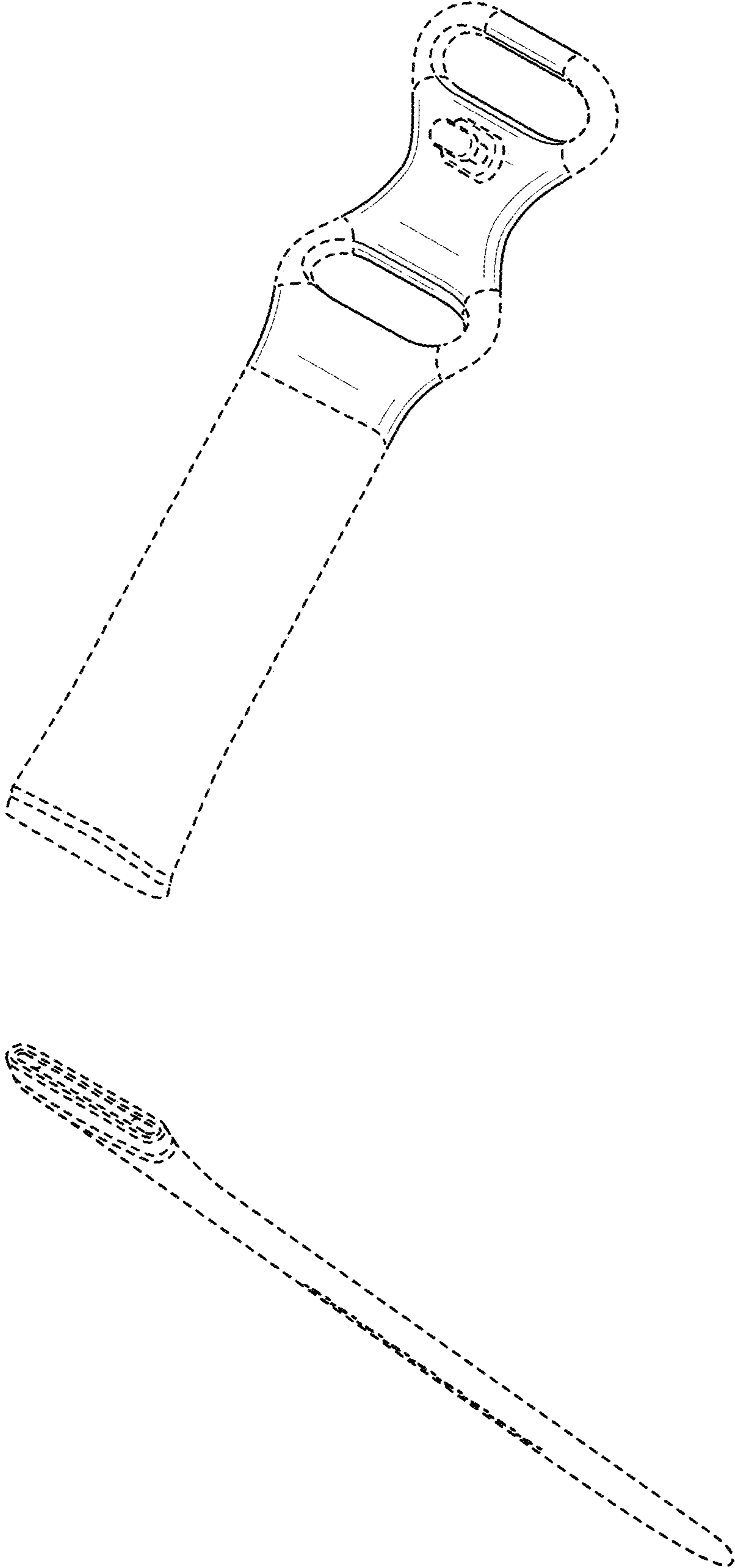


FIG. 1

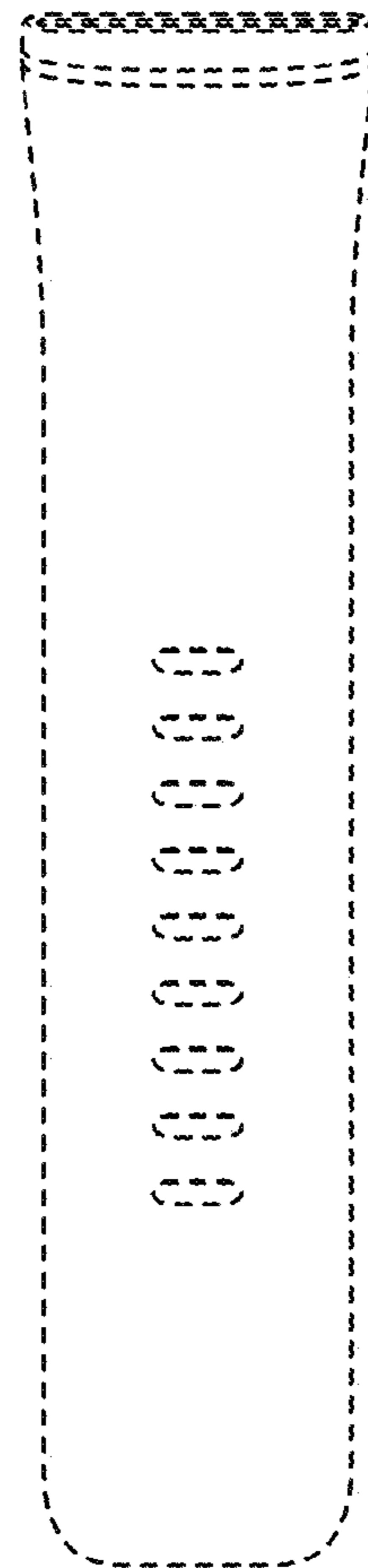
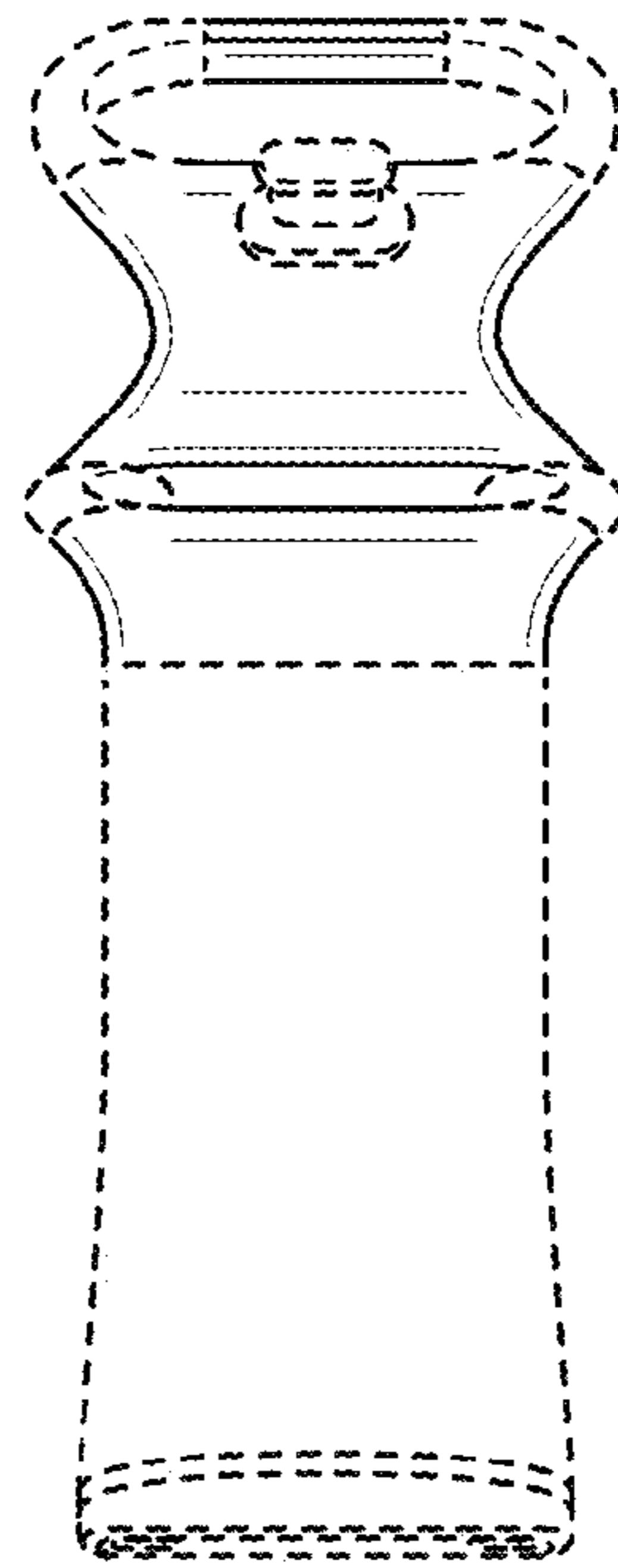


FIG. 2

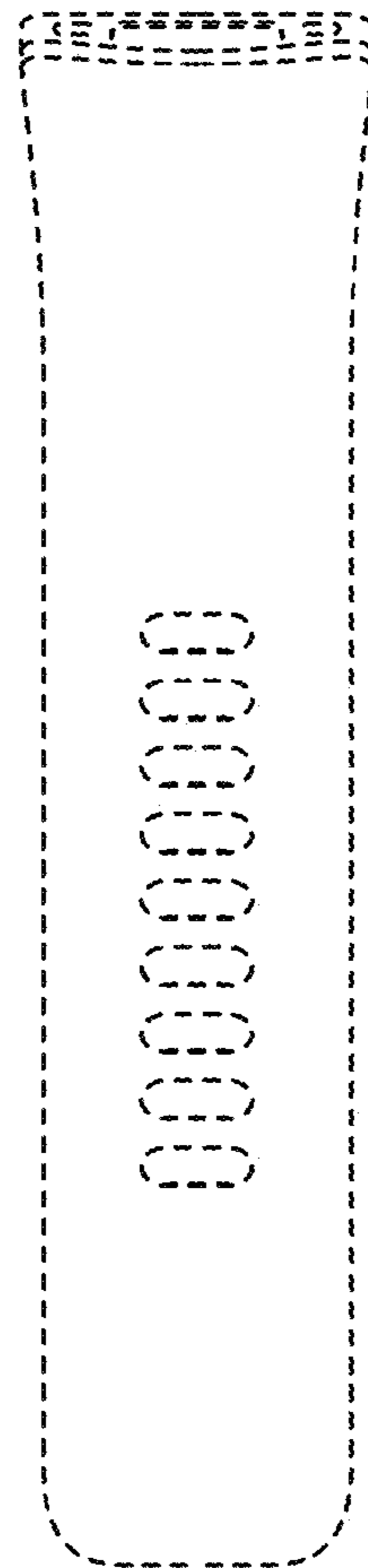
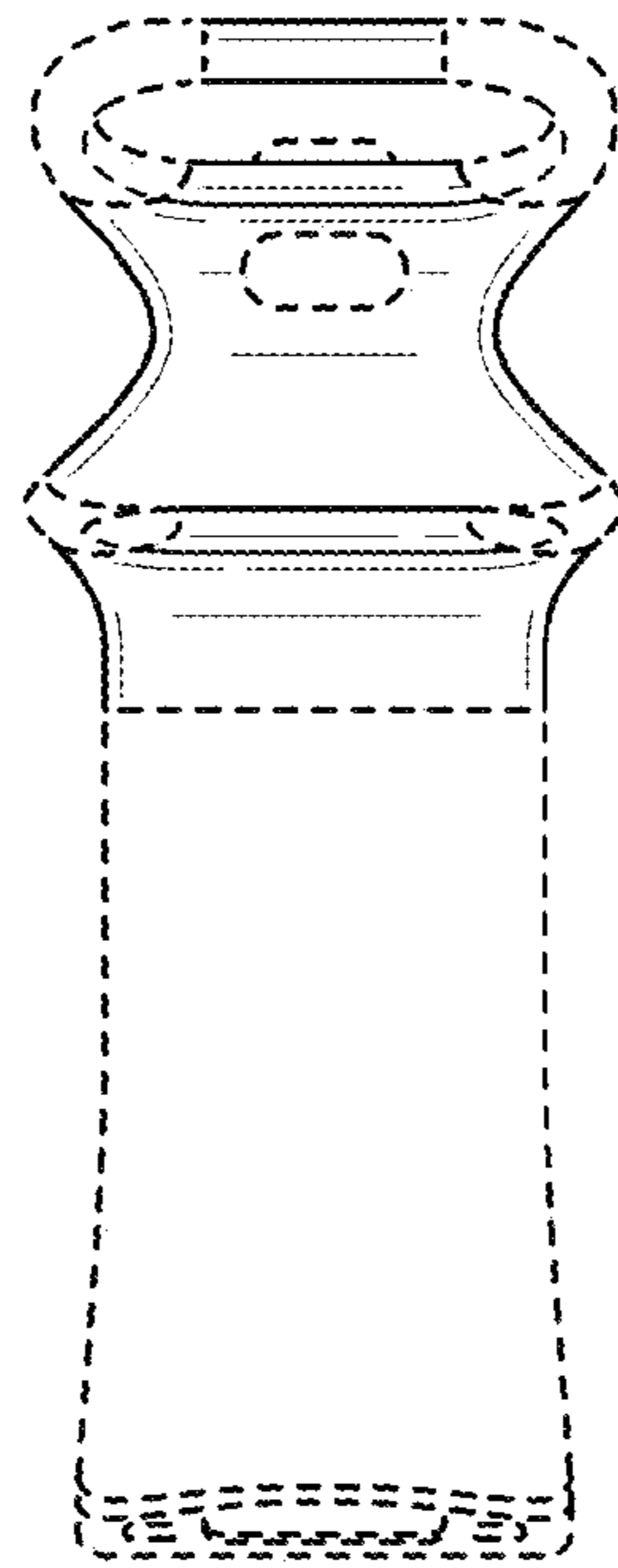


FIG. 3

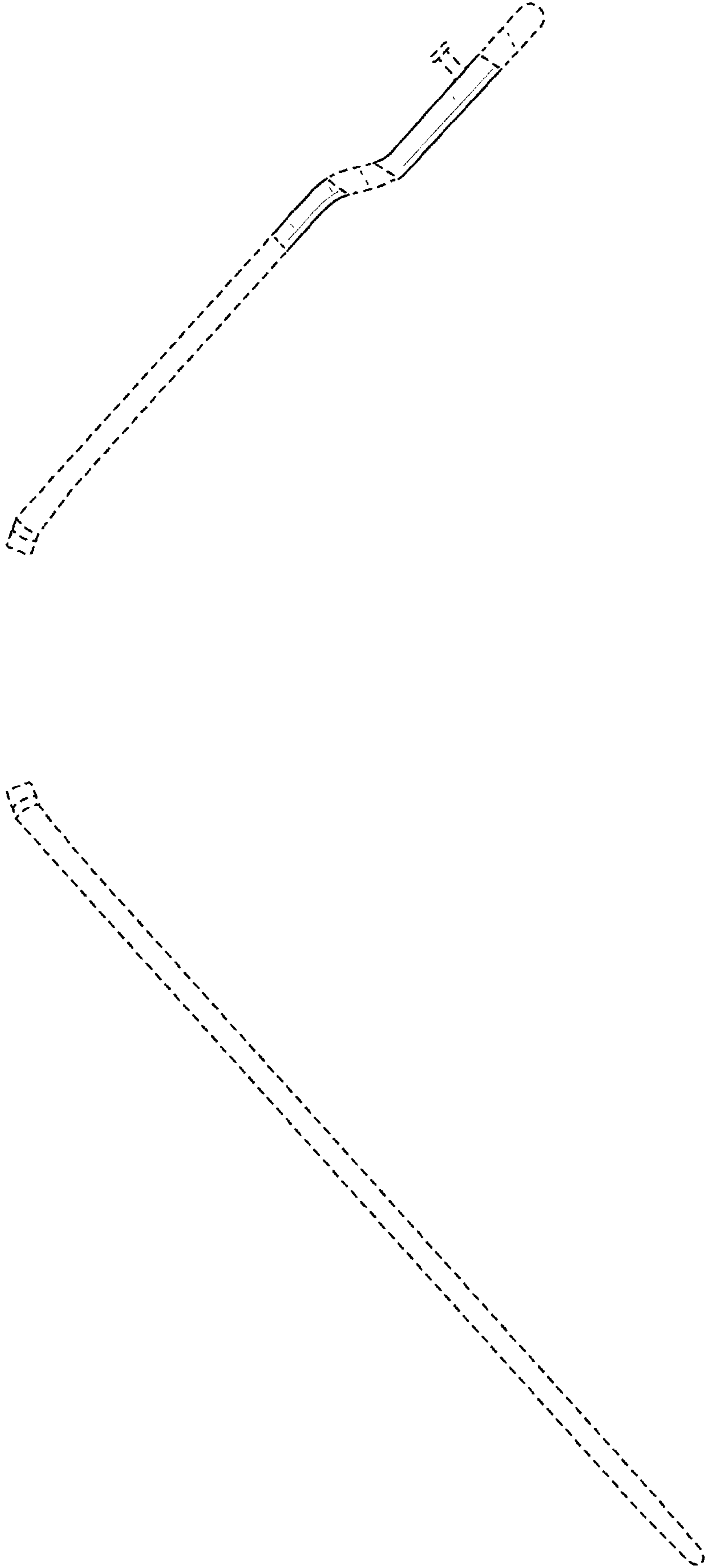


FIG. 4

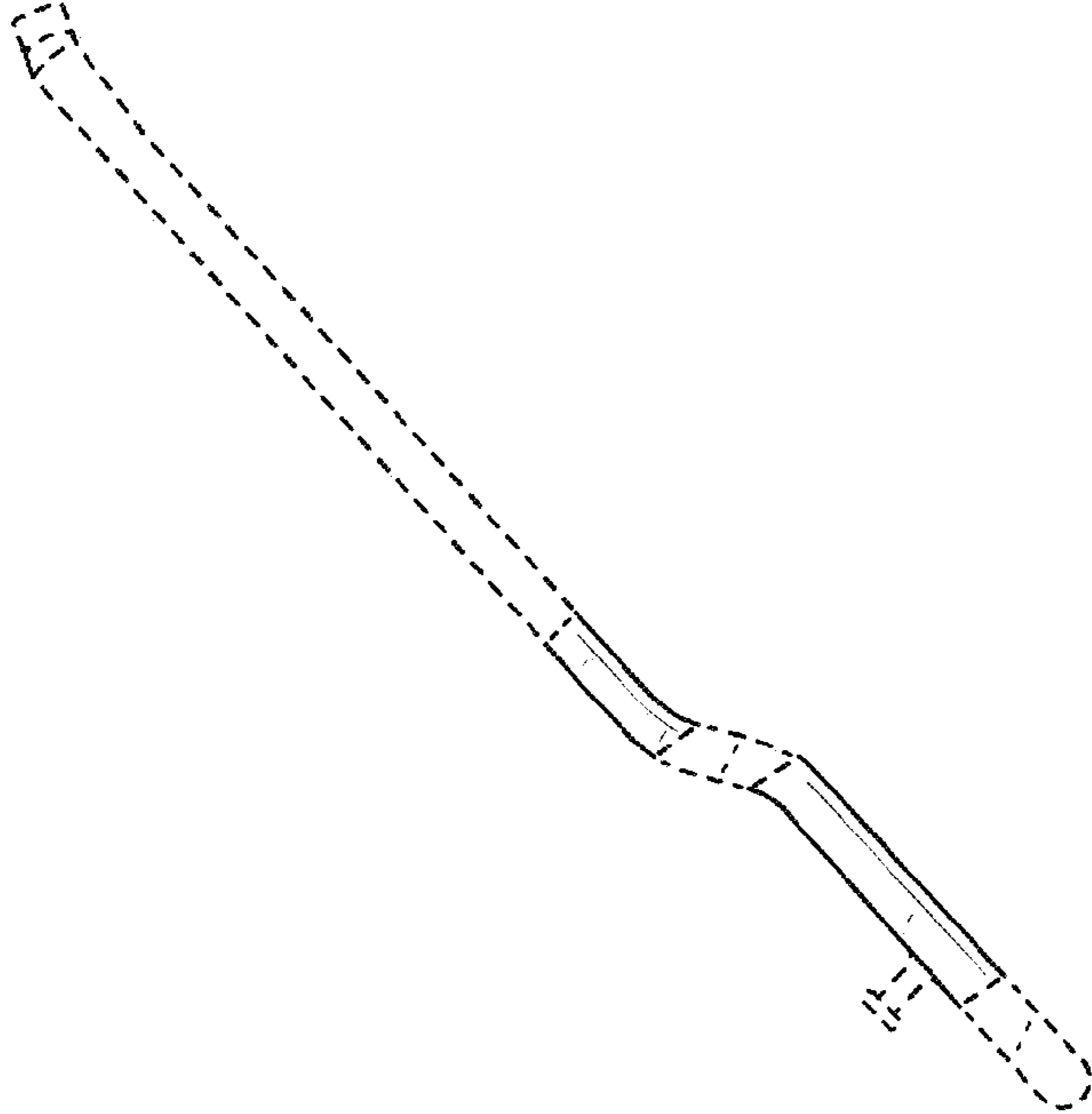
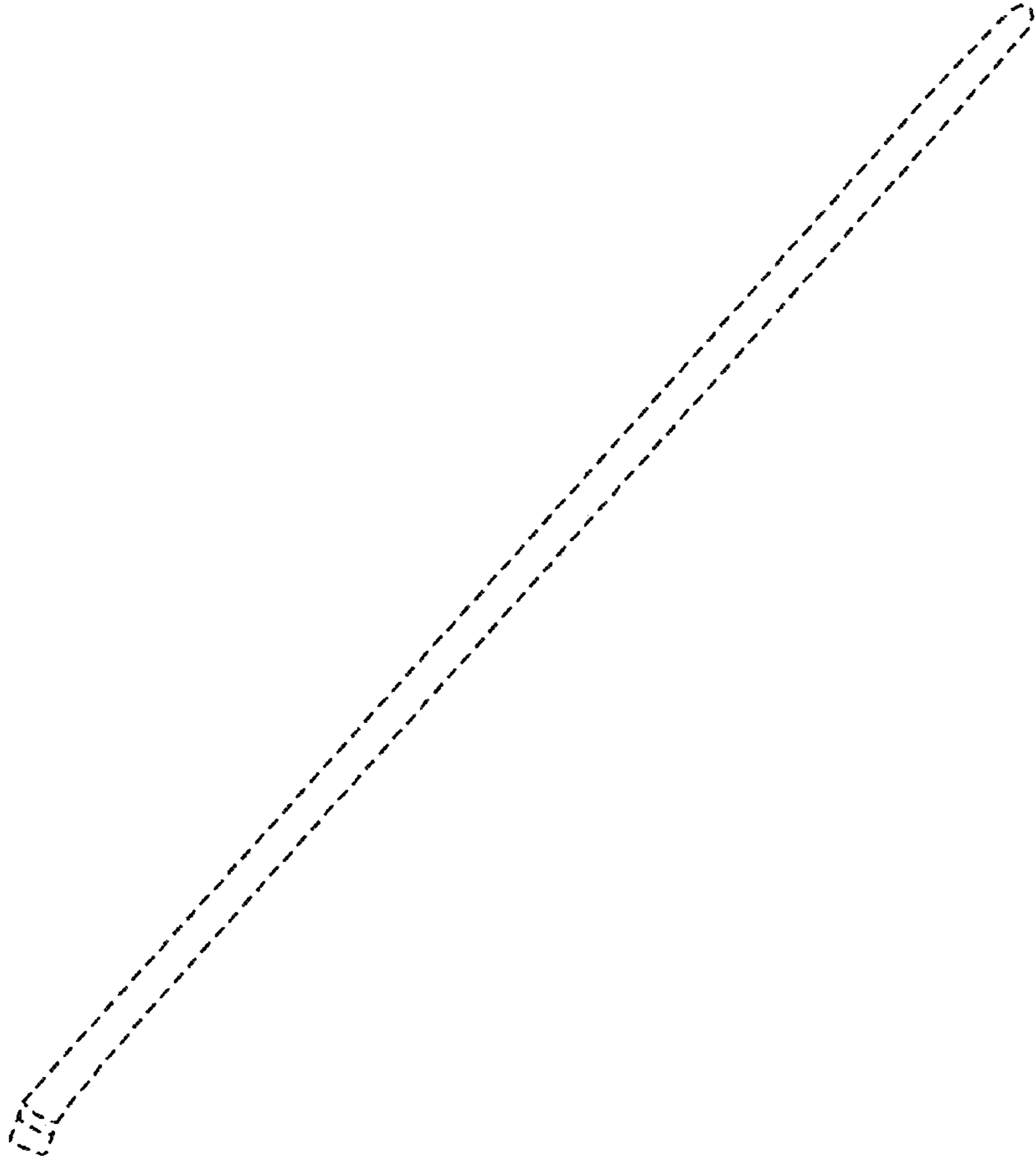


FIG. 5



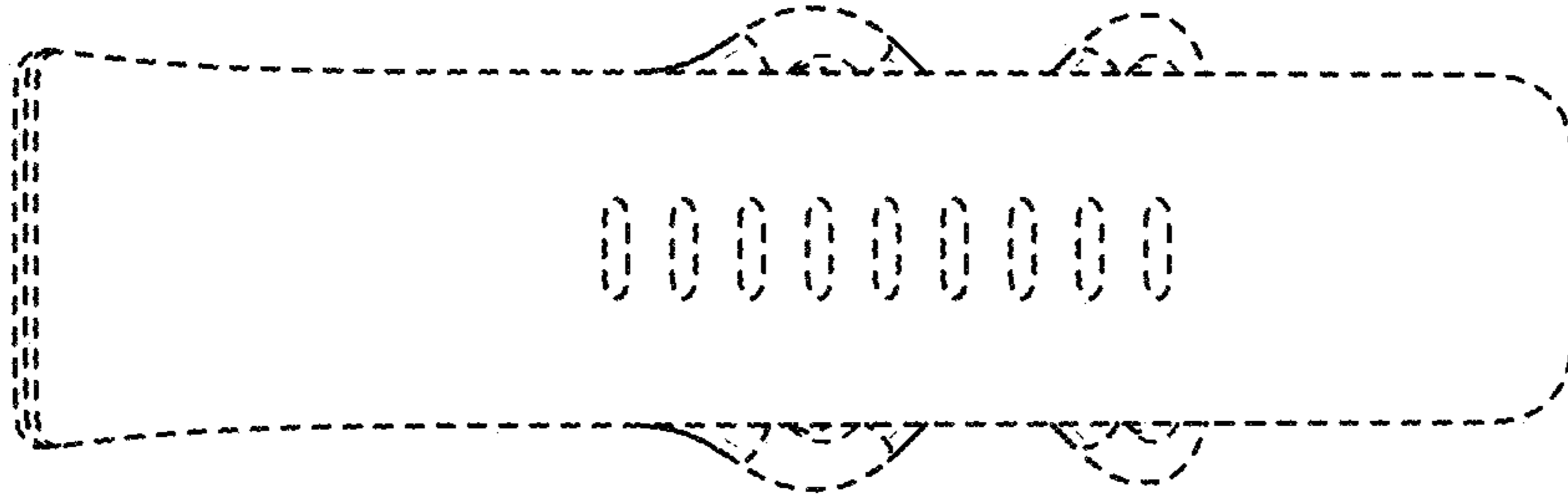


FIG. 7

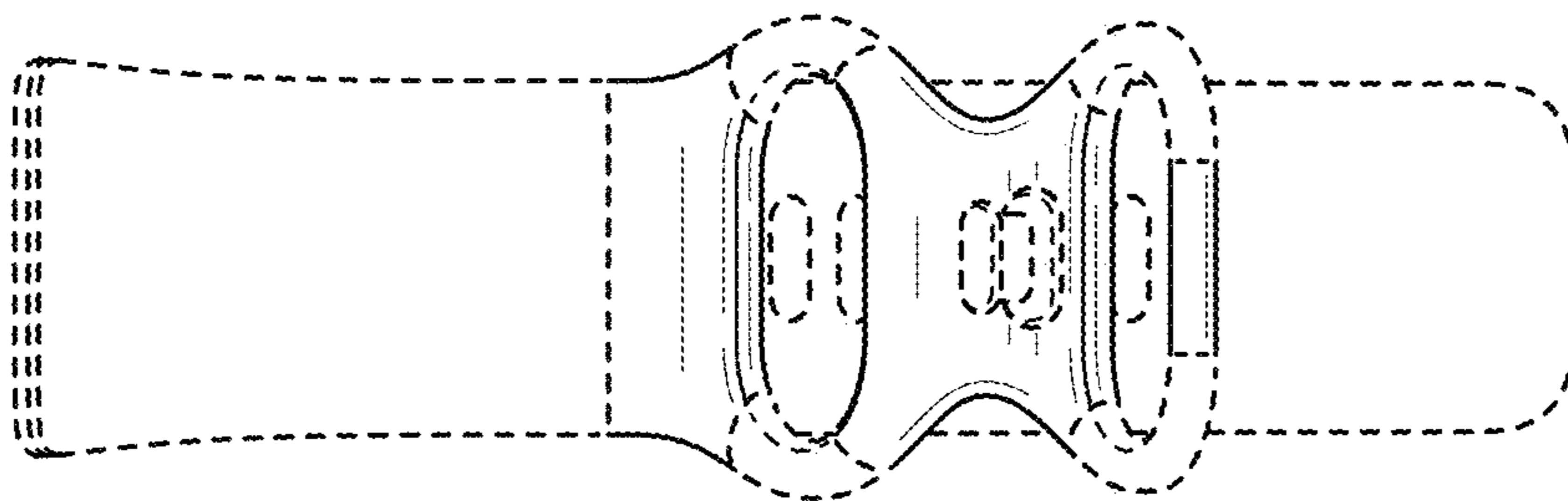


FIG. 6

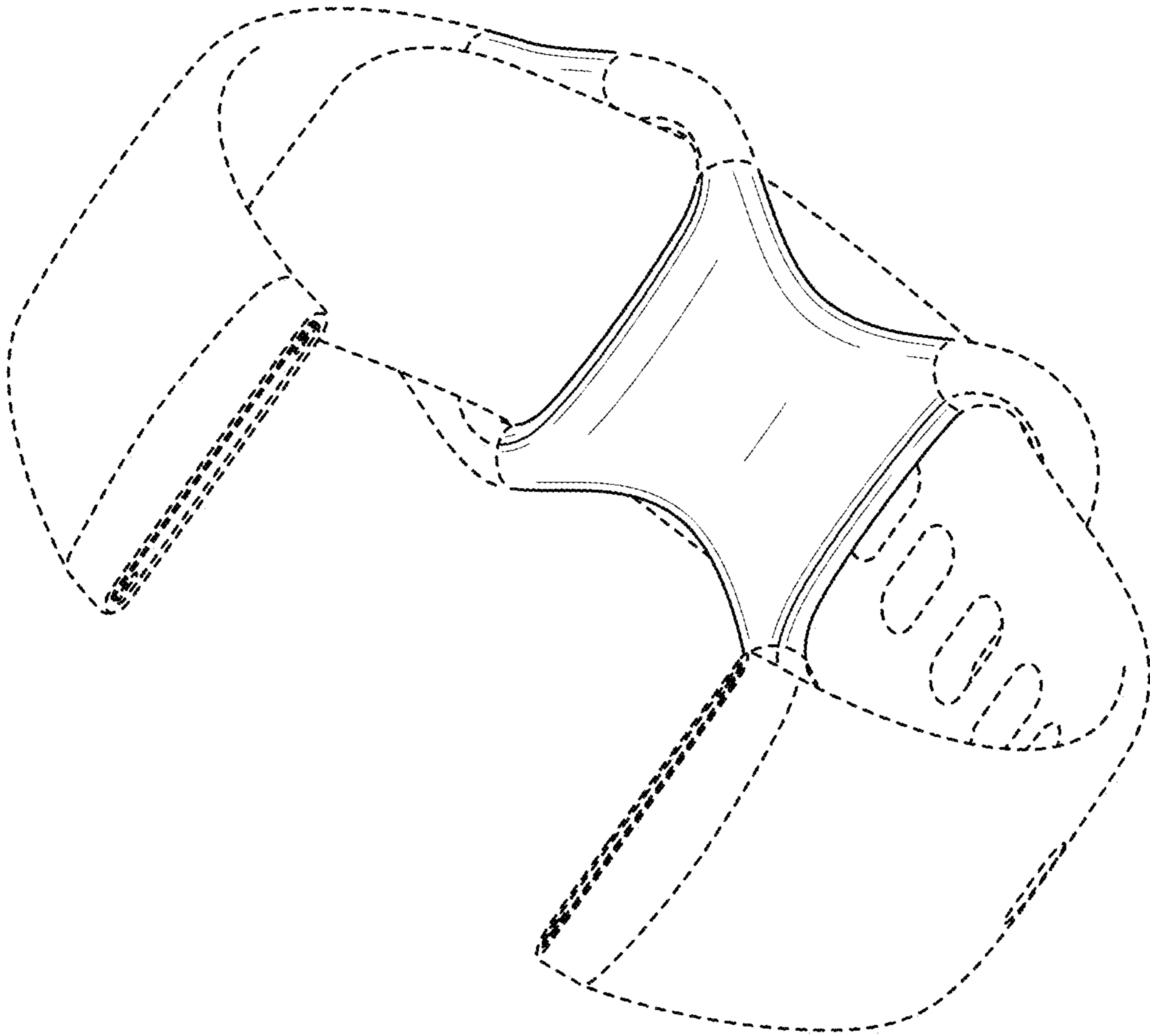


FIG. 8