



US00D901320S

(12) **United States Design Patent**
Pan

(10) **Patent No.:** **US D901,320 S**

(45) **Date of Patent:** **** Nov. 10, 2020**

(54) **WARNING LIGHT FOR VEHICLE**

7,568,821 B2 * 8/2009 Peck F21V 7/04
362/341

(71) Applicant: **Juluen Enterprise Co., Ltd.**, New Taipei (TW)

D629,709 S * 12/2010 Bulman-Fleming D10/114.8

D848,651 S * 5/2019 Ko D26/36

D876,692 S * 2/2020 Yahr D26/36

D887,065 S * 6/2020 Speier D26/74

(72) Inventor: **Pei-Chun Pan**, New Taipei (TW)

(73) Assignee: **Juluen Enterprise Co., Ltd.**, New Taipei (TW)

* cited by examiner

(**) Term: **15 Years**

Primary Examiner — George D. Kirschbaum

(74) *Attorney, Agent, or Firm* — Winston Hsu

(21) Appl. No.: **29/674,385**

(57) **CLAIM**

The ornamental design for a warning light for vehicle, as shown and described.

(22) Filed: **Dec. 20, 2018**

(51) **LOC (12) Cl.** **10-05**

(52) **U.S. Cl.**
USPC **D10/114.3**

(58) **Field of Classification Search**
USPC D10/114.3–114.5, 114.8; D26/36, 74
CPC F21V 7/04; F21S 8/00
See application file for complete search history.

DESCRIPTION

FIG. 1 is a front, top and right side perspective view of a warning light for vehicle showing my new design; FIG. 2 is a front elevation view thereof; FIG. 3 is a left side elevation view thereof; FIG. 4 is a right side elevation view thereof; FIG. 5 is a top plan view thereof; and, FIG. 6 is a bottom plan view thereof.

The rear elevation view of the warning light for vehicle is unornamented.

The broken lines depict portions of the warning light for vehicle that from no part of the claimed design.

(56) **References Cited**

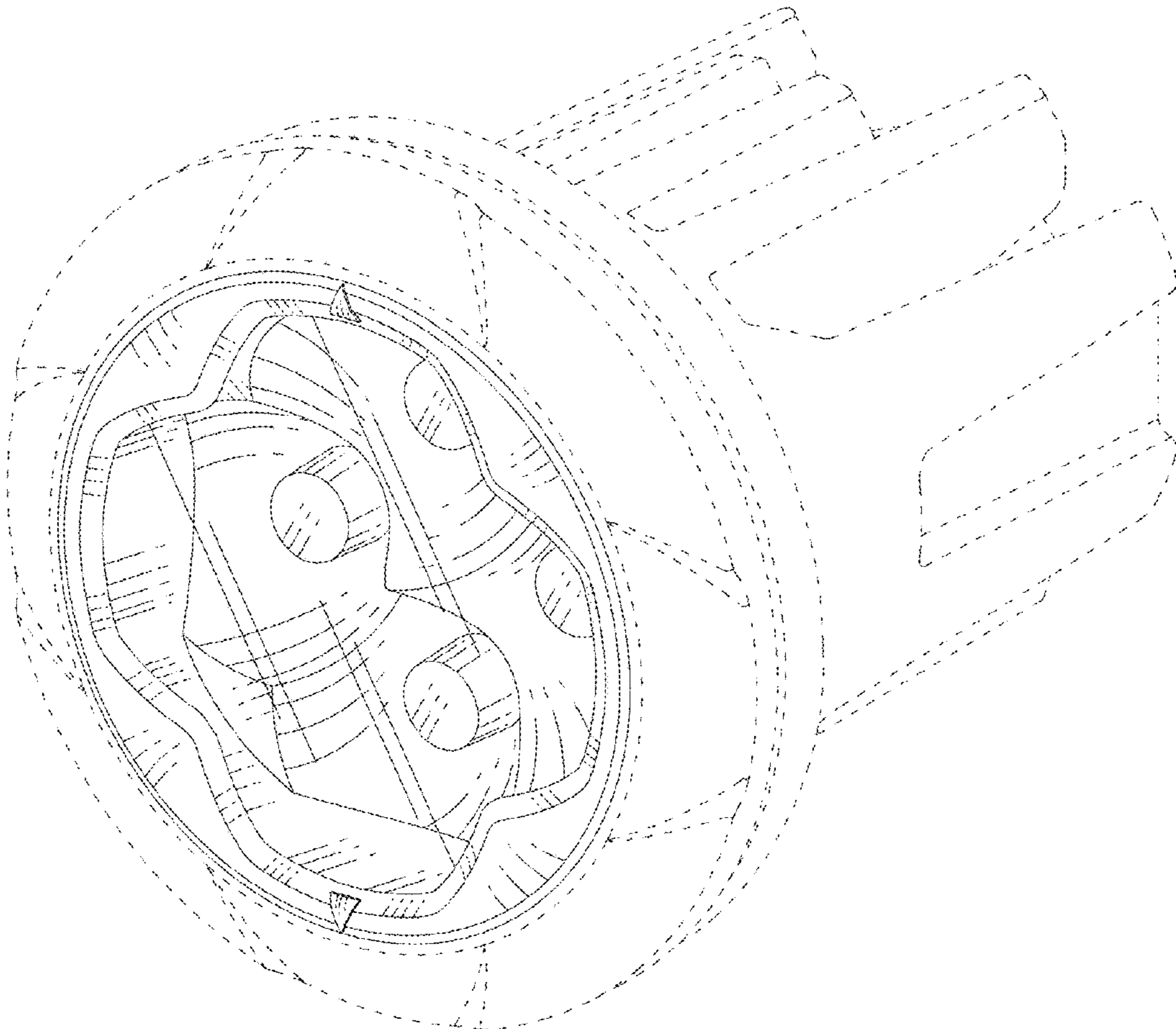
U.S. PATENT DOCUMENTS

D401,368 S * 11/1998 Baader D26/36

6,949,894 B1 * 9/2005 Sullivan F21S 8/00

315/312

1 Claim, 6 Drawing Sheets



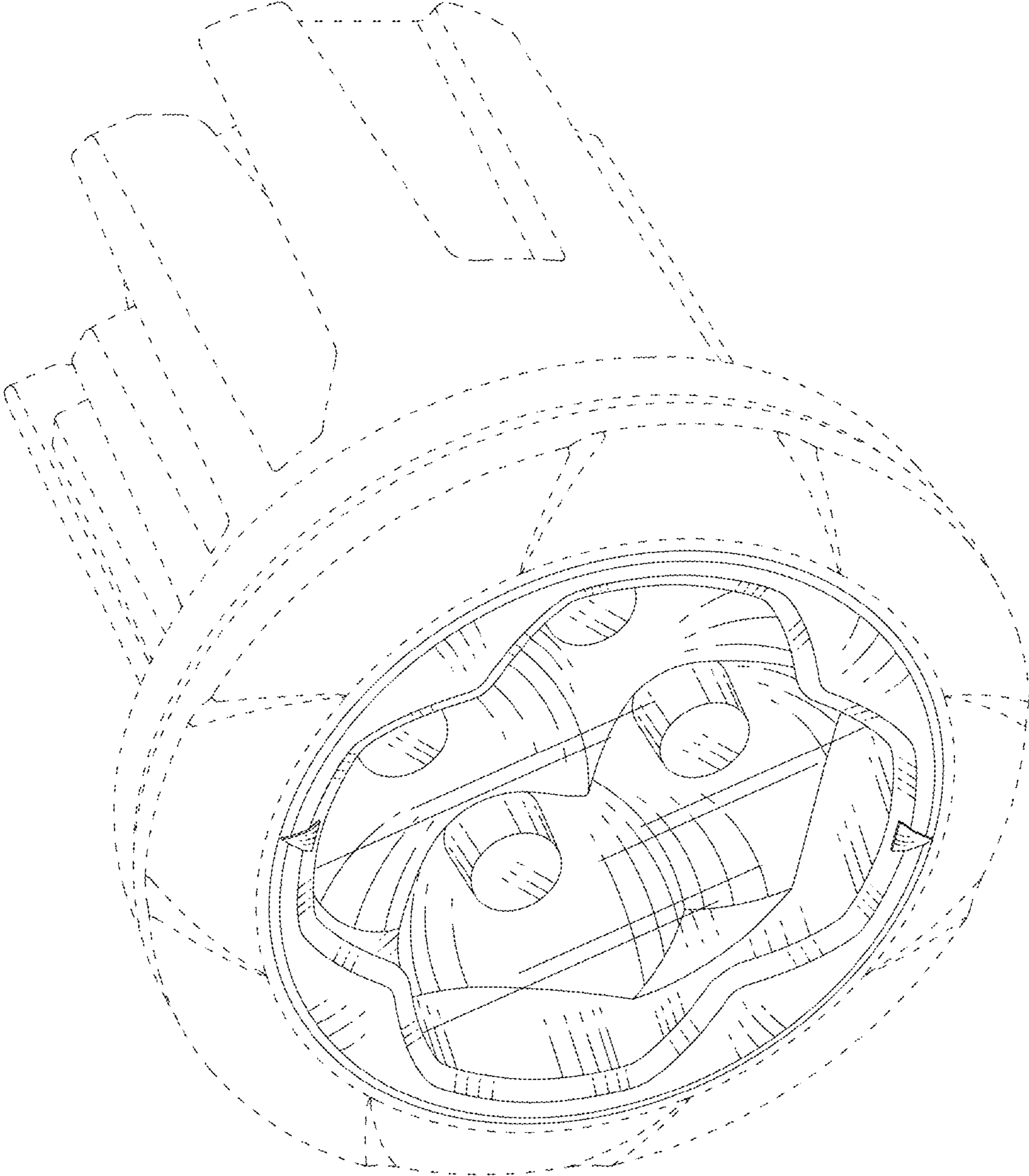


FIG. 1

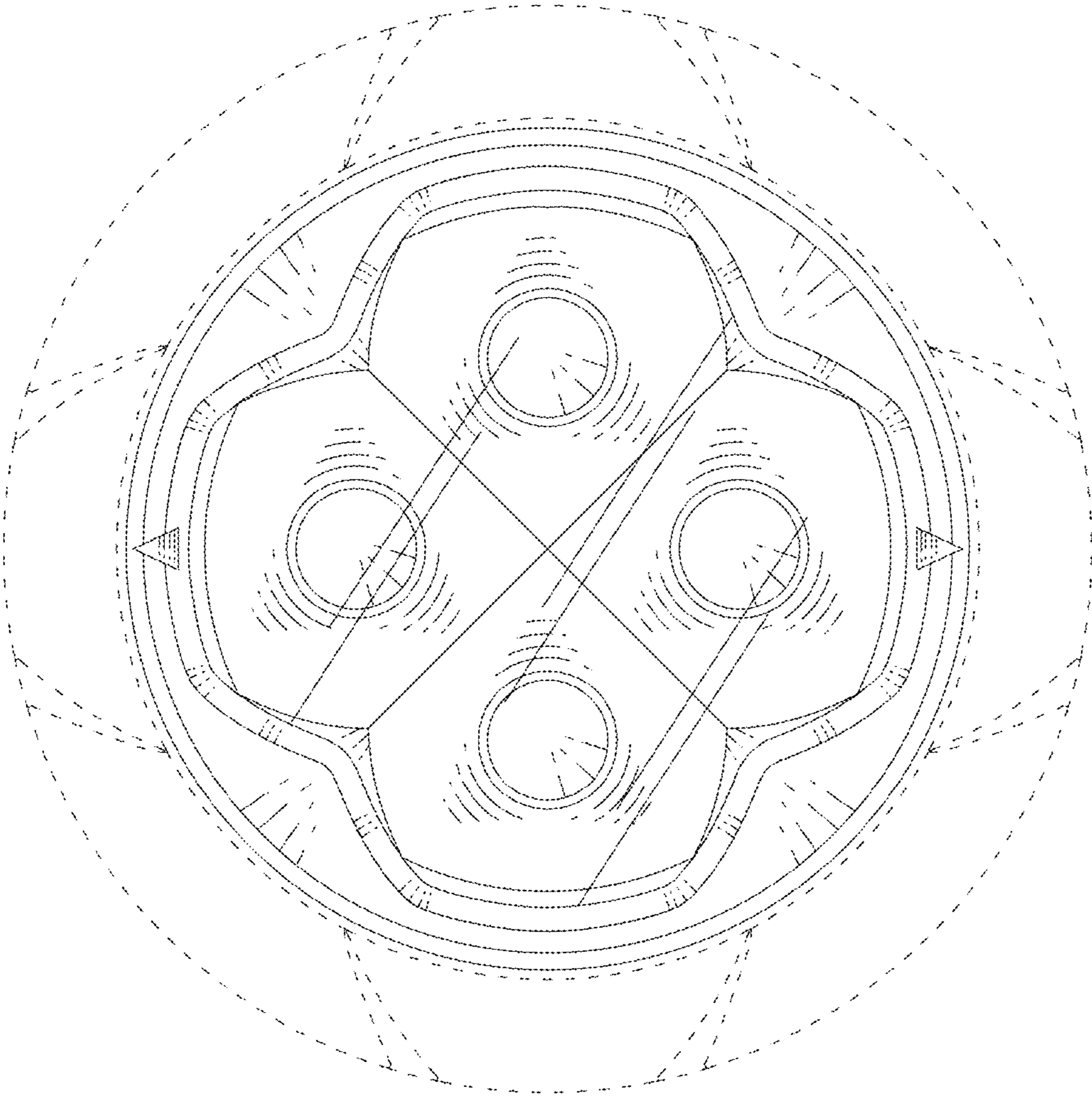


FIG. 2

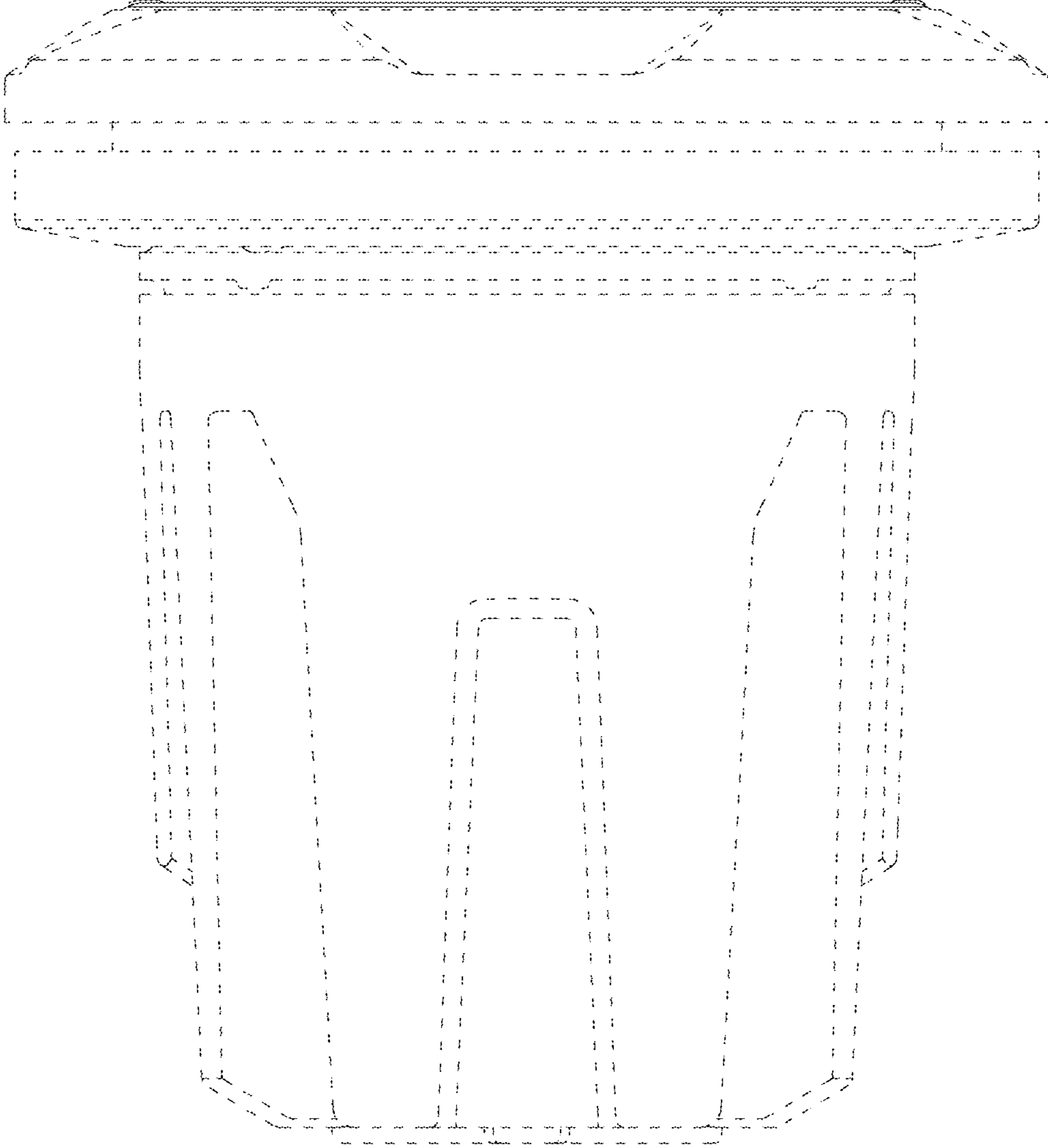


FIG. 3

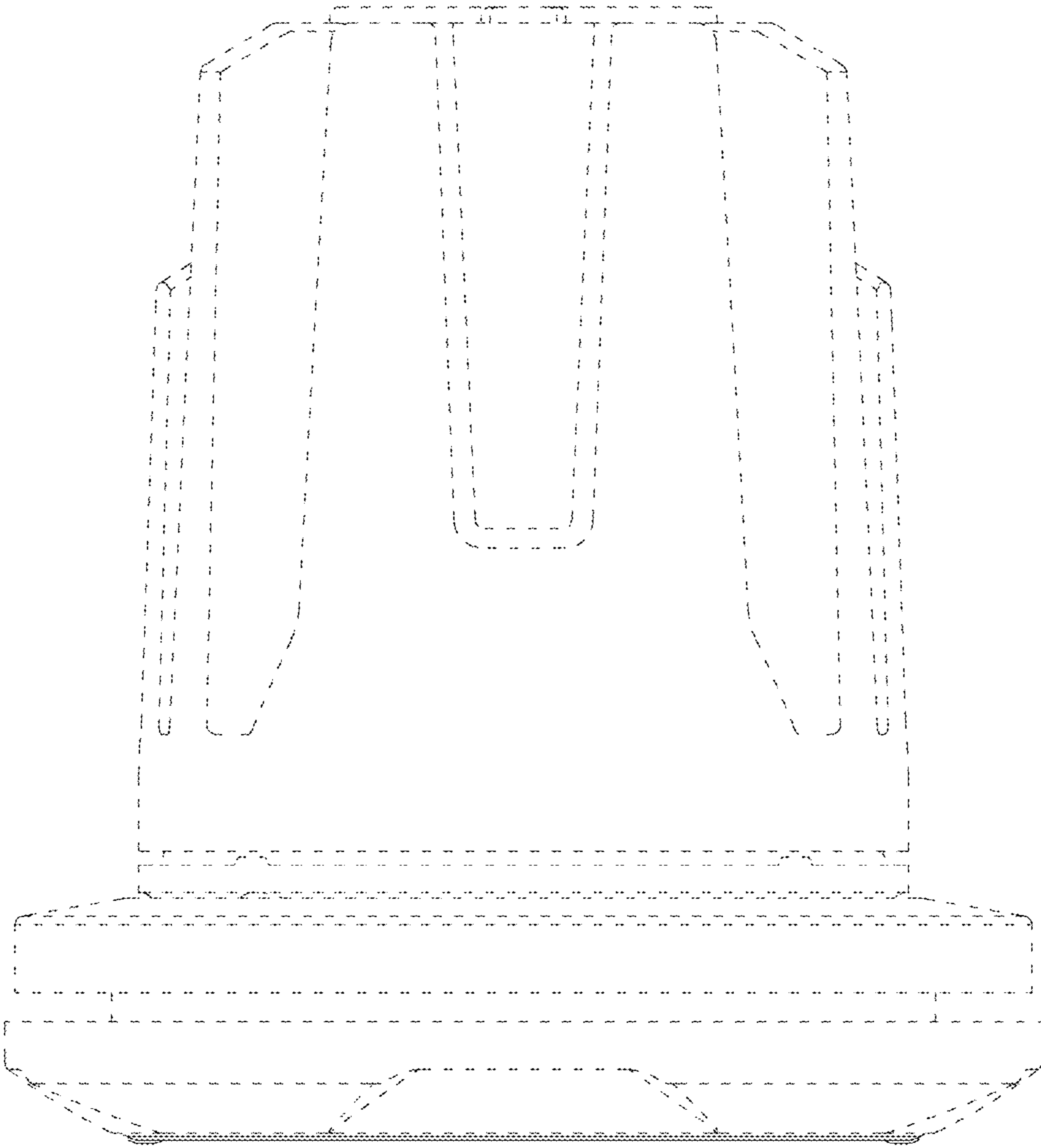


FIG. 4

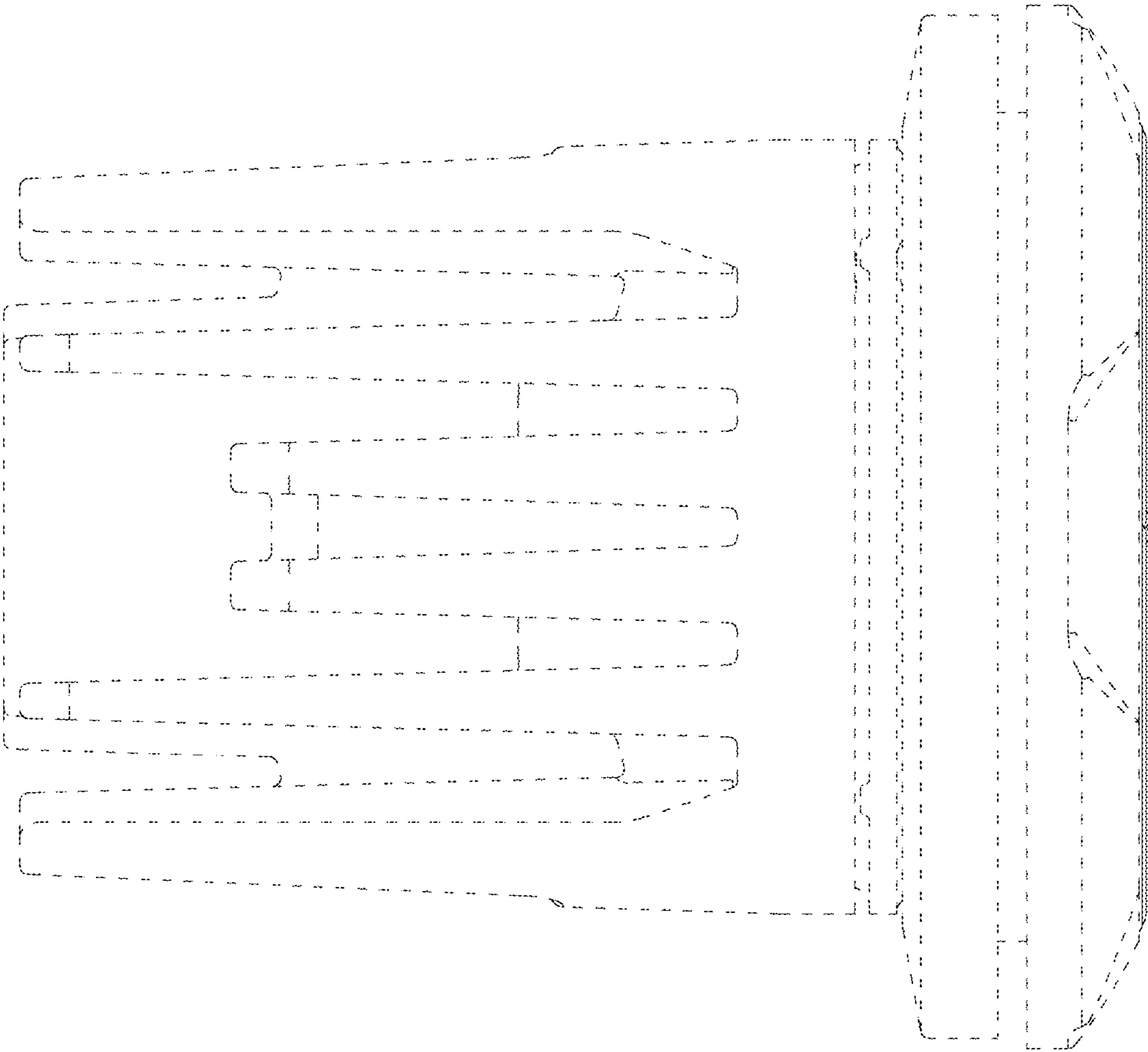


FIG. 5

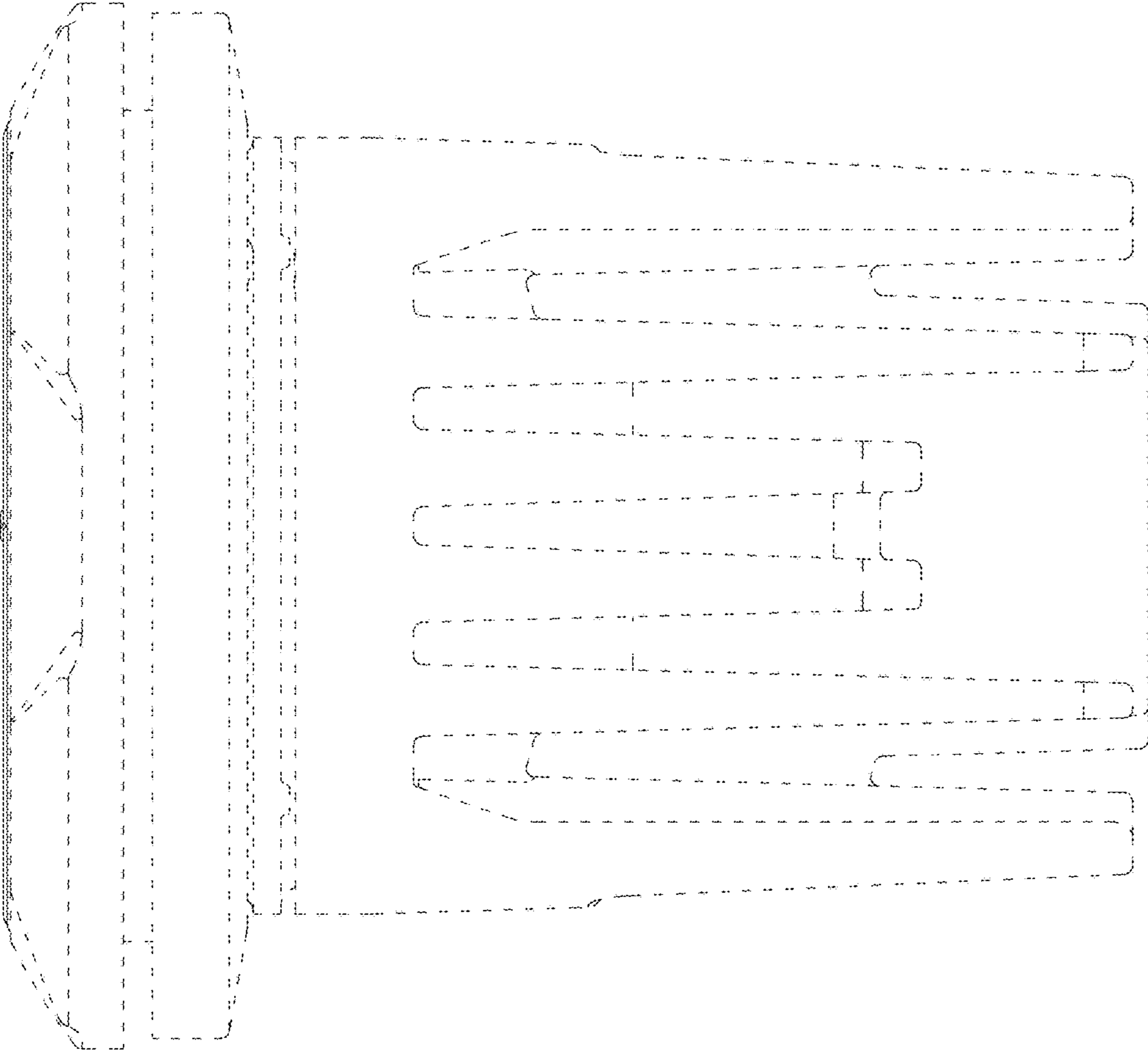


FIG. 6