



US00D901317S

(12) **United States Design Patent**  
**Nothacker et al.**

(10) **Patent No.:** **US D901,317 S**

(45) **Date of Patent:** **\*\* Nov. 10, 2020**

(54) **BIOMONITORING WRISTBAND**

**DESCRIPTION**

- (71) Applicant: **KHN Solutions, Inc.**, San Francisco, CA (US)
- (72) Inventors: **Keith Harry Nothacker**, San Francisco, CA (US); **William Tammen**, San Francisco, CA (US); **Imraan Aziz**, San Francisco, CA (US); **Raymond Kampmeier**, San Francisco, CA (US)
- (73) Assignee: **KHN Solutions, Inc.**, San Francisco, CA (US)
- (\*\*) Term: **15 Years**
- (21) Appl. No.: **29/688,151**
- (22) Filed: **Apr. 18, 2019**
- (51) **LOC (12) Cl.** ..... **10-04**
- (52) **U.S. Cl.**  
USPC ..... **D10/70; D10/38**
- (58) **Field of Classification Search**  
USPC ..... D10/30-39, 70, 78, 97, 98; D11/3; D14/138 R, 203.5, 203.6, 203.7, 341, D14/344; D24/167, 186  
(Continued)

(56) **References Cited**

**U.S. PATENT DOCUMENTS**

|              |         |            |       |       |
|--------------|---------|------------|-------|-------|
| D706,159 S * | 6/2014  | Ma         | ..... | D11/3 |
| D715,675 S * | 10/2014 | Ma         | ..... | D11/3 |
| D735,068 S * | 7/2015  | Garcia Pla | ..... | D11/3 |

\* cited by examiner

*Primary Examiner* — Antoine Duval Davis

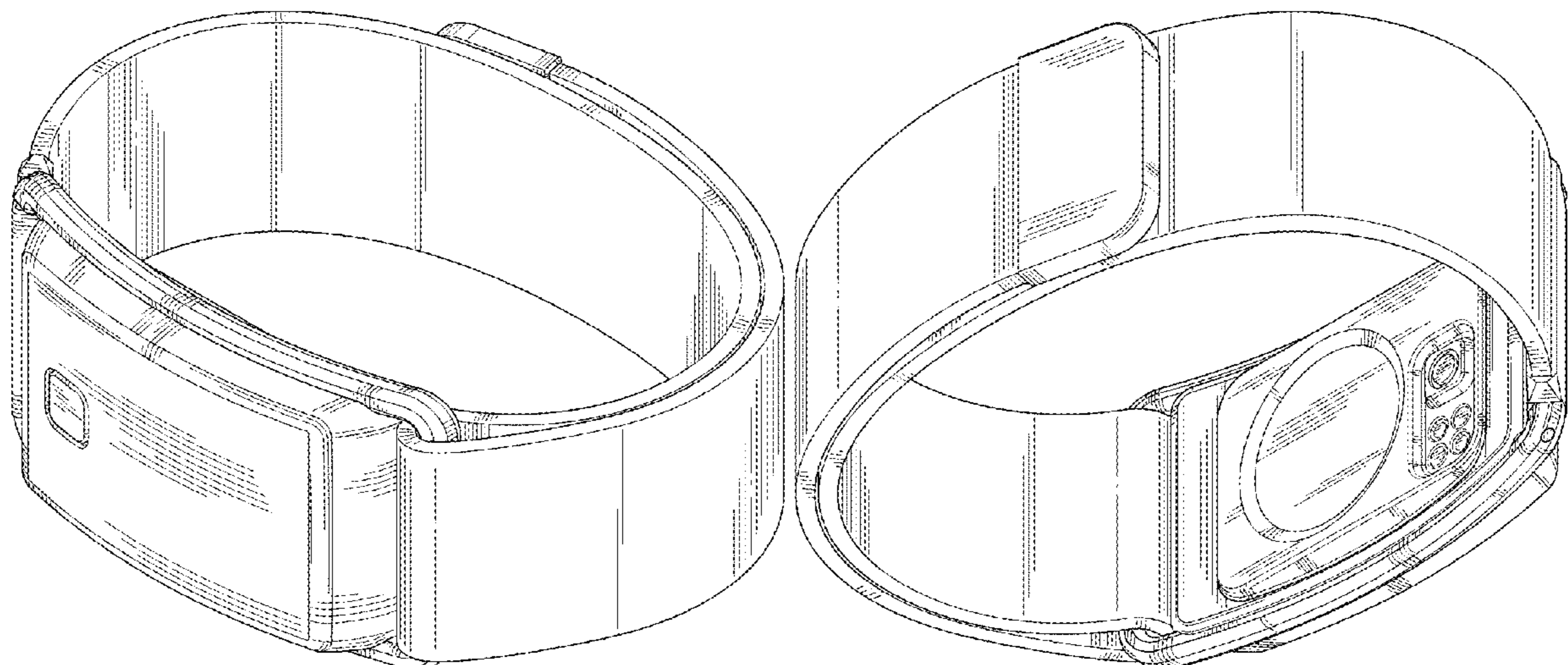
(74) *Attorney, Agent, or Firm* — Jeffrey Schox; Caitlin Ploch

(57) **CLAIM**

We claim the ornamental design for a biomonitoring wristband, as shown and described.

FIG. 1 is an isometric view from the front, bottom, right of the biomonitoring wristband.  
 FIG. 2 is an isometric view from the back, top, left of the biomonitoring wristband.  
 FIG. 3 is an elevation view from the front of the biomonitoring wristband.  
 FIG. 4 is an elevation view from the back of the biomonitoring wristband.  
 FIG. 5 is an elevation view from the left of the biomonitoring wristband.  
 FIG. 6 is an elevation view from the right of the biomonitoring wristband.  
 FIG. 7 is a plan view from the top of the biomonitoring wristband.  
 FIG. 8 is a plan view from the bottom of the biomonitoring wristband.  
 FIG. 9 is an isometric view from the front, bottom, right of an exploded view of the biomonitoring wristband.  
 FIG. 10 is an isometric view from the back, top, left of an exploded view of the biomonitoring wristband.  
 FIG. 11 is an elevation view from the front of an exploded view of the biomonitoring wristband.  
 FIG. 12 is an elevation view from the back of an exploded view of the biomonitoring wristband.  
 FIG. 13 is an elevation view from the left of an exploded view of the biomonitoring wristband.  
 FIG. 14 is an elevation view from the right of an exploded view of the biomonitoring wristband.  
 FIG. 15 is a plan view from the top of a first element of the biomonitoring wristband.  
 FIG. 16 is a plan view from the bottom of the first element of the biomonitoring wristband.  
 FIG. 17 is a plan view from the top of a second element of the biomonitoring wristband.  
 FIG. 18 is a plan view from the bottom of the second element of the biomonitoring wristband.  
 FIG. 19 is a plan view from the top of a third element of the biomonitoring wristband; and,  
 FIG. 20 is a plan view from the bottom of the third element of the biomonitoring wristband.  
 The broken lines depict environment that forms no part of the claimed design.

**1 Claim, 8 Drawing Sheets**



(58) **Field of Classification Search**

CPC .. A44C 5/00-5/16; A44C 5/0015; A44C 5/02;  
 A44C 5/14; G04B 37/00-37/228; G04B  
 45/0069; G04B 47/04; G04B  
 19/00-19/34; G04B 21/12; G04B 23/12;  
 G04B 47/00-47/068; G04B 47/065;  
 G04B 47/066; G04B 37/1486; G01C  
 17/00; G01C 21/00-21/3697; G01C  
 22/00-22/025; G01C 23/00-23/005;  
 G01C 21/16; A63C 11/02; G06F 19/3481;  
 G06F 3/00-3/027; G06F 1/163; G06F  
 3/038; G06F 3/03547; G01P 1/00-1/26;  
 G01P 15/00-15/18; A63B  
 24/00-2024/0096; A63B 2213/00; A63B  
 69/0028; A63B 2071/0658-2071/0666;  
 A63B 2220/00-2220/89; A63B 2225/02;  
 A63B 71/06; A63B 26/00; A63B  
 24/0075; A63B 2071/0663; A63B  
 71/0686; A63B 24/0062; A63B 24/0084;  
 A63B 2024/0068; A63B 2024/0078;  
 A63B 2024/0056; A63B 2071/0625;  
 A63B 2071/003; A63B 2071/063; A63B  
 2071/065; A63B 2071/068; A63B  
 2071/0675; A63B 2220/40; A63B  
 2220/803; A63B 2220/12; A63B 2220/20;

A63B 2220/22; A63B 2220/30; A63B  
 2225/50; A63B 2225/06; A63B 2230/75;  
 A63B 2024/0065; A63B 2024/0081;  
 A63B 2220/51; A63B 2220/62; A63B  
 2220/836; A61B 5/0537; A61B 5/04872;  
 A61B 5/6831; A61B 5/4869; A61B  
 5/0858; A61B 5/1075; A61B 5/107; A61B  
 5/4875; A61B 5/4878; A61B 5/4881;  
 A61B 5/61-5/6898; A61B 19/44; A61B  
 2019/446; A61B 71/00; A61B 5/02416;  
 A61B 5/1118; A61B 2/721; A61B 5/002;  
 A61B 5/112; A61B 5/1122; A61B 5/746;  
 A61B 5/6823; A61B 5/72; A61B 5/7445;  
 A61B 5/0022; A61B 5/14532; G04R  
 20/02; G04C 10/00; G04C 10/02; G08B  
 21/0269; G08B 21/0272; G08B 21/0286;  
 G08B 21/0288; G08B 21/0291; G08B  
 21/04-21/2454; G01S 19/00-19/55;  
 G04G 9/0064; G04G 9/0005; G04G  
 17/00; G04G 17/08; G04G 17/04; G04G  
 21/02; G04G 21/00; G04G 21/08; A41D  
 1/02; G09F 3/005; G06Q 10/00; G06Q  
 50/00; G04F 10/00

See application file for complete search history.

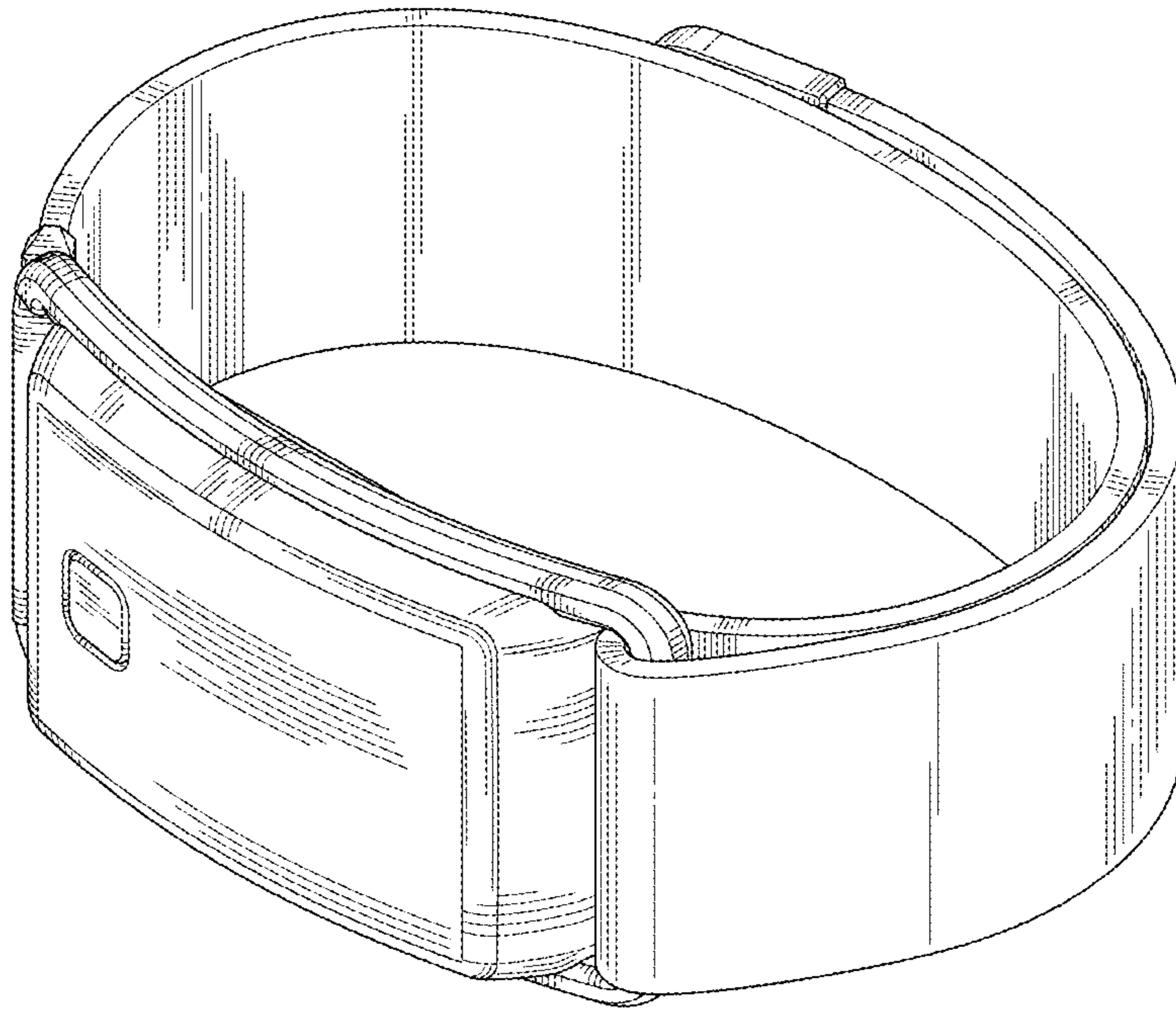


FIG. 1

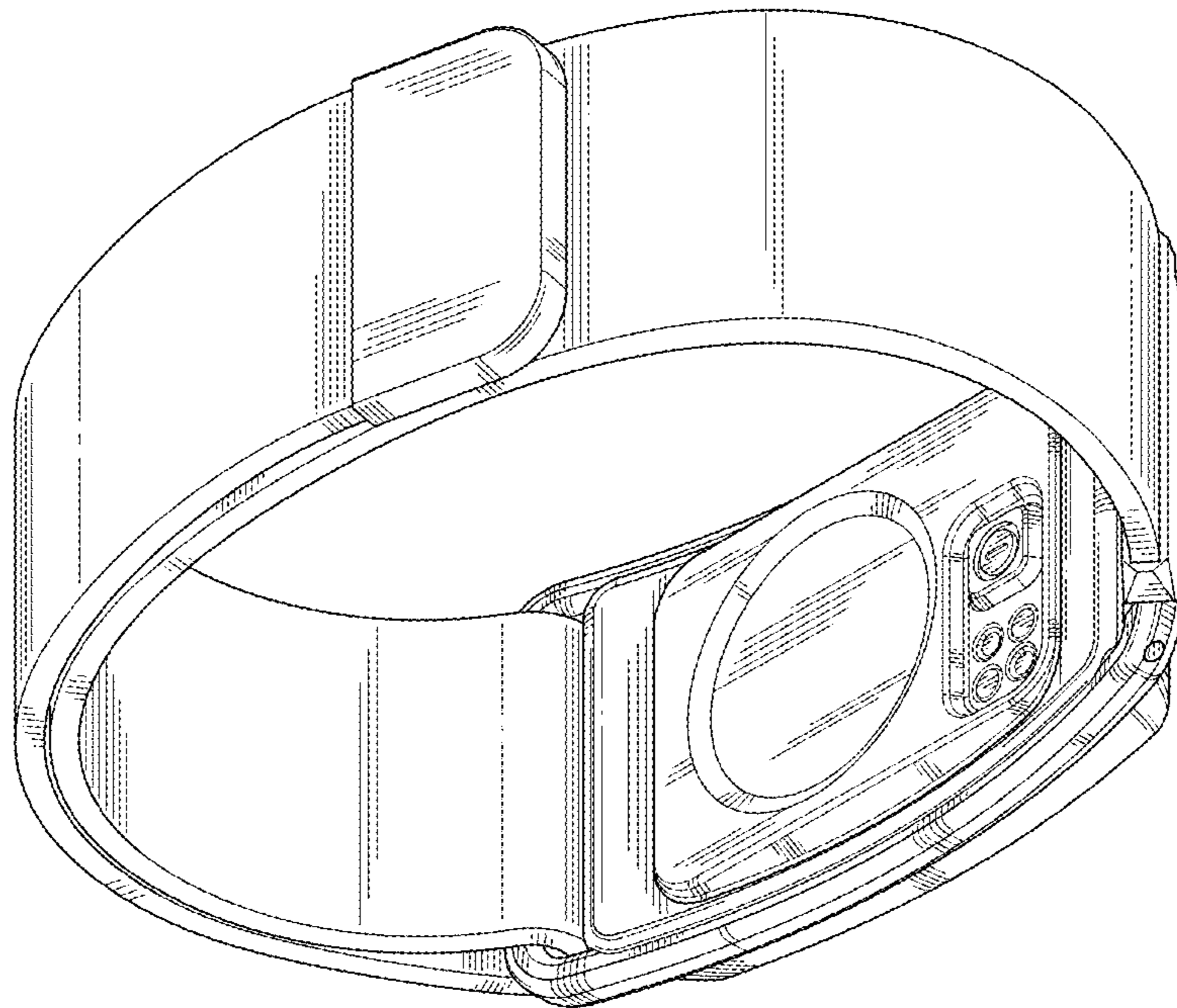


FIG. 2

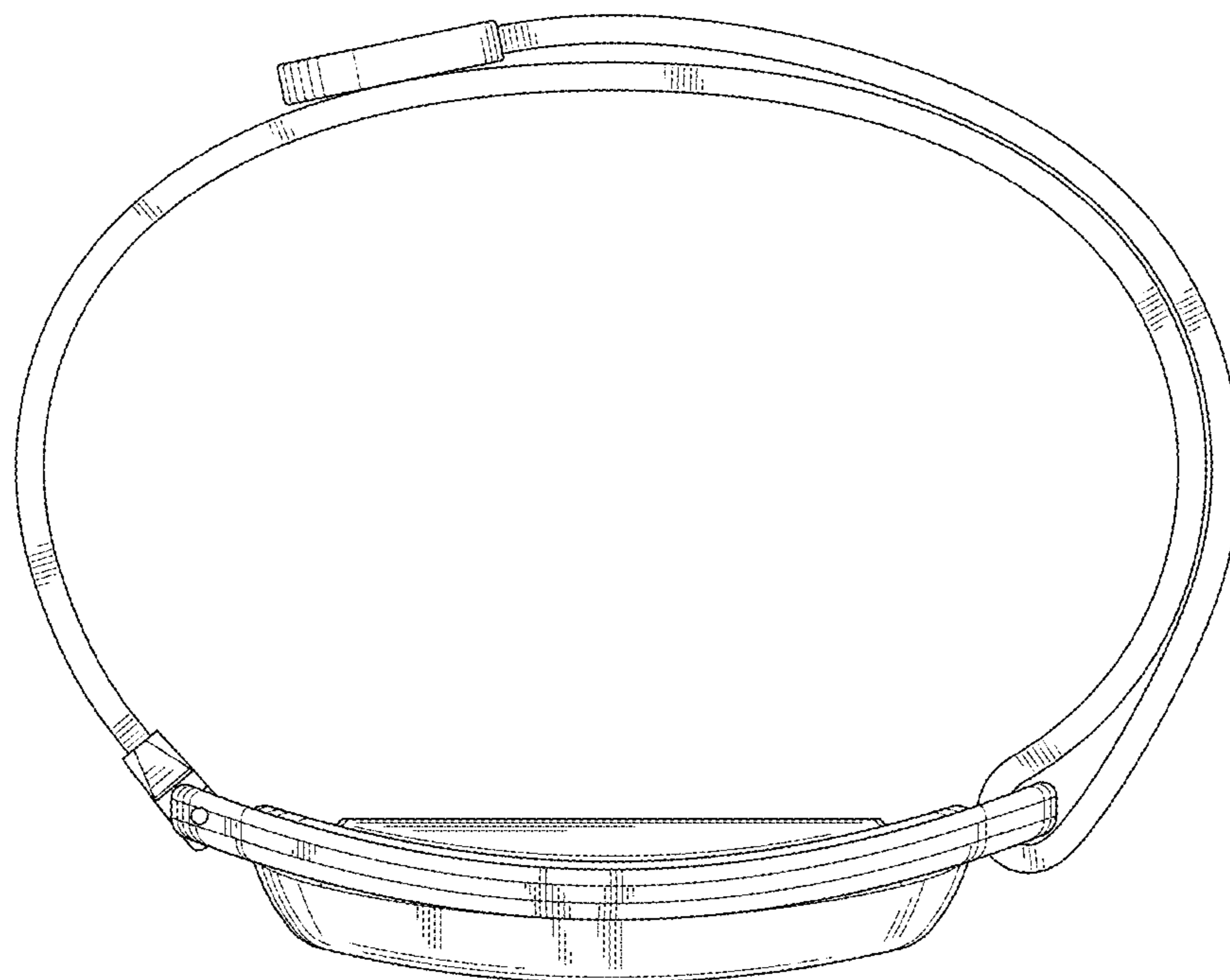


FIG. 3

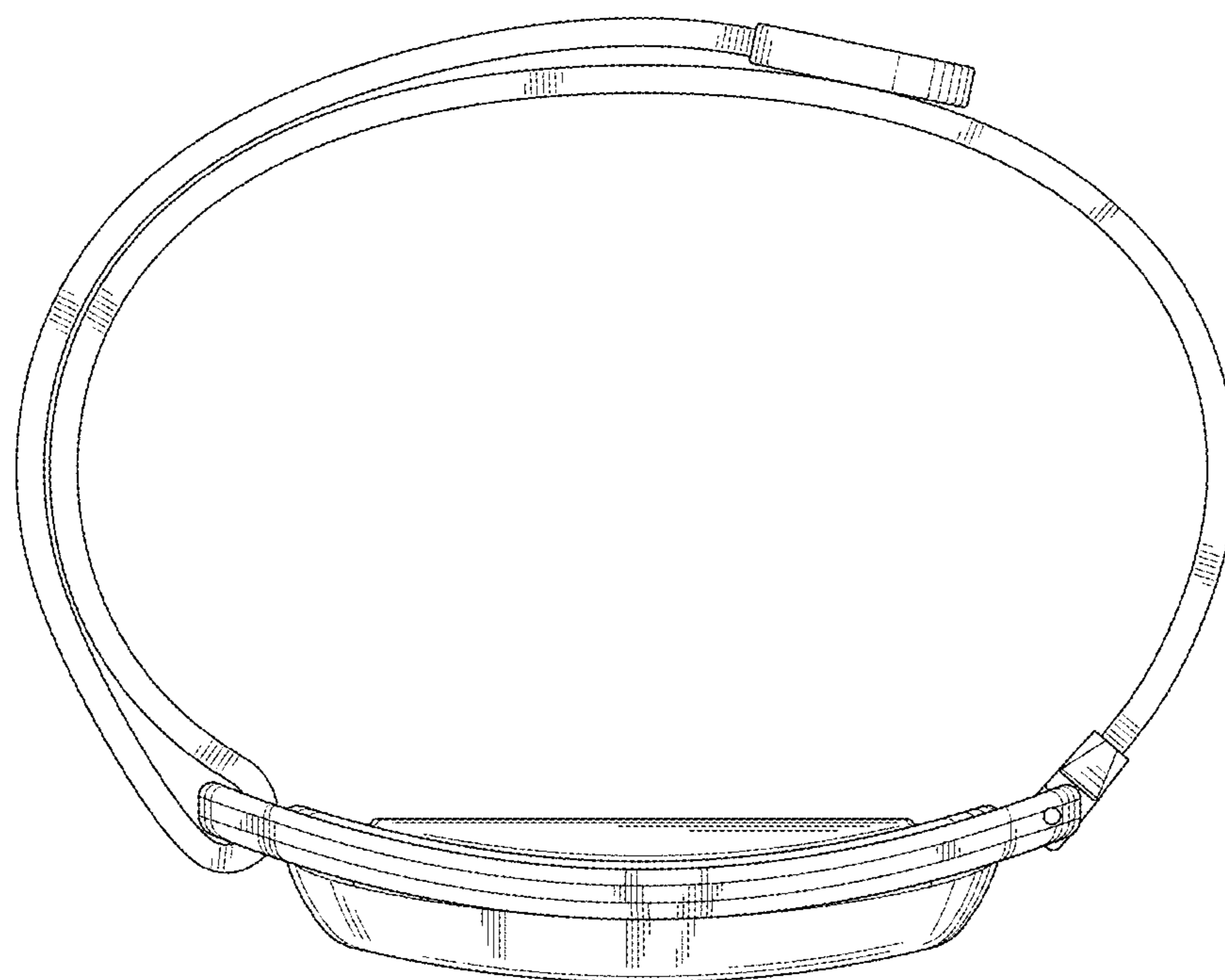


FIG. 4

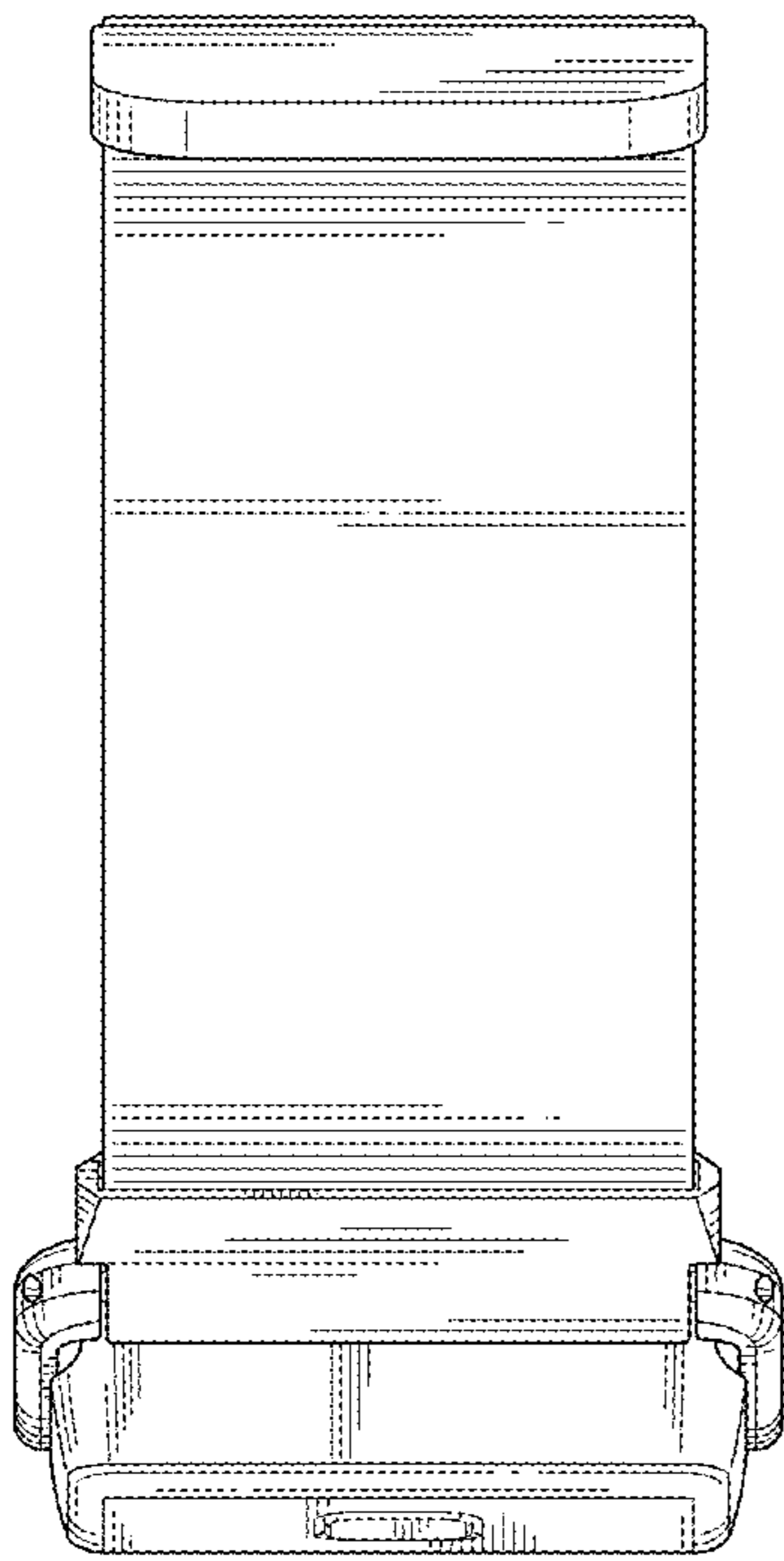


FIG. 5

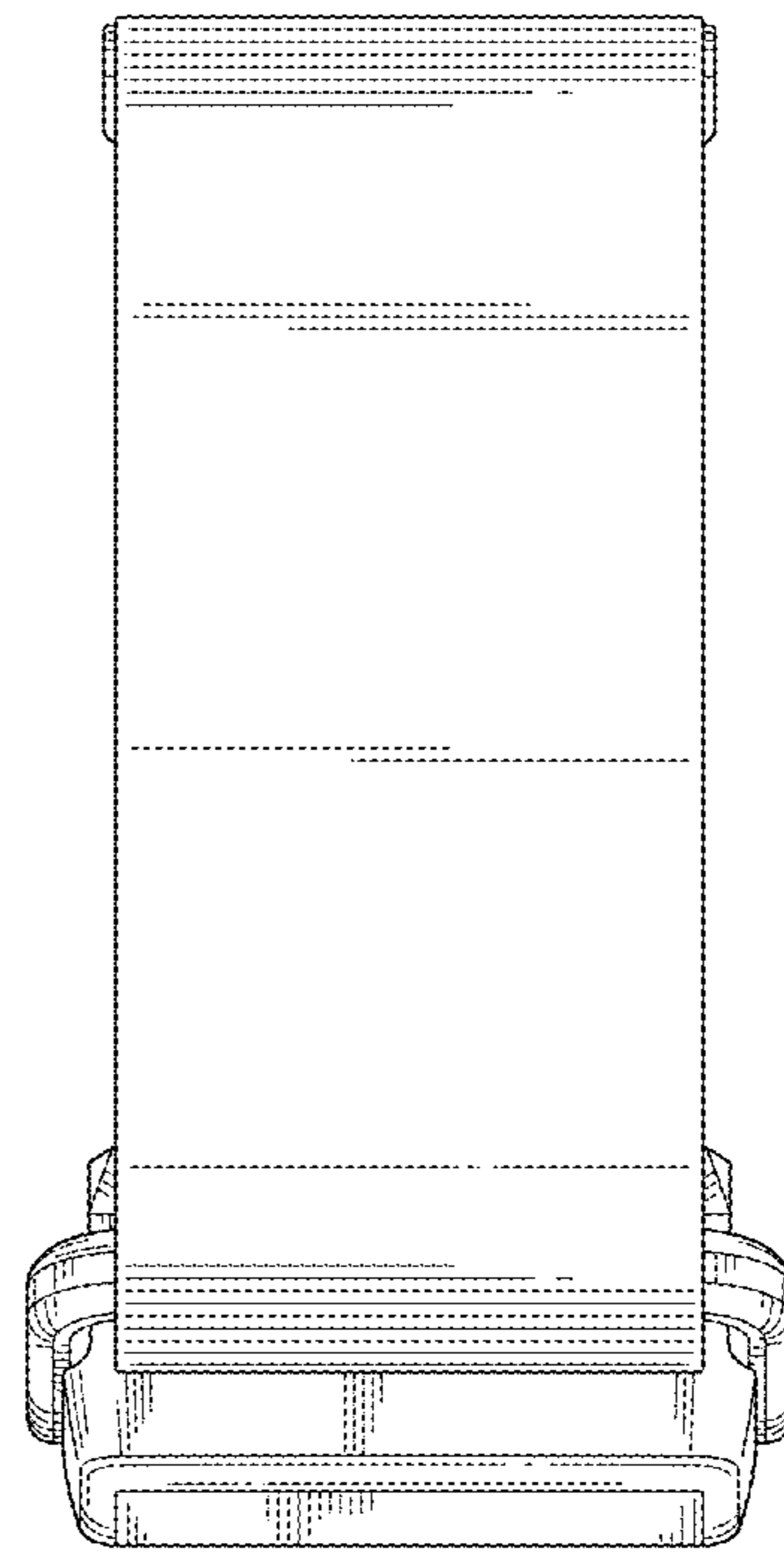


FIG. 6

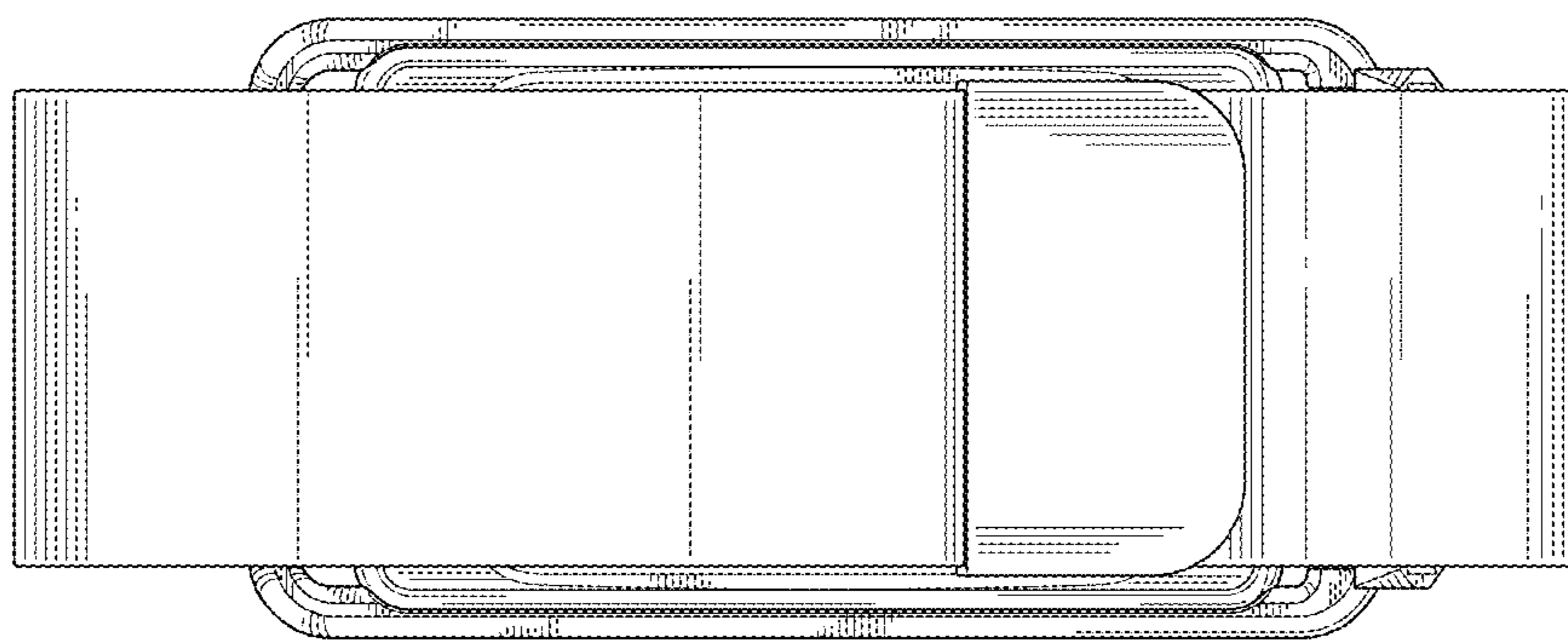


FIG. 7

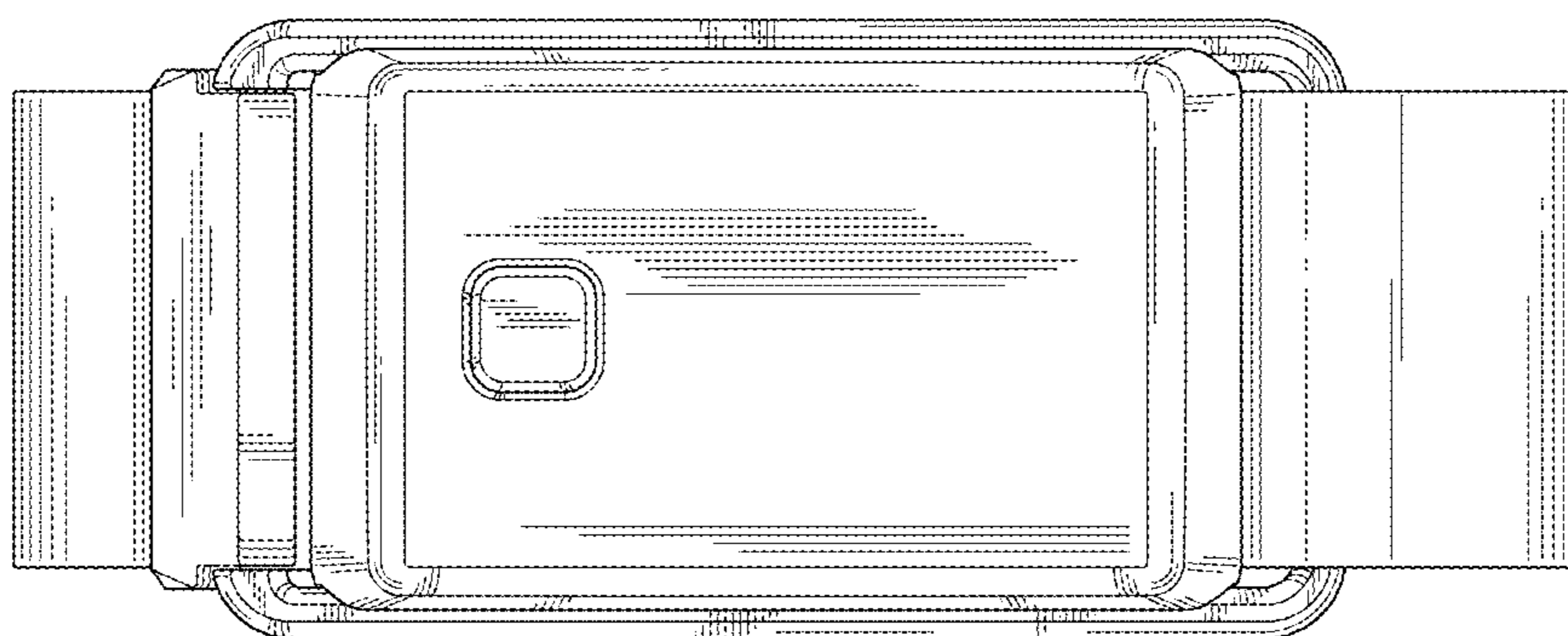


FIG. 8

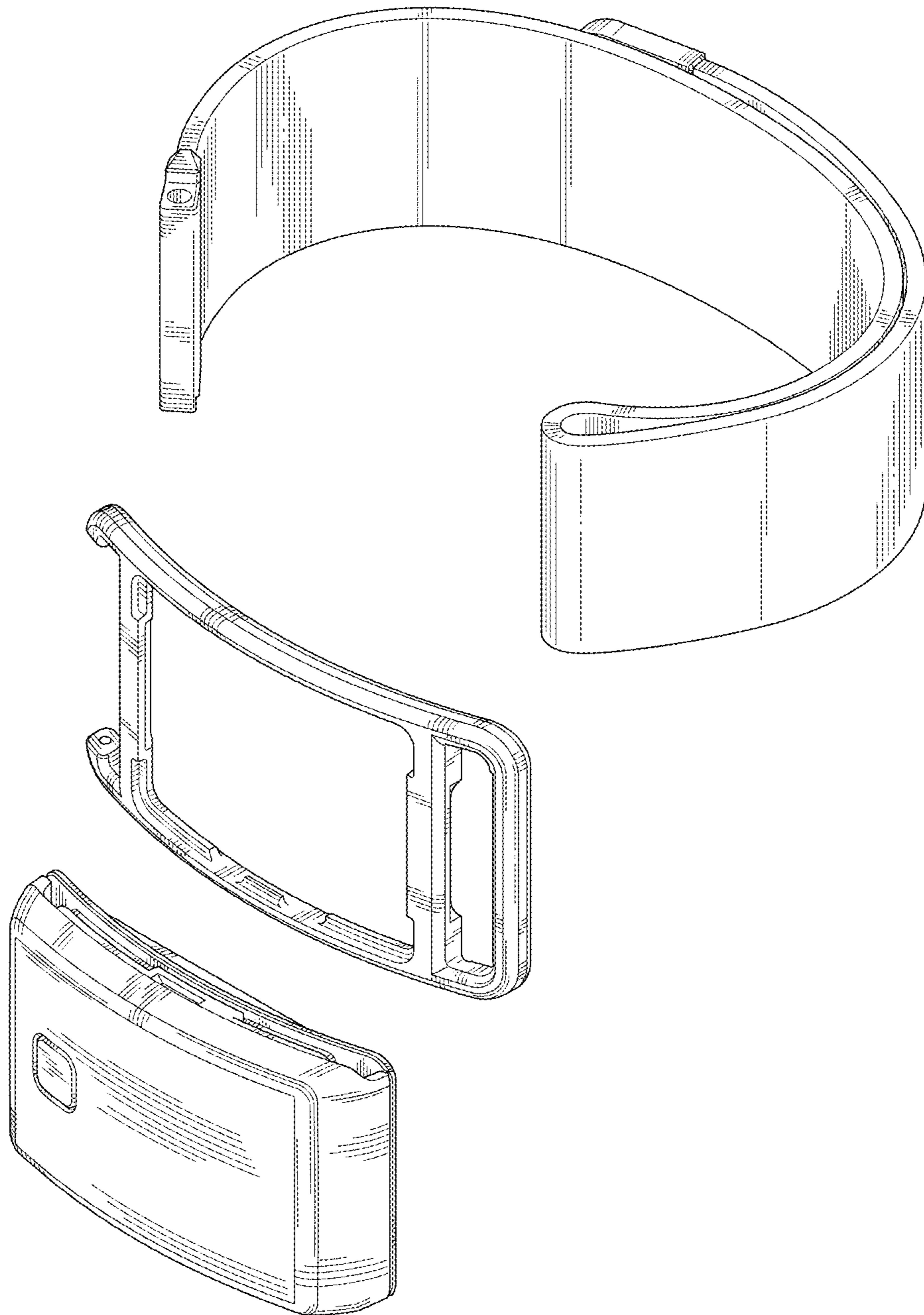


FIG. 9

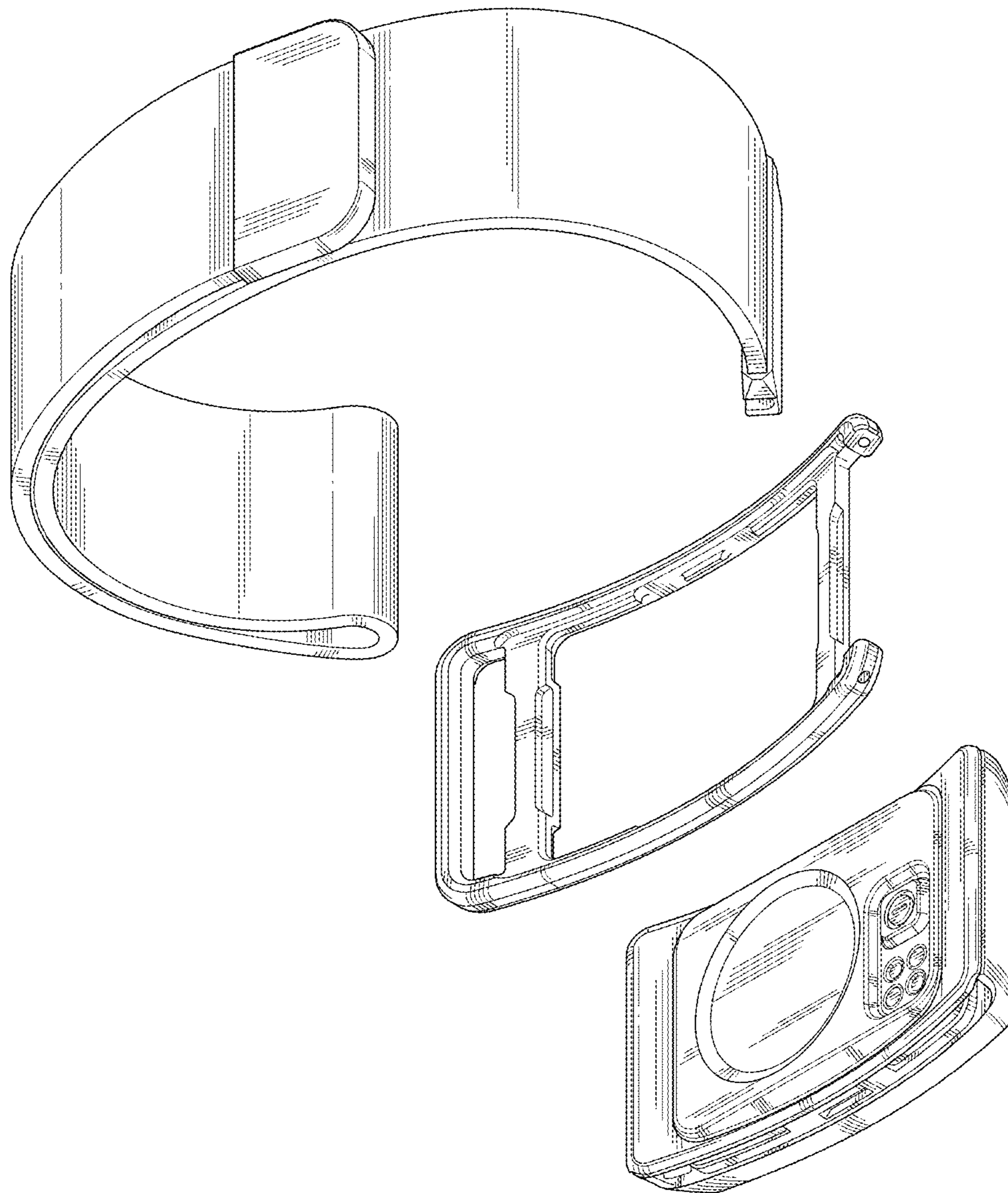


FIG. 10

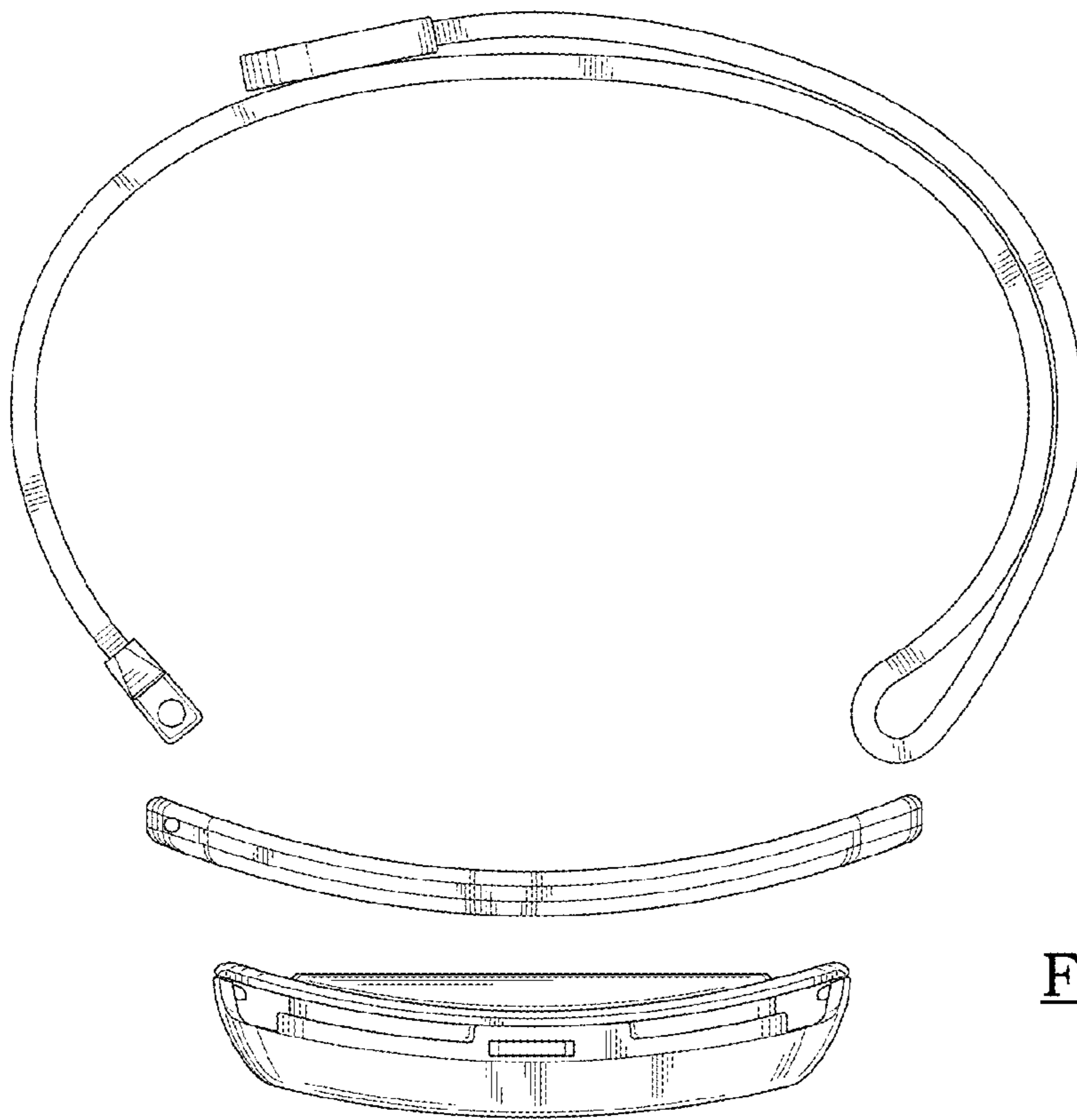


FIG. 11

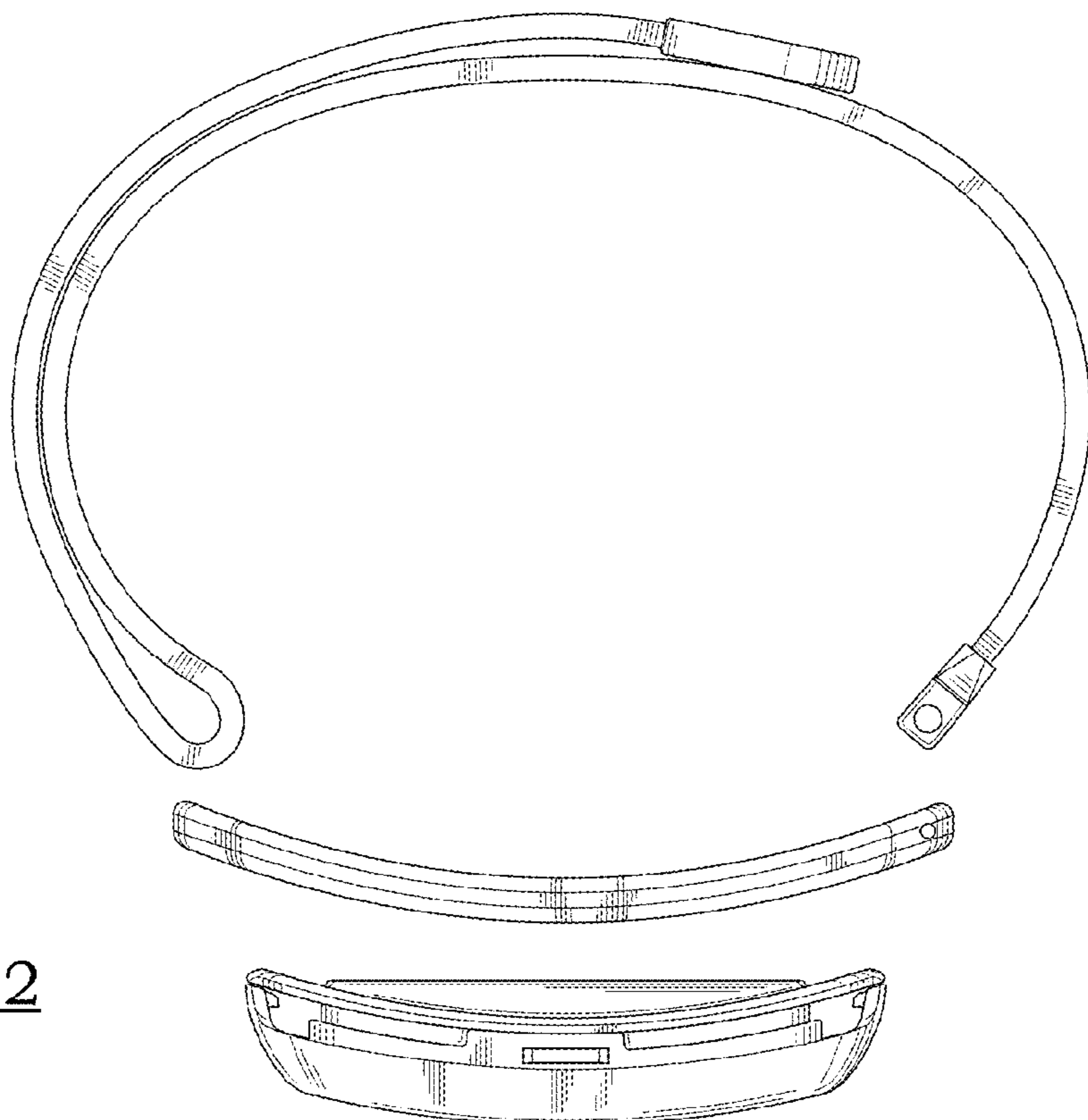


FIG. 12



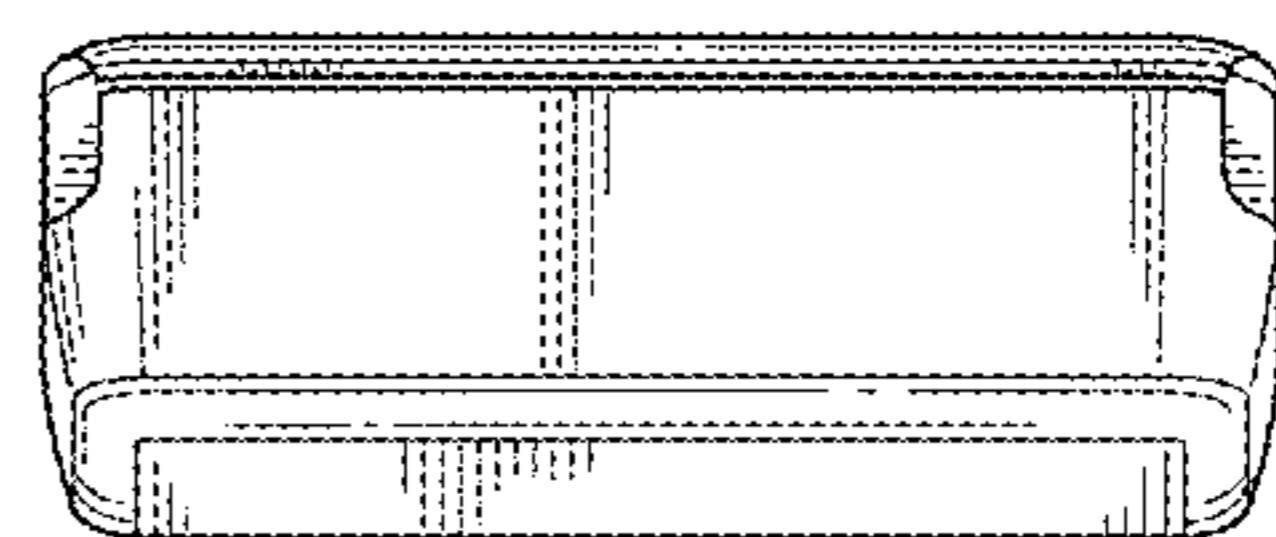
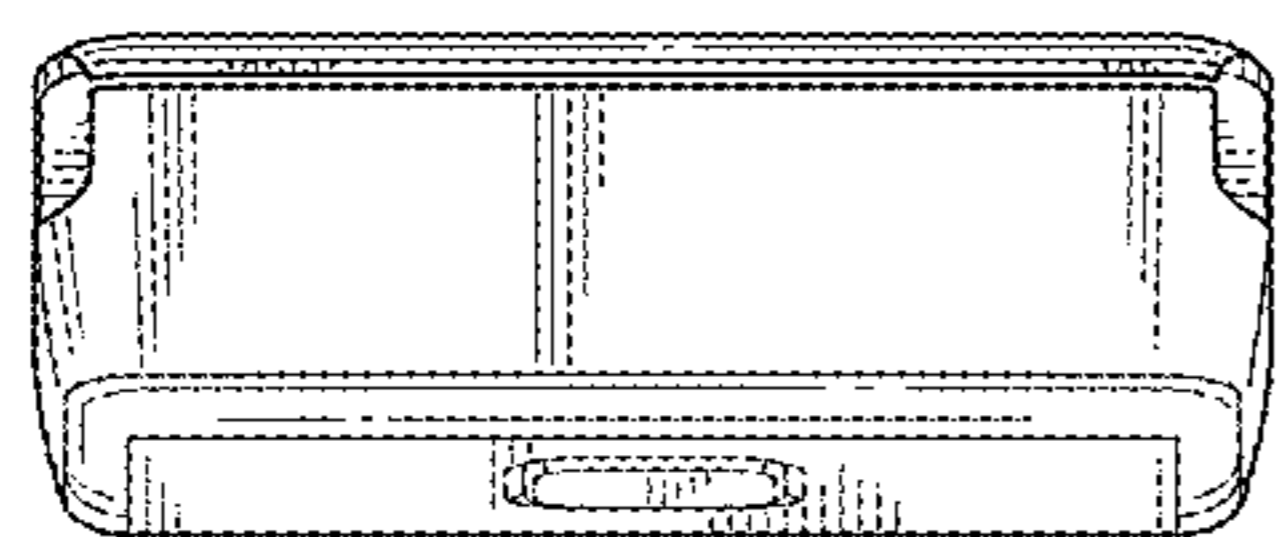
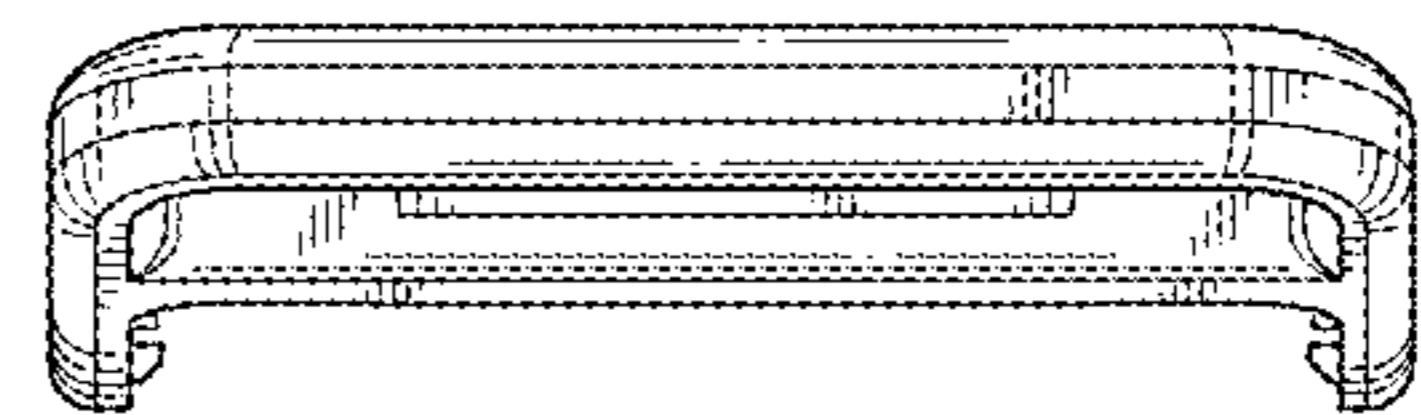
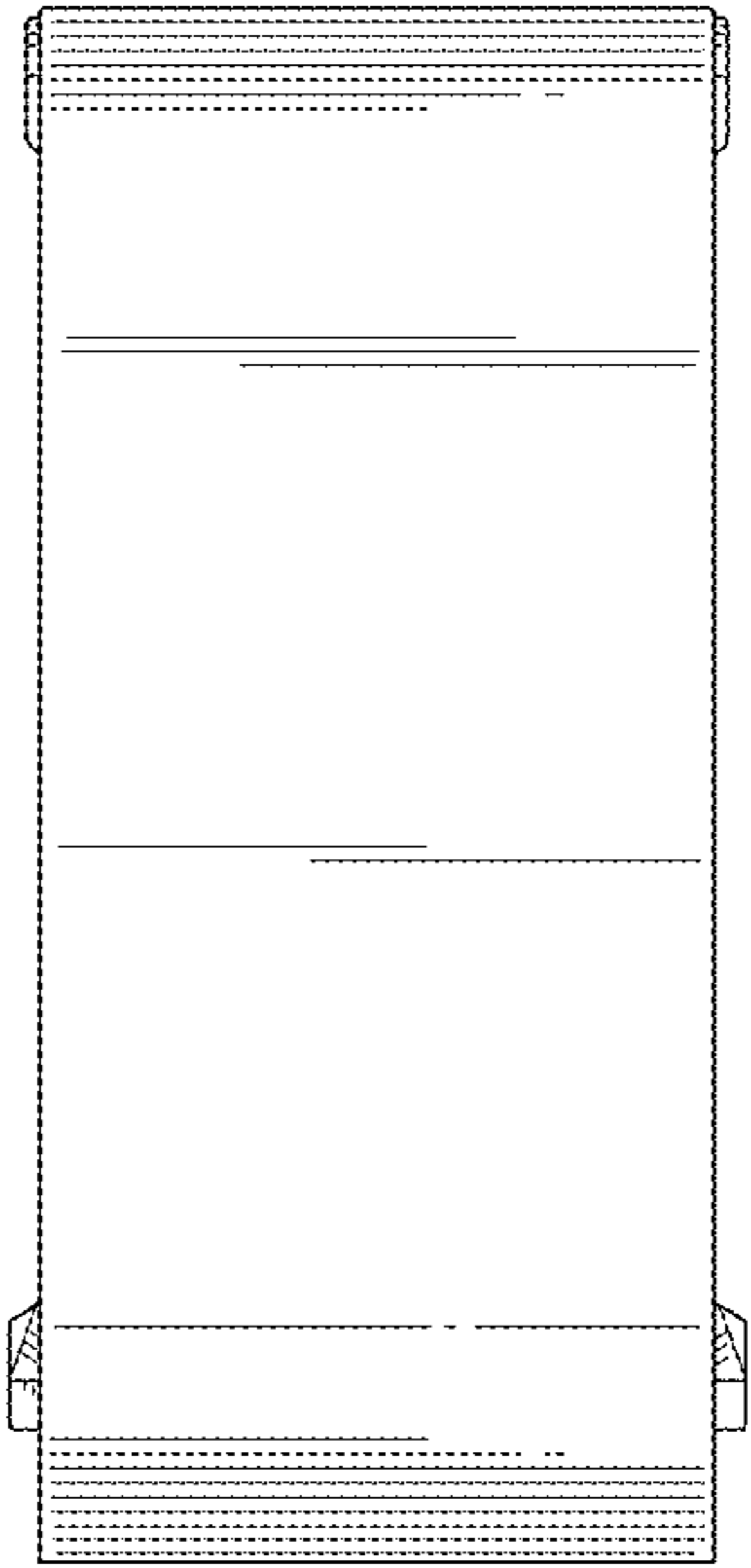
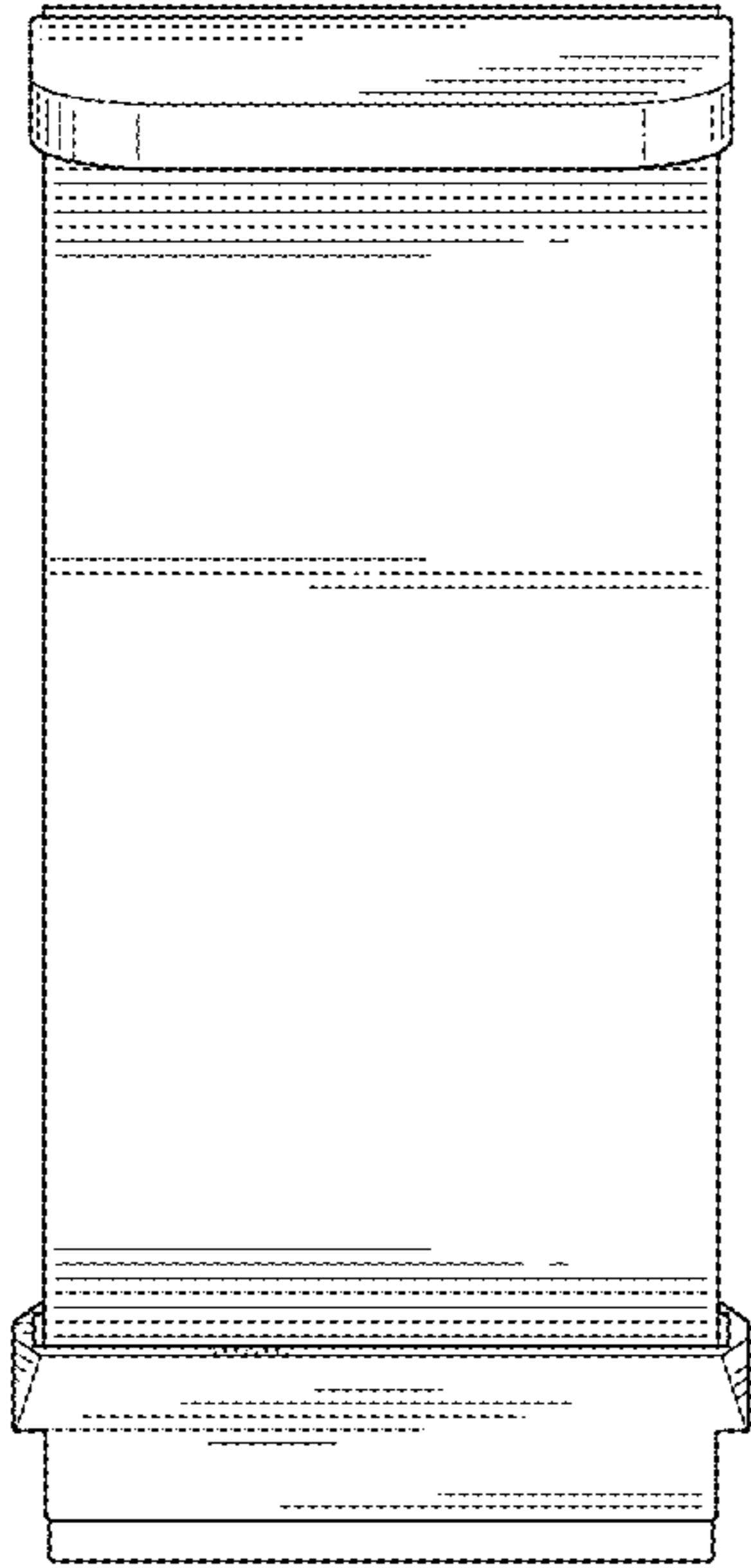


FIG. 13

FIG. 14

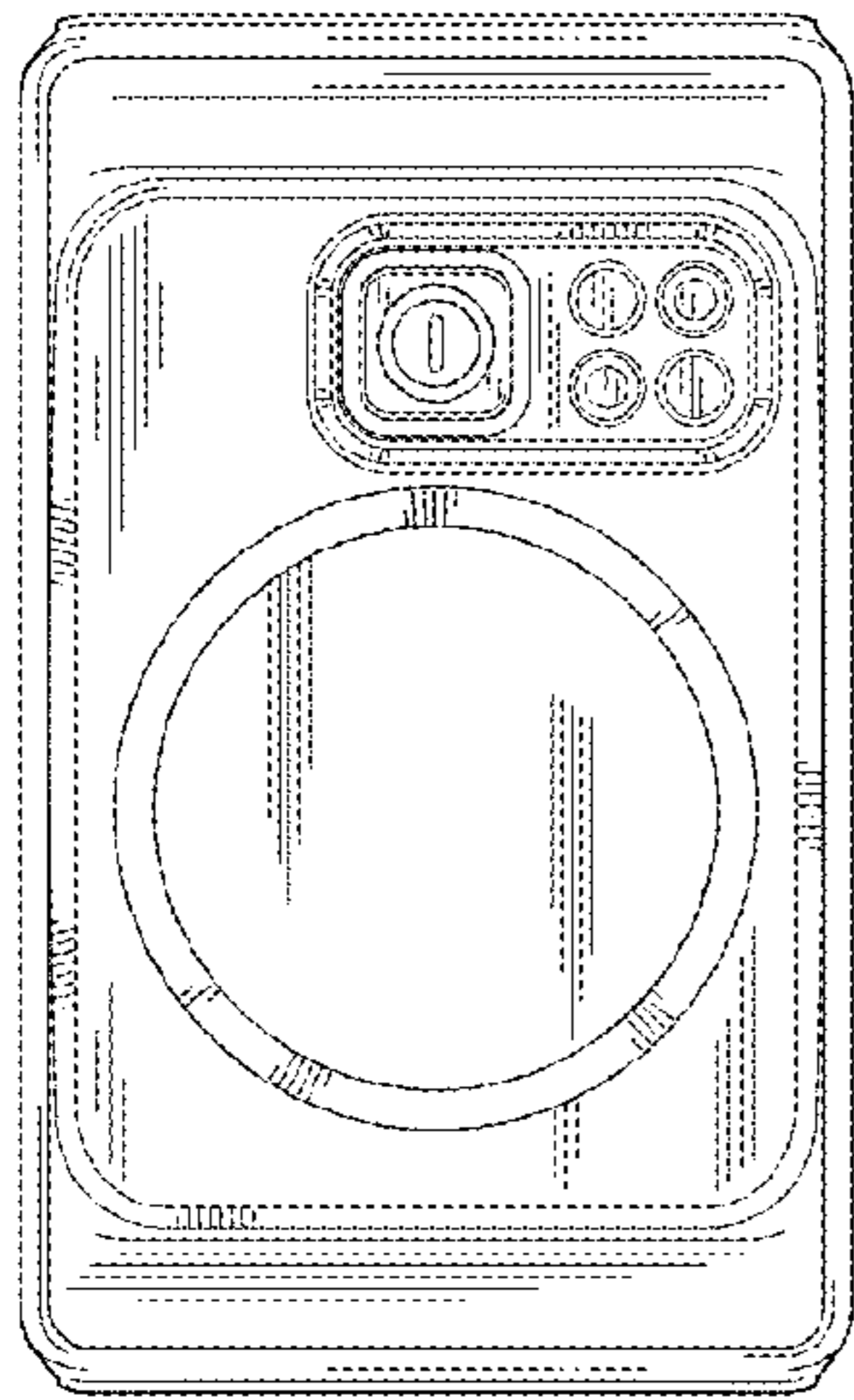


FIG. 15

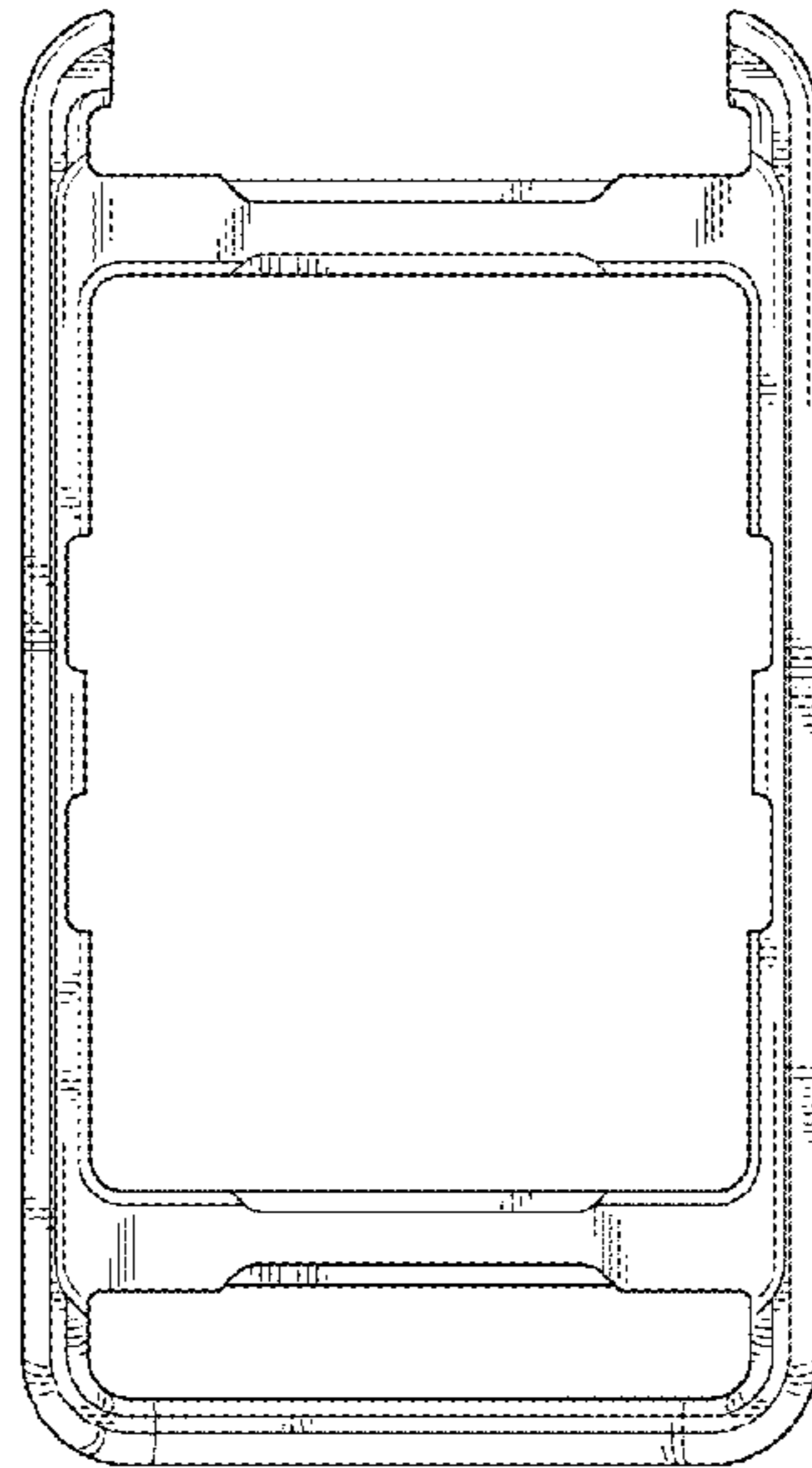


FIG. 17

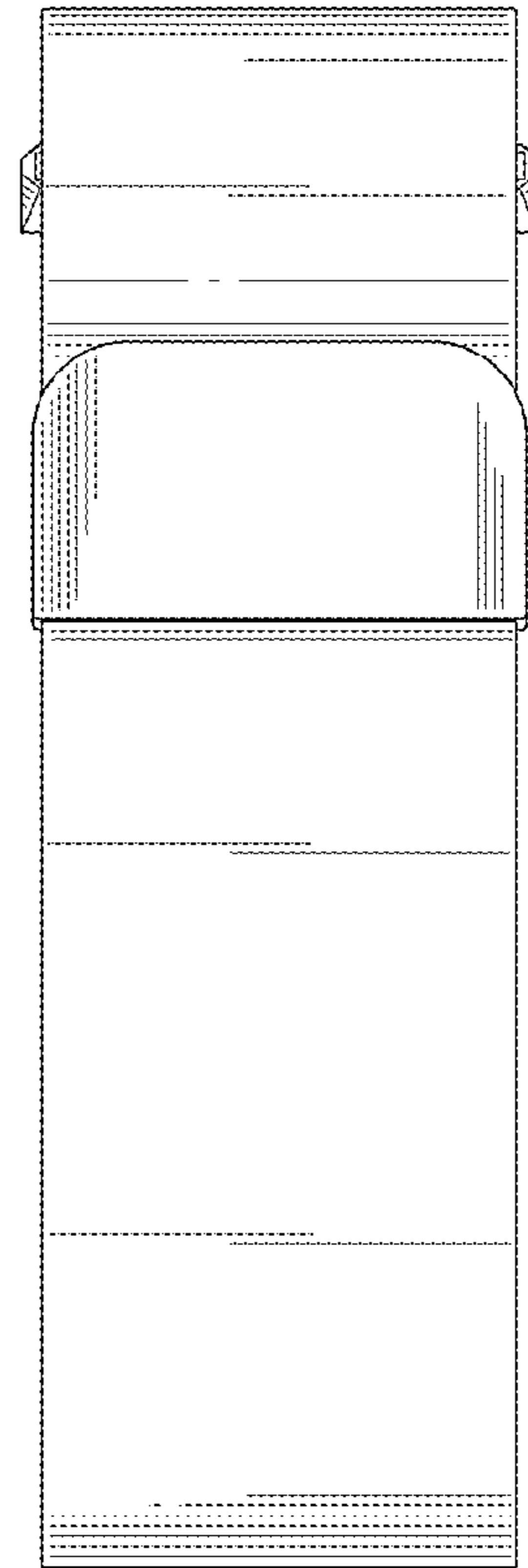


FIG. 19

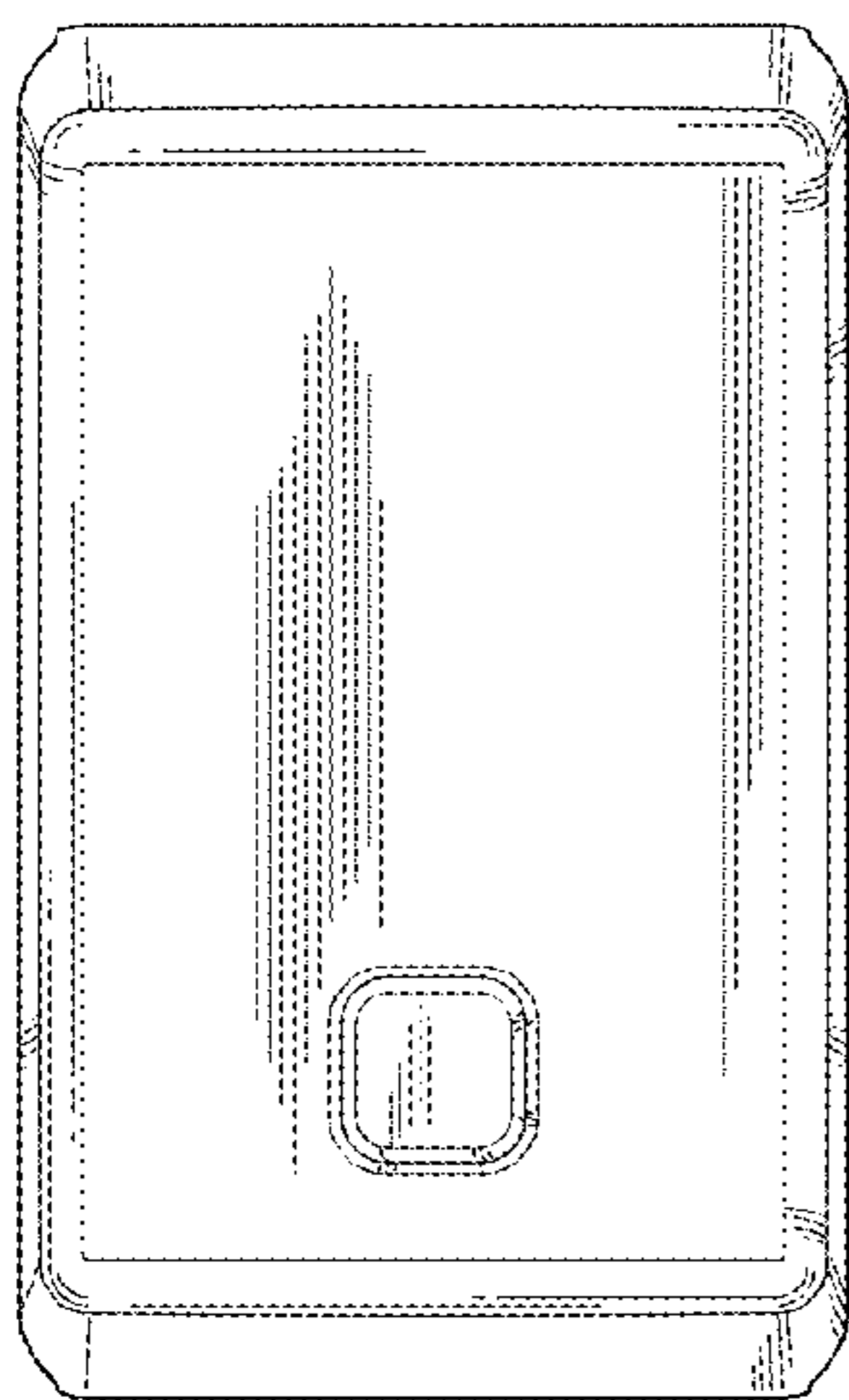


FIG. 16

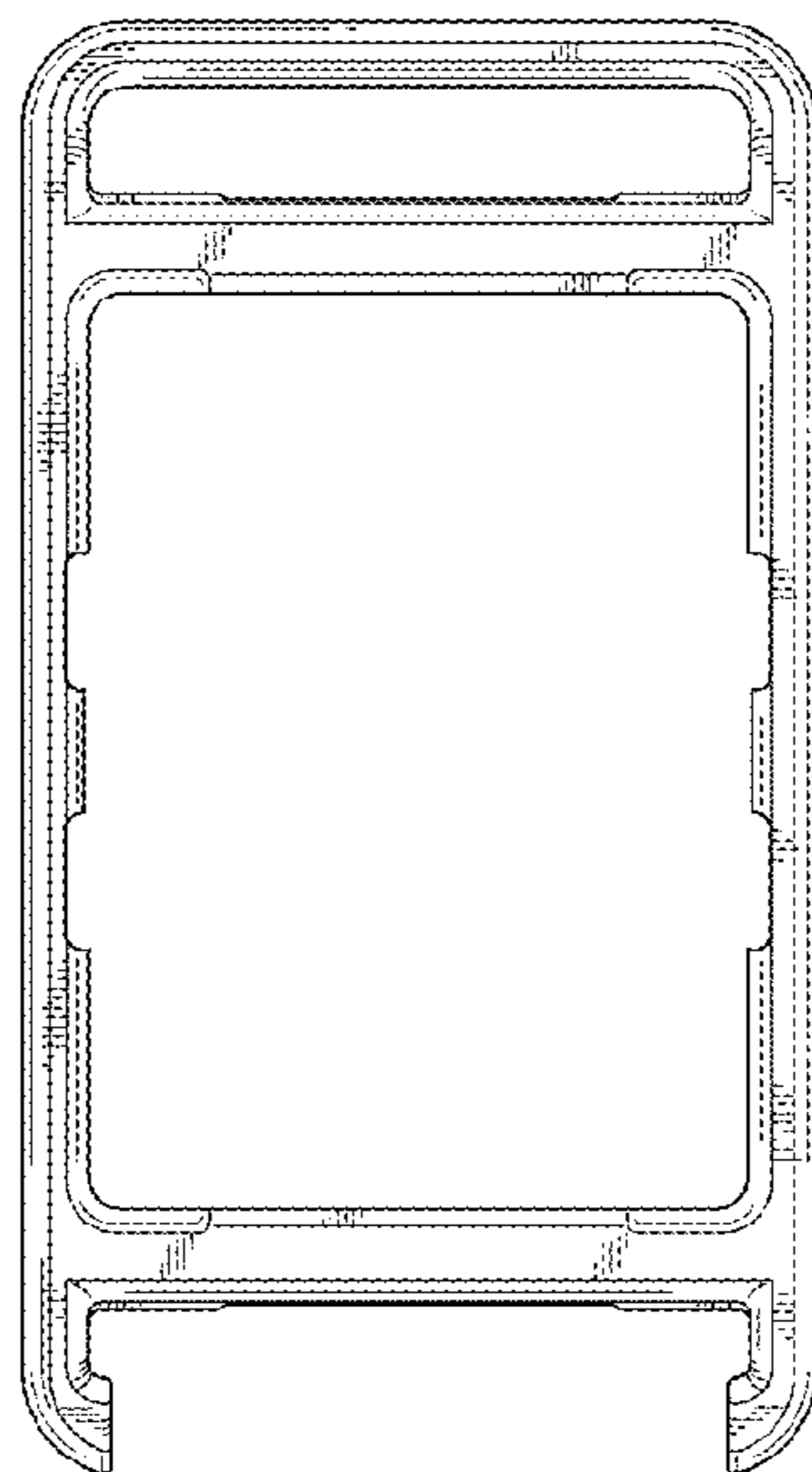


FIG. 18

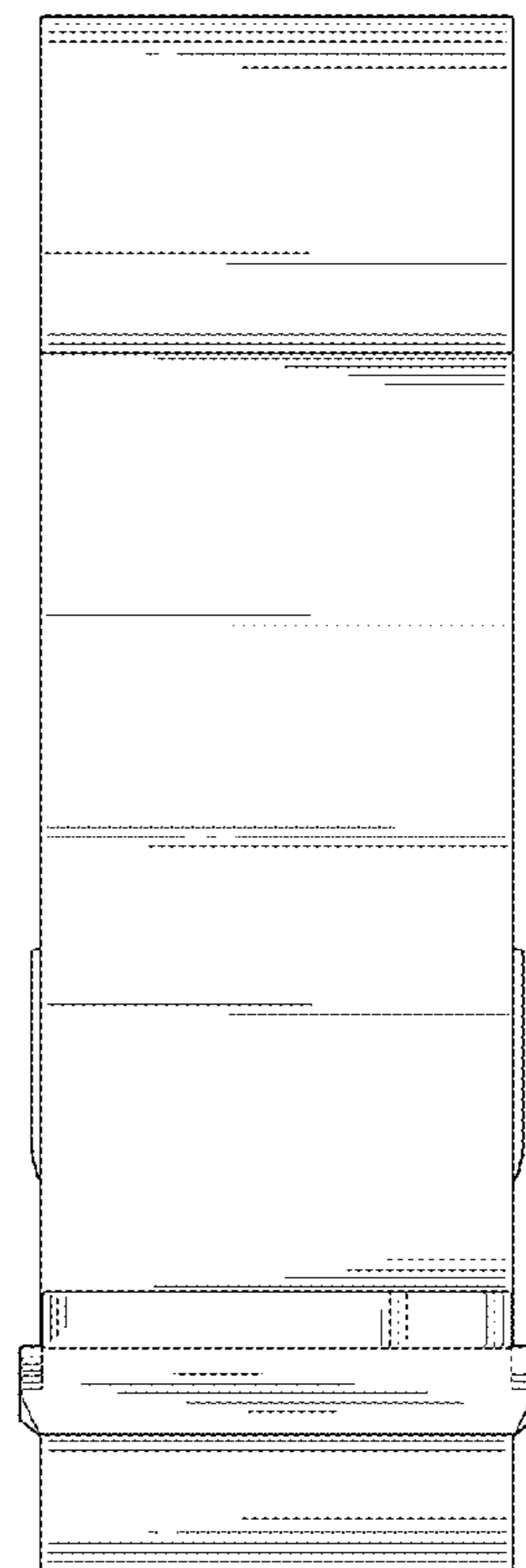


FIG. 20