



US00D901316S

(12) **United States Design Patent**  
**Krywyj et al.**

(10) **Patent No.:** **US D901,316 S**

(45) **Date of Patent:** **\*\* Nov. 10, 2020**

(54) **PIPE SENSOR UNIT**

(71) Applicant: **Orbis Intelligent Systems, Inc.**, San Diego, CA (US)

(72) Inventors: **Daniel Milne Krywyj**, La Jolla, CA (US); **Jeffrey A. Prsha**, San Diego, CA (US)

(73) Assignee: **Orbis Intelligent Systems, Inc.**, San Diego, CA (US)

(\*\*) Term: **15 Years**

(21) Appl. No.: **29/674,638**

(22) Filed: **Dec. 21, 2018**

(51) **LOC (12) Cl.** ..... **10-04**

(52) **U.S. Cl.**  
USPC ..... **D10/70**

(58) **Field of Classification Search**  
USPC ..... D10/106.6, 102, 70  
CPC ... G01N 29/02; G01N 21/9515; G01M 3/243;  
G01F 1/662; G01F 1/56; G01V 1/18  
See application file for complete search history.

(56) **References Cited**

**U.S. PATENT DOCUMENTS**

D266,996 S *	11/1982	Beeson	.....	D10/106.6
D417,165 S *	11/1999	Takeda	.....	D10/106.6
7,963,175 B2 *	6/2011	Gysling	.....	G01F 1/667 73/861.27
8,857,267 B2 *	10/2014	Ahmed	.....	G01F 1/56 73/861.04
9,081,112 B1 *	7/2015	Howell	.....	G01V 1/18
D757,586 S *	5/2016	Li	.....	D10/106.6
D764,335 S *	8/2016	Thornton	.....	D10/106.6
9,696,195 B2 *	7/2017	Ishikawa	.....	G01F 1/662
9,739,721 B2 *	8/2017	Gutierrez Perez	.....	G01N 21/9515
10,107,710 B2 *	10/2018	Showcatally	.....	G01M 3/243

10,126,266 B2 \* 11/2018 Cage ..... G01N 29/02  
D874,954 S 2/2020 Krywyj et al.  
D878,944 S \* 3/2020 Krywyj ..... D10/102

**OTHER PUBLICATIONS**

Australian Office Action dated Nov. 7, 2018, issued in Australian Patent Application No. 201815982.

(Continued)

*Primary Examiner* — George D. Kirschbaum

(74) *Attorney, Agent, or Firm* — Weaver Austin Villeneuve & Sampson LLP

(57) **CLAIM**

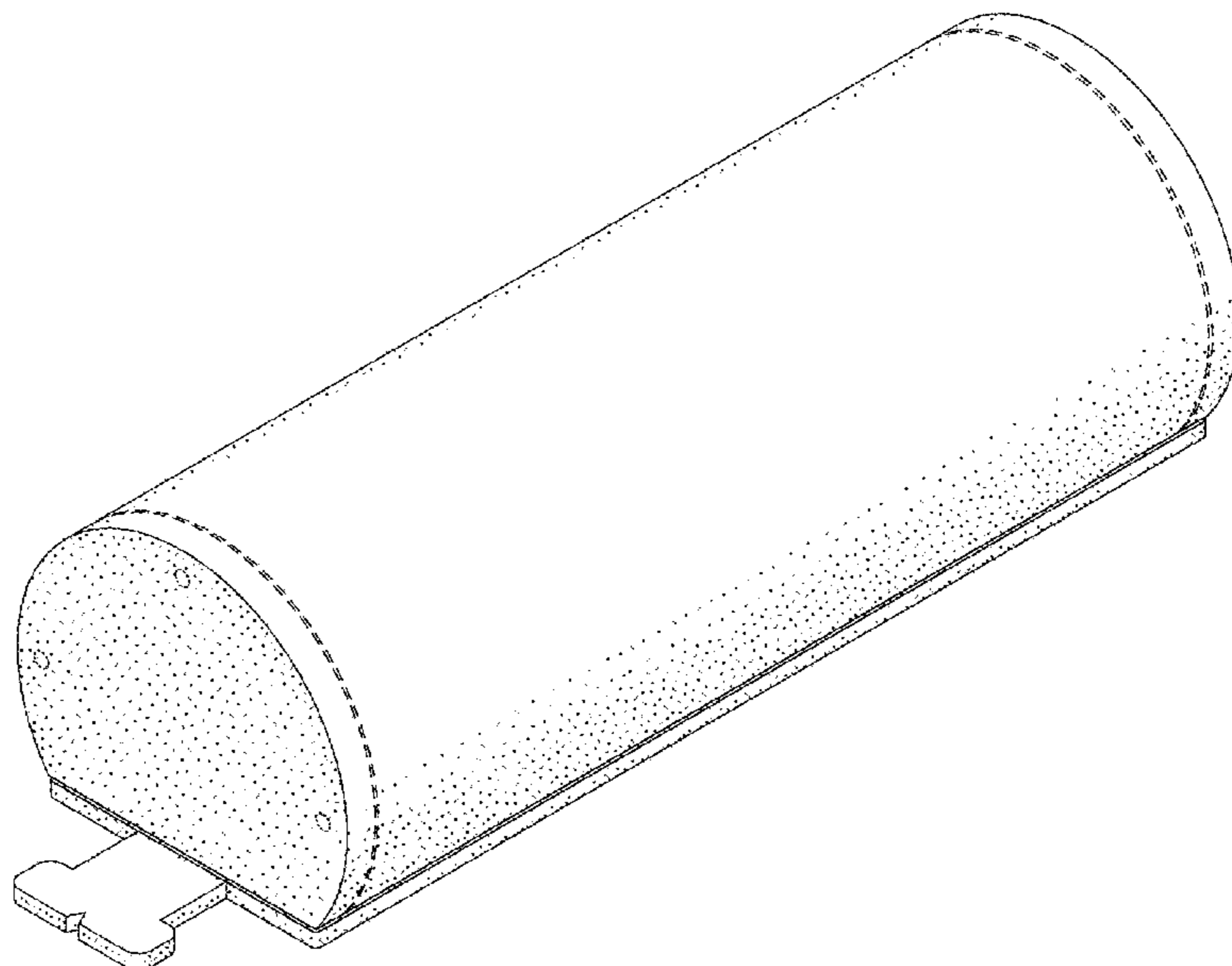
We claim the ornamental design for a pipe sensor unit, as shown and described.

**DESCRIPTION**

FIG. 1 depicts an isometric view of a pipe sensor unit.  
 FIG. 2 depicts a side view of the pipe sensor unit of FIG. 1; the left and right side views are mirror images of each other.  
 FIG. 3 depicts a front view of the pipe sensor unit of FIG. 1.  
 FIG. 4 depicts a back view of the pipe sensor unit of FIG. 1.  
 FIG. 5 depicts a top view of the pipe sensor unit of FIG. 1.  
 FIG. 6 depicts a bottom view of the pipe sensor unit of FIG. 1.  
 FIG. 7 depicts an off-angle view of the pipe sensor unit of FIG. 1; and,  
 FIG. 8 depicts another off-angle view of the pipe sensor unit of FIG. 1.

Broken lines are used to depict features or elements that are not considered to be part of the claimed design; the dash-dot-dash boundary line in FIGS. 6 and 8 indicates a transition between claimed and unclaimed subject matter.

**1 Claim, 5 Drawing Sheets**



(56)

**References Cited**

OTHER PUBLICATIONS

New Zealand Office Action dated Oct. 24, 2018, issued in New Zealand Patent Application No. 425060.  
Australian Office Action dated Jan. 14, 2019, issued in Australian Patent Application No. 201817338.  
New Zealand Office Action dated Dec. 21, 2018, issued in New Zealand Patent Application No. 425481.  
U.S. Appl. No. 29/643,348, filed Apr. 6, 2018, Krywyj et al.  
U.S. Appl. No. 29/650,752, filed Jun. 8, 2018, Krywyj et al.  
Ex Parte Quayle Office Action dated Jun. 28, 2019 in U.S. Appl. No. 29/650,752.  
U.S. Notice of Allowance dated Oct. 31, 2019 in Design U.S. Appl. No. 29/650,752.  
Ex Parte Quayle Office Action dated Jun. 25, 2019 in U.S. Appl. No. 29/643,348.

U.S. Notice of Allowance dated Sep. 30, 2019 in Design U.S. Appl. No. 29/643,348.  
New Zealand Examination Report dated Sep. 17, 2019 in NZ Design Application No. 426457.  
Canadian Examination Report dated Dec. 3, 2019 in CA Design Application No. 185082.  
New Zealand Examination Report dated Oct. 18, 2019 in NZ Design Application No. 425481.  
Australian Office Action dated Jul. 30, 2019, issued in Australian Patent Application No. 201913444.  
New Zealand Office Action dated Jul. 9, 2019, issued in New Zealand Patent Application No. 426148.  
U.S. Appl. No. 29/723,771, filed Feb. 10, 2020, Krywyj, et al.  
U.S. Appl. No. 29/723,772, filed Feb. 10, 2020, Krywyj, et al.  
Preliminary Amendment dated May 11, 2020 in U.S. Appl. No. 29/723,771.  
Preliminary Amendment dated May 11, 2020 in U.S. Appl. No. 29/723,772.

\* cited by examiner

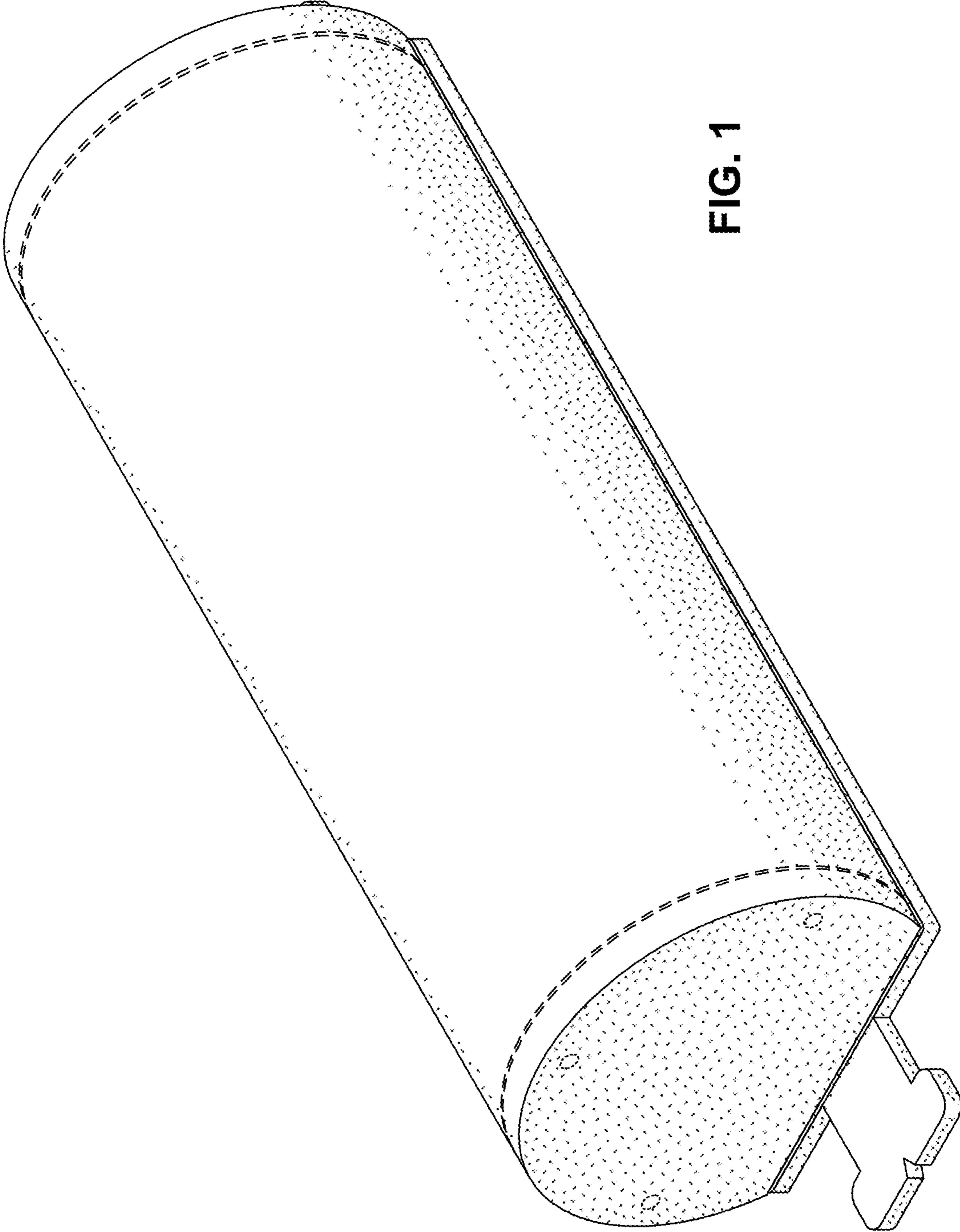


FIG. 1



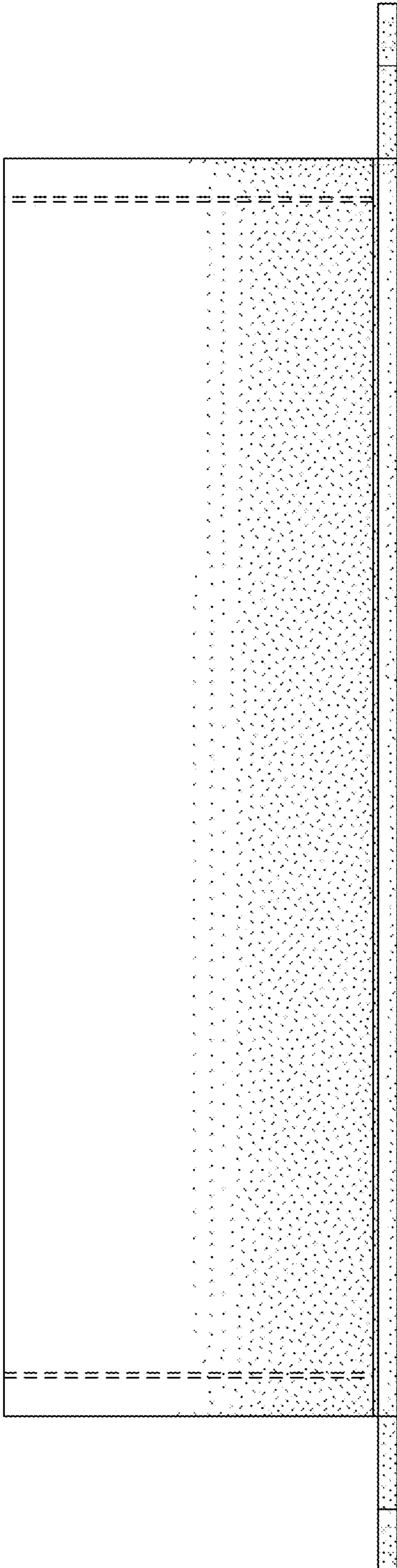


FIG. 2

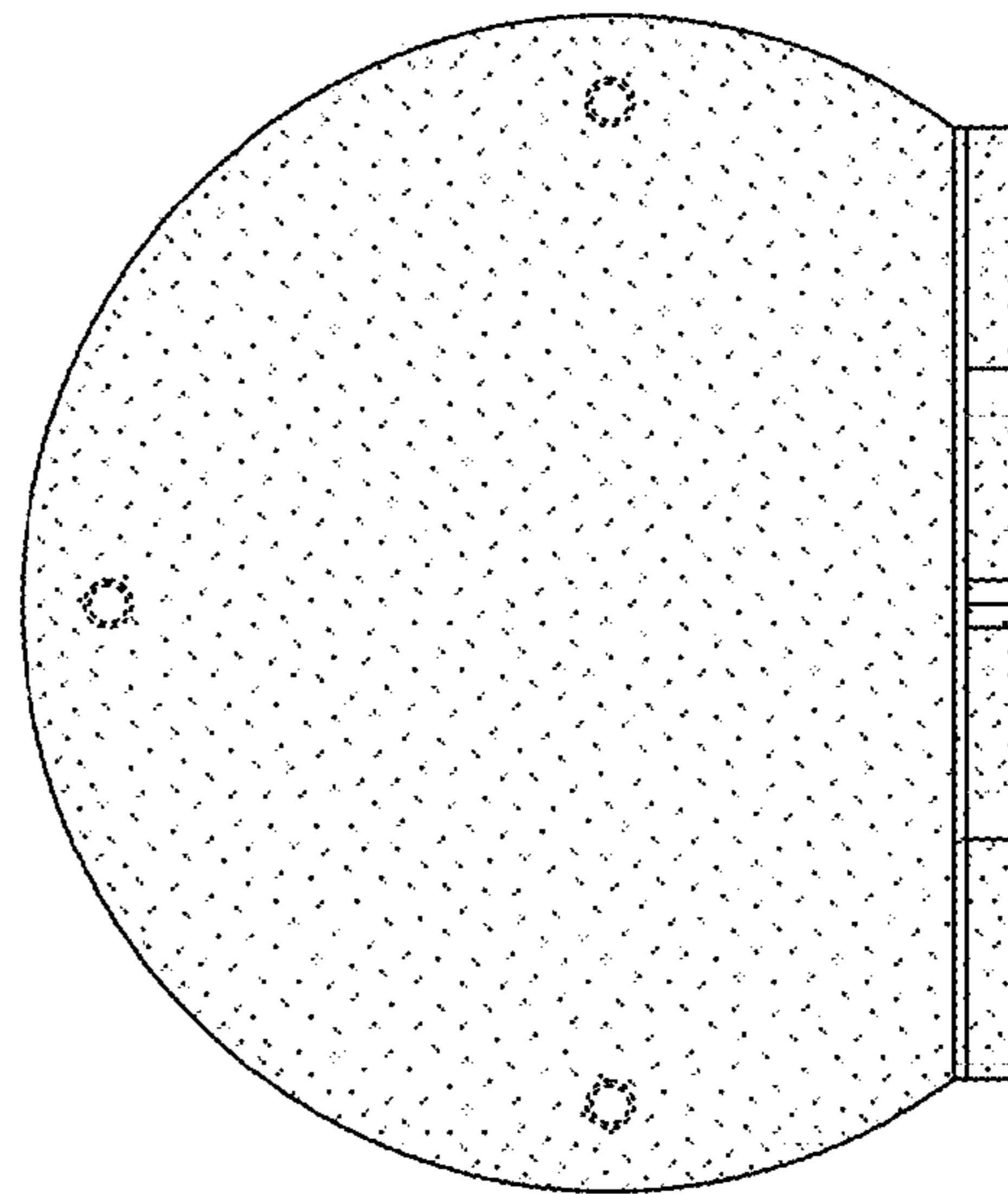


FIG. 3

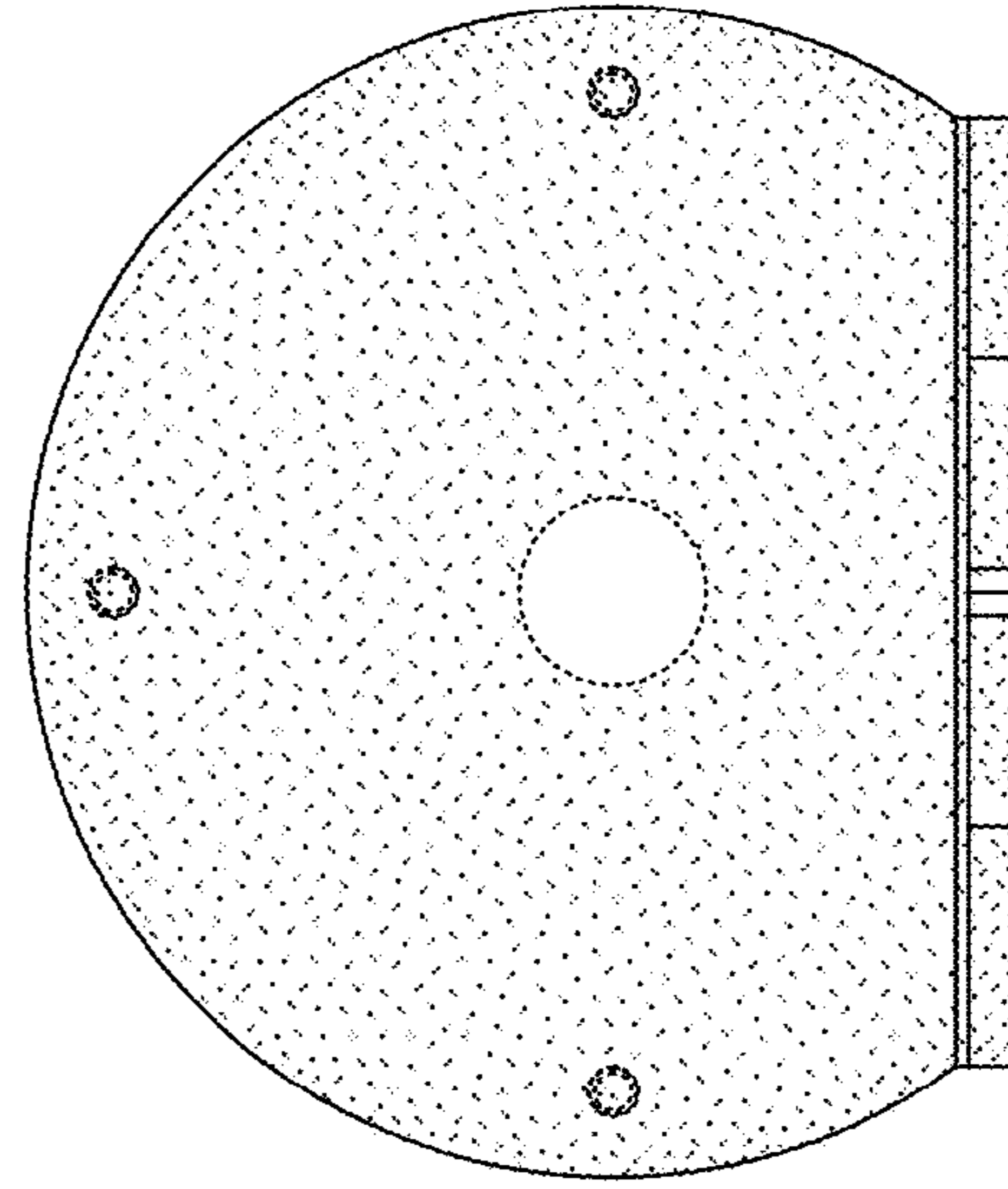


FIG. 4

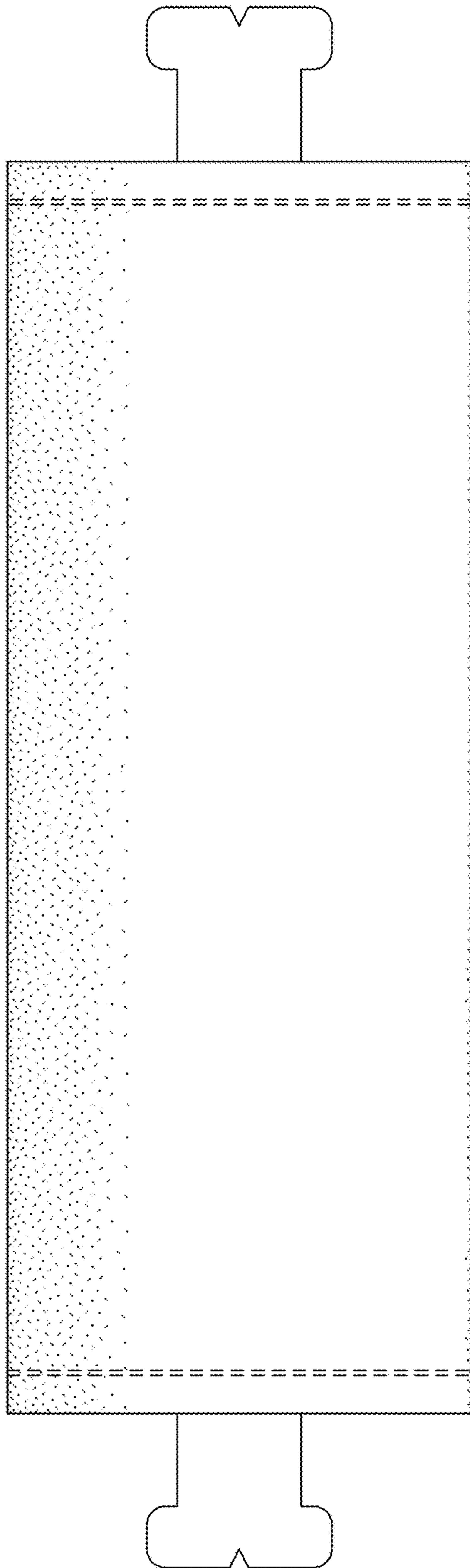


FIG. 5

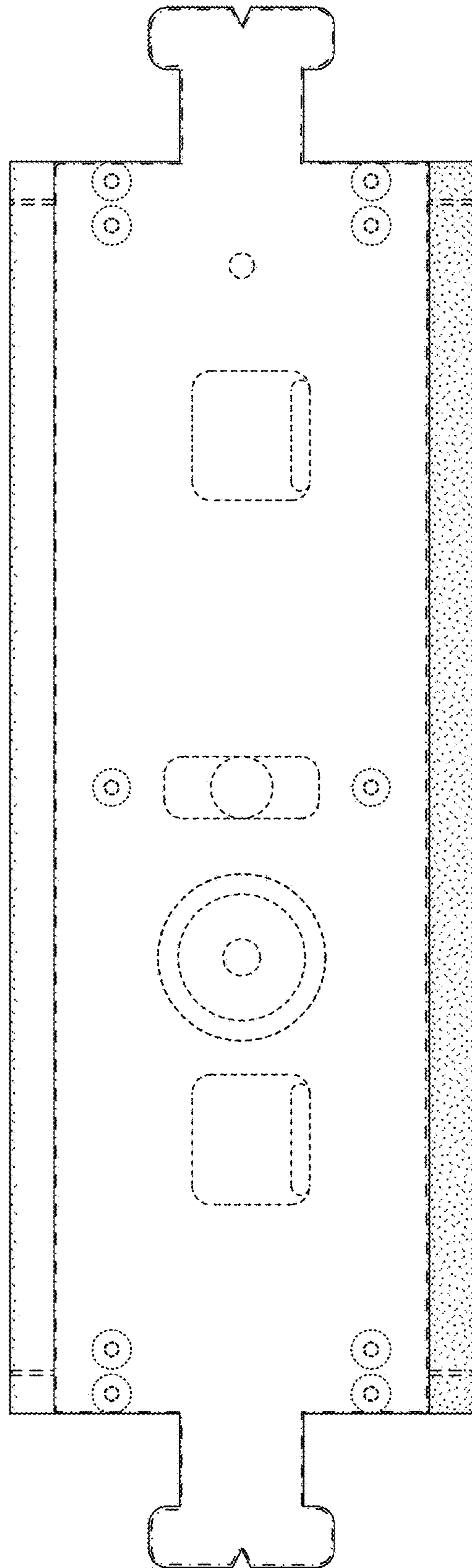


FIG. 6

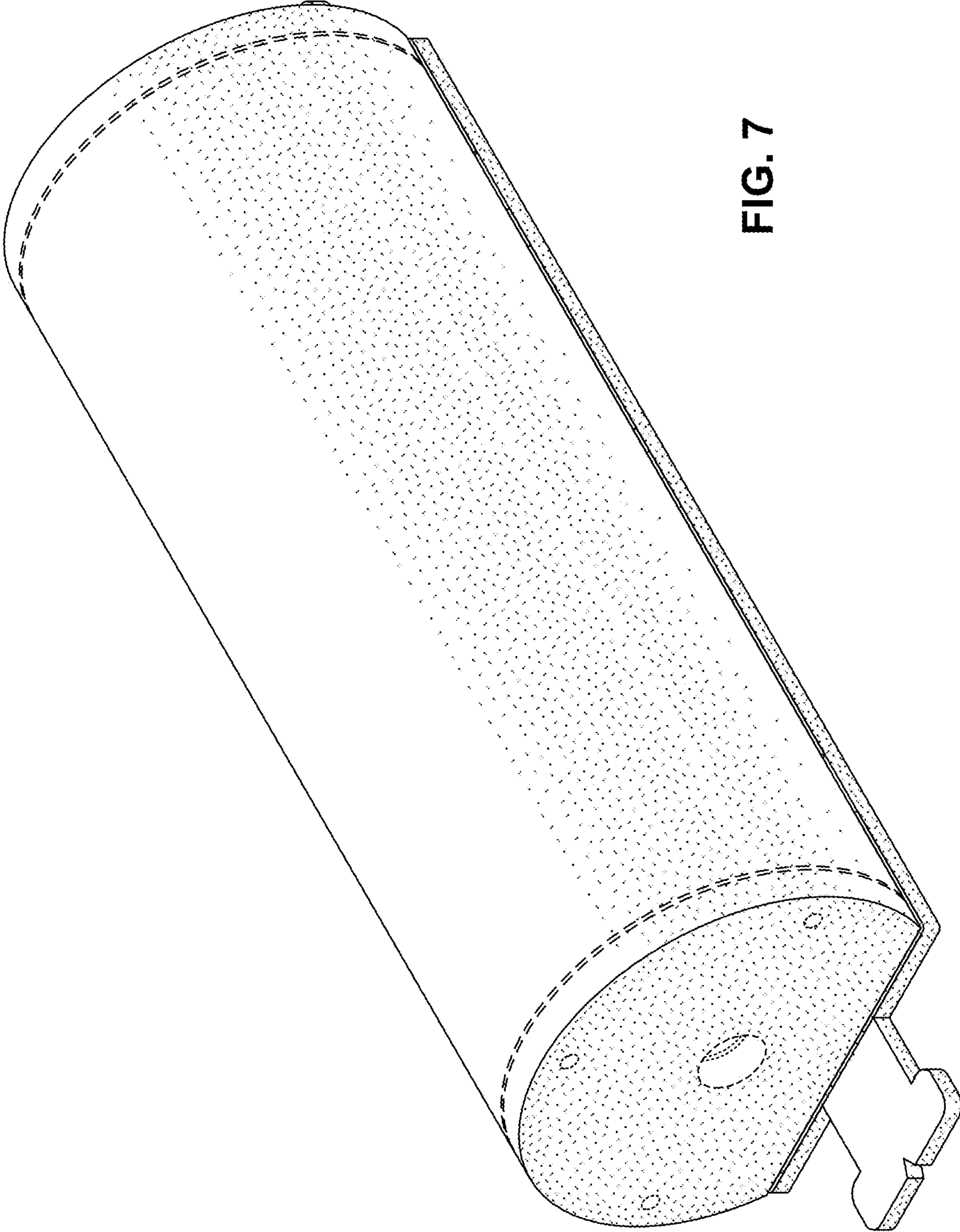


FIG. 7

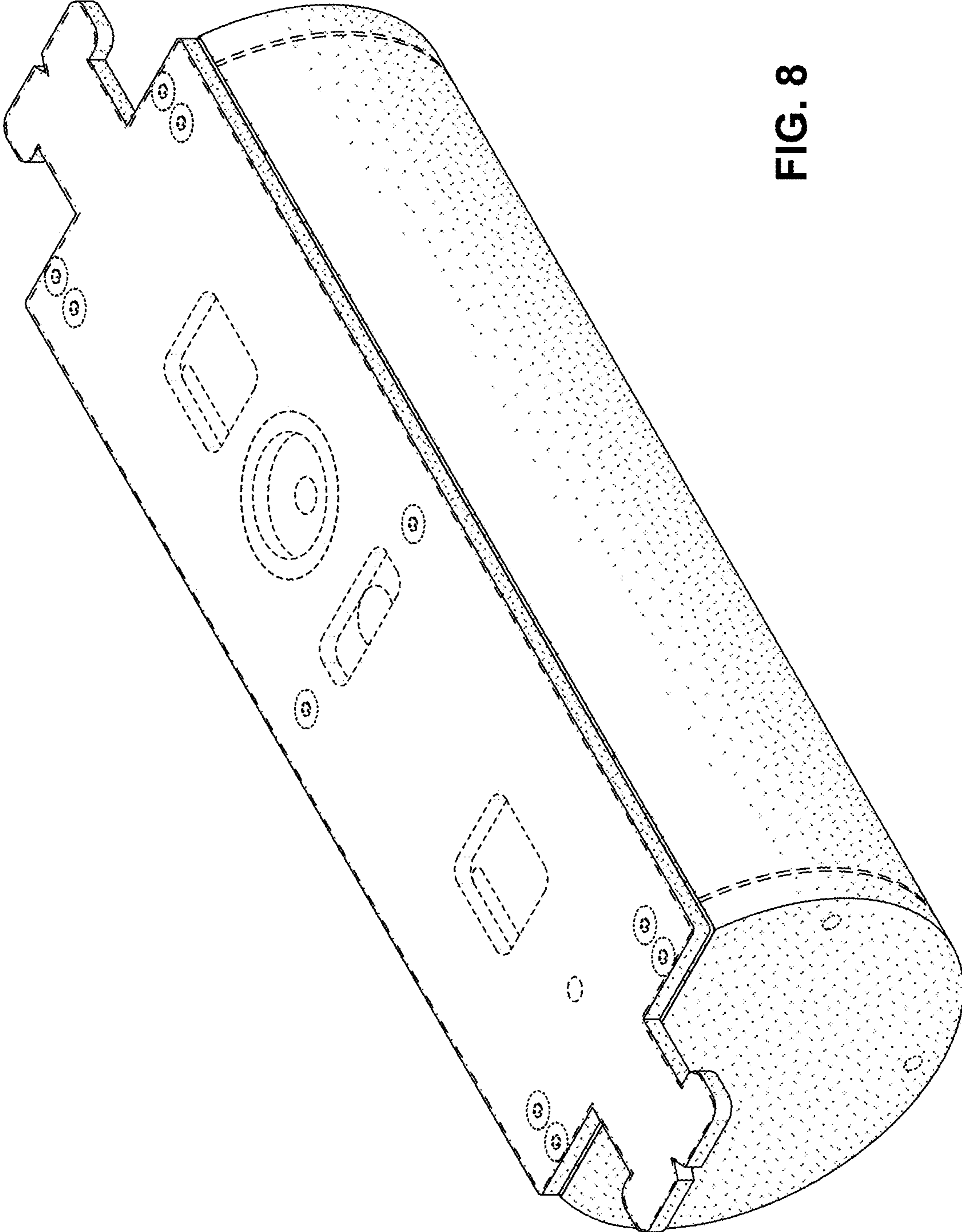


FIG. 8