



US00D901315S

(12) **United States Design Patent** (10) **Patent No.:** **US D901,315 S**  
**Mitsuo** (45) **Date of Patent:** **\*\* Nov. 10, 2020**

- (54) **SURVEYING INSTRUMENT**
- (71) Applicant: **Topcon Corporation**, Tokyo (JP)
- (72) Inventor: **Ishii Mitsuo**, Tokyo (JP)
- (\*\*) Term: **15 Years**
- (21) Appl. No.: **35/507,005**
- (22) Filed: **Dec. 25, 2018**
- (80) **Hague Agreement Data**  
 Int. Filing Date: **Dec. 25, 2018**  
 Int. Reg. No.: **DM/200513**  
 Int. Reg. Date: **Dec. 25, 2018**  
 Int. Reg. Pub. Date: **Jun. 28, 2019**
- (51) **LOC (12) Cl.** ..... **10-04**
- (52) **U.S. Cl.**  
 USPC ..... **D10/66**
- (58) **Field of Classification Search**  
 USPC ..... D10/65-74  
 CPC ... G01C 1/00; G01C 1/02; G01C 1/04; G01C  
 1/06; G01C 1/08; G01C 1/10; G01C  
 1/12; G01C 1/14  
 See application file for complete search history.
- (56) **References Cited**  
 U.S. PATENT DOCUMENTS
- |            |   |         |          |       |        |
|------------|---|---------|----------|-------|--------|
| D250,637 S | * | 12/1978 | Kooi     | ..... | D10/66 |
| D251,830 S | * | 5/1979  | Joslin   | ..... | D10/66 |
| D576,062 S | * | 9/2008  | Hayamizu | ..... | D10/66 |
| D723,953 S | * | 3/2015  | Ishii    | ..... | D10/66 |

- |            |   |         |       |       |        |
|------------|---|---------|-------|-------|--------|
| D768,516 S | * | 10/2016 | Aoki  | ..... | D10/66 |
| D781,730 S | * | 3/2017  | Ishii | ..... | D10/66 |
| D781,731 S | * | 3/2017  | Ishii | ..... | D10/66 |
| D835,532 S | * | 12/2018 | Ishii | ..... | D10/66 |
| D859,185 S | * | 9/2019  | Ishii | ..... | D10/66 |

\* cited by examiner

*Primary Examiner* — George D. Kirschbaum  
*Assistant Examiner* — Joseph J Kukella

(57) **CLAIM**

The ornamental design for a surveying instrument, as shown and described.

**DESCRIPTION**

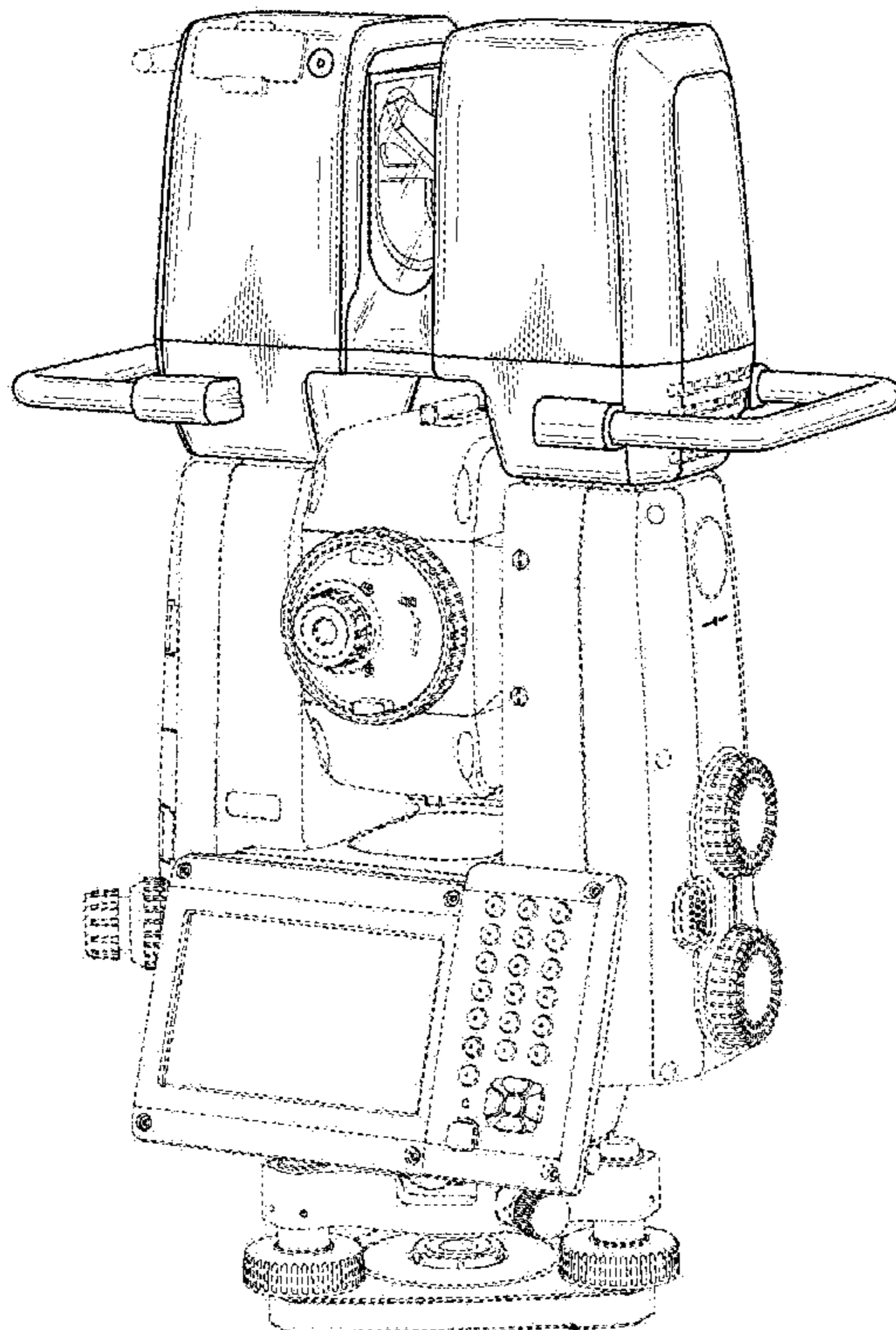
1. Surveying instrument  
**1.1** is a front, top, right perspective view;  
**1.2** is a back, top, left perspective view;  
**1.3** is a front side elevational view;  
**1.4** is a back side elevational view;  
**1.5** is a right side elevational view;  
**1.6** is a left side elevational view;  
**1.7** is a top plan view; and  
**1.8** is a bottom view.

In the drawings, the broken lines depict portions of the surveying instrument that form no part of the claimed design.

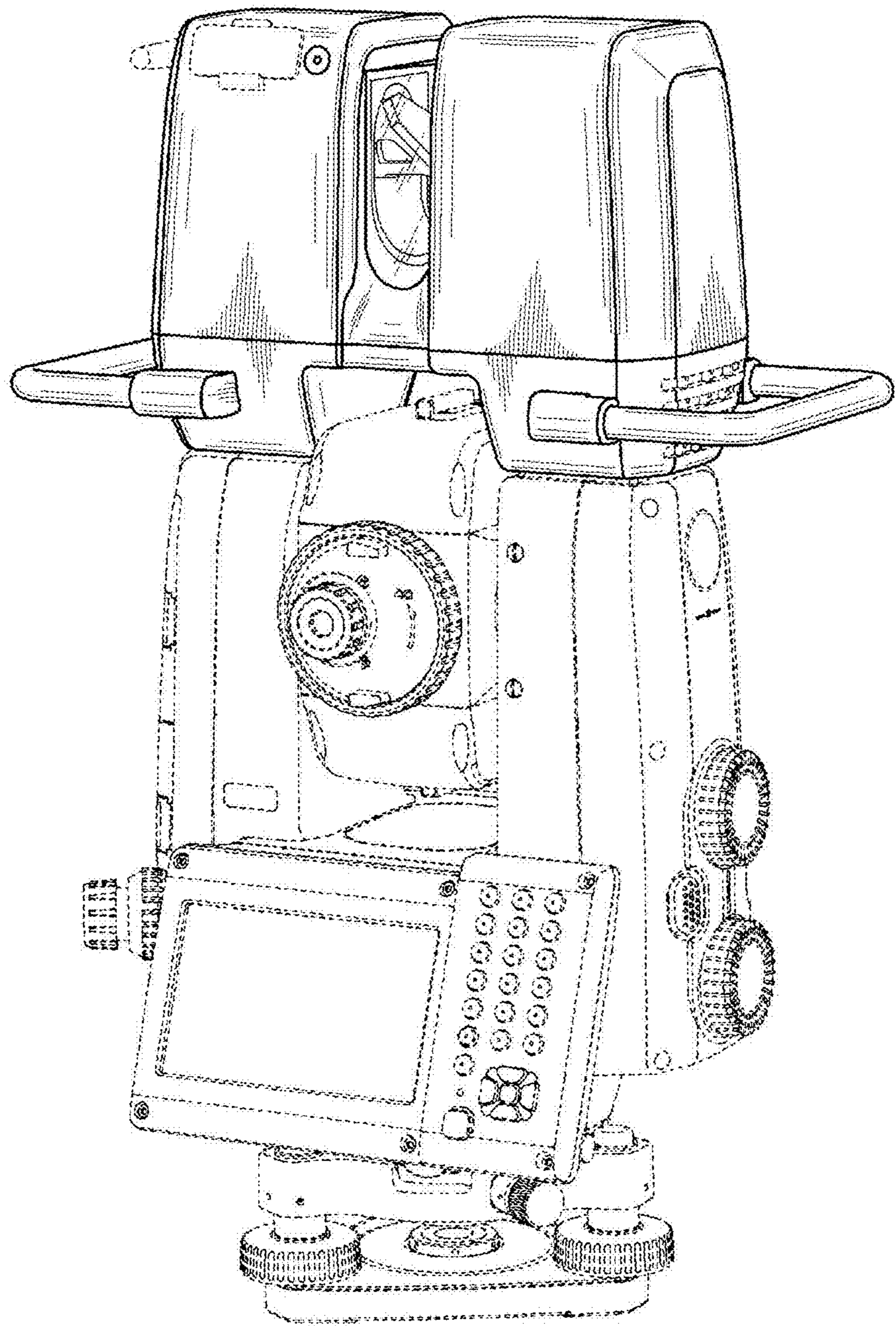
The shadings indicated by thin lines are intended only to represent the three-dimensional shape of the surfaces of the design and form no part of the claimed design.

The article is a surveying instrument used to measure distances, angles, shapes or the like by irradiating laser.

**1 Claim, 8 Drawing Sheets**

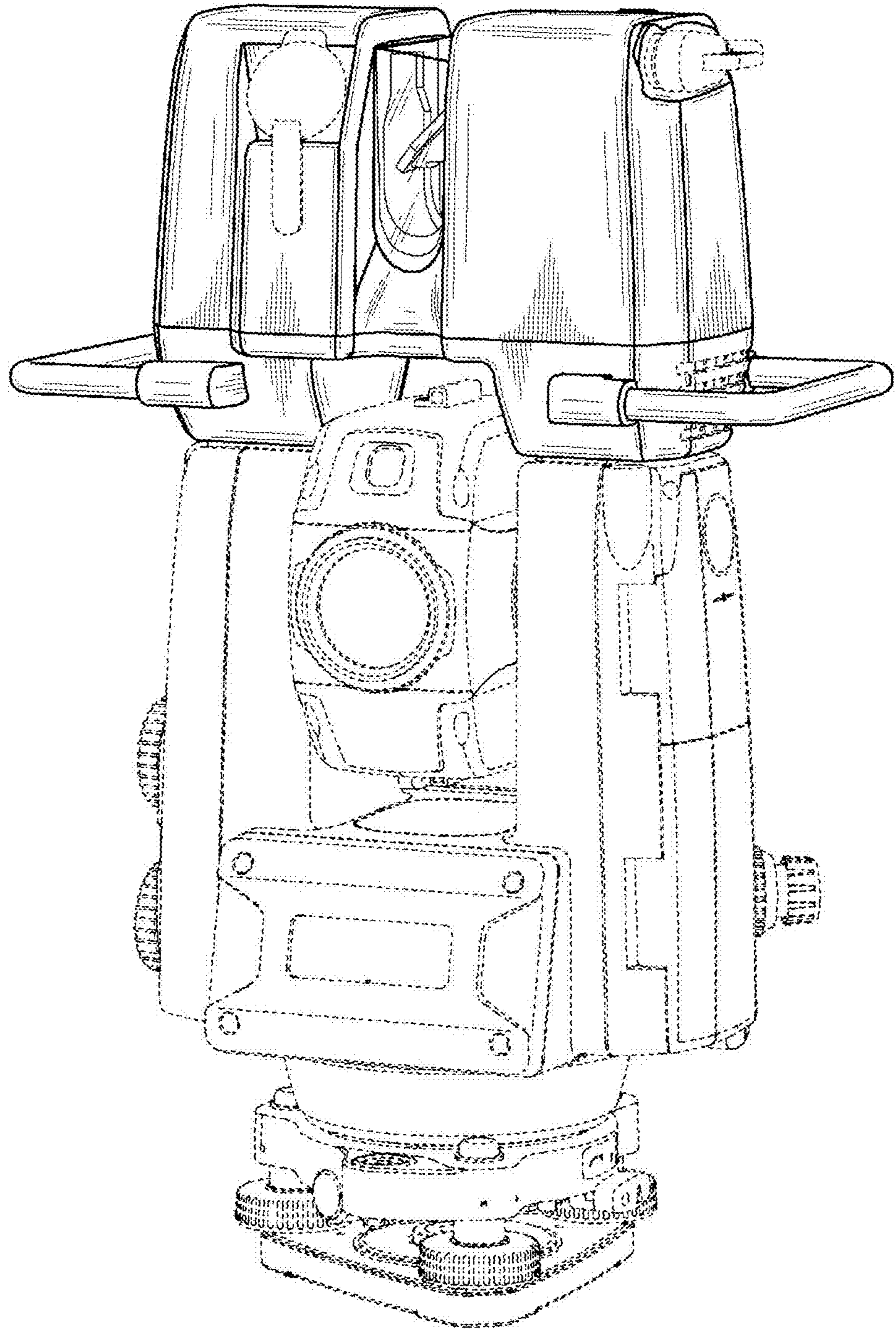


1.1

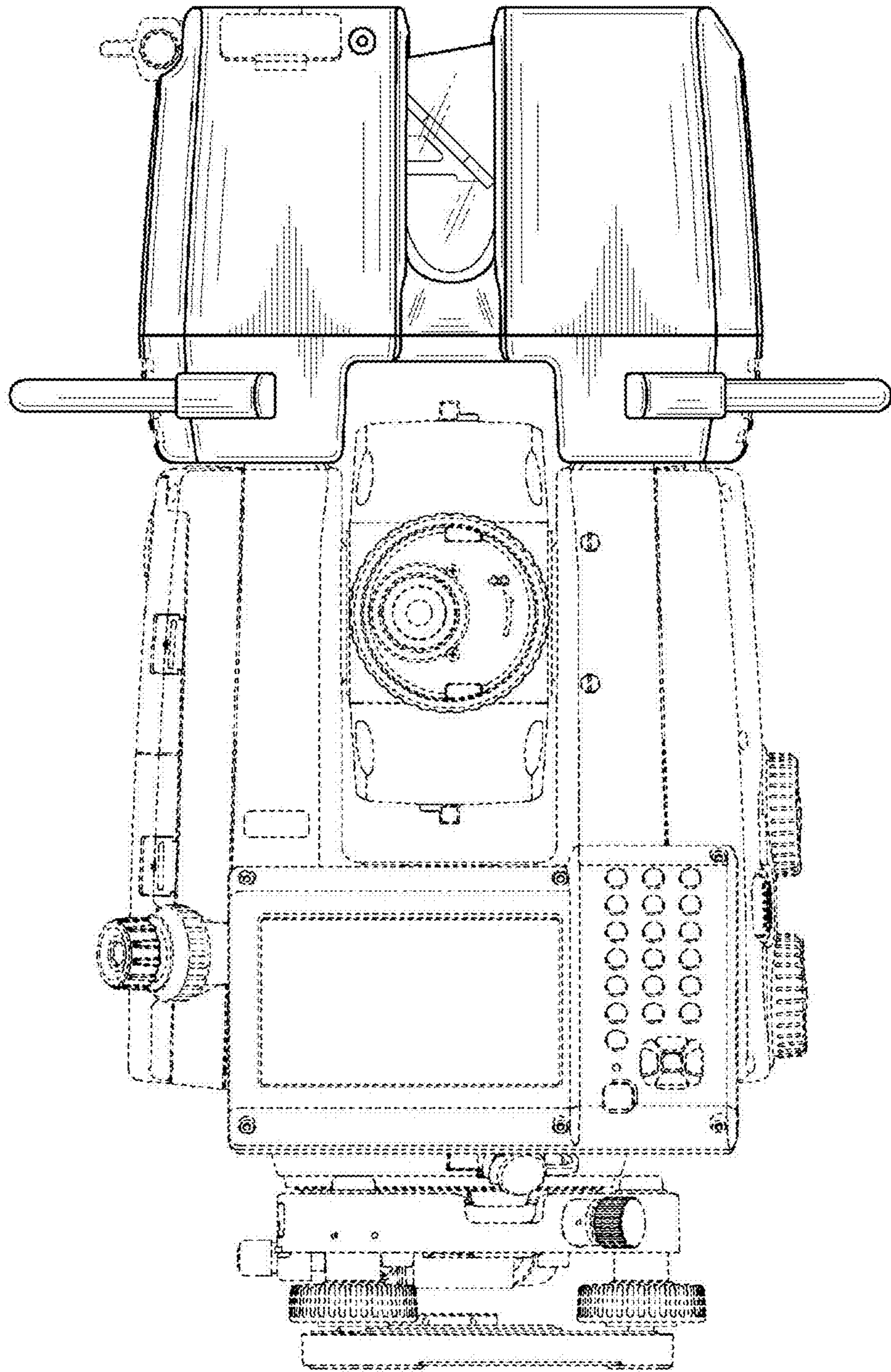




1.2

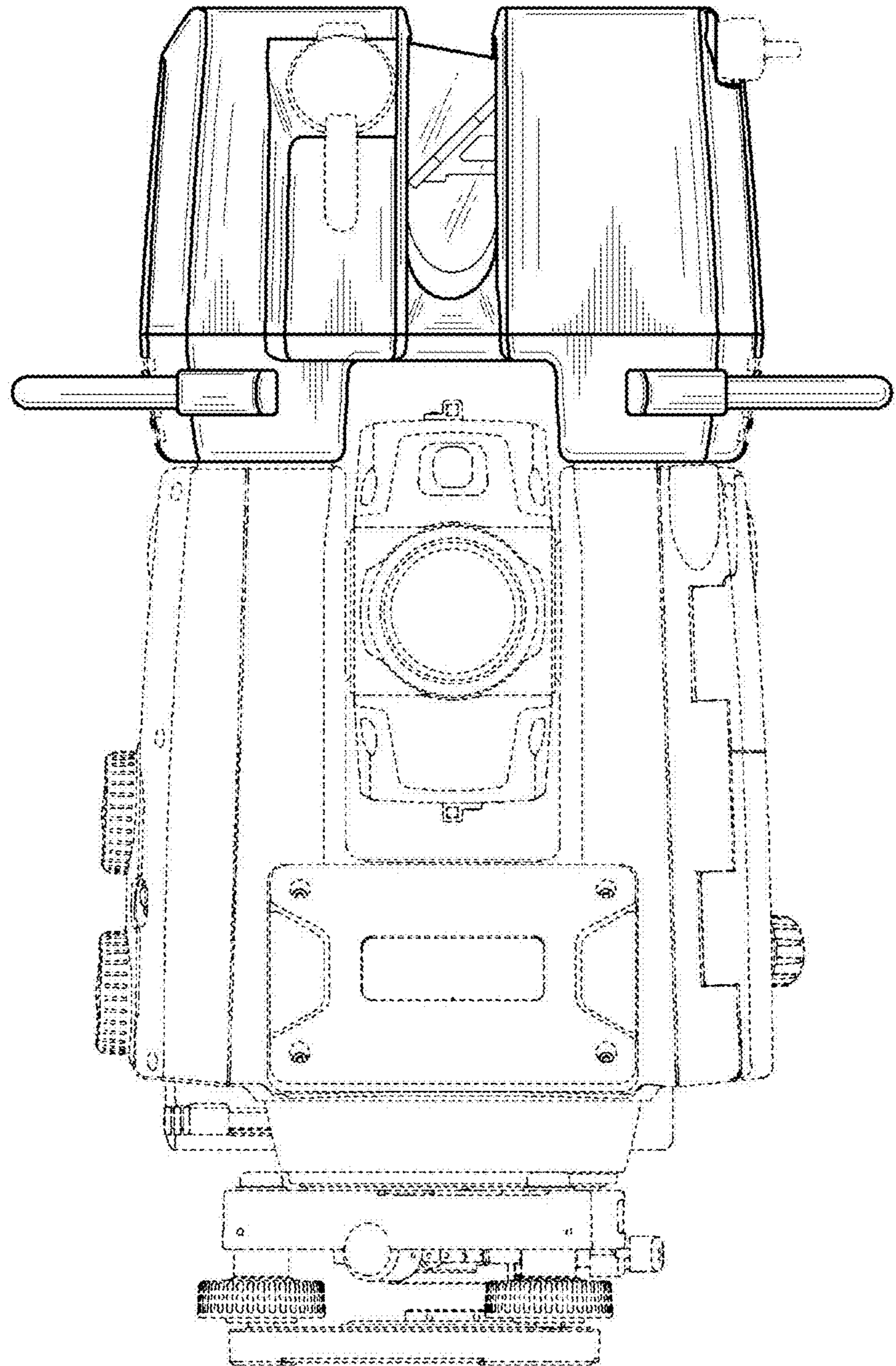


1.3

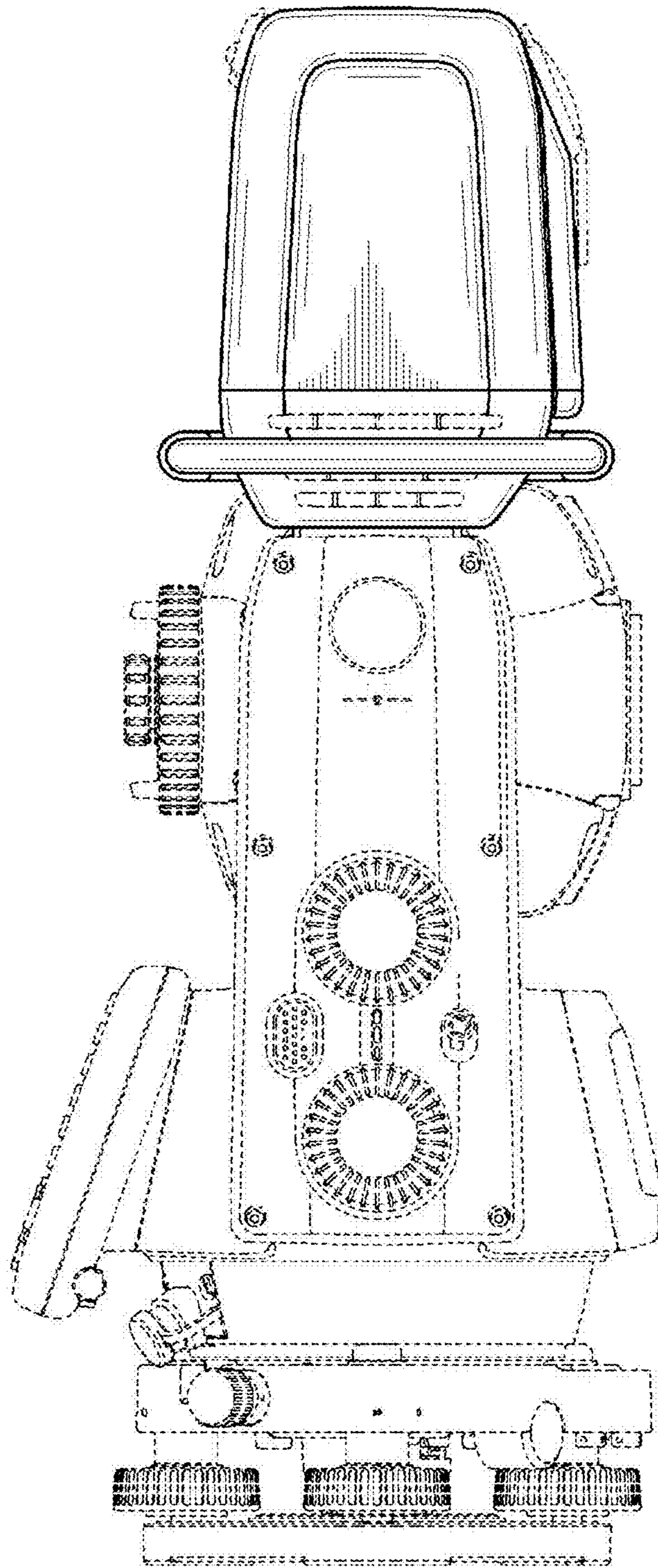




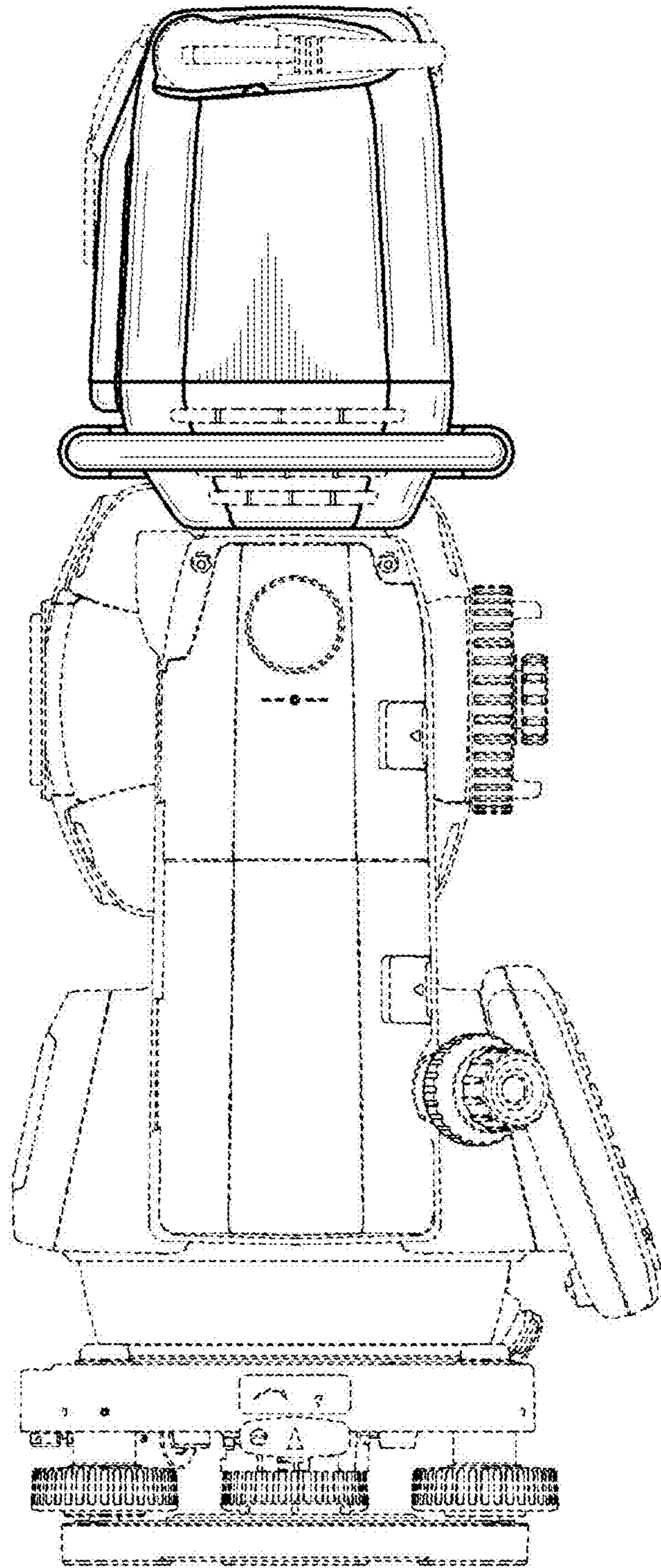
1.4



1.5

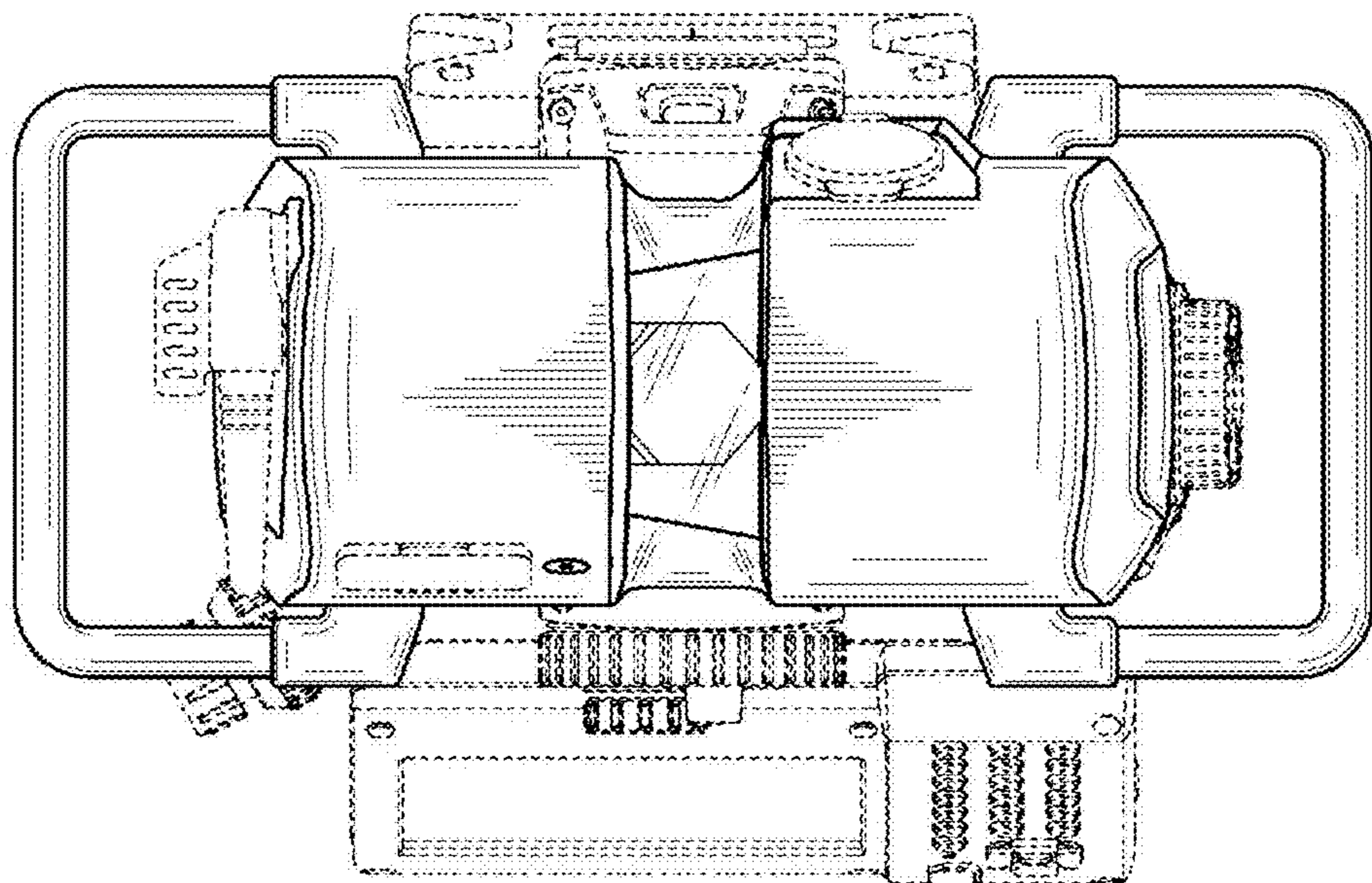


1.6





1.7





1.8

