



US00D901314S

(12) **United States Design Patent** (10) **Patent No.:** **US D901,314 S**
Atwood et al. (45) **Date of Patent:** **** Nov. 10, 2020**

(54) **WALL MOUNTABLE CONTROL PANEL**
(71) Applicant: **Ademco Inc.**, Golden Valley, MN (US)
(72) Inventors: **William Atwood**, Coon Rapids, MN (US); **Rinaldo Filinesi**, Bracknell (GB); **Travis Read**, Little Canada, MN (US); **Rajat Shail**, Chicago, IL (US); **Ryan Thorsen**, Minneapolis, MN (US)

D500,037 S * 12/2004 Ozolins D14/375
D566,661 S 4/2008 Ludwig et al.
D639,266 S * 6/2011 DeLorenzo D14/142
D648,641 S * 11/2011 Wallaert D10/50
D648,642 S * 11/2011 Wallaert D10/50
D673,467 S * 1/2013 Lee D10/50
D684,872 S * 6/2013 Bias D10/49
D687,388 S * 8/2013 Baumgartner D13/162
D690,661 S * 10/2013 Wisniewski D13/162
(Continued)

(73) Assignee: **Ademco Inc.**, Golden Valley, MN (US)
(**) Term: **15 Years**

(21) Appl. No.: **29/694,934**

(22) Filed: **Jun. 14, 2019**

(51) **LOC (12) Cl.** **10-04**

(52) **U.S. Cl.**
USPC **D10/50; D13/162**

(58) **Field of Classification Search**
USPC D13/162, 168; D6/300, 308; D10/49, D10/50, 104.1, 106.1, 106.95; D14/126, D14/129, 336, 337, 341, 371, 374, 375, D14/218

CPC .. G05B 19/0426; G05B 19/409; G05B 15/02; G06F 1/1601; G06F 3/041; G06F 3/044; G06F 3/0482; G06F 3/0488; G06F 3/0489; G05D 23/1902; G05D 23/1905; G05D 23/1931; H01H 9/02; H01H 9/0271; H01H 9/16; H01H 9/18; H01H 9/161; H01H 9/181; H01H 9/182; H01H 13/04; H01H 13/14; H01H 13/20; H01H 13/30; H01H 23/00; H01H 23/02; H01H 23/025; H05B 47/19; H05B 39/02; H05B 39/04; H05B 39/085; H05B 39/086; H05B 39/088; F24F 11/00; F24F 11/0012; F24F 11/0086; F24F 11/0009

See application file for complete search history.

(56) **References Cited**

U.S. PATENT DOCUMENTS

D436,926 S 1/2001 Lew
D497,364 S * 10/2004 Ozolins D14/374

OTHER PUBLICATIONS

Canadian Design Patent No. CA157683, information retrieved from WIPO Global Design Database.

(Continued)

Primary Examiner — Selina Sikder

(74) *Attorney, Agent, or Firm* — Fredrikson & Byron, P.A.

(57) **CLAIM**

An ornamental design for a wall mountable control panel, as shown and described.

DESCRIPTION

FIG. 1 is a perspective view of the wall mountable control panel.

FIG. 2 is a front elevation view thereof.

FIG. 3 is a right side elevation view thereof.

FIG. 4 is a left side elevation view thereof.

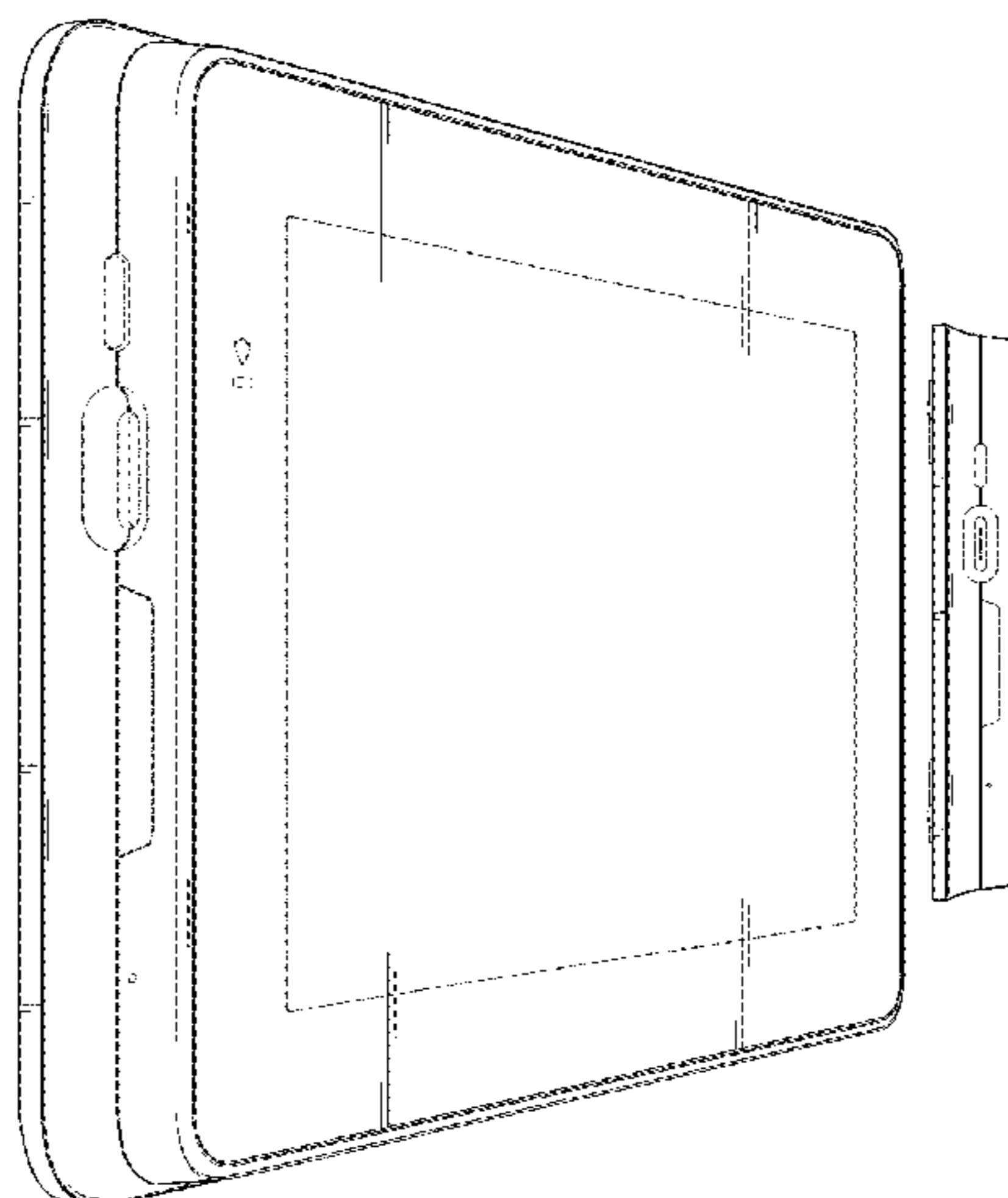
FIG. 5 is a top plan view thereof; and,

FIG. 6 is a bottom plan view thereof.

The rear elevation view of the wall mountable control panel is hereby disclaimed and forms no part of the claimed design.

The broken lines in the drawings depict portions of the wall mountable control panel in which the design is embodied that form no part of the claimed design.

1 Claim, 4 Drawing Sheets



(56)

References Cited

U.S. PATENT DOCUMENTS

D695,234 S 12/2013 Santiago et al.
 D705,201 S * 5/2014 Isaacs D14/240
 8,802,981 B2 * 8/2014 Wallaert H02G 3/123
 174/58
 D727,857 S 4/2015 Acera et al.
 D731,442 S 6/2015 Santiago et al.
 D733,591 S * 7/2015 Golden D10/50
 D734,179 S * 7/2015 Golden D10/50
 D737,697 S * 9/2015 Bhattacharya D10/50
 D738,229 S * 9/2015 Jiang D10/50
 D738,756 S * 9/2015 Jiang D10/50
 D741,269 S * 10/2015 Bhattacharya D13/162
 D742,335 S * 11/2015 Yamaguchi D13/168
 D744,433 S * 12/2015 Baumgartner D13/162
 D755,132 S * 5/2016 Kashimoto D13/168
 D763,203 S * 8/2016 Ikegaya D13/168
 D769,231 S * 10/2016 Kwak D14/242
 D778,245 S * 2/2017 Feldstein D13/162
 D783,545 S * 4/2017 Feldstein D13/164
 D792,789 S * 7/2017 Read D10/50

D802,450 S * 11/2017 Boynton D10/50
 D803,705 S * 11/2017 Read D10/50
 D844,570 S * 4/2019 Kornacki D13/162
 10,253,994 B2 * 4/2019 Tucker F24F 11/30
 D875,568 S * 2/2020 Read D10/50
 2005/0162583 A1 * 7/2005 Ozolins G02F 1/1333
 349/58
 2010/0106305 A1 * 4/2010 Pavlak F24F 11/30
 700/276
 2014/0043256 A1 * 2/2014 Wu H01H 9/02
 345/173
 2015/0062087 A1 * 3/2015 Cho G06F 3/017
 345/175
 2017/0237210 A1 * 8/2017 Read H01R 9/2491
 236/1 C

OTHER PUBLICATIONS

Record of Canadian Industrial Design Reg. No. 157683 (registered Jun. 22, 2015) taken from Canadian Intellectual Property Office Industrial Design Database.

* cited by examiner

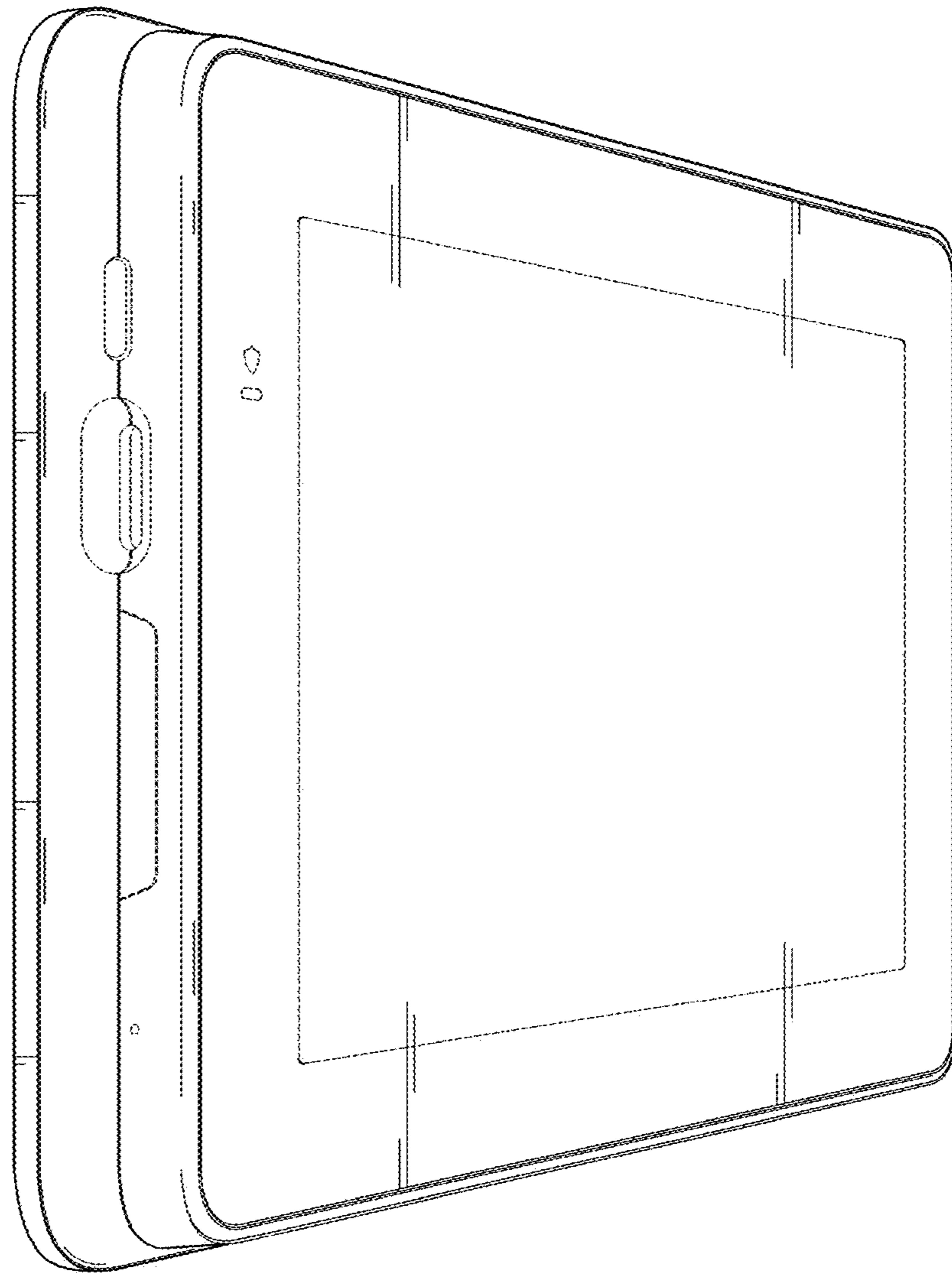


FIG. 1

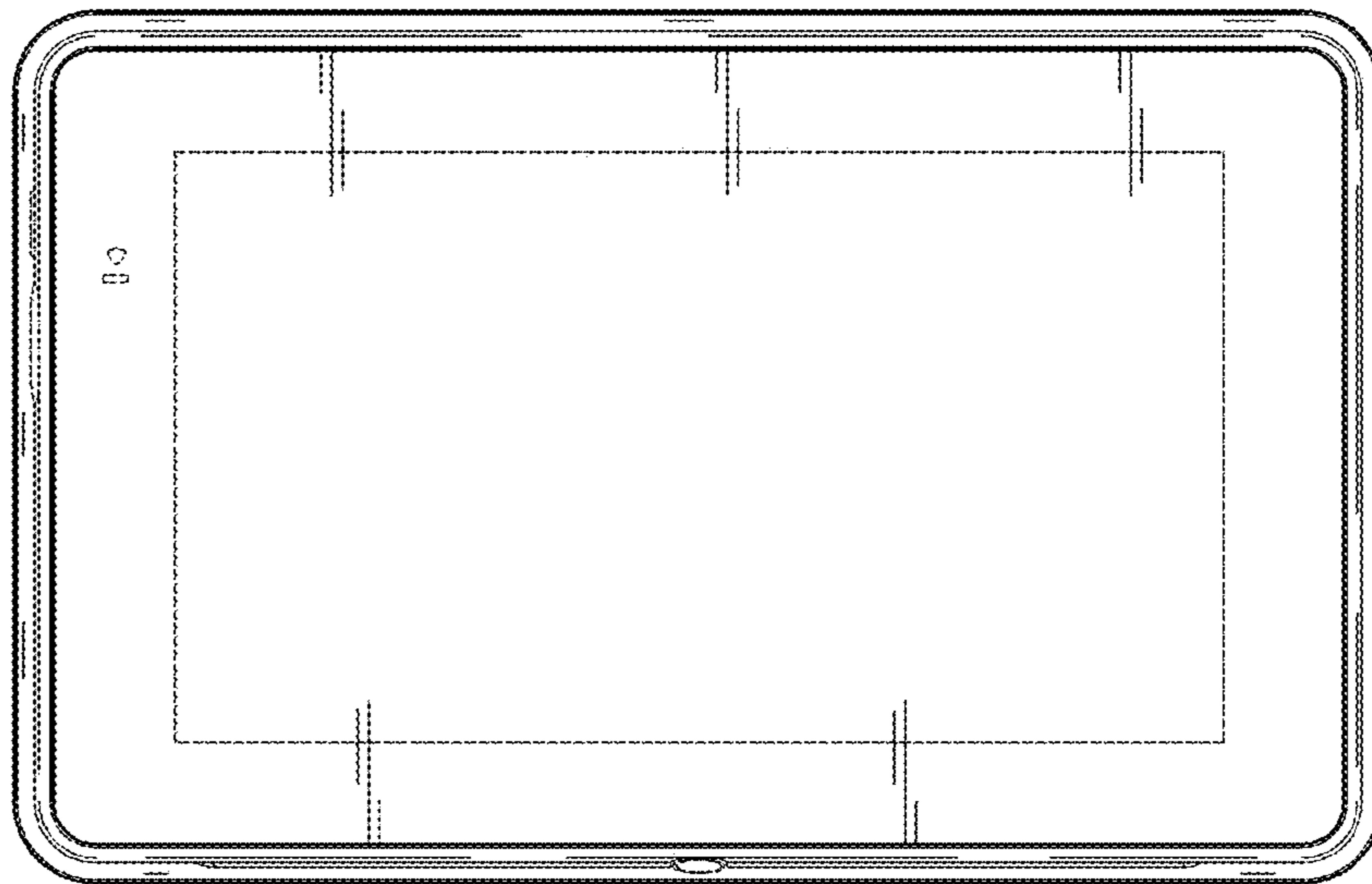


FIG. 2



FIG. 3



FIG. 4

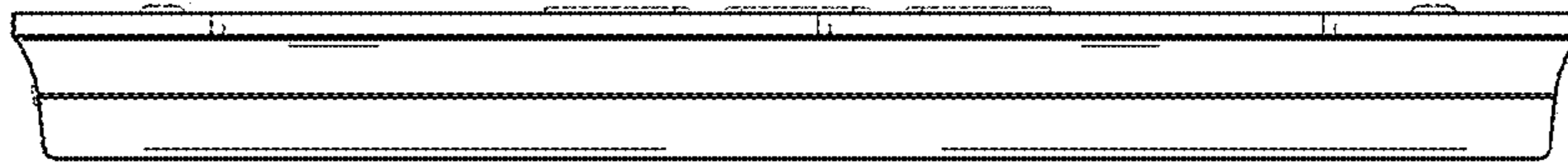


FIG. 5

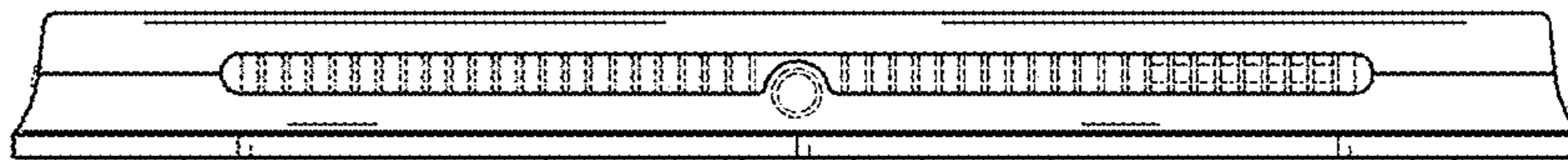


FIG. 6