



US00D901312S

(12) **United States Design Patent** (10) **Patent No.:** **US D901,312 S**  
**Fowler et al.** (45) **Date of Patent:** **\*\* Nov. 10, 2020**

(54) **PACKAGING FOR ORAL CARE DEVICE**

(71) Applicant: **Sage Products, LLC**, Cary, IL (US)

(72) Inventors: **Paul M. Fowler**, Rockford, IL (US);  
**Ronald C. Cagle**, Crystal Lake, IL  
(US); **Theresa L. Sebastian**, Cary, IL  
(US)

(73) Assignee: **Sage Products, LLC**, Cary, IL (US)

(\*\*) Term: **15 Years**

(21) Appl. No.: **29/672,671**

(22) Filed: **Dec. 7, 2018**

(51) **LOC (12) Cl.** ..... **09-03**

(52) **U.S. Cl.**

USPC ..... **D9/737**

(58) **Field of Classification Search**

USPC ..... D9/414–423, 430–433, 434, 456, 457,  
D9/600, 652, 711, 713, 721–722, 737,  
D9/756, 758, 759, 760; D20/10, 22, 27,  
D20/40, 42

CPC ... B65D 5/00; B65D 5/02; B65D 5/18; B65D  
5/20

See application file for complete search history.

(56) **References Cited**

**U.S. PATENT DOCUMENTS**

1,723,944 A \* 8/1929 Marsh ..... A47F 5/112  
248/174

2,084,540 A 6/1937 Smith  
3,002,722 A \* 10/1961 Cote ..... B65D 71/007  
248/174

D294,805 S \* 3/1988 Boyer ..... D9/415  
(Continued)

**FOREIGN PATENT DOCUMENTS**

JP 08-052210 A 2/1996

**OTHER PUBLICATIONS**

Sage Self Oral Care Toothbrush. [online] Published on Nov. 30, 2019. Retrieved Jan. 3, 2020 from URL: <https://www.stryker.com/us/en/sage/products/sage-self-oral-care.html>.\*

(Continued)

*Primary Examiner* — Vy N Koenig

(74) *Attorney, Agent, or Firm* — Foley & Lardner LLP

(57) **CLAIM**

We claim the ornamental design for packaging for oral care device, as shown and described.

**DESCRIPTION**

FIG. 1 is a front, left perspective view of a packaging for oral care device according to the present design, showing environmental structure;

FIG. 2 is a front, left perspective view of the claimed design of FIG. 1 with environmental structure removed;

FIG. 3 is a front view thereof;

FIG. 4 is a rear view thereof;

FIG. 5 is a left view thereof;

FIG. 6 is a right view thereof;

FIG. 7 is a top view thereof;

FIG. 8 is a bottom view thereof;

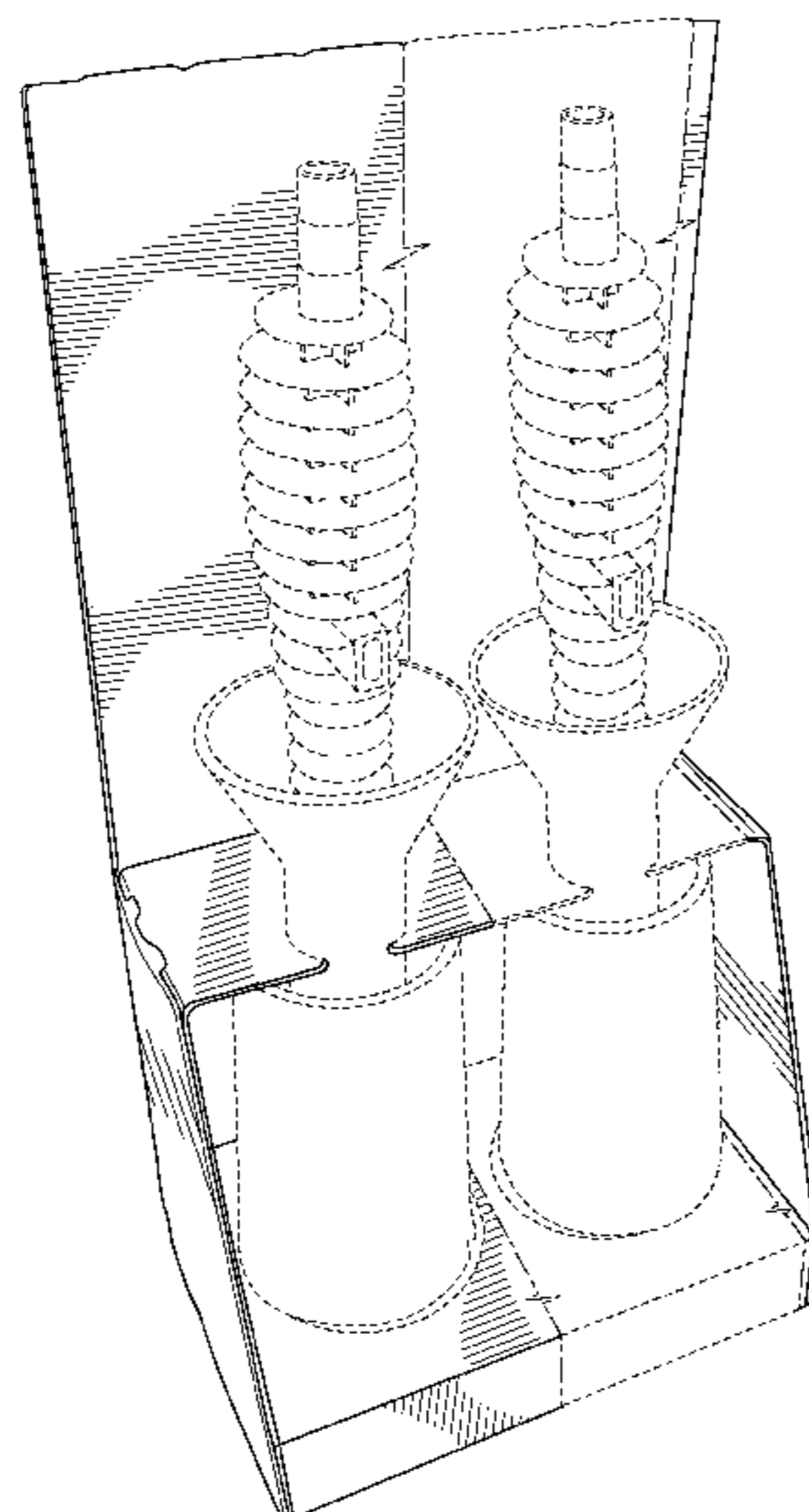
FIG. 9 is a front, left perspective view of the claimed design of FIG. 1 showing environmental structure;

FIG. 10 is a front, left perspective view of the claimed design of FIG. 1 showing environmental structure; and,

FIG. 11 is a front view of the claimed design of FIG. 1 showing environmental structure.

The equal length broken lines depict environmental subject matter and form no part of the claimed design. The unequal length dashed (i.e., dash-dot) lines with symbolic breaks define boundaries between claimed and unclaimed portions of the design and form no part of the claimed design. It is understood that any portion of the packaging between the symbolic boundary lines forms no part of the claimed design.

**1 Claim, 9 Drawing Sheets**



(56)

**References Cited**

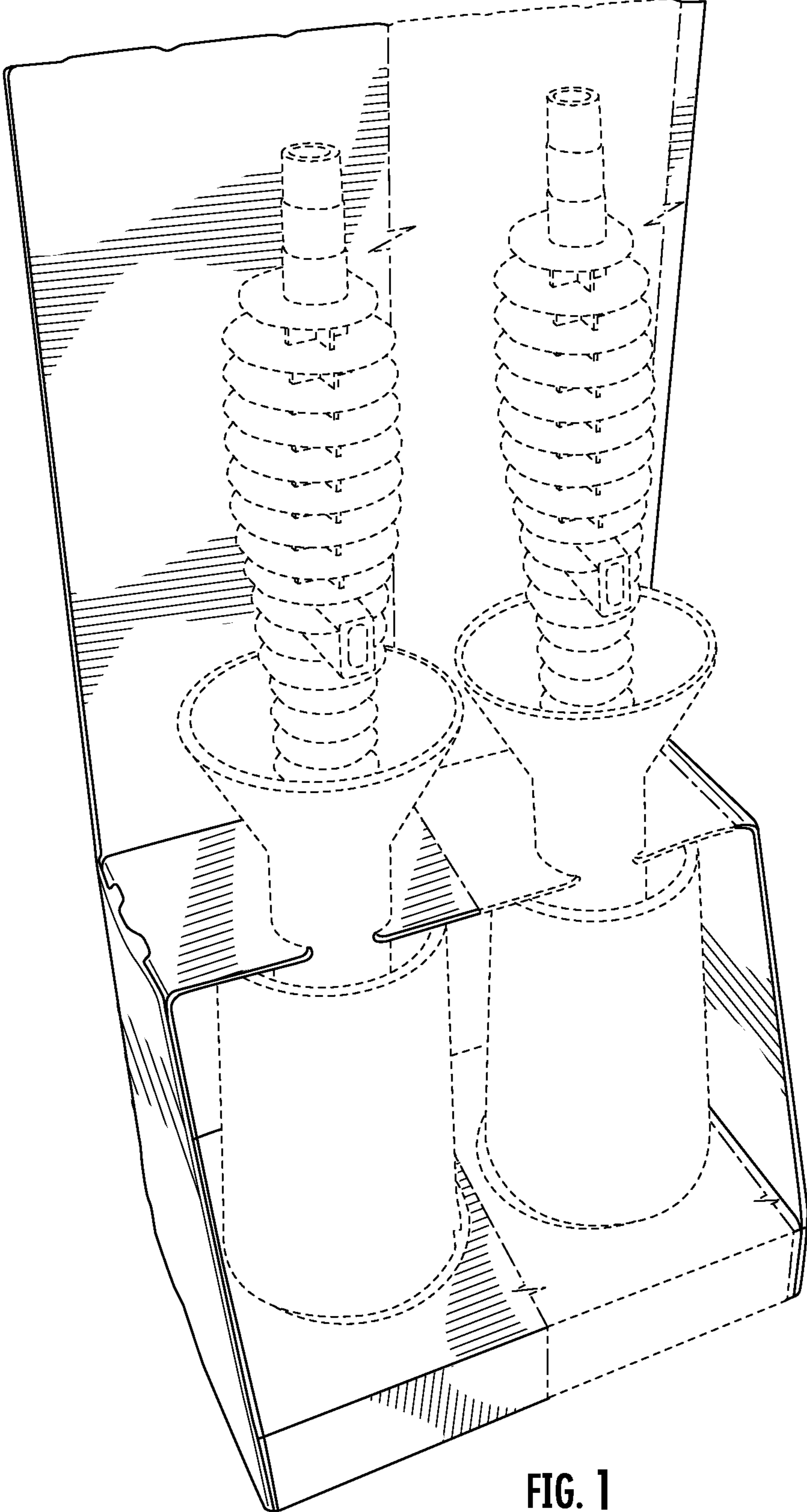
## U.S. PATENT DOCUMENTS

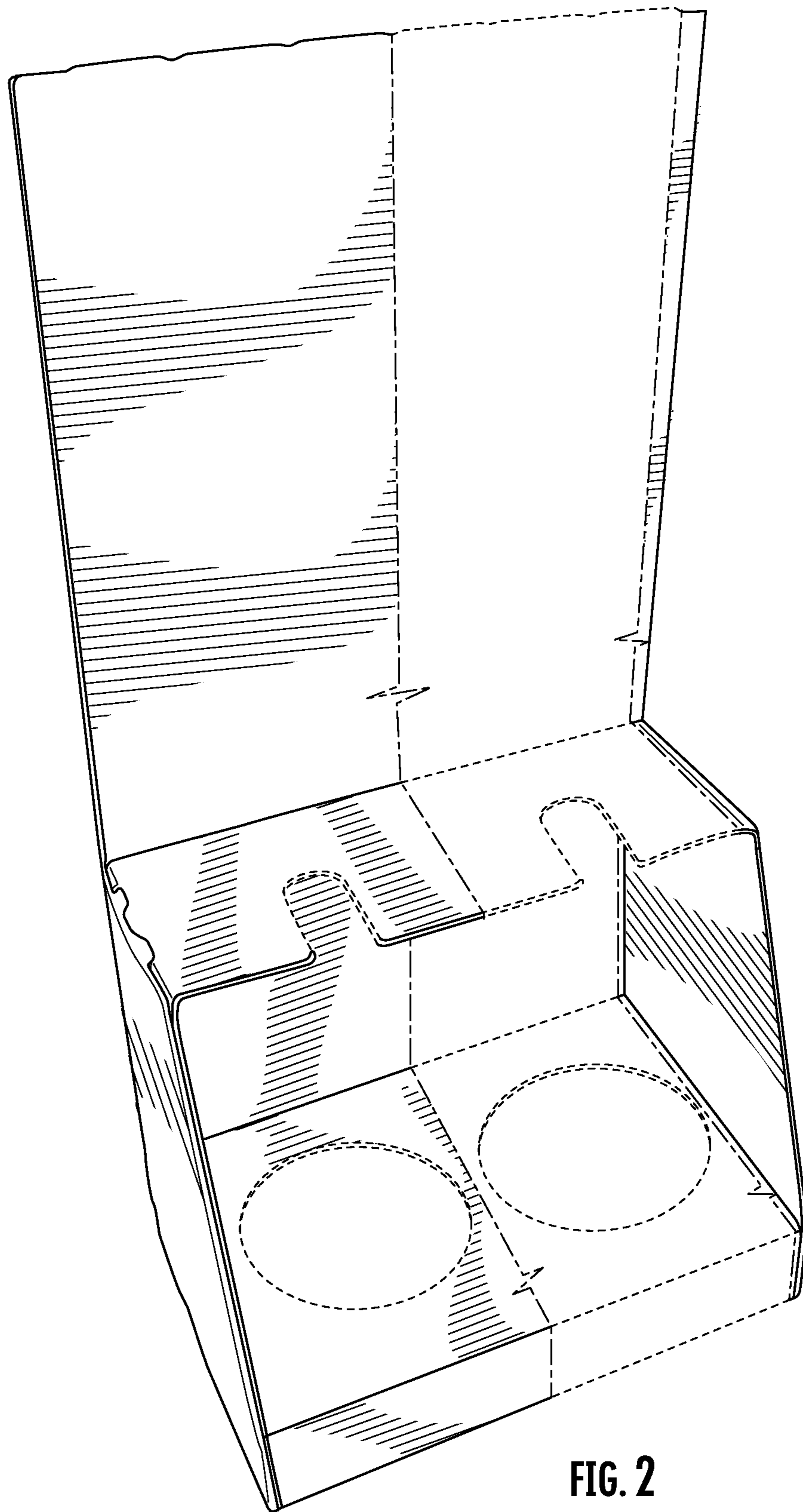
5,445,631	A	8/1995	Uchida	
6,311,837	B1	11/2001	Blaustein et al.	
D512,908	S *	12/2005	Proudfit .....	D9/415
D513,382	S *	1/2006	Proudfit .....	D9/415
D520,356	S *	5/2006	Kellar .....	D9/415
D597,829	S *	8/2009	Ma .....	D9/415
D630,528	S *	1/2011	Dombrowski .....	D9/415
8,091,702	B1 *	1/2012	Keip .....	A47G 23/0208
				206/171
D666,903	S *	9/2012	McIntosh .....	D9/418
D681,444	S *	5/2013	Oja .....	D9/418
D691,884	S *	10/2013	Kwon .....	D9/415
8,734,420	B2	5/2014	Ariagno et al.	
D715,641	S *	10/2014	Spinis .....	D9/432
D767,393	S *	9/2016	Giorgis .....	D9/433
D803,678	S *	11/2017	Chen .....	D9/430
D803,679	S *	11/2017	Chen .....	D9/430
9,833,605	B2	12/2017	Sanders et al.	
10,058,649	B2	8/2018	Le Maner	
D829,544	S *	10/2018	Kocon .....	B65D 5/12
				D9/418
2018/0071506	A1	3/2018	Sanders et al.	
2018/0161491	A1	6/2018	Sanders et al.	
2018/0161492	A1	6/2018	Sanders et al.	

## OTHER PUBLICATIONS

Pharmacy Counter Space Cardboard Display Box For Medicine Drugs. [online] Published on Sep. 22, 2018. Retrieved Jan. 3, 2020 from URL: <http://www.cardboardpalletdisplay.com/sale-6122822-pharmacy-counter-space-cardboard-display-box-for-medicine-drugs.html>.\*

\* cited by examiner





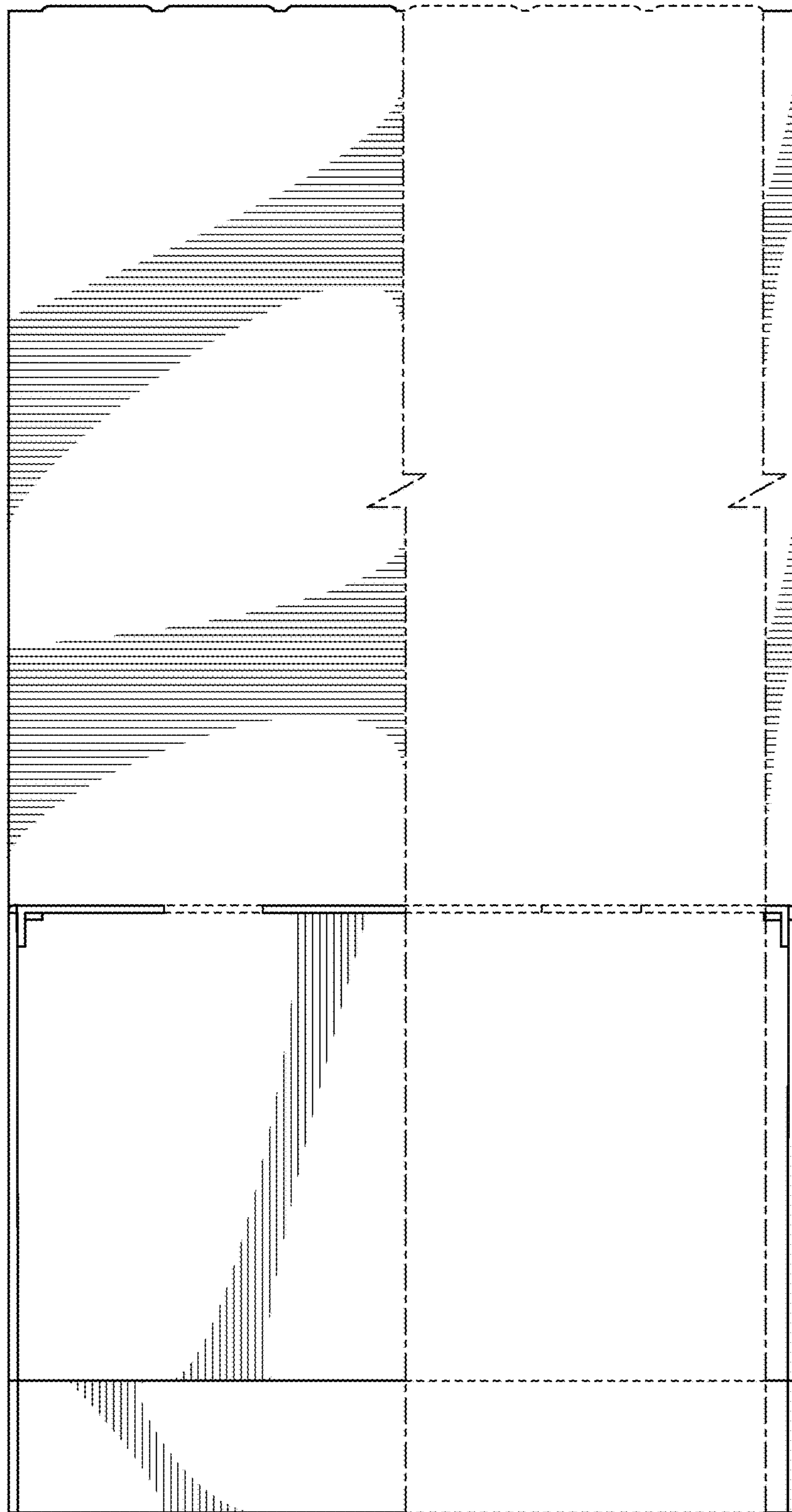


FIG. 3

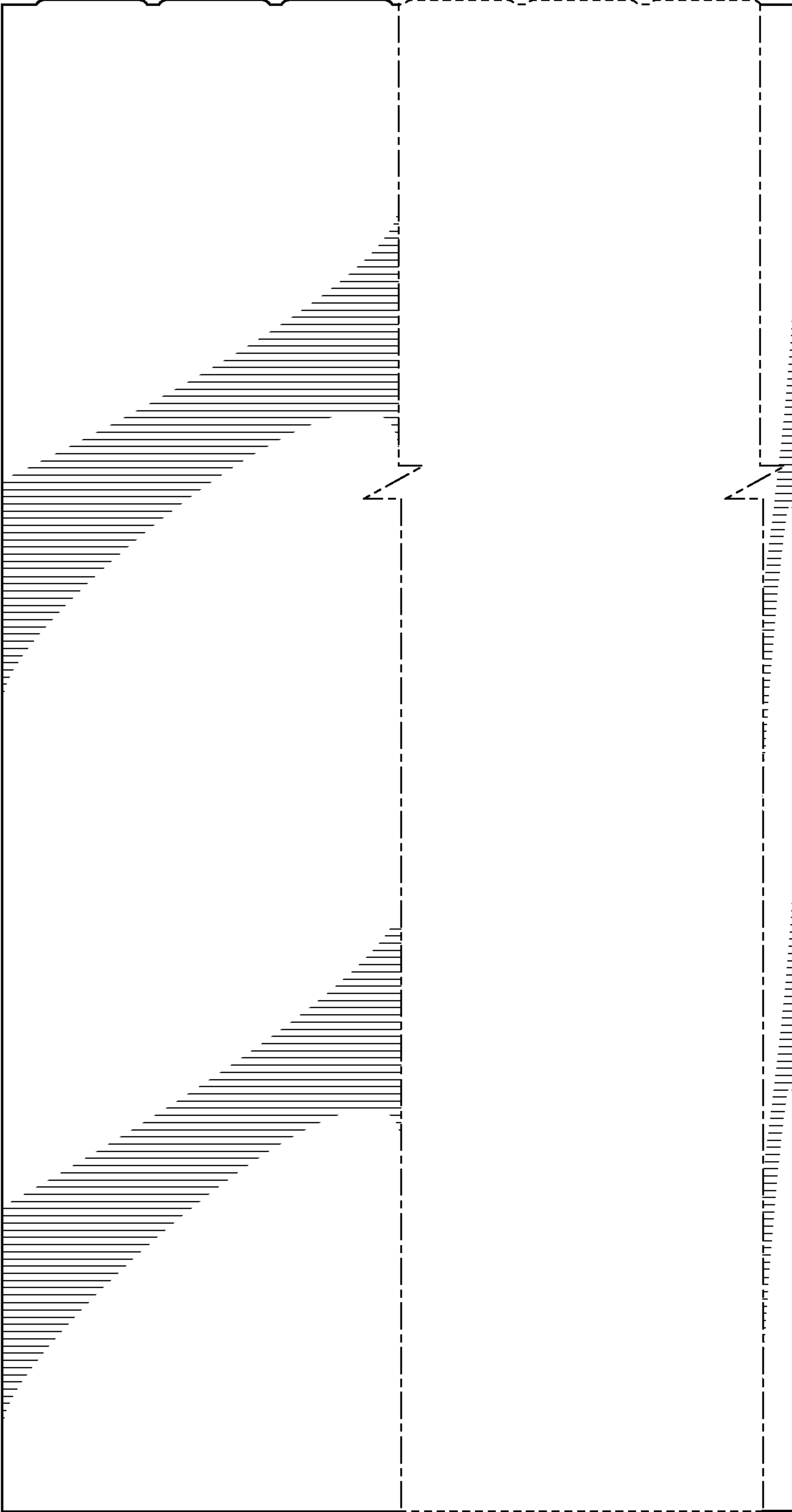


FIG. 4

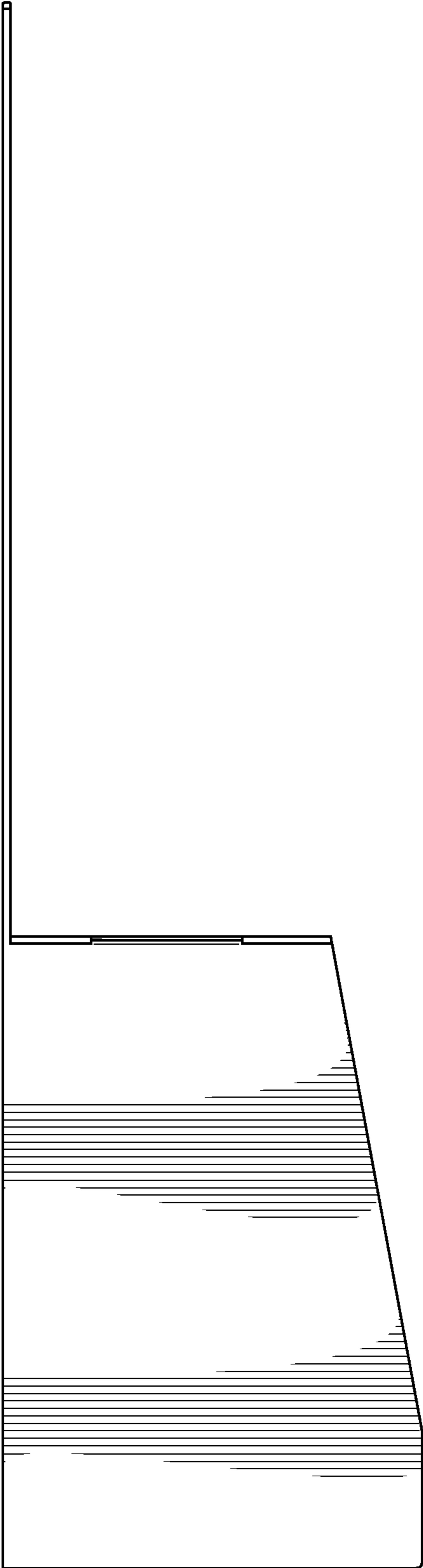


FIG. 5

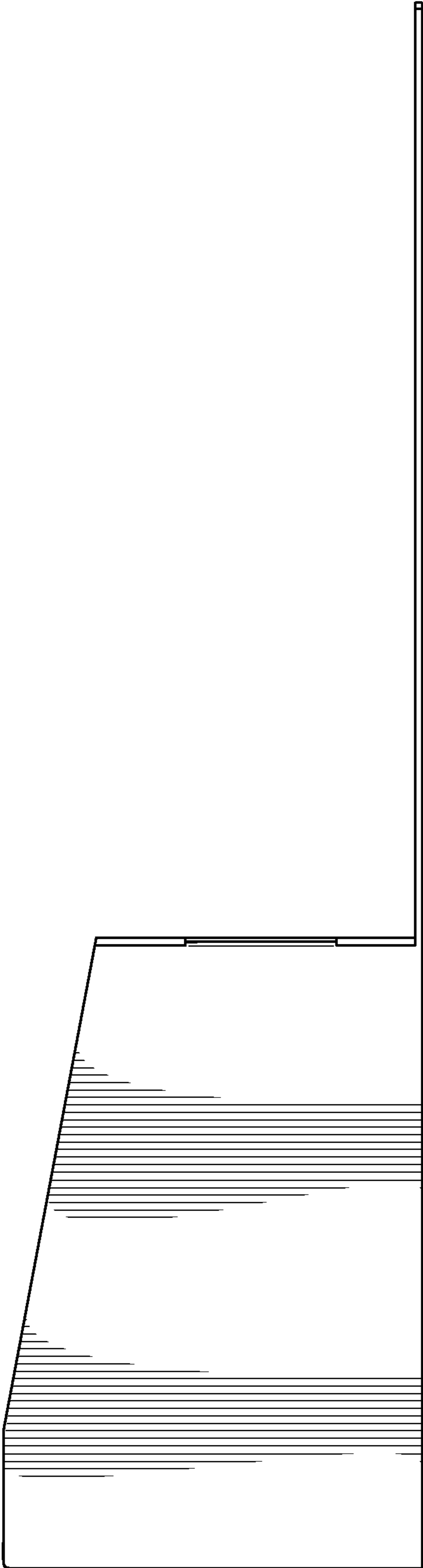


FIG. 6

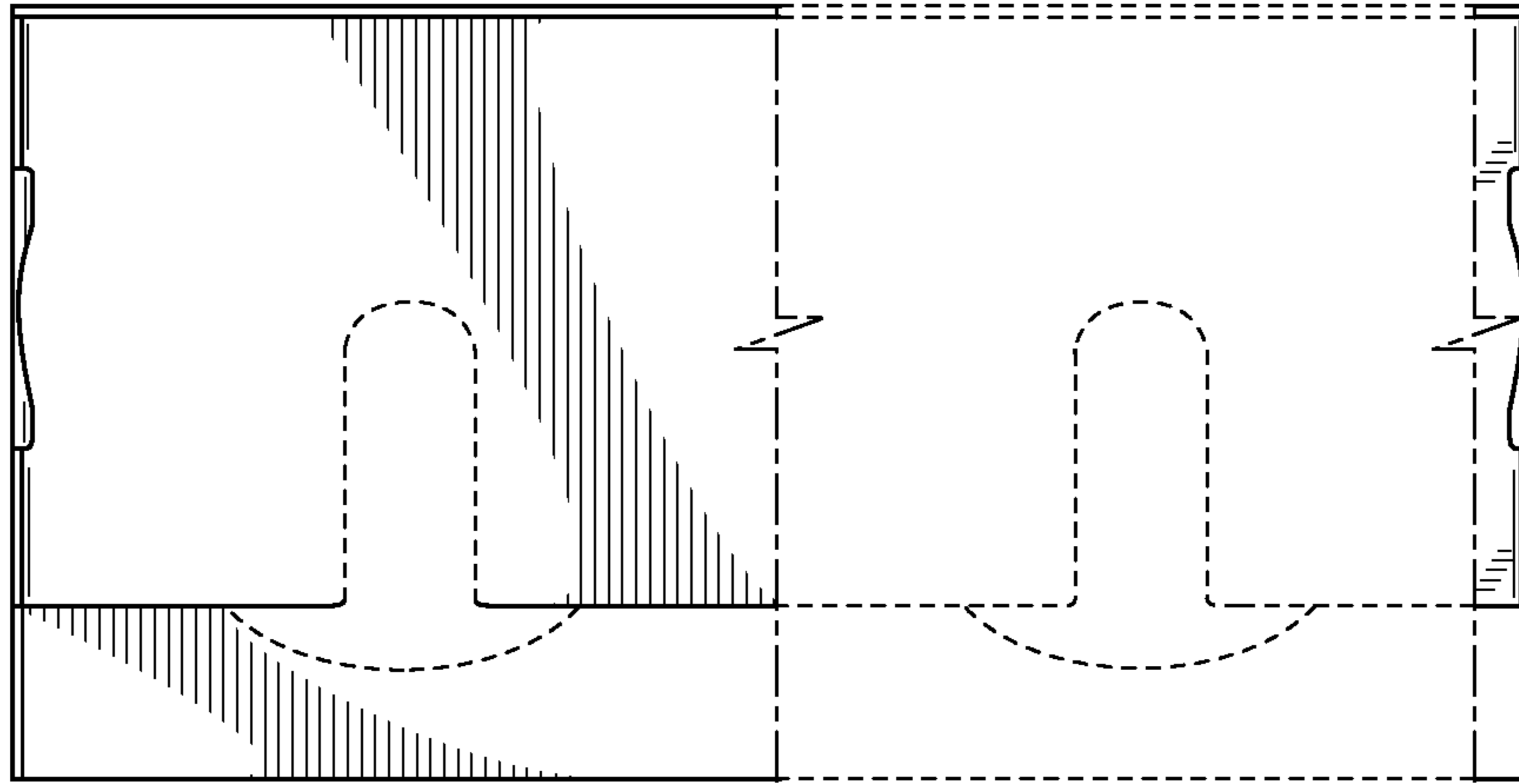


FIG. 7

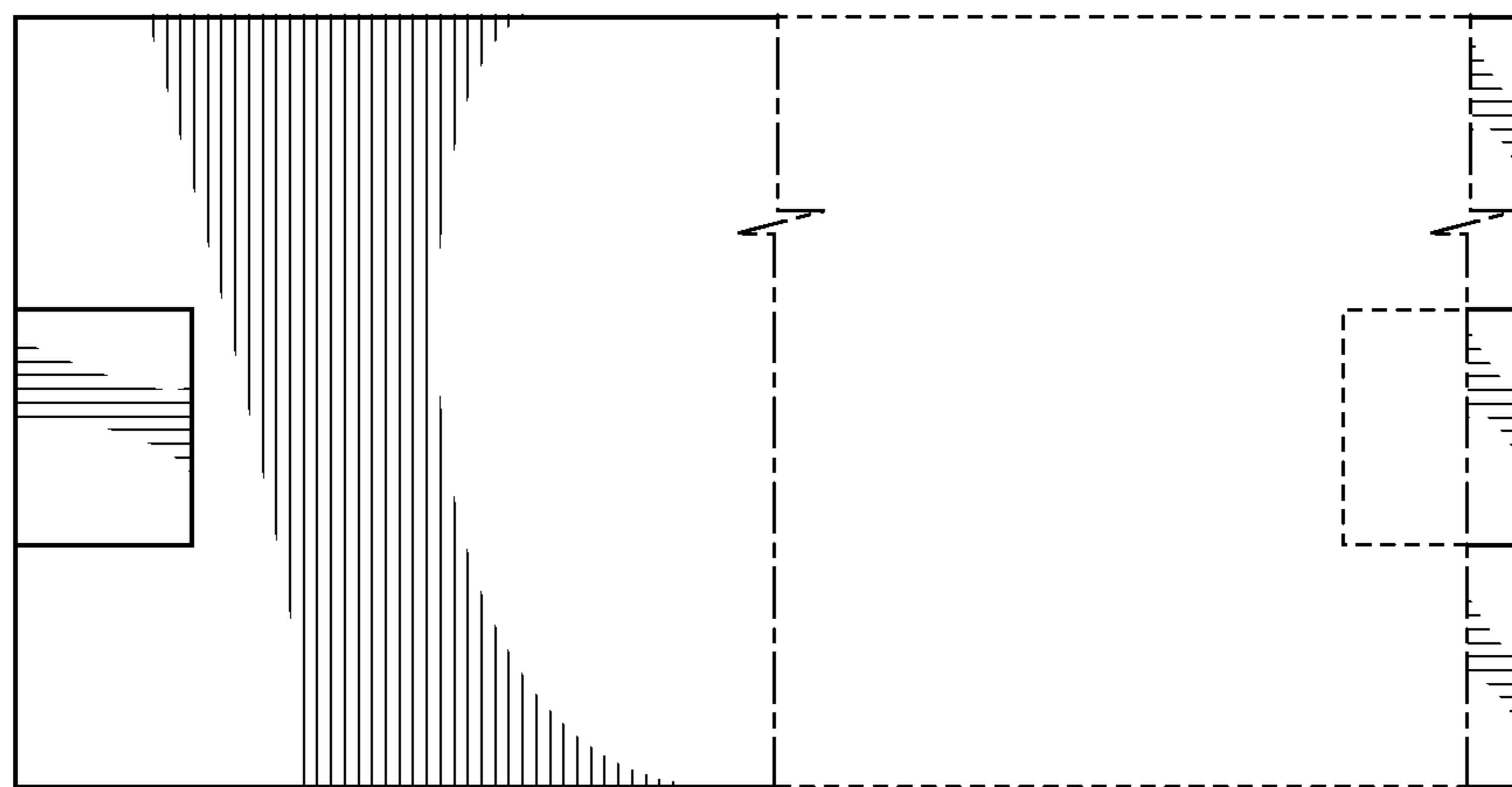


FIG. 8



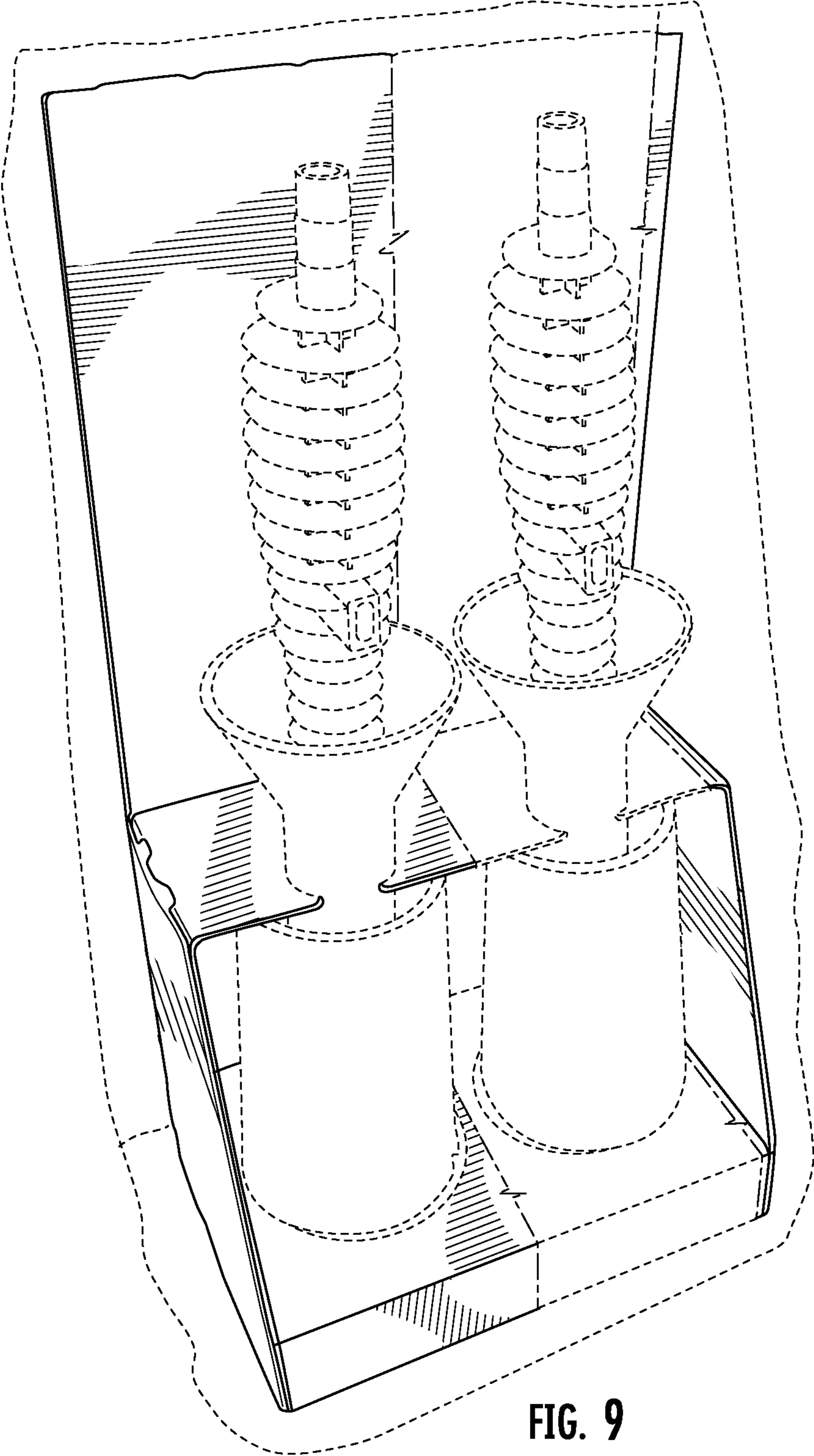


FIG. 9

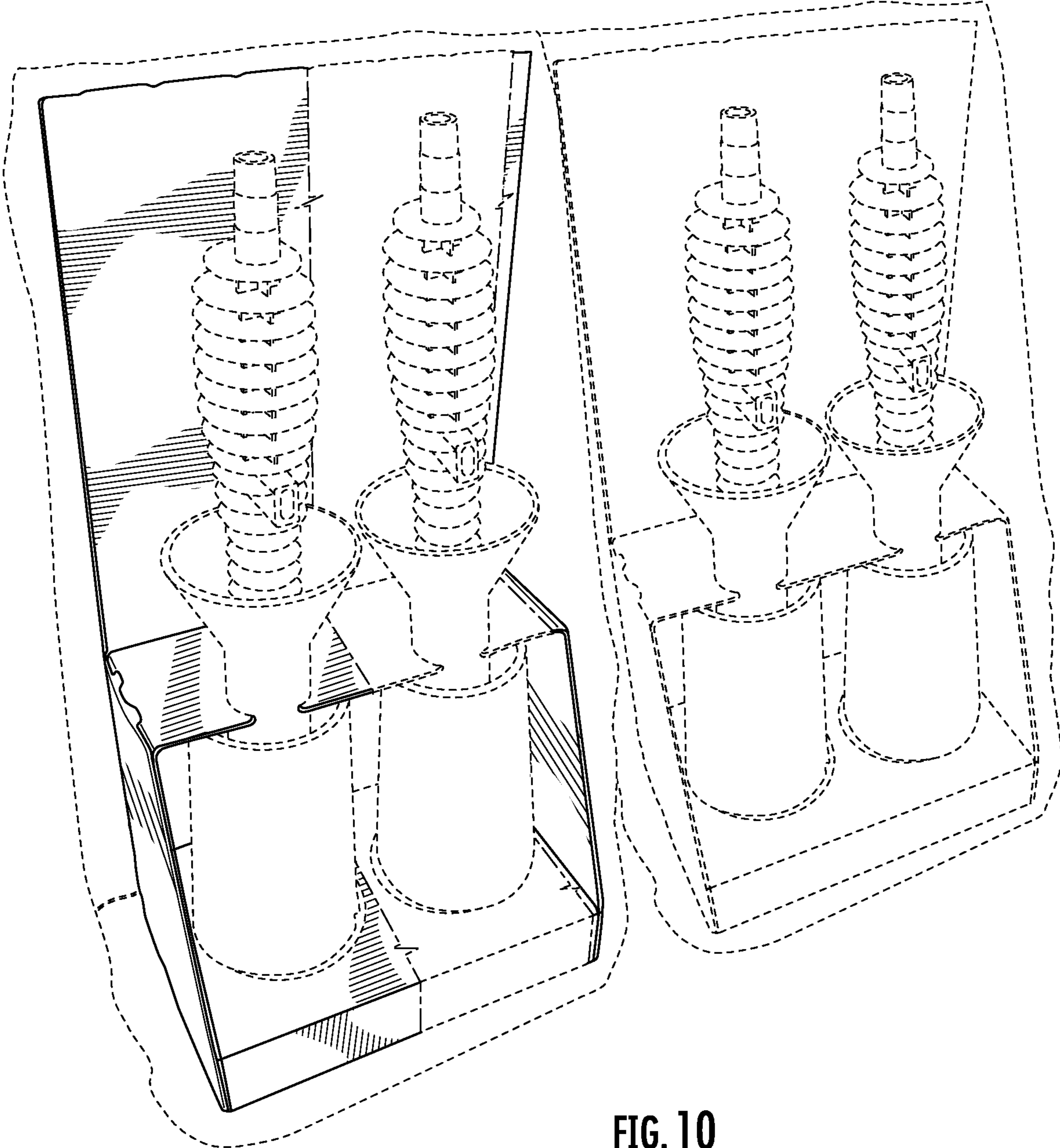


FIG. 10

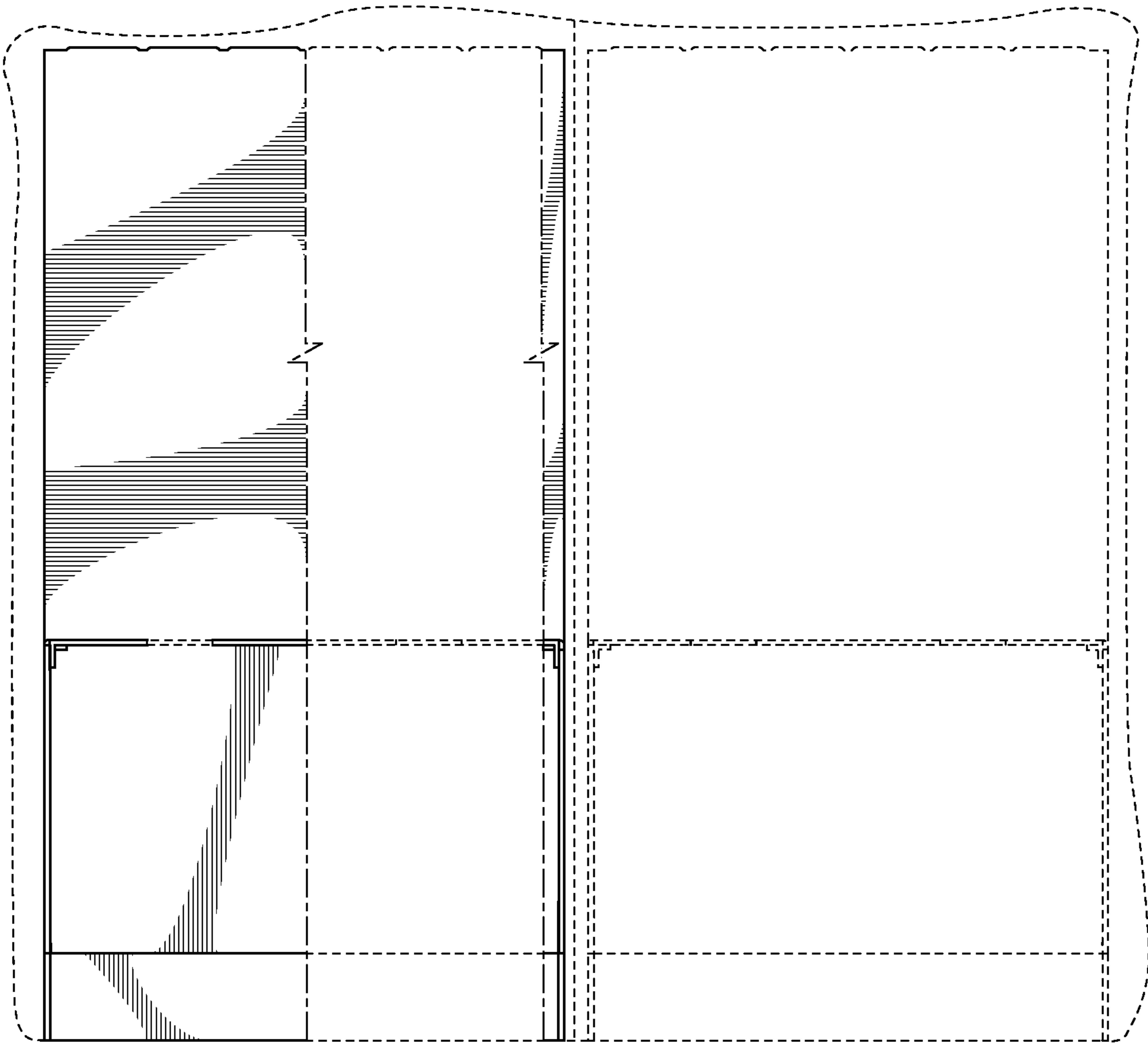


FIG. 11