



US00D901311S

(12) **United States Design Patent**  
**Schwartz**

(10) **Patent No.:** **US D901,311 S**

(45) **Date of Patent:** **\*\* Nov. 10, 2020**

(54) **DISPENSER FOR SAFETY RAZOR BLADE ASSEMBLY**

(71) Applicant: **Edgewell Personal Care Brands, LLC**, Chesterfield, MO (US)

(72) Inventor: **Abraham Schwartz**, Milford, CT (US)

(73) Assignee: **EDGEWELL PERSONAL CARE BRANDS, LLC**, Chesterfield, MO (US)

(\*\*) Term: **15 Years**

(21) Appl. No.: **29/688,821**

(22) Filed: **Apr. 24, 2019**

(51) **LOC (12) Cl.** ..... **09-01**

(52) **U.S. Cl.**  
USPC ..... **D9/735; D9/748**

(58) **Field of Classification Search**  
USPC ..... D9/414, 730, 735, 736, 748, 749;  
D3/201, 203.1  
CPC ..... B65D 83/10; B65D 83/00; B65D 23/12;  
B26B 21/446  
See application file for complete search history.

(56) **References Cited**

**U.S. PATENT DOCUMENTS**

D187,346 S *	3/1960	Schladermundt et al. ....	D9/735
D227,752 S *	7/1973	Muncy .....	D9/735
D233,598 S *	11/1974	Glaberson .....	D9/735
4,173,285 A *	11/1979	Kiraly .....	B65D 83/10 206/356
4,972,968 A *	11/1990	Iten .....	B65D 83/10 206/357
5,265,759 A	11/1993	Coffin	
5,388,693 A *	2/1995	Ceraudo .....	B65D 83/00 206/340

5,409,133 A	4/1995	Gringer	
D663,943 S *	7/2012	Walsh .....	D3/203.1 206/356
D787,951 S	5/2017	Lee et al.	
D788,600 S	6/2017	Lee et al.	
2004/0069666 A1 *	4/2004	Zieger .....	B65D 25/06 206/356
2005/0241987 A1 *	11/2005	Dieudonat .....	A45D 40/22 206/581
2009/0194557 A1 *	8/2009	Van Deursen .....	B65D 83/10 221/232
2011/0233229 A1 *	9/2011	Schekalla .....	B65D 83/10 221/270
2015/0342319 A1 *	12/2015	Lee .....	B26B 21/24 206/354
2016/0304269 A1 *	10/2016	Erdmann .....	B65D 83/0817

\* cited by examiner

*Primary Examiner* — Lauren R Calve

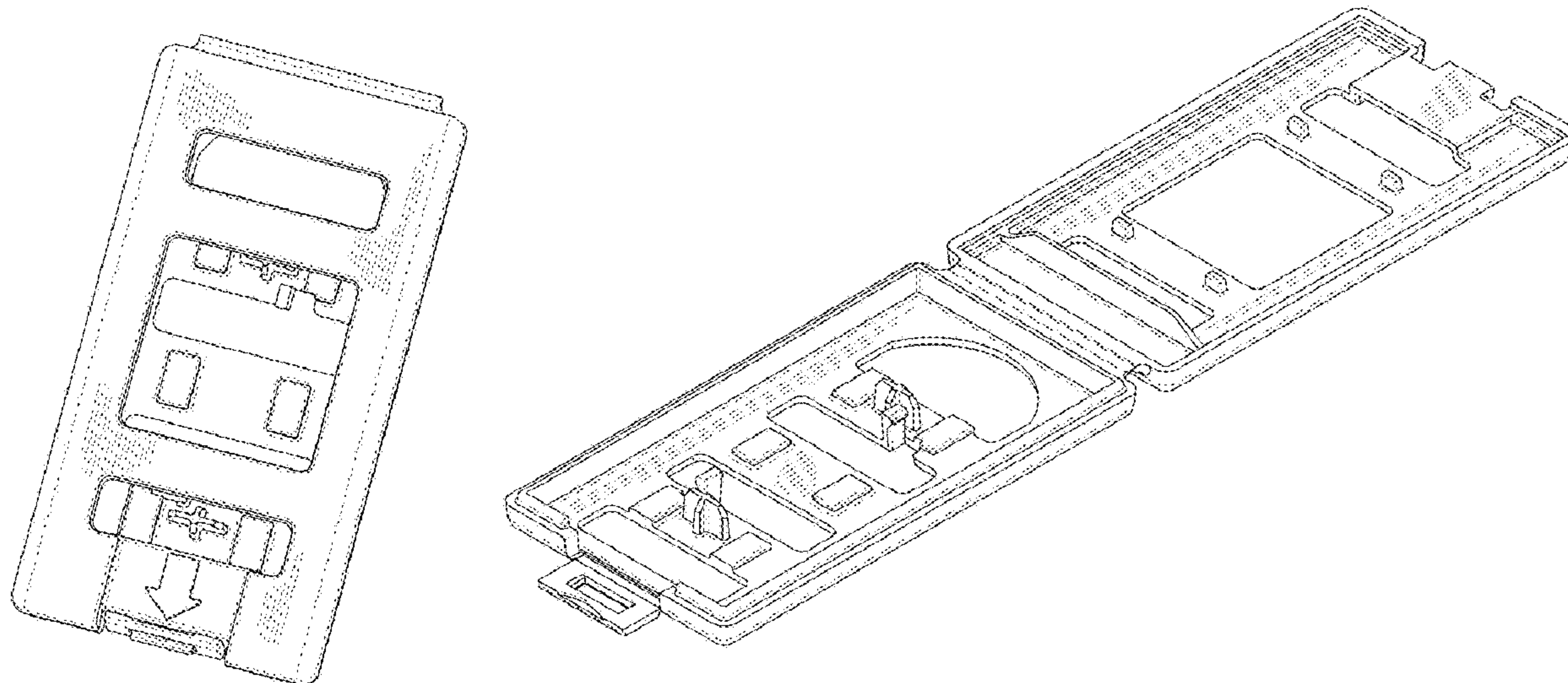
(57) **CLAIM**

I claim the ornamental design for a dispenser for safety razor blade assembly, as shown and described.

**DESCRIPTION**

FIG. 1 is an upper perspective view of a dispenser for safety razor blade assembly.  
 FIG. 2 is a lower perspective view thereof.  
 FIG. 3 is a top view thereof.  
 FIG. 4 is a bottom view thereof.  
 FIG. 5 is an end view thereof.  
 FIG. 6 is an end view, opposite the view of FIG. 5.  
 FIG. 7 is a side view thereof.  
 FIG. 8 is an opposite side view thereof.  
 FIG. 9 is an upper perspective view of the dispenser in an open position; and,  
 FIG. 10 is a top orthogonal view of the dispenser in an open position.

**1 Claim, 4 Drawing Sheets**



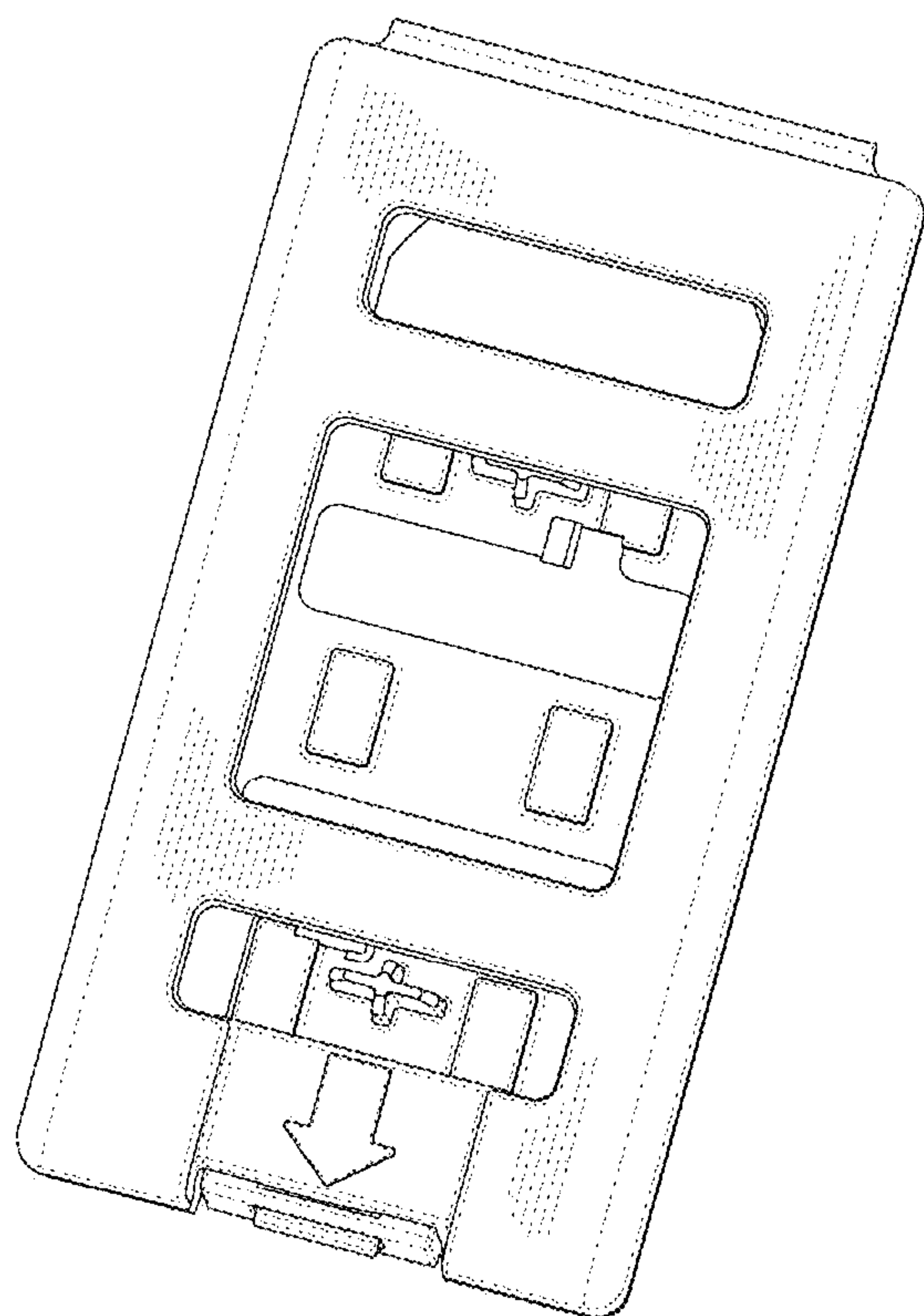


FIG. 1

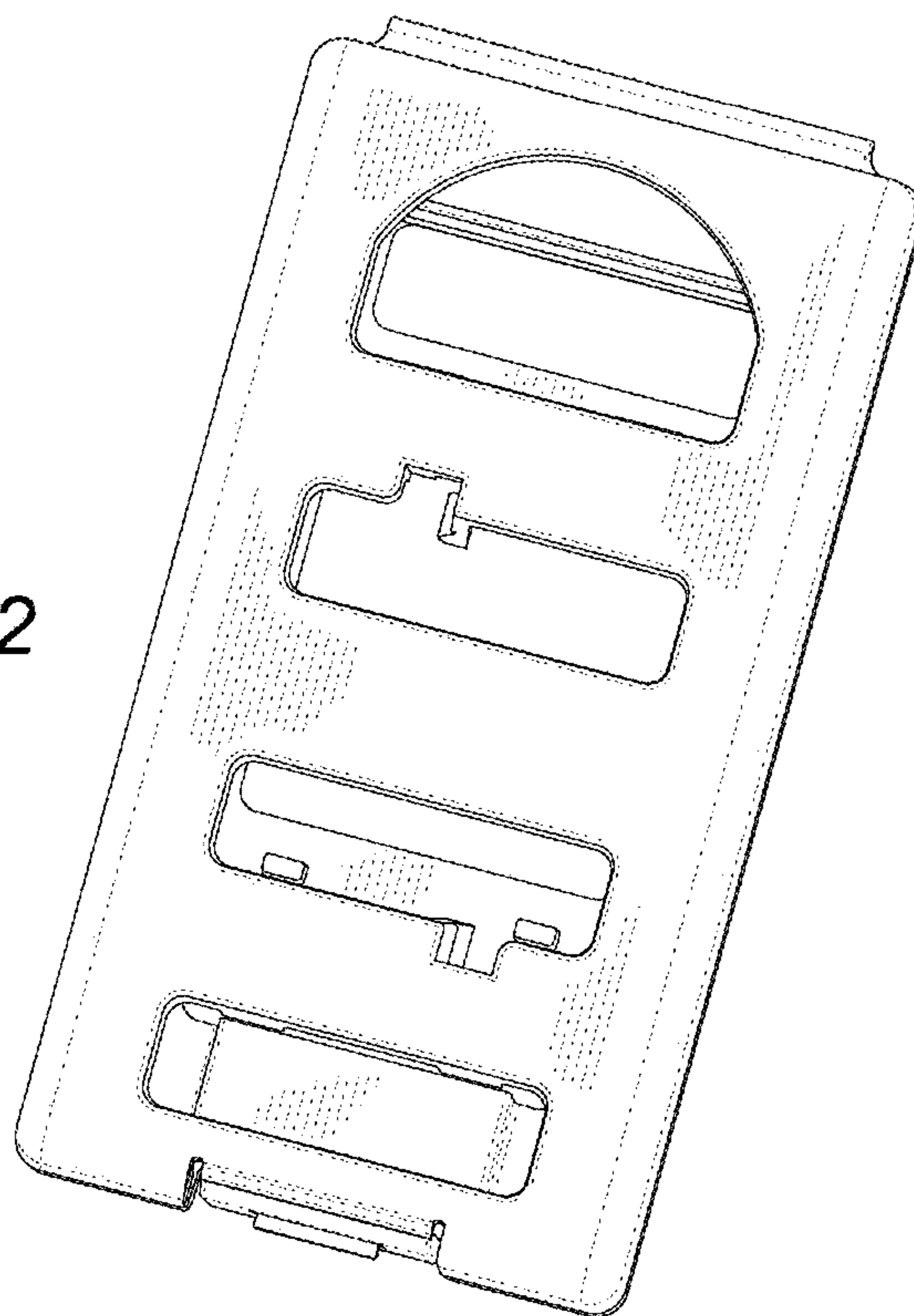


FIG. 2

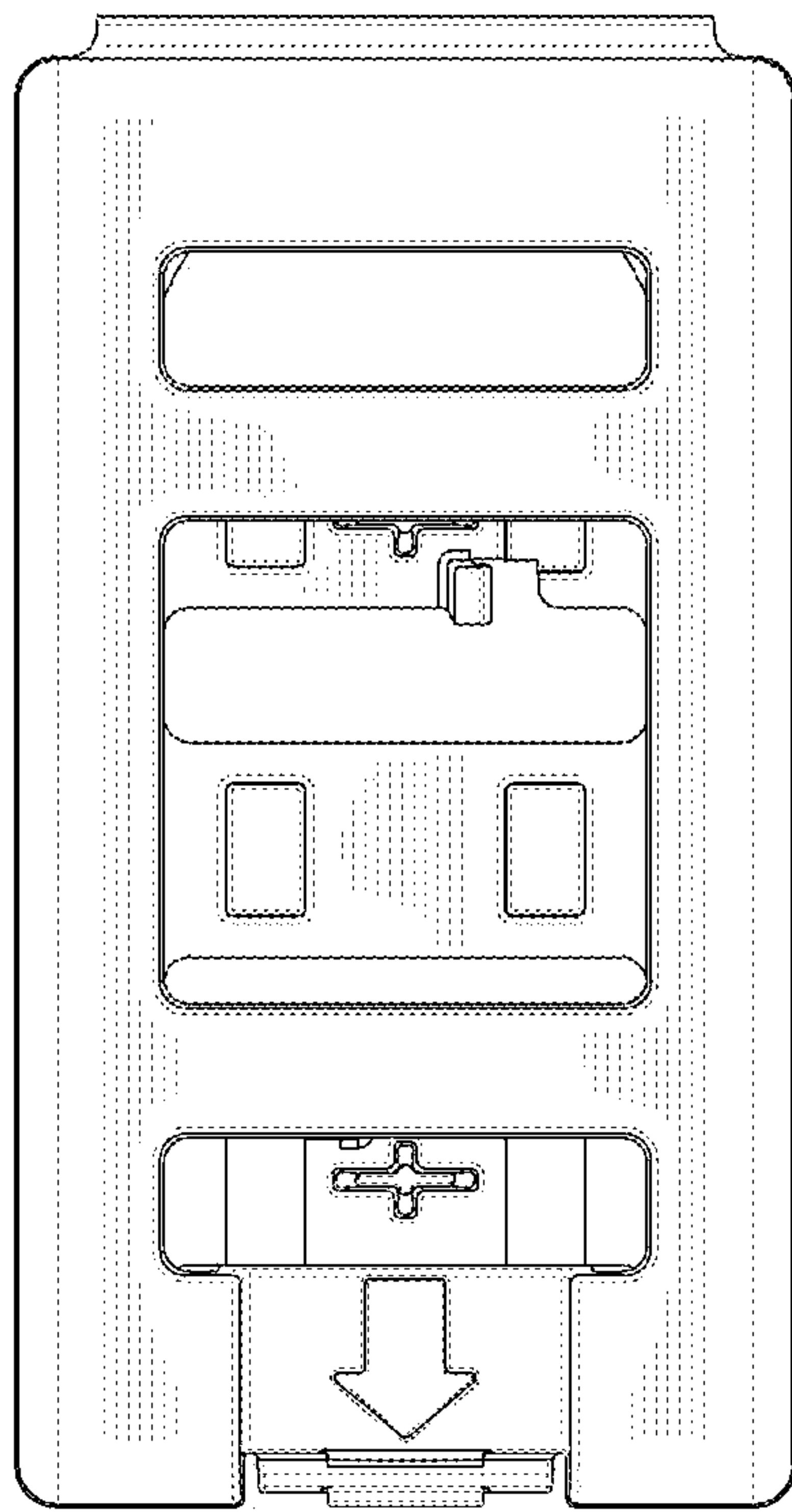


FIG. 3

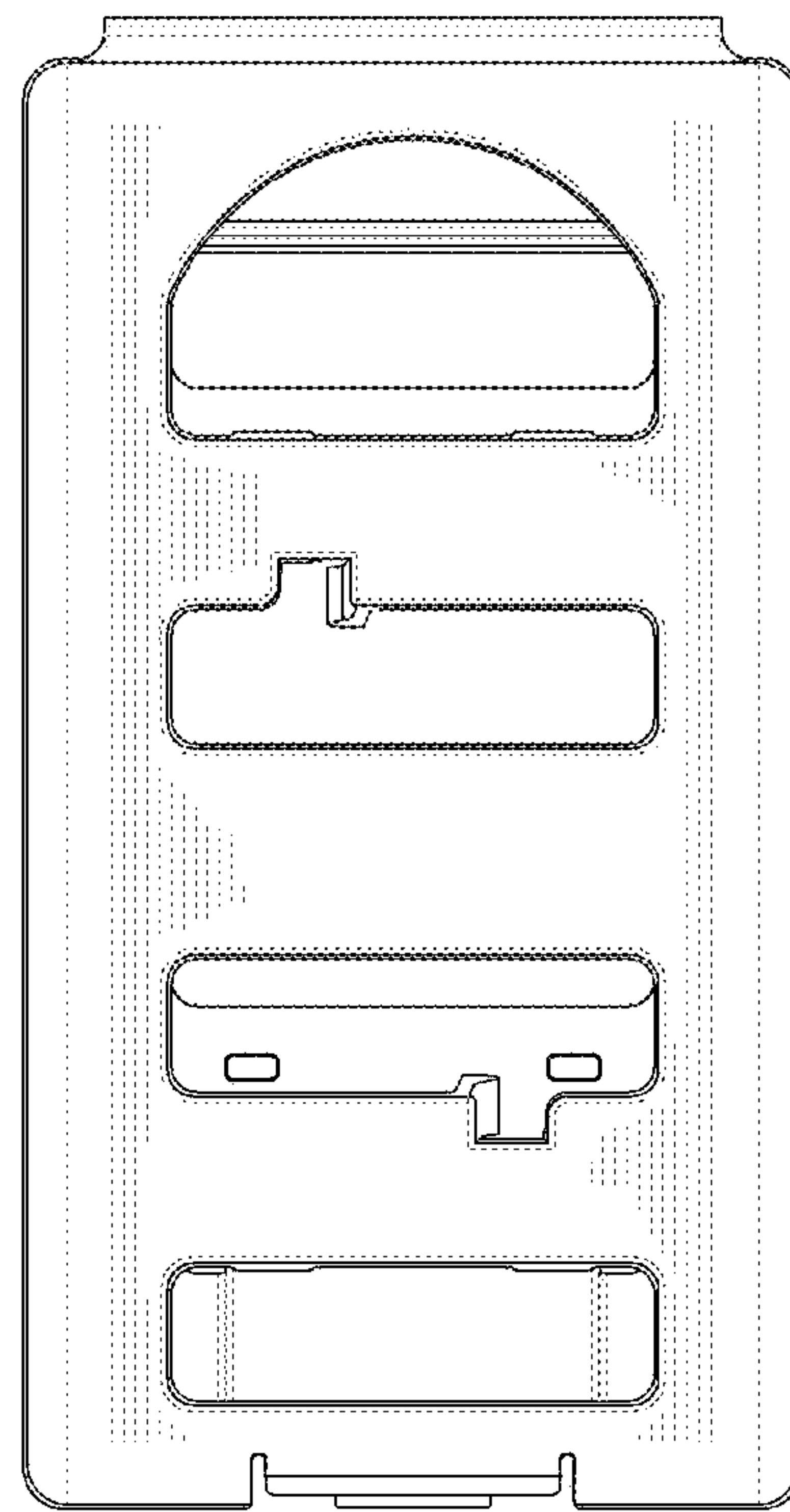


FIG. 4

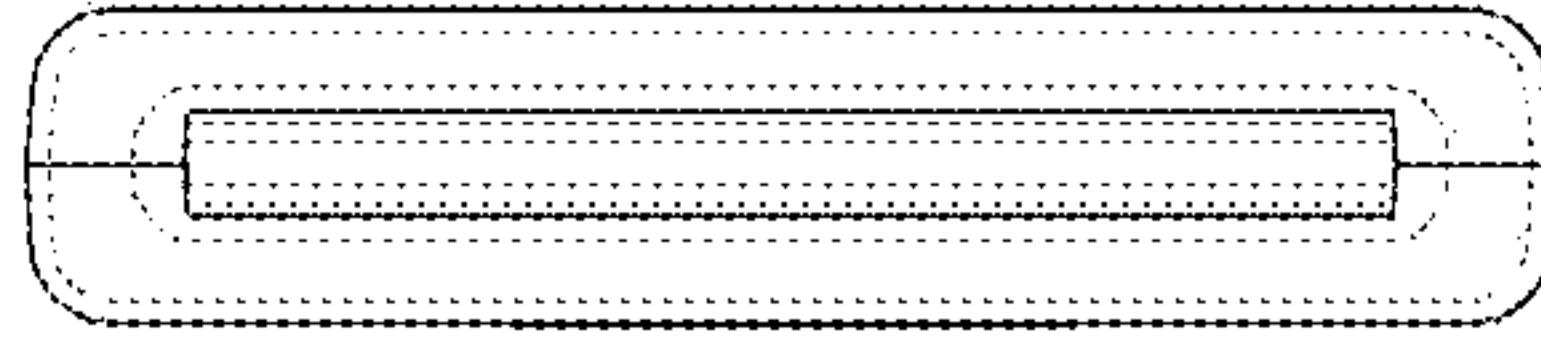


FIG. 5

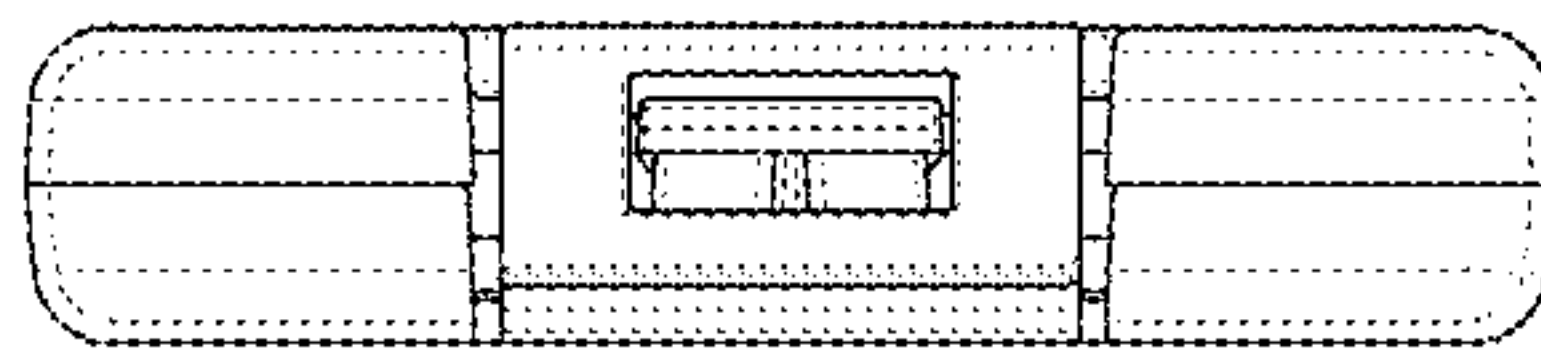


FIG. 6

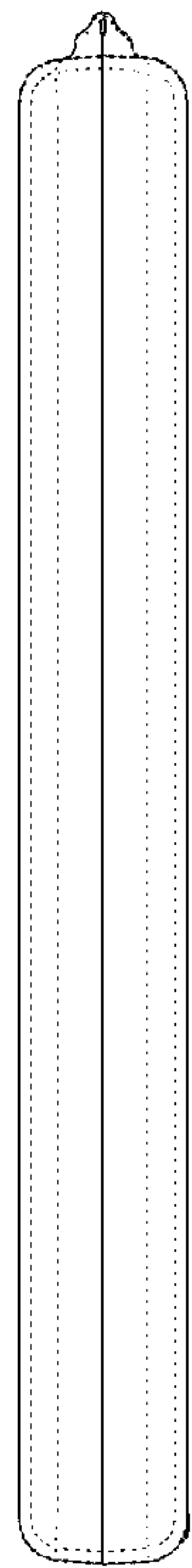


FIG. 7

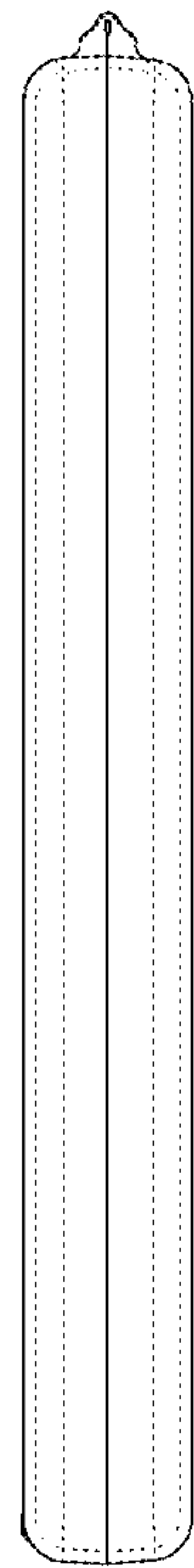


FIG. 8



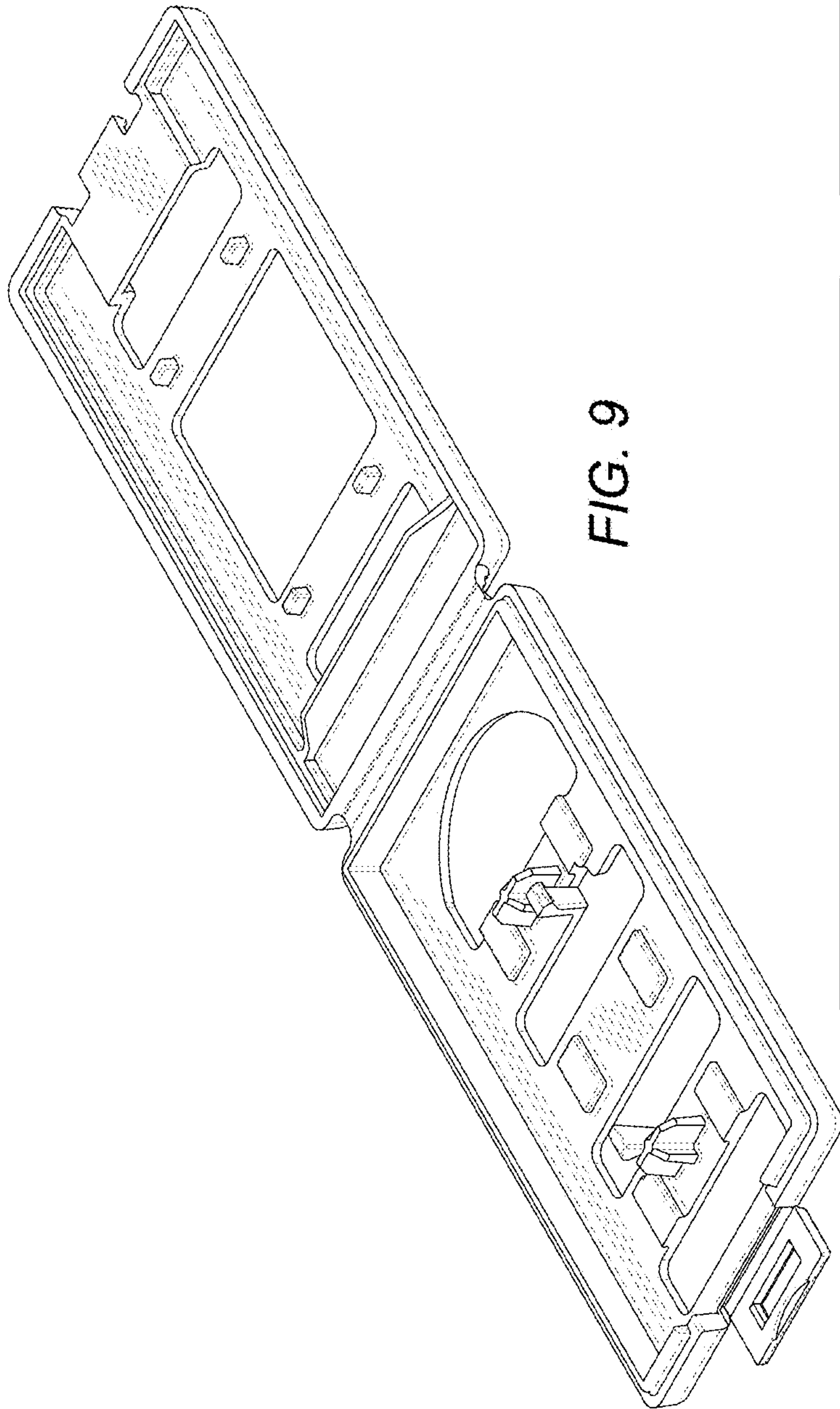


FIG. 9

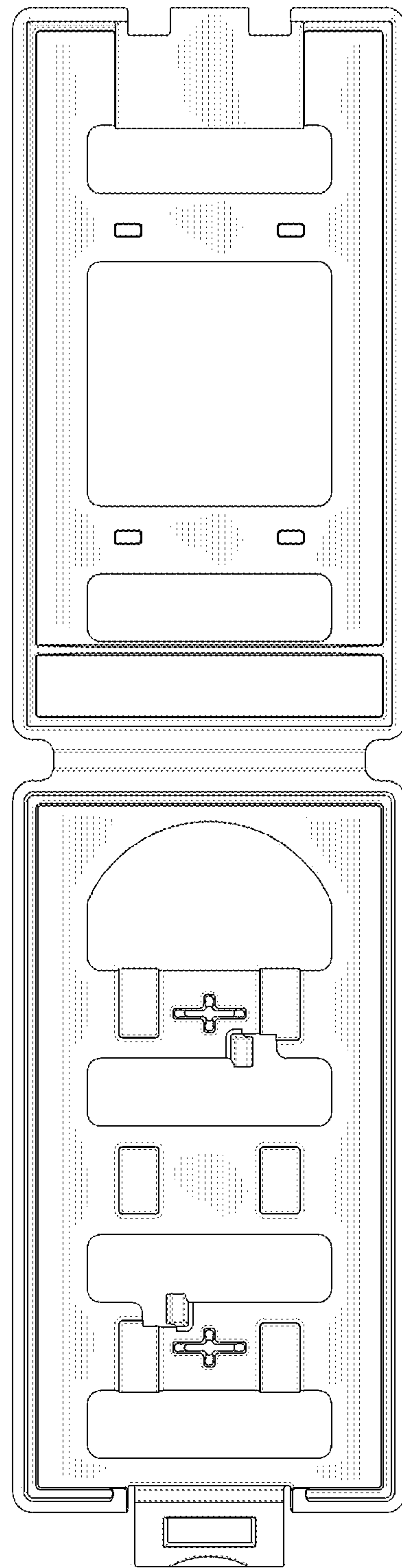


FIG. 10