



US00D901310S

(12) **United States Design Patent** (10) **Patent No.:** **US D901,310 S**
Pirela (45) **Date of Patent:** **** Nov. 10, 2020**

(54) **PACKAGED FOOD PRODUCT**
(71) Applicant: **Kraft Foods Group Brands LLC**,
Chicago, IL (US)
(72) Inventor: **Janina Pirela**, Plainsboro, NJ (US)
(73) Assignee: **KRAFT FOODS GROUP BRANDS**
LLC, Chicago, IL (US)
(**) Term: **15 Years**
(21) Appl. No.: **29/691,858**
(22) Filed: **May 20, 2019**
(51) **LOC (12) Cl.** **09-05**
(52) **U.S. Cl.**
USPC **D9/708**
(58) **Field of Classification Search**
USPC D9/702-703, 705, 707, 709, 713-714,
D9/720, 414-416, 737, 643, 648;
426/106, 114-115, 119; 222/92, 107,
222/215, 527; 383/61.1, 113, 78, 84,
383/108, 207, 38, 63, 114, 210; 219/727;
D3/202, 203.1, 303; 206/811; D24/118,
D24/207; 229/87.06, 87.03, 87.08
CPC B65D 858/00; B65D 75/00; B65D 33/00;
B65D 33/04; B65D 33/24; B65D 33/16;
B65D 33/12; B65D 33/008; B65D 33/02;
B65D 33/01; B65D 81/3415; B65D
81/343; B65D 81/3438; B65D 81/3446;
B65D 81/3461; B65D 81/3266; B65D
81/22; A47K 10/421
See application file for complete search history.

(56) **References Cited**
U.S. PATENT DOCUMENTS
7,371,008 B2 * 5/2008 Bonenfant B65D 75/5838
383/5
D619,478 S * 7/2010 Drewnowski D9/707
D643,745 S * 8/2011 Hartley D9/707
D756,801 S * 5/2016 Fenech, III D9/707
* cited by examiner
Primary Examiner — Abraham Bahta
(74) *Attorney, Agent, or Firm* — Fitch, Even, Tabin &
Flannery, LLP

(57) **CLAIM**
The ornamental design for a packaged food product, as
shown and described.

DESCRIPTION
FIG. 1 is a perspective view of a package showing my new
design.
FIG. 2 is a top plan view thereof.
FIG. 3 is a bottom plan view thereof.
FIG. 4 is front elevational view thereof.
FIG. 5 is a rear elevational view thereof; and,
FIG. 6 is a left side elevational view thereof, the right side
view being a mirror image thereof.

1 Claim, 3 Drawing Sheets

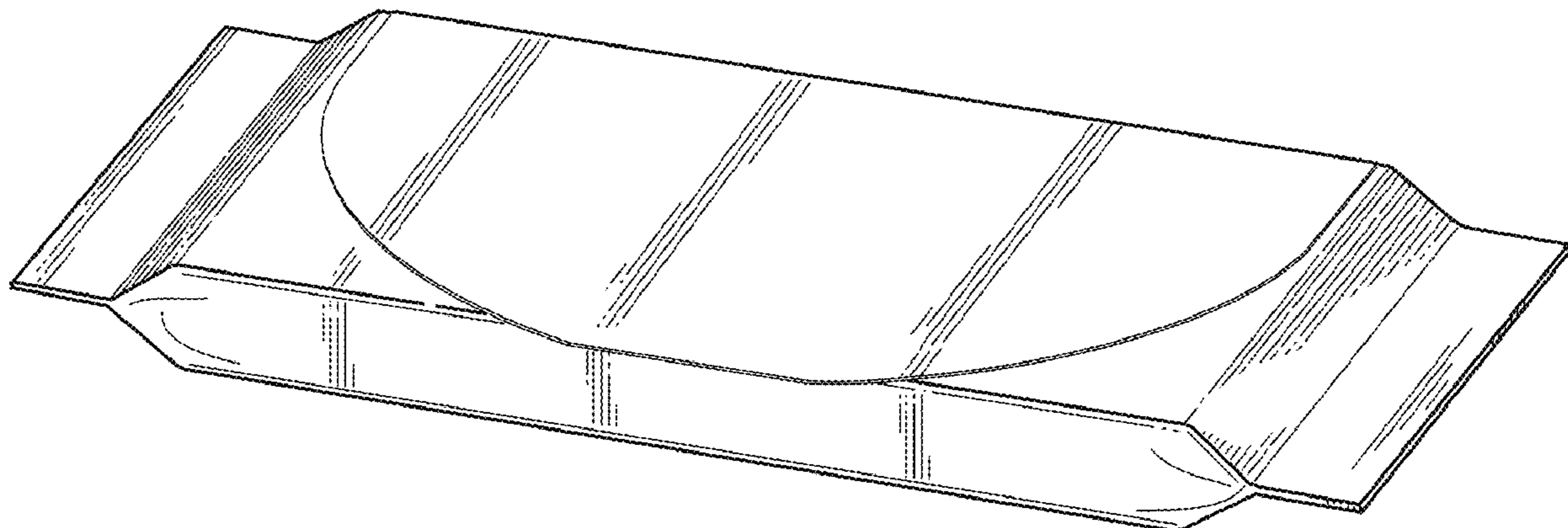


FIG. 1

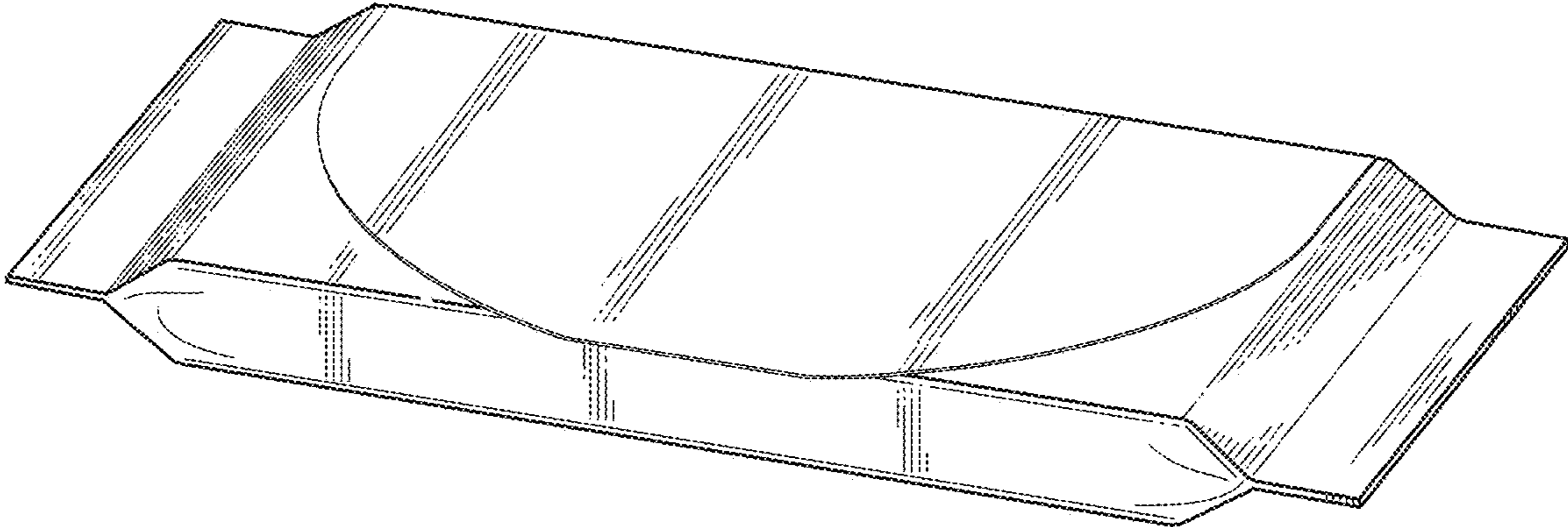


FIG. 2

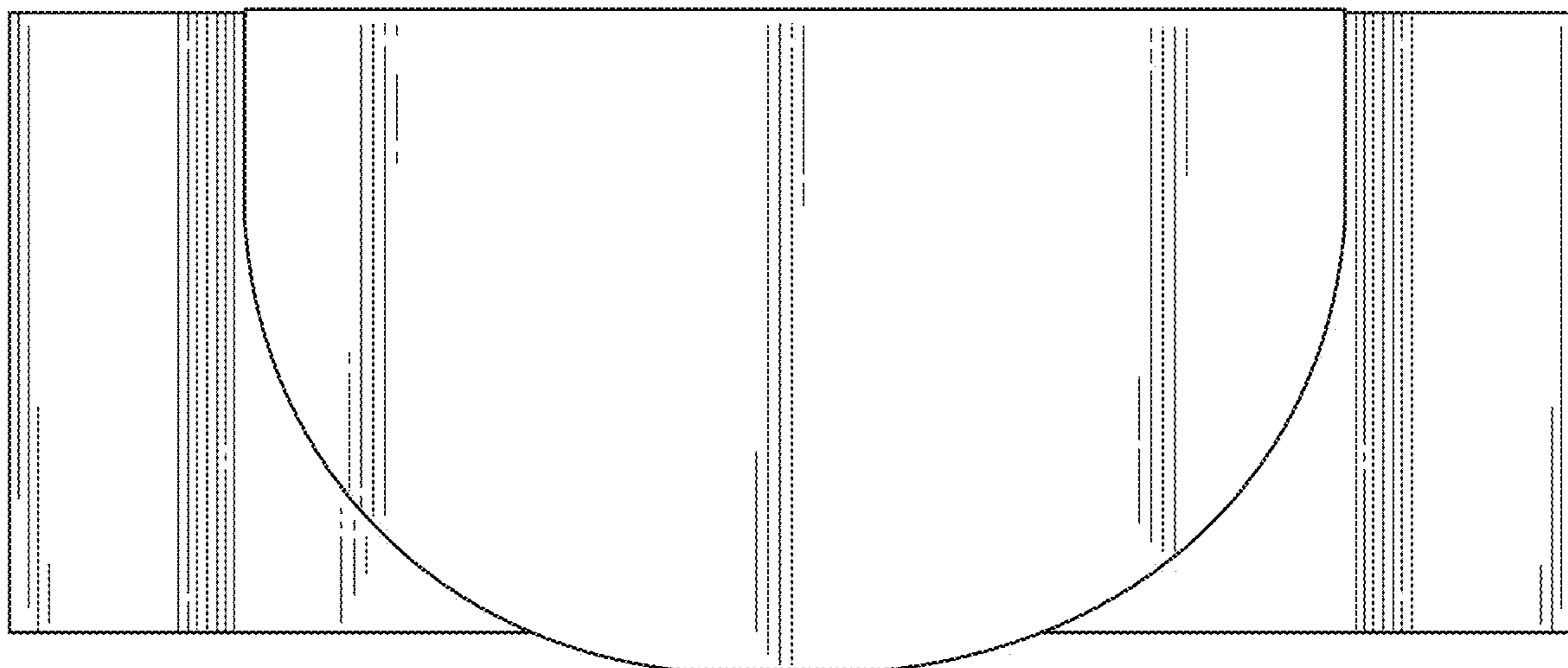


FIG. 3

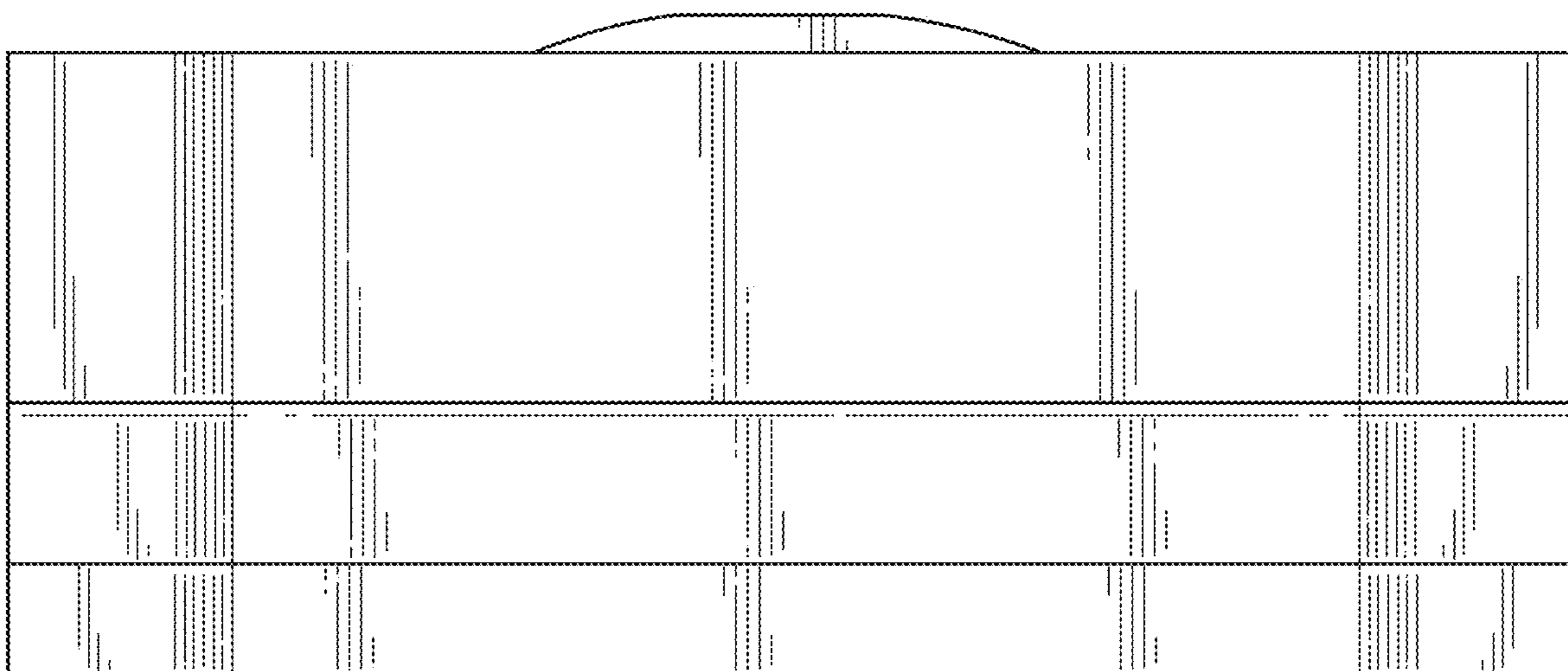


FIG. 4

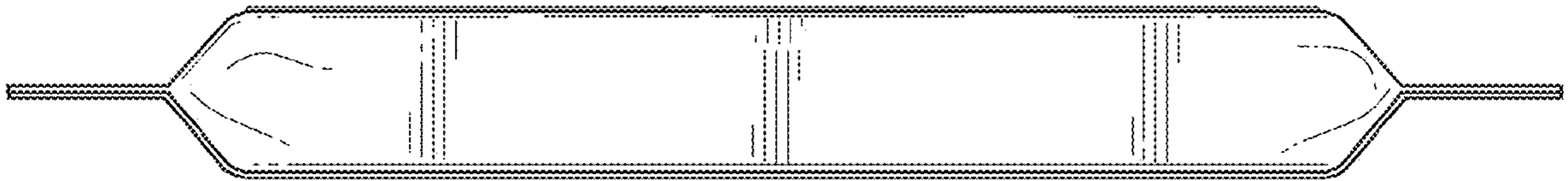


FIG. 5

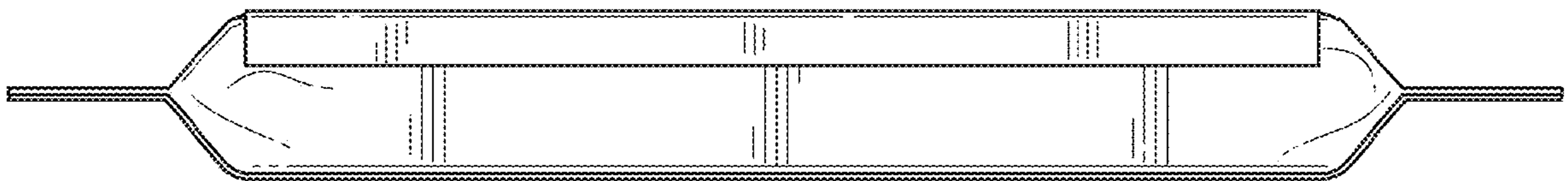


FIG. 6

