



US00D901307S

(12) **United States Design Patent** (10) **Patent No.:** **US D901,307 S**
Ha (45) **Date of Patent:** **** Nov. 10, 2020**

(54) **CONTAINER FOR FACIAL MASK**

(56) **References Cited**

(71) Applicant: **ECIS COSMETIC Co., Ltd.,**
Siheung-si (KR)

(72) Inventor: **Taisuk Ha,** Incheon (KR)

(73) Assignee: **ECIS COSMETIC Co., Ltd.,**
Siheung-si (KR)

(**) Term: **15 Years**

(21) Appl. No.: **29/677,092**

(22) Filed: **Jan. 17, 2019**

(30) **Foreign Application Priority Data**

Oct. 25, 2018 (KR) 30-2018-0049367

(51) **LOC (12) Cl.** **09-01**

(52) **U.S. Cl.**
USPC **D9/663; D9/416; D9/425**

(58) **Field of Classification Search**
USPC D9/600, 655-664, 730, 732, 414-434;
206/457, 494, 459.5, 527, 540;
229/116.1; 215/381-384, 400;
D7/514-520, 539, 544, 571, 594, 599,
D7/604, 613, 619.2, 623, 625, 628-630,
D7/391-392.1; D3/270-271.8; D28/76,
D28/79
CPC B65D 67/00; B65D 81/36; B65D 81/60;
B65D 81/368; B65D 37/00; B65D 5/42;
B65D 5/4208; B65D 77/00; A63H 33/10;
A63H 33/16

See application file for complete search history.

U.S. PATENT DOCUMENTS

D116,032 S *	8/1939	Jacknick	D9/663
D379,430 S *	5/1997	Siripreedabhakd	D9/663
D380,821 S *	7/1997	Chen	D9/663
D494,855 S *	8/2004	McElligott	D9/663
D651,096 S *	12/2011	Nakagiri	D9/428
D683,222 S *	5/2013	McGregor	D9/663
D689,369 S *	9/2013	Dumas	D9/663
D712,506 S *	9/2014	Soller	D23/208
D804,322 S *	12/2017	Fox	D9/425
D804,962 S *	12/2017	Fox	D9/425
D853,249 S *	7/2019	McKendree	D9/732
D854,924 S *	7/2019	Ashiwa	D9/416

* cited by examiner

Primary Examiner — Sandra L Morris

(74) *Attorney, Agent, or Firm* — Paratus Law Group, PLLC

(57) **CLAIM**

The ornamental design for a container for facial mask, as shown and described.

DESCRIPTION

FIG. 1 is a top, front, and right perspective view of a container for facial mask showing the claimed design; FIG. 2 is a front view thereof; FIG. 3 is a rear view thereof; FIG. 4 is a left side view thereof; FIG. 5 is a right side view thereof; FIG. 6 is a top view thereof; FIG. 7 is a bottom view thereof; and, FIG. 8 is a bottom, front, and right perspective view thereof with a seal thereof being partially peeled.

1 Claim, 6 Drawing Sheets

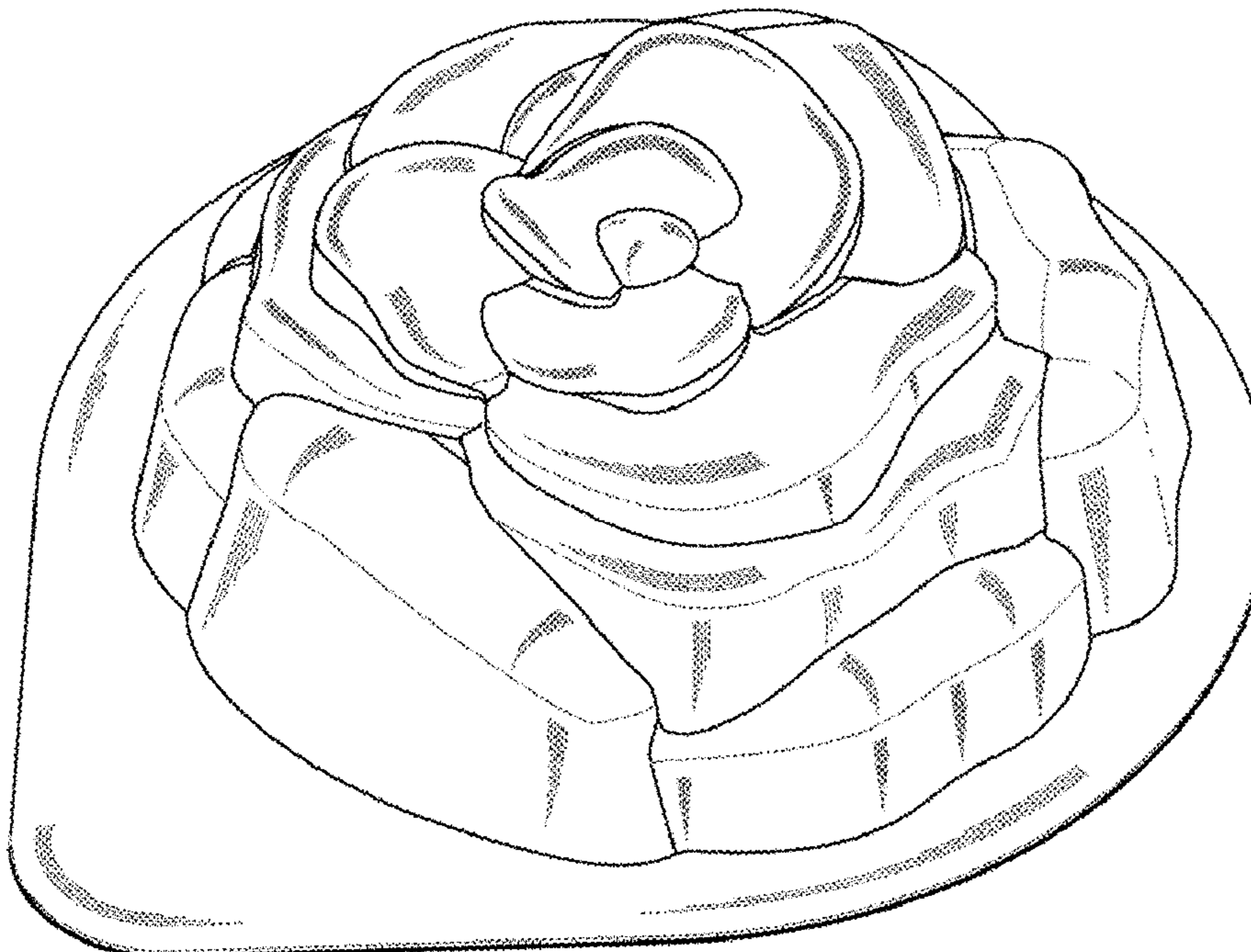


FIG. 1

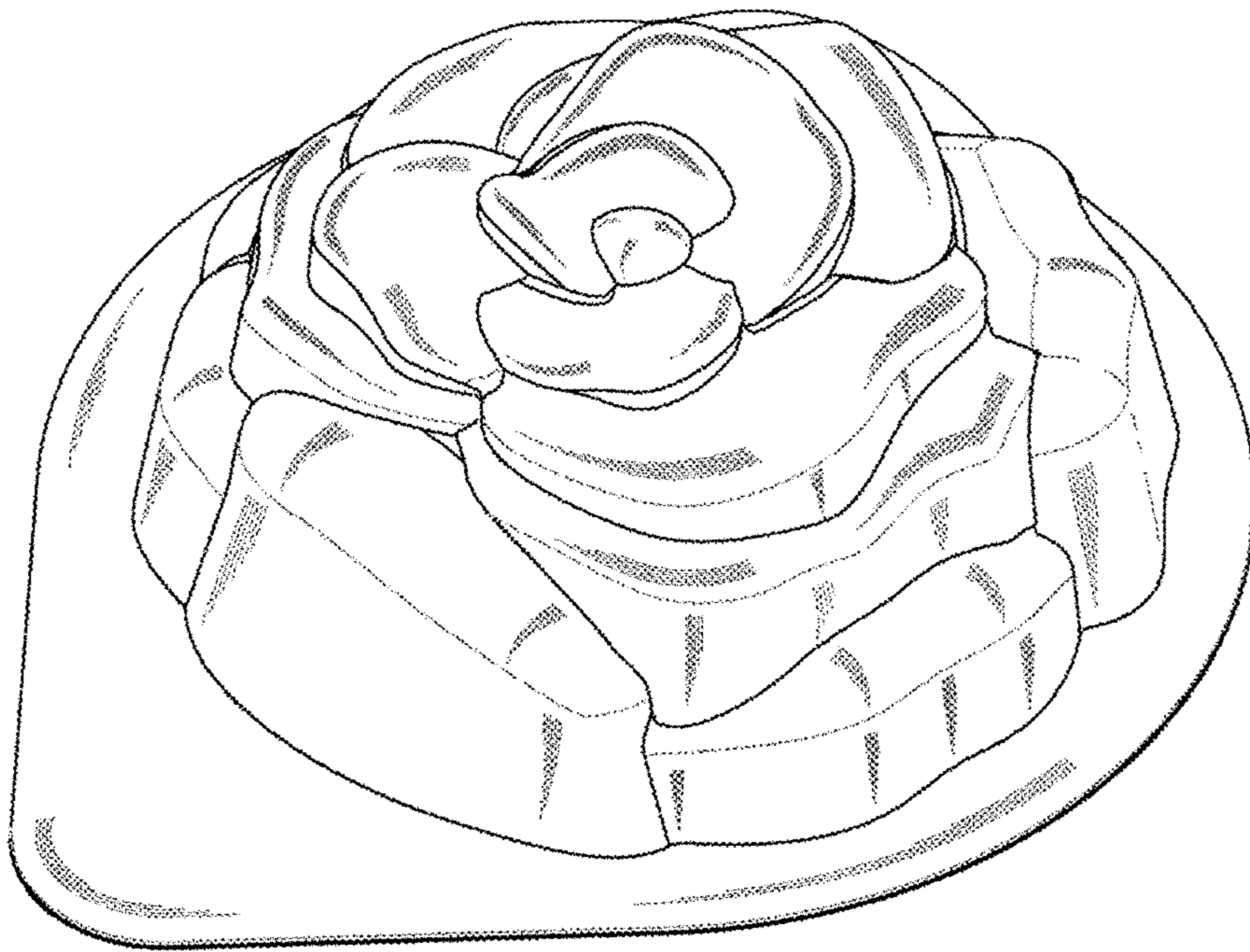


FIG. 2

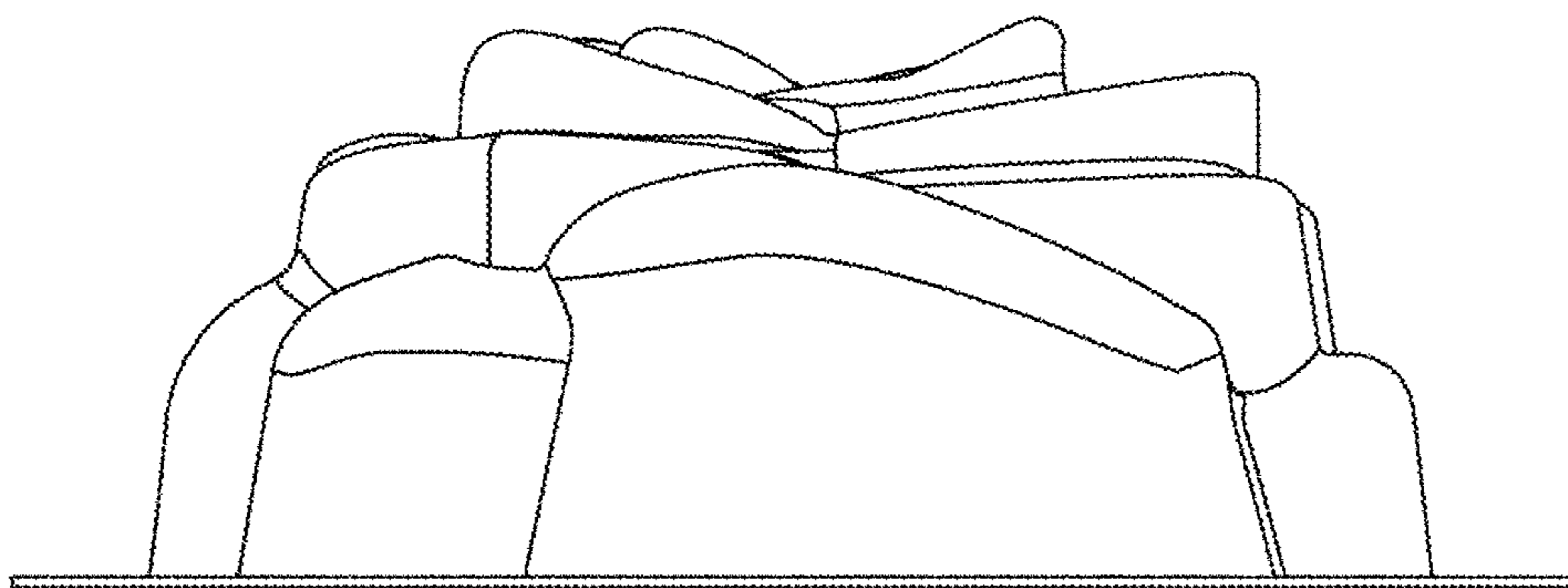


FIG. 3

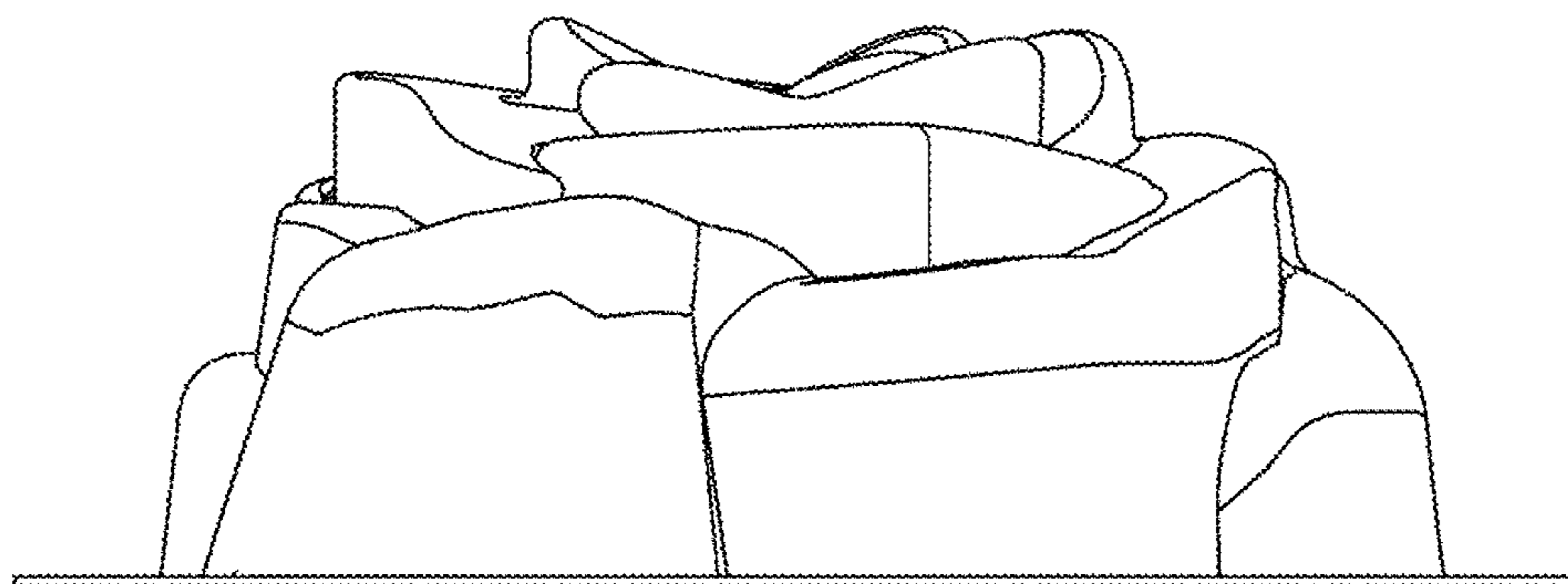


FIG. 4

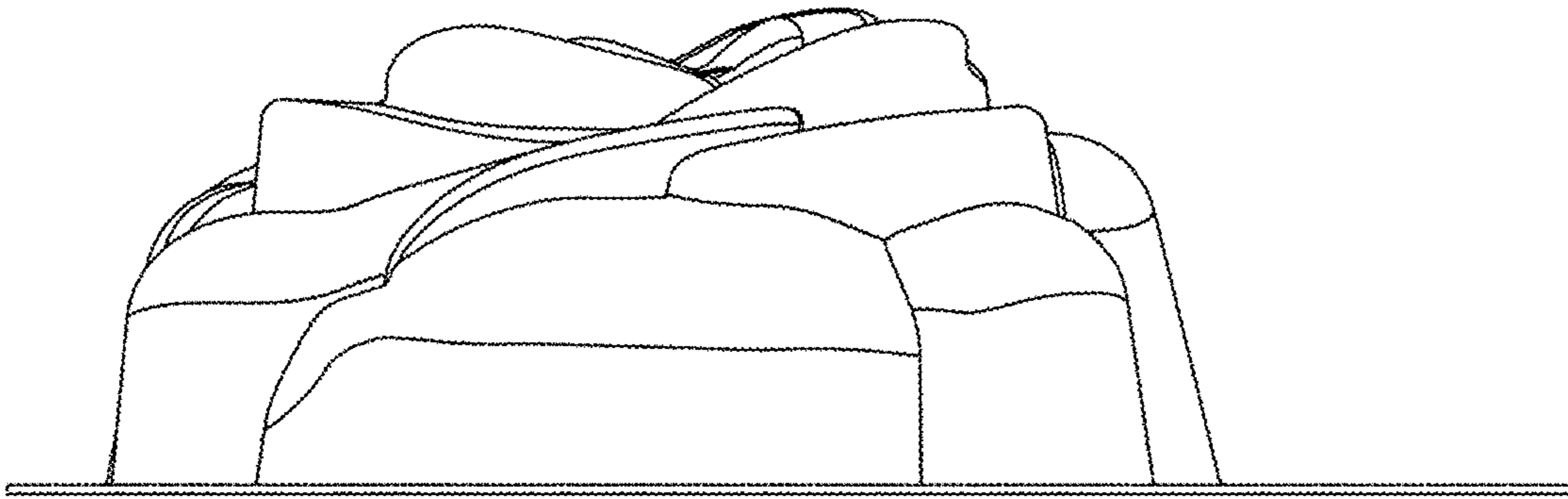


FIG. 5

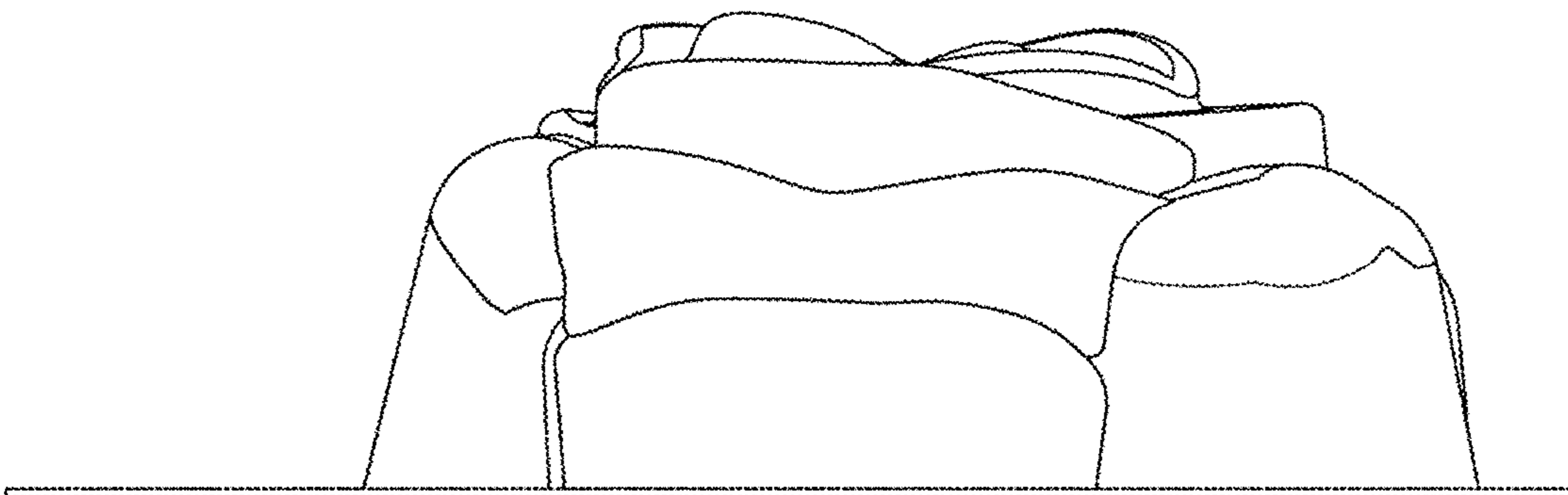


FIG. 6

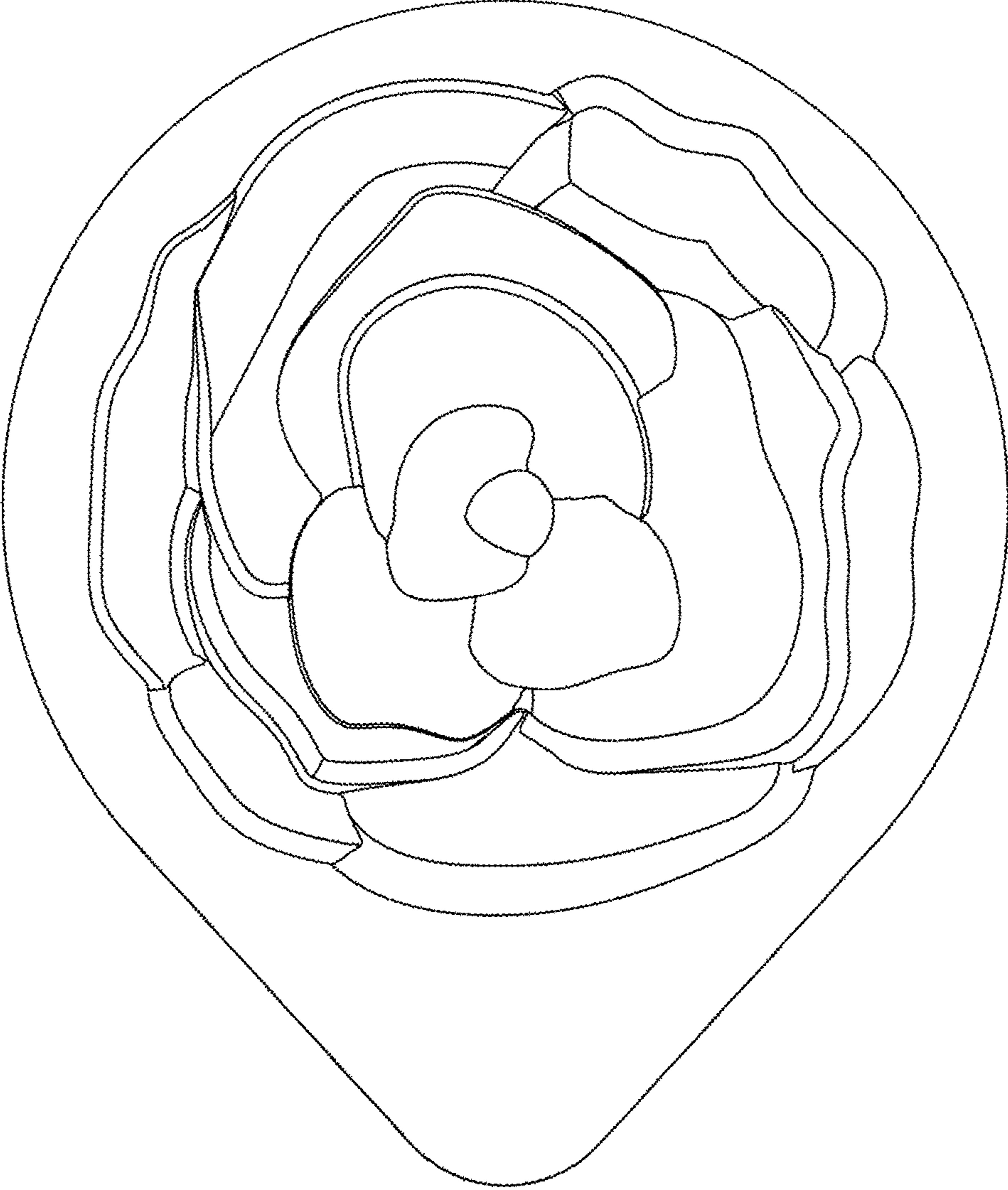


FIG. 7

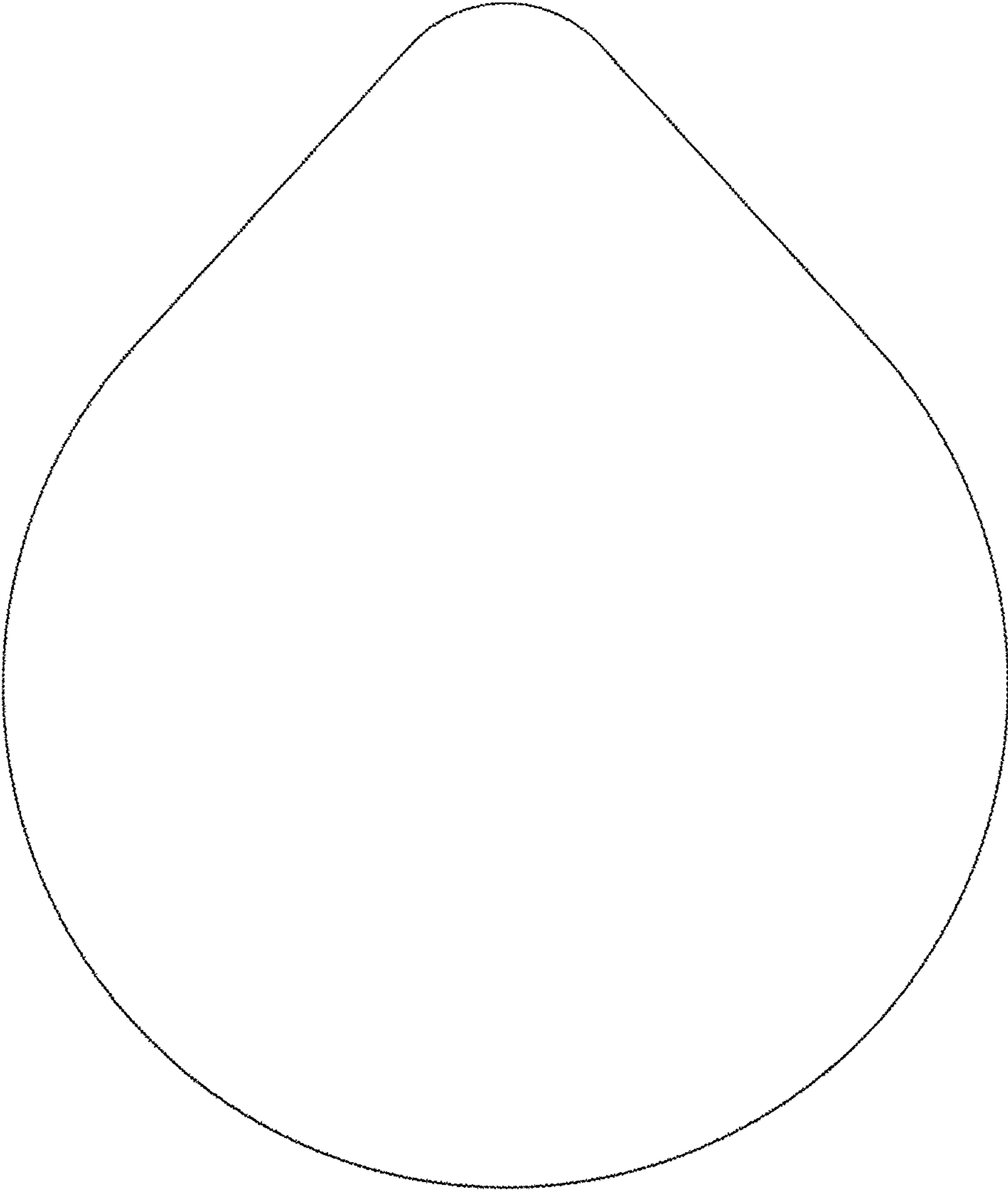


FIG. 8

