



US00D901303S

(12) **United States Design Patent**
Jaouen et al.

(10) **Patent No.:** **US D901,303 S**
(45) **Date of Patent:** **** Nov. 10, 2020**

(54) **PRODUCT CONTAINER**

(71) Applicant: **WM. WRIGLEY JR. COMPANY,**
Chicago, IL (US)

(72) Inventors: **Nicolas Jaouen,** Chicago, IL (US);
Rory Johnston, Basingstoke (GB);
Peter Booth, Swindon (GB); **Alex Roper,** Singapore (SG); **Ian Smith,** Marlborough (GB); **Mark Watson,** Marlborough (GB)

(73) Assignee: **WM. WRIGLEY JR. COMPANY,**
Chicago, IL (US)

(**) Term: **15 Years**

(21) Appl. No.: **29/664,566**

(22) Filed: **Sep. 26, 2018**

(51) **LOC (12) Cl.** **09-01**

(52) **U.S. Cl.**

USPC **D9/529; D9/428; D9/551**

(58) **Field of Classification Search**

USPC D9/454, 501, 504, 519, 521, 523, 529,
D9/542, 549, 550, 551, 558, 564, 574,
D9/575, 522, 420, 503, 422, 423, 428,
D9/429, 571; D7/330.1, 665, 679, 509,
D7/510; D6/515, 542; D3/202, 203.1,
D3/203.2, 302; D19/93; D28/4, 8, 76,
D28/91; D1/102, 105

CPC A45D 40/0068; A45D 40/00; A45D
2040/0012; A45D 40/12; A45D 40/16;
B65D 1/0223; B65D 2501/0081; B65D
79/005; B29C 66/71; A61J 1/03; Y10S
220/34; Y10S 206/80

See application file for complete search history.

(56) **References Cited**

U.S. PATENT DOCUMENTS

D226,177 S * 1/1973 Bystedt et al. D9/551
D446,456 S * 8/2001 Adachi D9/529

D470,638 S * 2/2003 Quan D7/510
D531,856 S * 11/2006 Seum D7/509
D535,151 S * 1/2007 Seum D7/510
D545,131 S * 6/2007 Seum D7/509
D547,611 S * 7/2007 Seum D7/510
D552,993 S * 10/2007 Rathbone D9/504
D571,669 S * 6/2008 Ginsberg D9/571
D587,587 S * 3/2009 Schwartz D9/529
D588,459 S * 3/2009 Davis D9/529
D590,264 S * 4/2009 Schwartz D9/529

(Continued)

FOREIGN PATENT DOCUMENTS

CN 304187564 * 6/2017

Primary Examiner — Brett Miller

Assistant Examiner — Rani J Abdallah

(57) **CLAIM**

We claim the ornamental design for a product container, as substantially shown and described.

DESCRIPTION

FIG. 1 is an elevated perspective view of a product container of the present invention.

FIG. 2 is a level view of a front side of the product container of the present invention.

FIG. 3 is a level view of a rear side of the product container of the present invention.

FIG. 4 is a level view of a right side of the product container of the present invention.

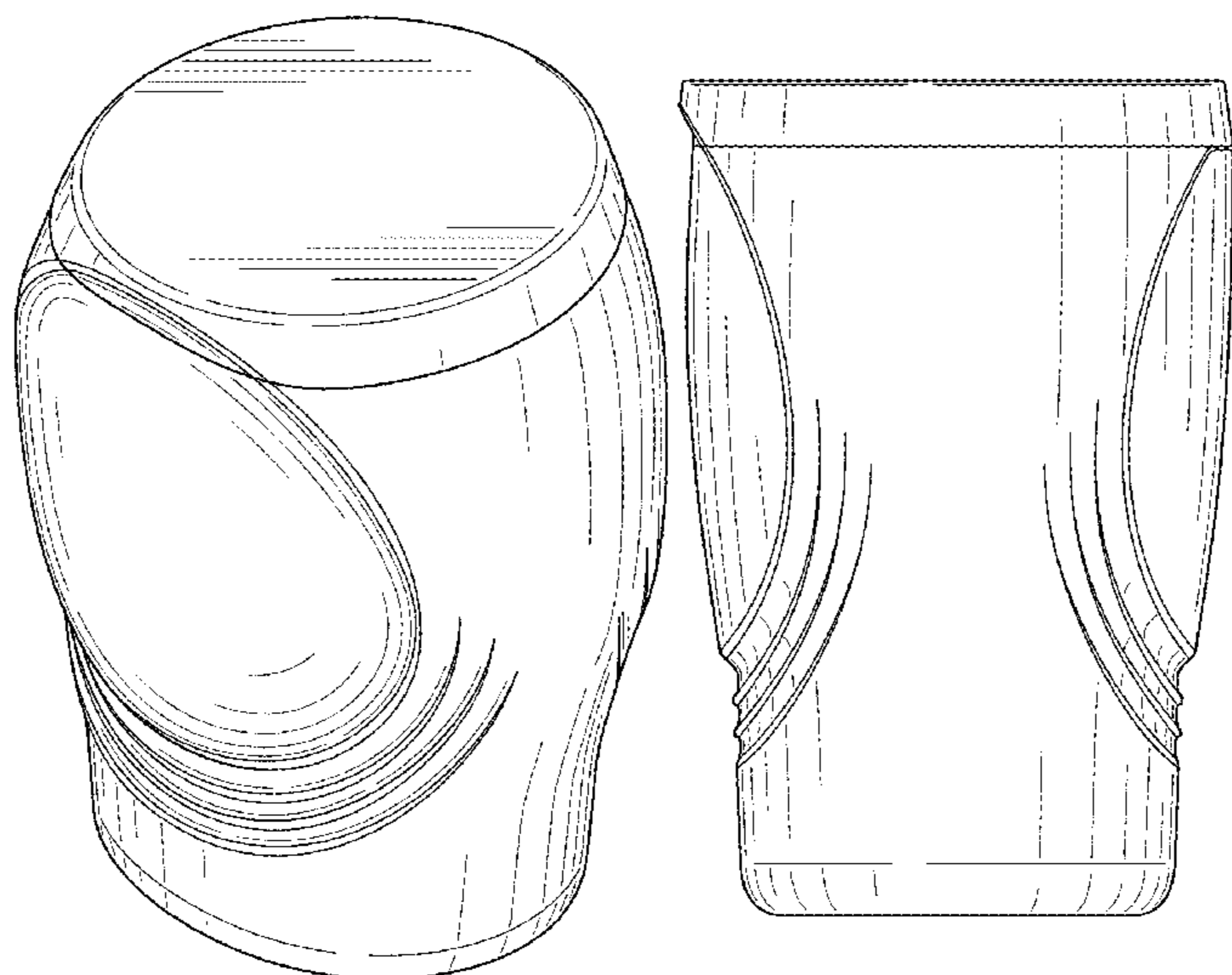
FIG. 5 is a level view of a left side of the product container of the present invention.

FIG. 6 is a top plan view of a top side of the product container of the present invention; and,

FIG. 7 is a bottom-up view of a bottom side of the product container of the present invention.

The broken lines shown illustrate portions of the product container that form no part of the claimed design.

1 Claim, 4 Drawing Sheets



(56)

References Cited

U.S. PATENT DOCUMENTS

D598,293	S	*	8/2009	Liu	D9/571
D601,899	S	*	10/2009	Davis	D9/529
D648,599	S	*	11/2011	Watanabe	D7/509
D677,573	S	*	3/2013	Papiernik	D9/571
D699,112	S	*	2/2014	Jung	D28/76
D745,400	S	*	12/2015	Canuto	D9/503
D768,494	S	*	10/2016	Li	D9/504
D782,320	S	*	3/2017	Juna	D9/571
D807,181	S	*	1/2018	Xie	D9/504
D812,479	S	*	3/2018	Li	D9/503
D835,993	S	*	12/2018	Briggs	D9/543
D851,493	S	*	6/2019	Mefford	D9/542
D871,143	S	*	12/2019	Hannigan	D7/509
D882,393	S	*	4/2020	Chong	D9/420
D886,619	S	*	6/2020	Braun	D9/529
D890,610	S	*	7/2020	Neubauer	D9/504
D891,865	S	*	8/2020	Han	D7/510

* cited by examiner



FIG. 1

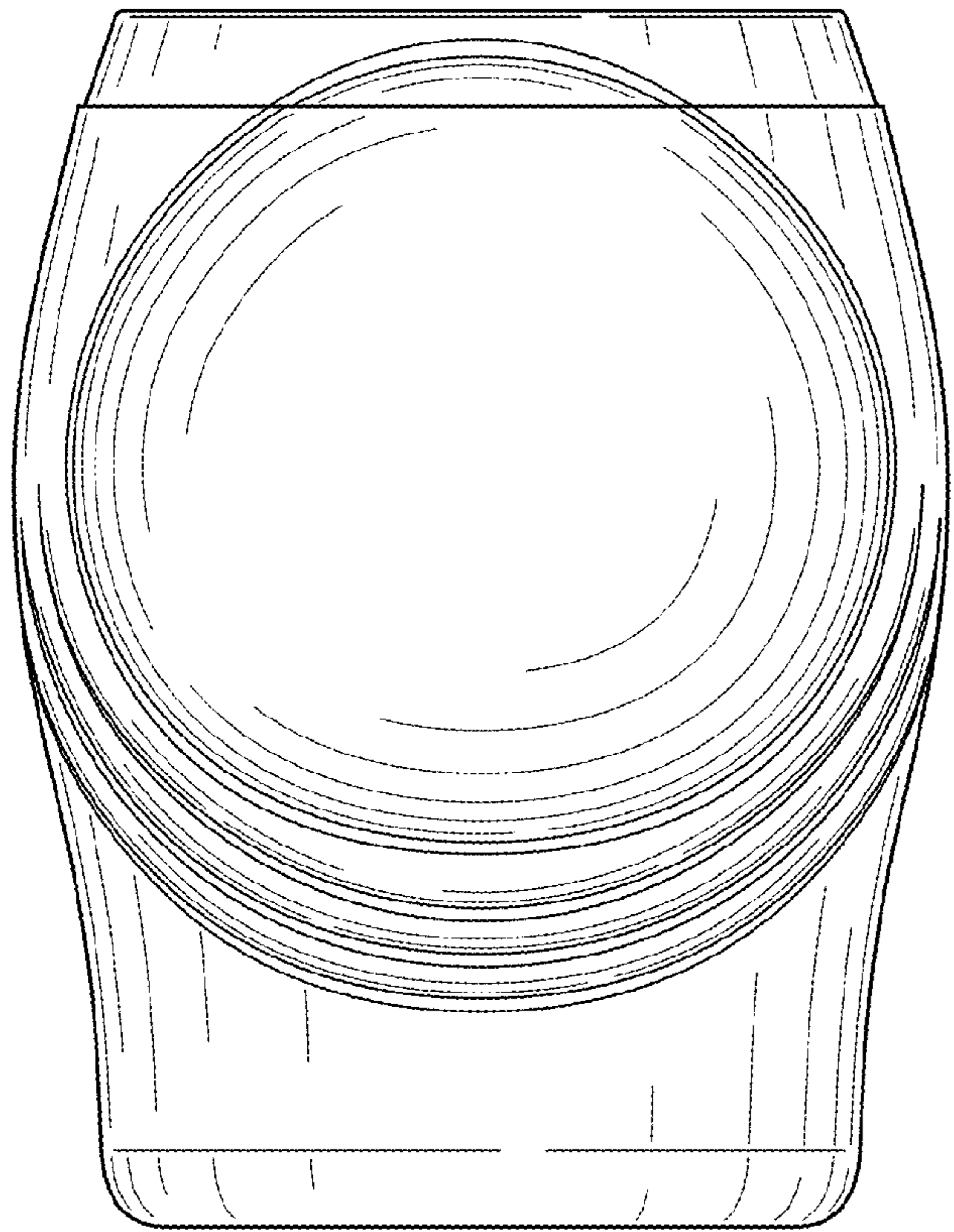


FIG. 2

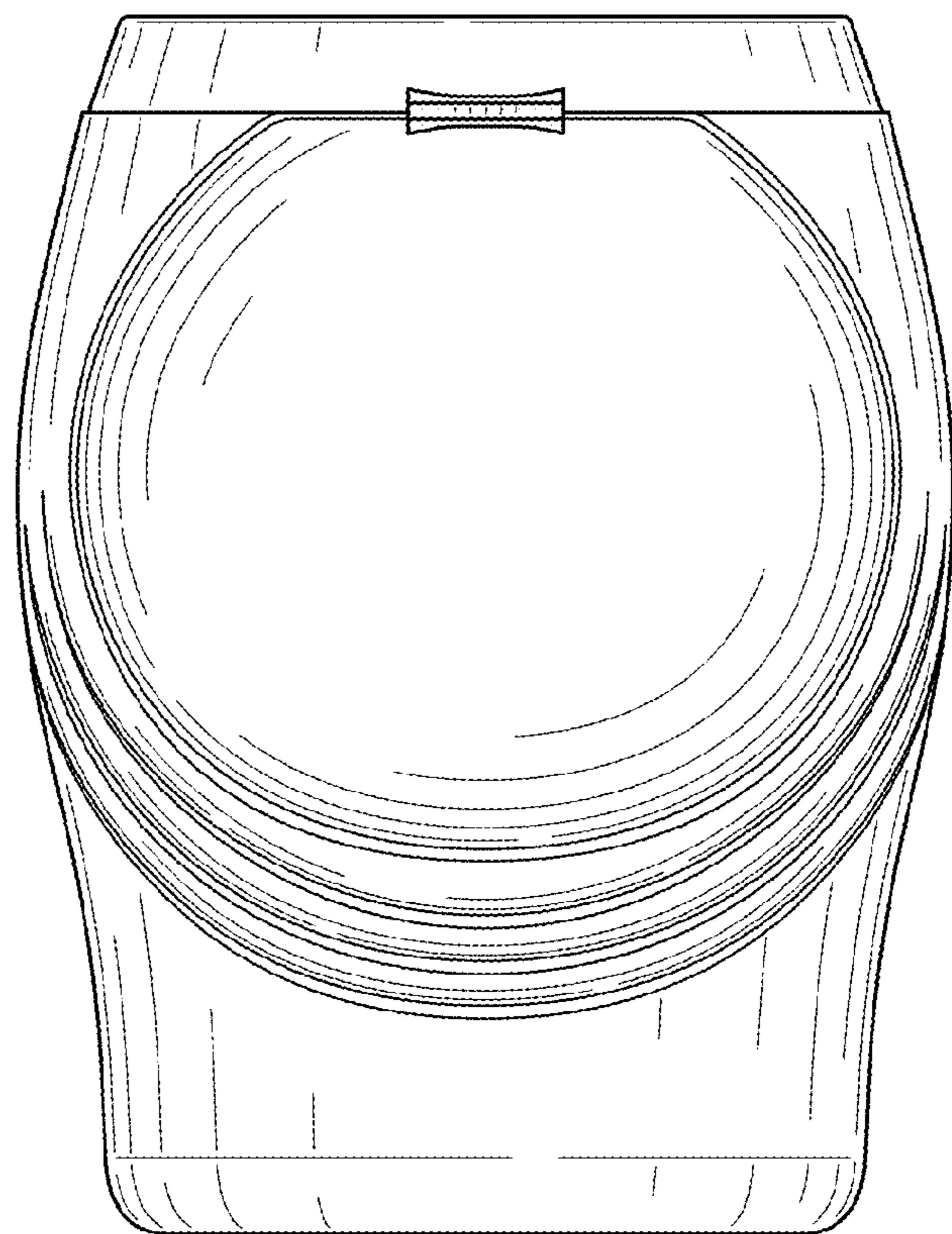


FIG. 3

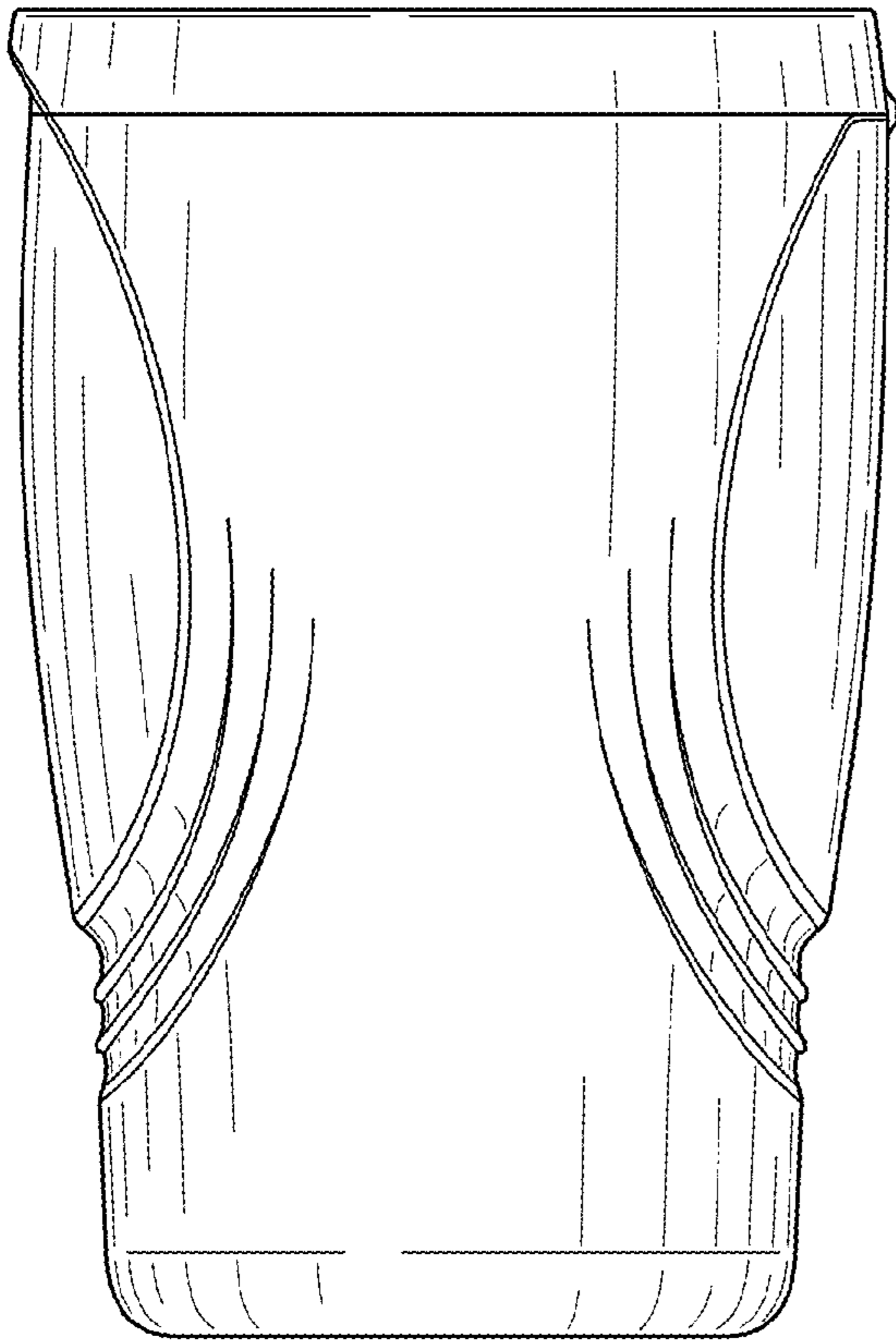


FIG. 4

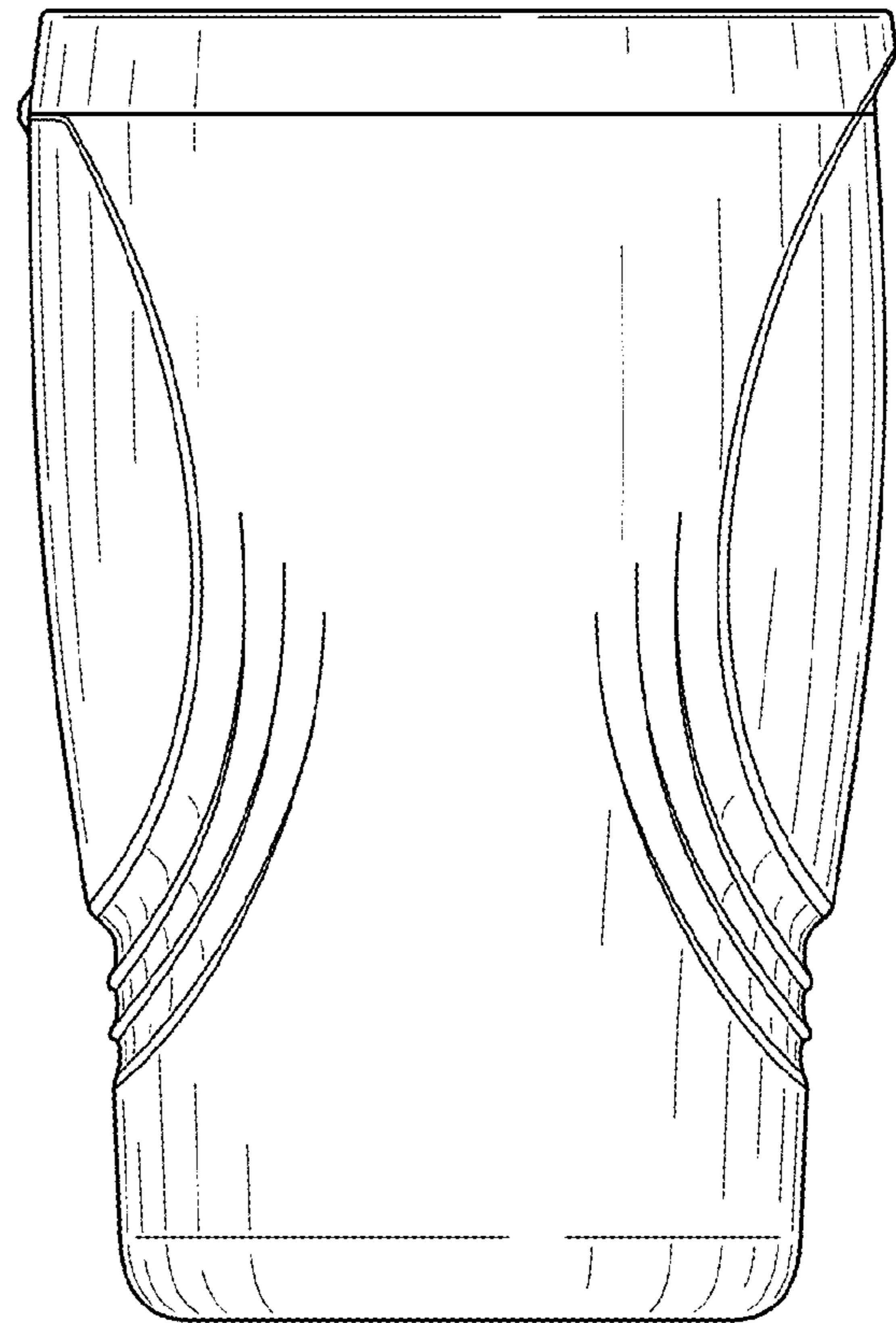


FIG. 5

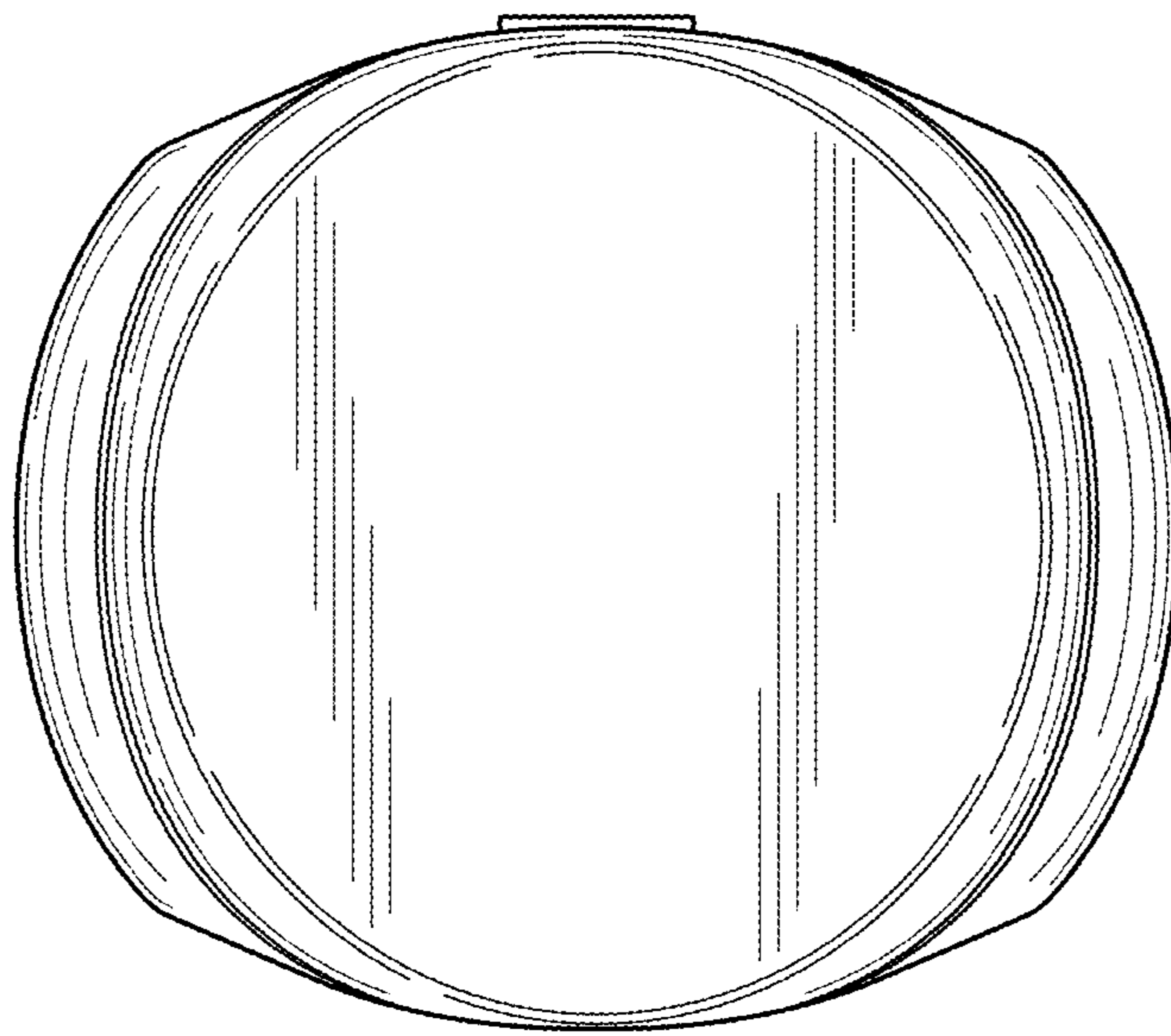


FIG. 6

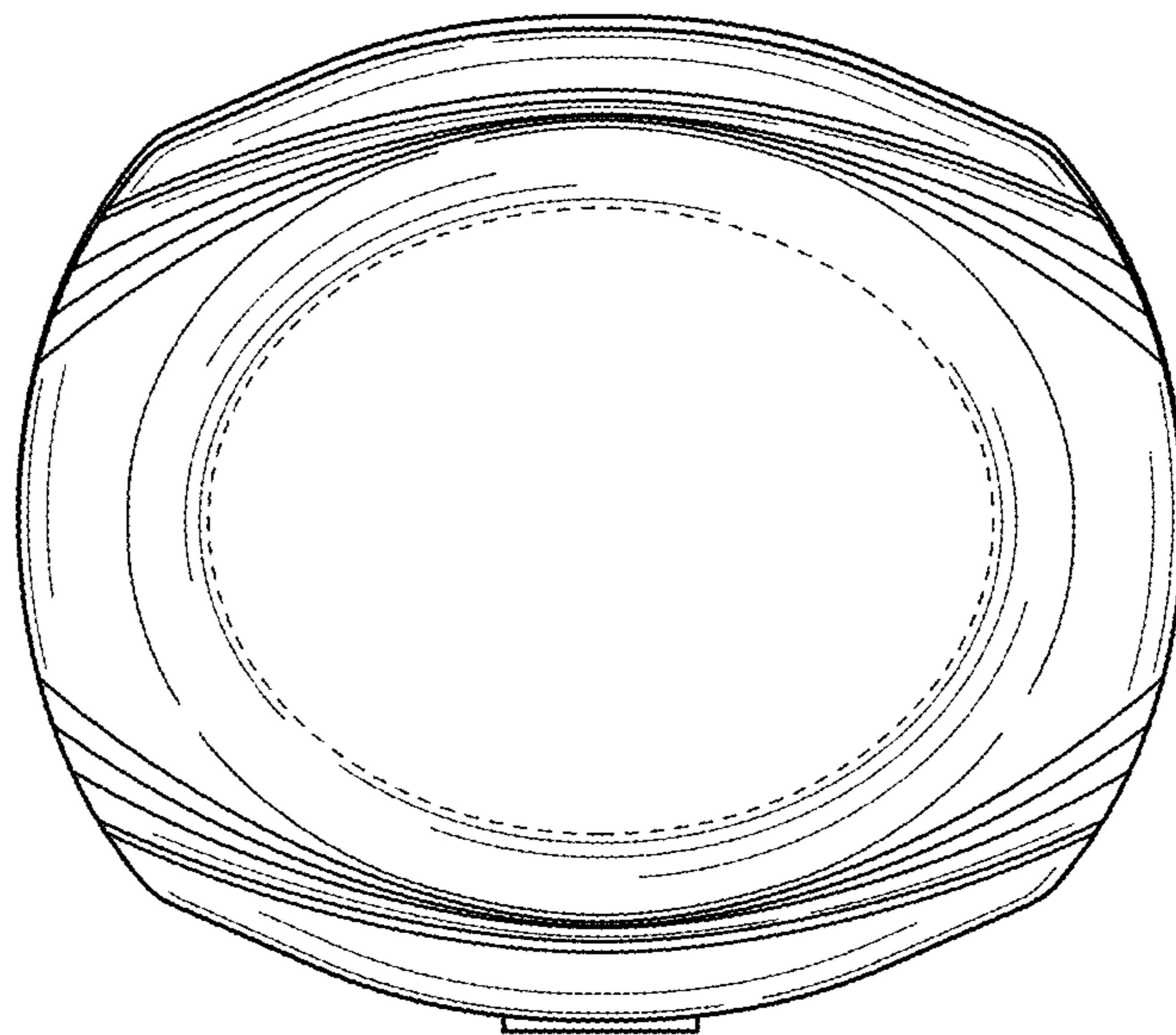


FIG. 7