



US00D901302S

(12) **United States Design Patent**
Sterling et al.

(10) **Patent No.:** **US D901,302 S**

(45) **Date of Patent:** **** Nov. 10, 2020**

(54) **CONTAINER**

(71) Applicant: **Henkel IP & Holding GmbH**,
Dusseldorf (DE)

(72) Inventors: **Daniel Peter Sterling**, Fairfield, CT
(US); **Ryan Joseph Boudreaux**,
Yorktown Heights, NY (US)

(73) Assignee: **Henkel IP & Holding GmbH** (DE)

(**) Term: **15 Years**

(21) Appl. No.: **29/731,205**

(22) Filed: **Apr. 13, 2020**

Related U.S. Application Data

(62) Division of application No. 29/674,201, filed on Dec.
20, 2018, now Pat. No. Des. 883,791.

(51) **LOC (12) Cl.** **09-01**

(52) **U.S. Cl.**
USPC **D9/528; D9/531; D9/563; D9/565**

(58) **Field of Classification Search**
USPC D9/434, 516, 523, 527-528, 530-531,
D9/543, 563, 565, 571, 575, 715, 719
CPC B65D 1/00; B65D 1/02; B65D 1/0223;
B65D 1/0261; B65D 1/0284; B65D 1/44;
B65D 23/00; B65D 23/10; B65D 23/102;
B65D 2501/00; B65D 2501/0009; B65D
2501/081

See application file for complete search history.

(56) **References Cited**

U.S. PATENT DOCUMENTS

D304,423 S * 11/1989 Beaver D9/528
D308,022 S * 5/1990 Mintz D9/523
D314,140 S * 1/1991 Kornick D7/319
D314,141 S * 1/1991 Kornick D9/443
D323,981 S * 2/1992 Satterfield D9/528

D358,333 S * 5/1995 Stockwell D9/528
D424,946 S * 5/2000 Alsup D9/528
D432,016 S * 10/2000 Beaver D9/528
D527,268 S * 8/2006 Kitamura D9/528
D531,908 S * 11/2006 Mayers D9/531
D549,580 S * 8/2007 Bates D9/528
D550,560 S * 9/2007 Bates D9/528
D555,482 S * 11/2007 Bates D9/528
D565,414 S * 4/2008 Bates D9/528
D571,217 S * 6/2008 Bates D9/528
D578,006 S * 10/2008 Houck D9/531
D582,776 S * 12/2008 Cardinal D9/528
D621,713 S * 8/2010 Wilkum D9/528
D657,681 S * 4/2012 Manderfield, Jr. D9/528
D683,224 S * 5/2013 Leslie D9/436
D684,061 S * 6/2013 Leslie D9/528
D685,642 S * 7/2013 Leslie D9/528
D726,015 S * 4/2015 Jasso Gomez D9/531
D726,016 S * 4/2015 Janney D9/531
D726,017 S * 4/2015 Janney D9/531

(Continued)

Primary Examiner — Dana Meyrow

(74) *Attorney, Agent, or Firm* — Bojuan Deng

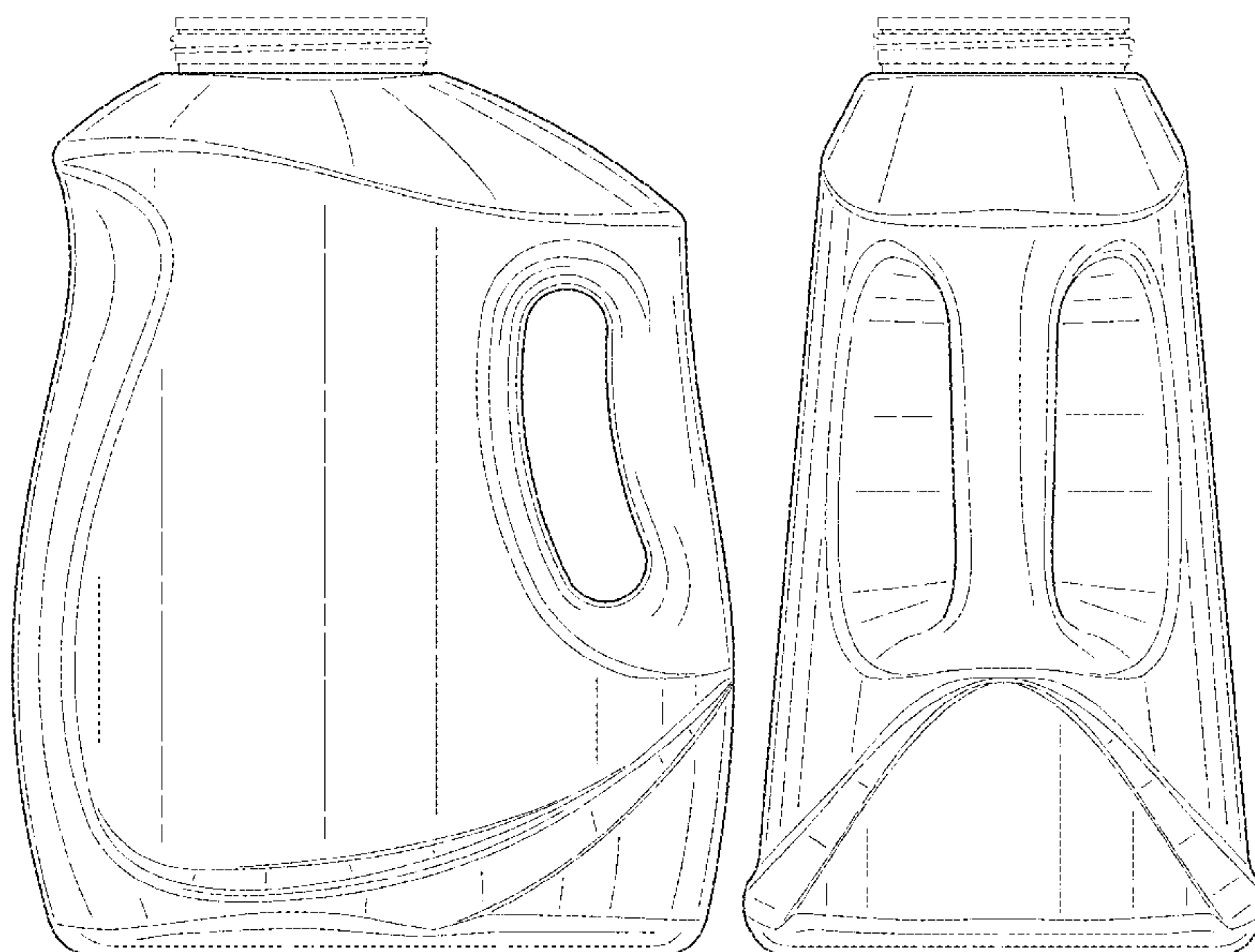
(57) **CLAIM**

The ornamental design for container, as shown and described.

DESCRIPTION

FIG. 1 is a front perspective view of a container embodying the new design;
FIG. 2 is a front side elevation view thereof;
FIG. 3 is a rear side elevation view thereof;
FIG. 4 is a right side elevation view thereof;
FIG. 5 is a left side elevation view thereof;
FIG. 6 is a top plan view thereof; and,
FIG. 7 is a bottom plan view thereof.
The broken lines are included for the purpose of illustrating the portions of the container that form no part of the claimed design.

1 Claim, 7 Drawing Sheets



(56)

References Cited

U.S. PATENT DOCUMENTS

D883,791 S * 5/2020 Sterling D9/528
D883,792 S * 5/2020 Sterling D9/528
D884,479 S * 5/2020 Hall D9/528

* cited by examiner

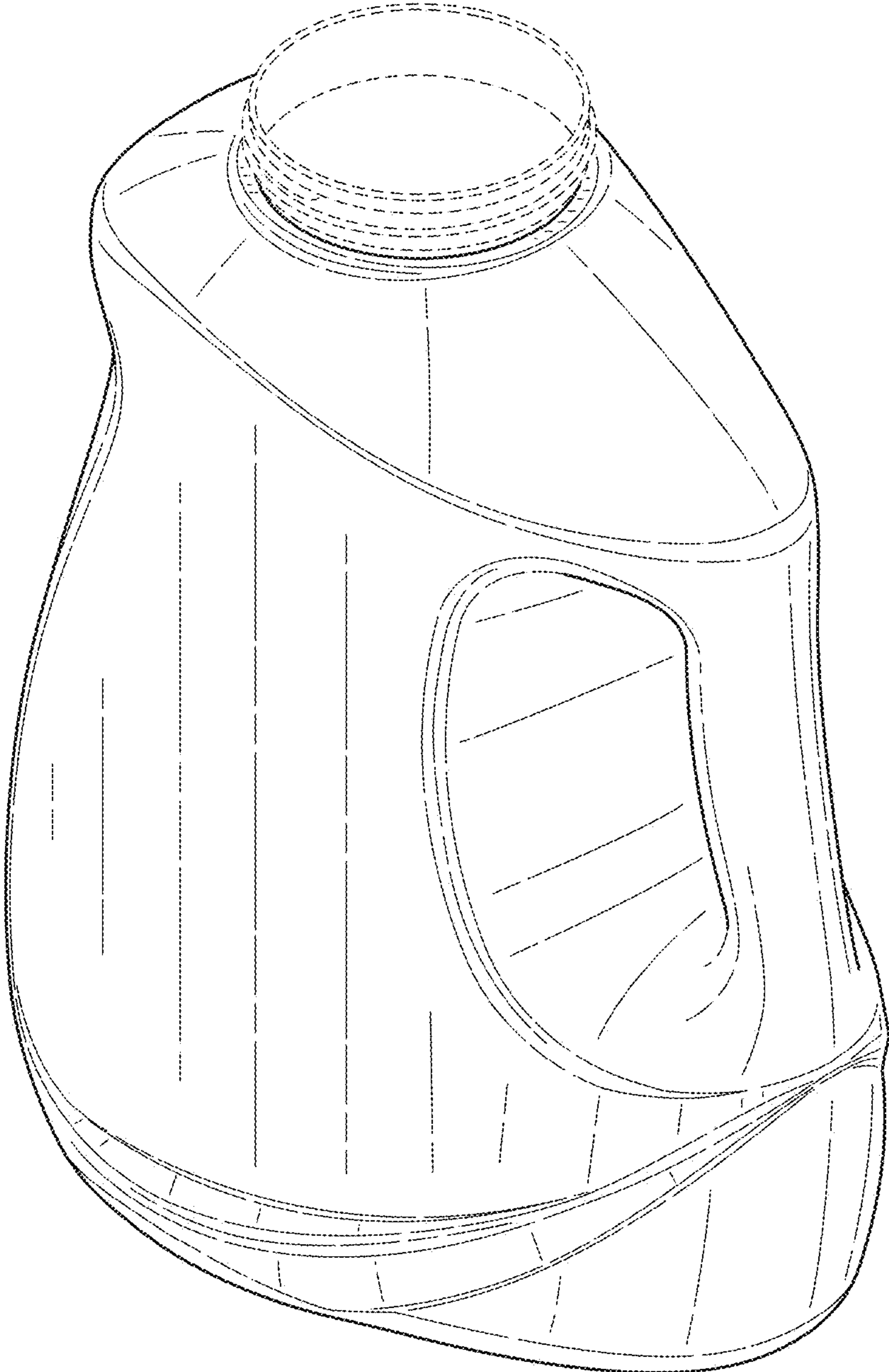


FIG. 1

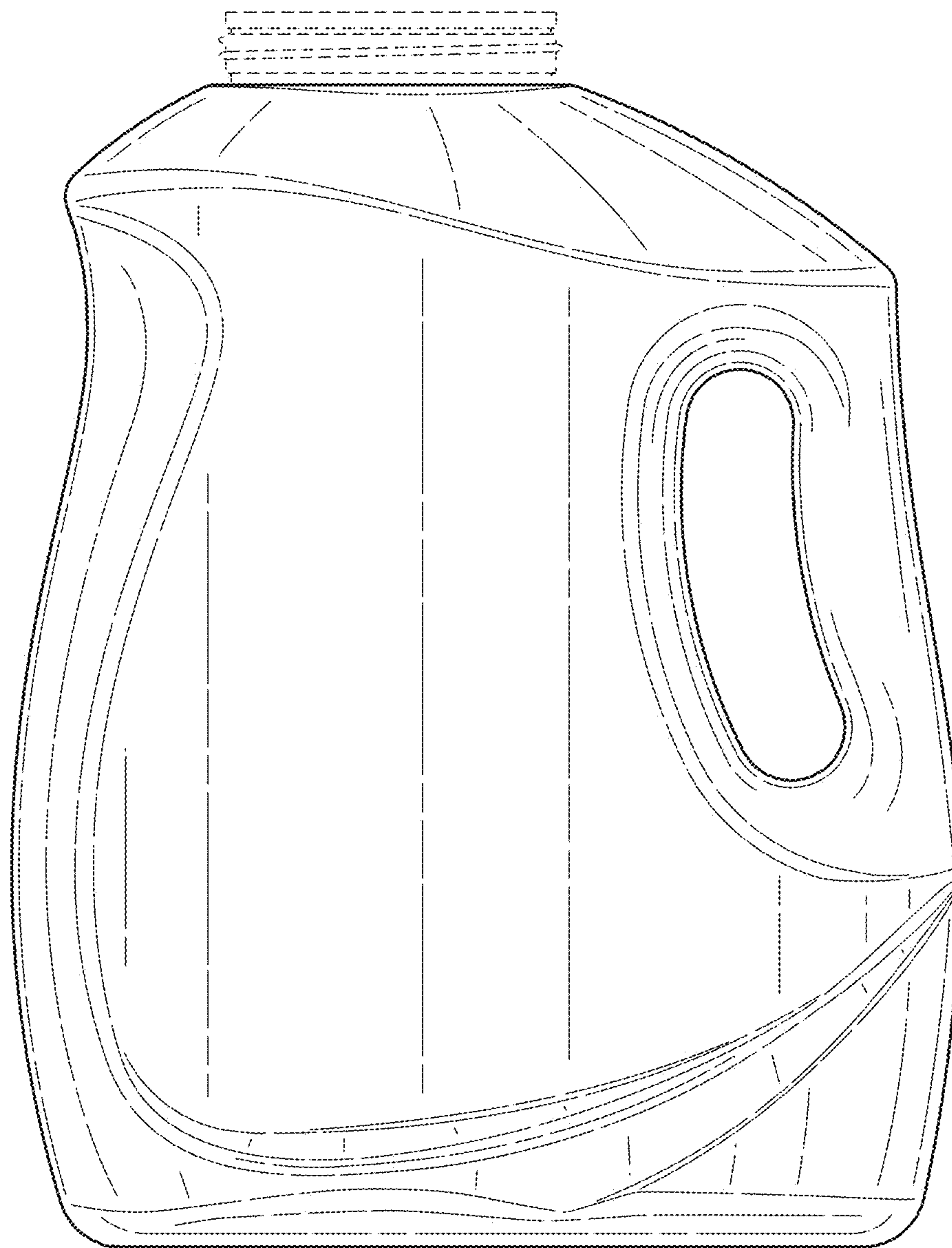


FIG. 2

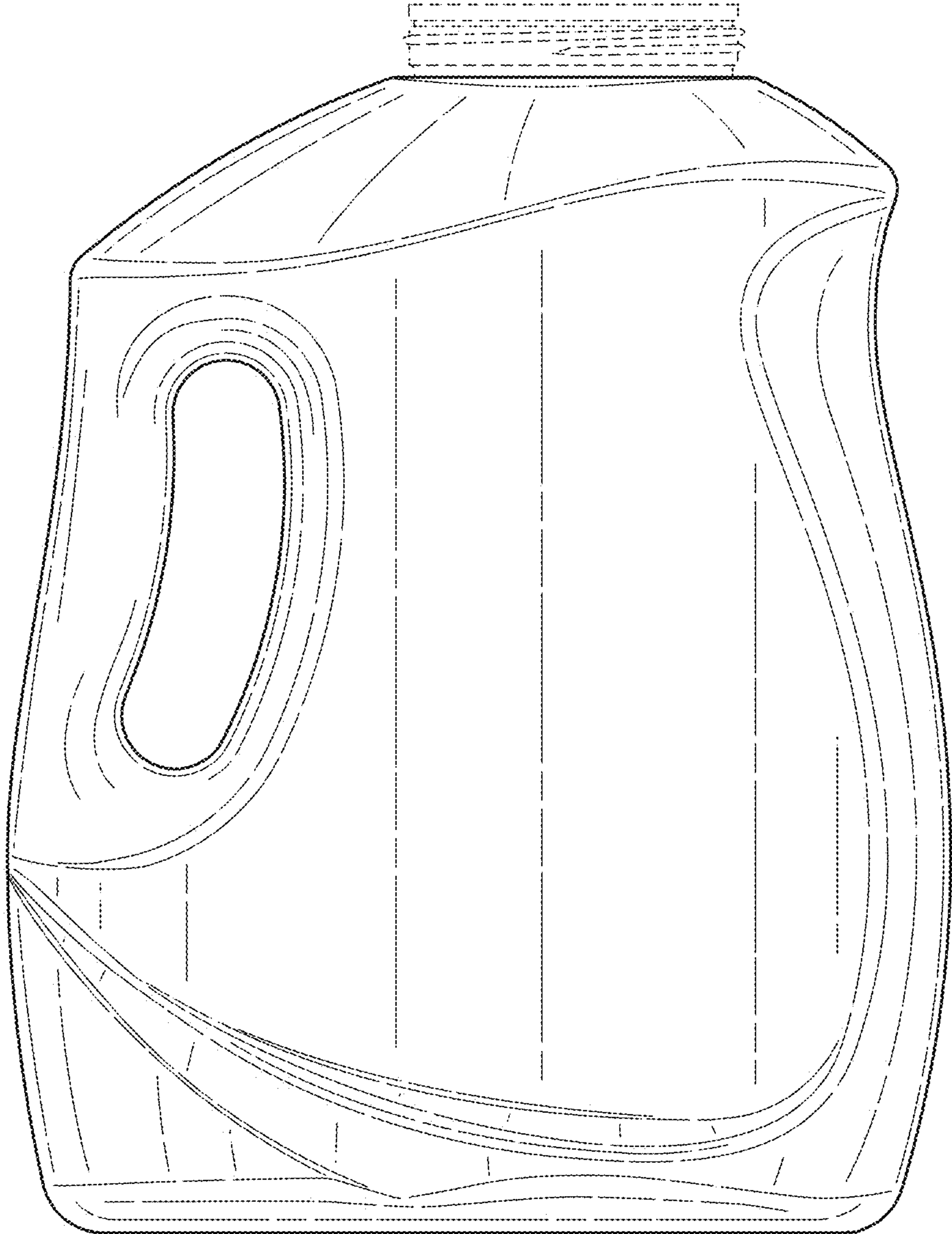


FIG. 3

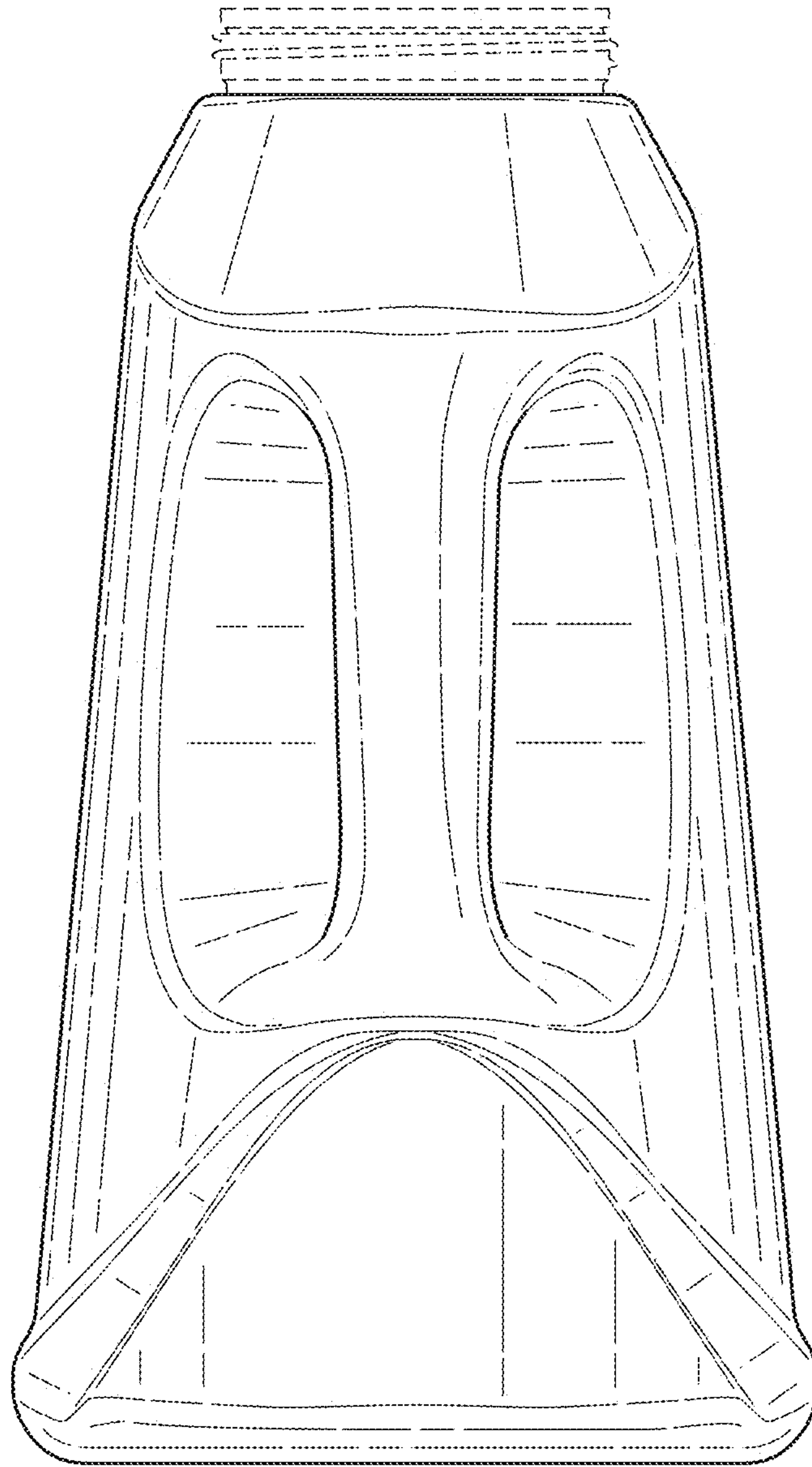


FIG. 4

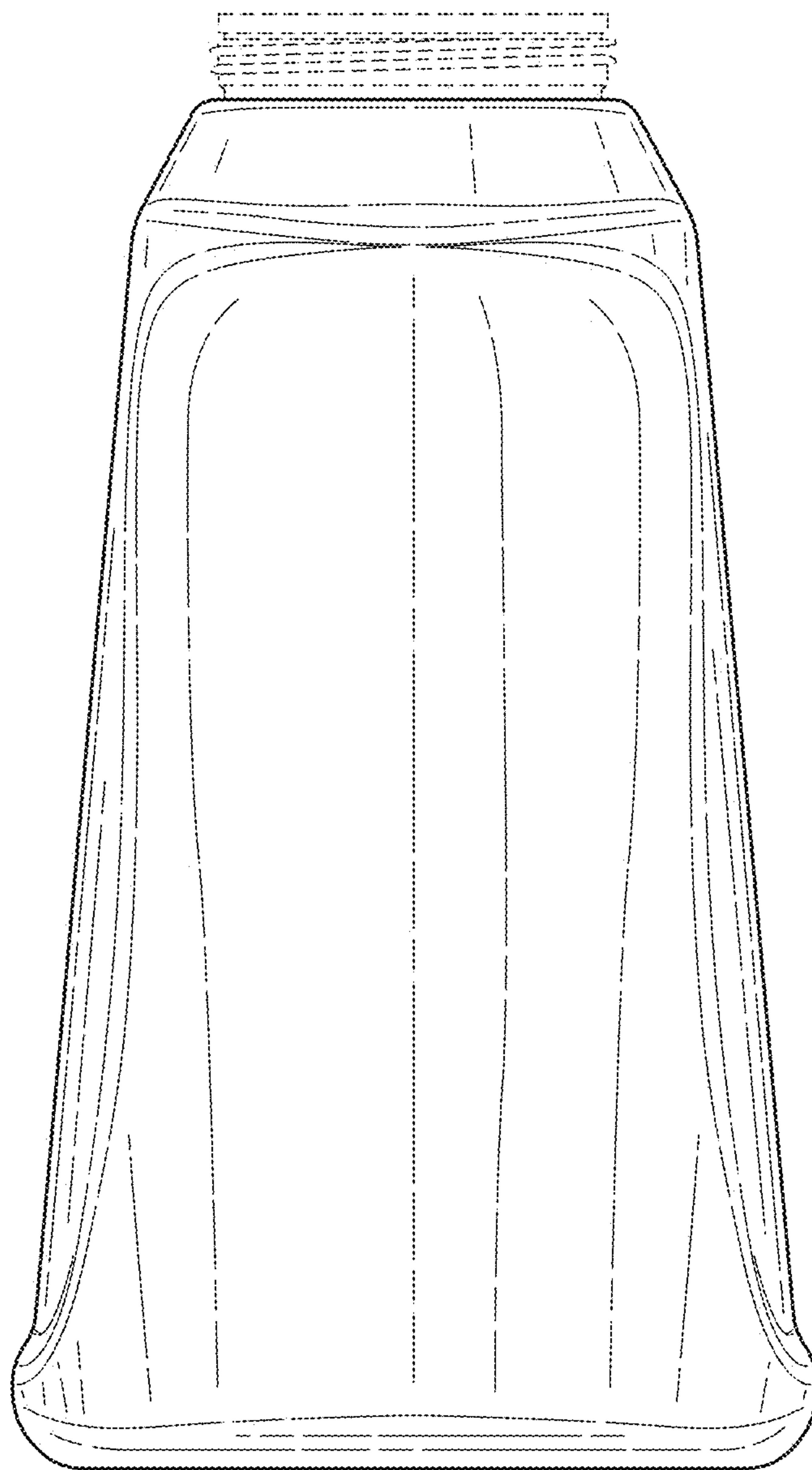


FIG. 5

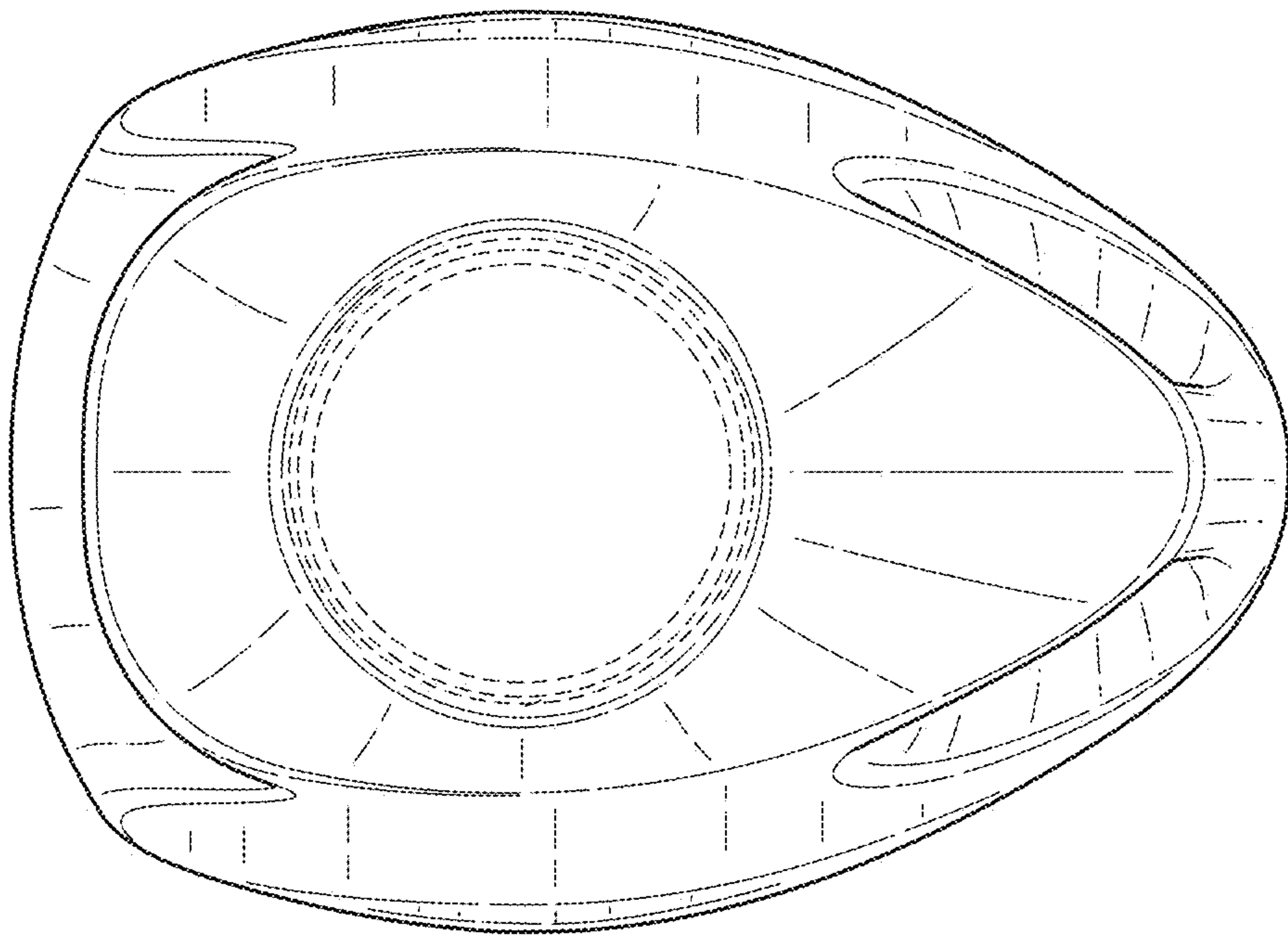


FIG. 6

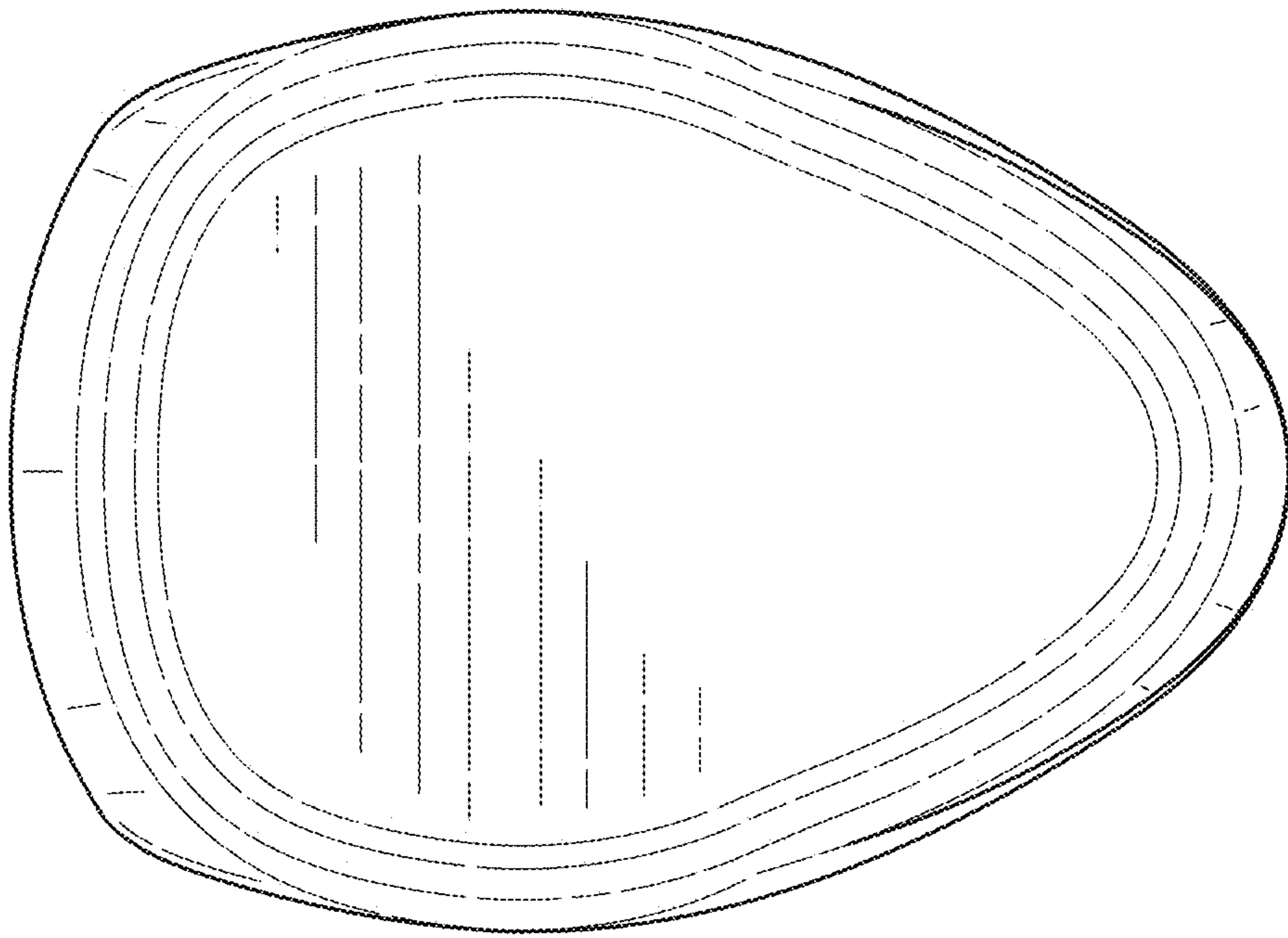


FIG. 7