



US00D901297S

(12) **United States Design Patent** (10) **Patent No.:** **US D901,297 S**
Hudson et al. (45) **Date of Patent:** **** Nov. 10, 2020**

(54) **LID FOR A STORAGE CONTAINER**

(56) **References Cited**

(71) Applicant: **SWIMC, LLC**, Cleveland, OH (US)

U.S. PATENT DOCUMENTS

(72) Inventors: **Richard D. Hudson**, North Olmsted, OH (US); **James J. Johnson**, Akron, OH (US); **Gustavo A. Morales**, Brunswick, OH (US); **Edward Ray Goodwin, Jr.**, Westlake, OH (US); **Michael C. Lambertson, Jr.**, Aurora, OH (US); **Charles T. Buckel, Jr.**, Valley City, OH (US)

D248,370 S 7/1978 Beekenkamp
D266,450 S 10/1982 Swett
D268,810 S 5/1983 Hartung
D269,303 S 6/1983 Goetz
D321,317 S 11/1991 Sherman
D333,065 S 2/1993 Murphy
D336,817 S 6/1993 Wilcox
D340,189 S 10/1993 Fletcher
D347,578 S 6/1994 Curzon

(Continued)

(73) Assignee: **THE SHERWIN-WILLIAMS COMPANY**, Cleveland, OH (US)

Primary Examiner — Shannon W Morgan

Assistant Examiner — Keith Frank

(**) Term: **15 Years**

(74) *Attorney, Agent, or Firm* — Tucker Ellis LLP

(21) Appl. No.: **29/728,414**

(57) **CLAIM**

The ornamental design of a lid for a storage container, as shown and described.

(22) Filed: **Mar. 18, 2020**

DESCRIPTION

Related U.S. Application Data

(63) Continuation of application No. 29/669,999, filed on Nov. 13, 2018, now Pat. No. Des. 882,404, which is a continuation of application No. 29/630,792, filed on Dec. 22, 2017, now Pat. No. Des. 840,819, which is a continuation of application No. 29/573,849, filed on Aug. 10, 2016, now Pat. No. Des. 815,534.

FIG. 1 is a top perspective view of a lid for a storage container showing our new design;
FIG. 2 is a bottom perspective view of a lid for a storage container illustrated in FIG. 1;
FIG. 3 is front elevation view thereof;
FIG. 4 is a rear elevation view thereof;
FIG. 5 is a left side elevation view thereof;
FIG. 6 is a right side elevation view thereof;
FIG. 7 is a top plan view thereof; and,
FIG. 8 is a bottom plan view thereof.

(51) **LOC (12) Cl.** **09-07**

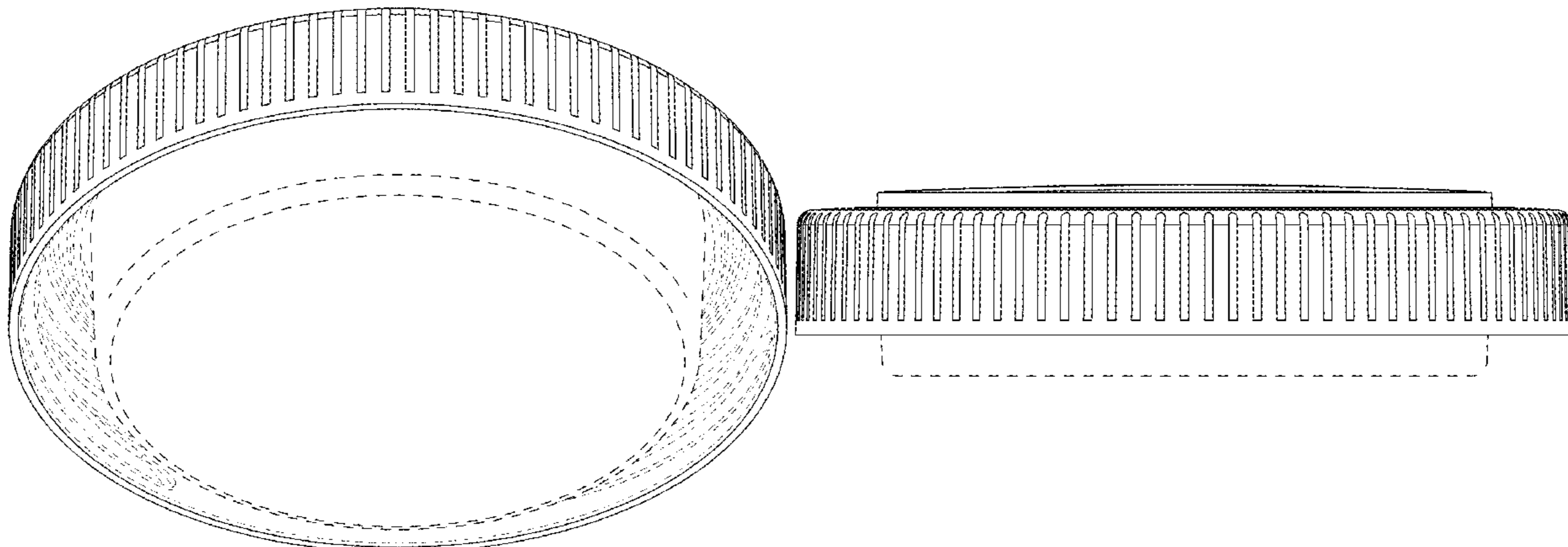
(52) **U.S. Cl.**
USPC **D9/454**

(58) **Field of Classification Search**
USPC D7/598, 600; D9/443, 454, 516, D9/522-524, 526-528, 530-533, 537, D9/540, 544, 545, 549, 575, 715, 719, D9/741-745; D32/53, 53.1, 54; D23/211, 211.1, 212
CPC B44D 3/12; B65D 25/32; B65D 21/0231; B65D 23/102; B65D 47/06
See application file for complete search history.

The evenly spaced and dashed lines in the drawings showing the lid for a storage container illustrate the portions of the lid for a storage container that form no part of the claimed design.

The dash-dot-dash lines in the drawings represent boundary lines between claimed and unclaimed areas of the storage container.

1 Claim, 5 Drawing Sheets



(56)

References Cited

U.S. PATENT DOCUMENTS

D355,365 S 2/1995 Charbonneau
 D367,201 S 2/1996 Joergensen
 D370,153 S 5/1996 Chaney
 5,549,216 A 8/1996 Scholl
 5,564,525 A 10/1996 Dunnegan
 D378,494 S 3/1997 Miller
 5,669,526 A 9/1997 Keyfauber
 5,727,708 A 3/1998 Erickson
 D394,184 S 5/1998 Demore
 D398,663 S 9/1998 Freelandier
 5,855,304 A 1/1999 Dean
 D431,472 S 10/2000 Cain
 D458,514 S 6/2002 Dorion
 D460,845 S 7/2002 Bergman
 D479,802 S 9/2003 Arduini
 6,708,838 B2 3/2004 Bergman
 D505,076 S 5/2005 Logan
 6,983,862 B2 1/2006 Nottingham
 D545,618 S * 7/2007 Zettle D7/391
 D548,603 S 8/2007 Young
 D550,090 S 9/2007 Meeker
 D563,229 S 3/2008 Dowel
 D567,086 S * 4/2008 Buchman D9/453
 D573,475 S 7/2008 Nottingham
 D608,195 S 1/2010 Germann
 D610,856 S 3/2010 Hoffman
 7,703,641 B2 4/2010 Bravo
 D615,860 S 5/2010 Cero, Jr.
 D623,954 S 9/2010 Hawry
 D630,475 S 1/2011 Lu
 D643,694 S 8/2011 Lu
 D653,548 S 2/2012 Wycoff
 D652,305 S 7/2012 Yourist
 D680,431 S 4/2013 Hopkins
 D684,813 S 6/2013 Eyal
 D691,052 S 10/2013 Minghetti

D708,009 S 7/2014 Gillette
 D708,010 S 7/2014 Gillette
 D712,740 S 9/2014 Antal
 D715,590 S 10/2014 Mangano
 D722,885 S 2/2015 Mooney
 D728,298 S 5/2015 Ma
 D739,233 S 9/2015 Antal, Sr.
 D742,065 S 10/2015 Liedel
 D742,241 S 11/2015 Shell-Schnitzer
 D744,186 S 11/2015 Gringer
 D749,948 S 2/2016 Groglopo Favetto
 D751,913 S 3/2016 Seecof
 9,290,310 B2 3/2016 Sinn
 D758,859 S 6/2016 Sorensen
 9,446,884 B2 9/2016 McGinley
 D783,917 S 4/2017 Gringer
 D793,325 S * 8/2017 Platto D12/213
 D794,445 S 8/2017 Yourist
 D795,008 S 8/2017 Eyal
 D800,565 S 10/2017 Bonaventura
 D803,138 S 11/2017 Fretz
 D806,543 S 1/2018 Finkbohner
 D826,511 S * 8/2018 Ching D34/39
 D839,738 S * 2/2019 Hudson D9/454
 D844,432 S * 4/2019 Bliss D9/443
 D869,898 S * 12/2019 Hannigan D7/392.1
 D875,527 S * 2/2020 Sterling D9/453
 D876,175 S * 2/2020 Barrett D7/629
 D876,888 S * 3/2020 Pola D7/392.1
 D878,166 S * 3/2020 Rane D7/629
 D885,903 S * 6/2020 Rane D9/453
 D887,793 S * 6/2020 Rane D7/630
 D888,508 S * 6/2020 Rane D7/630
 D888,509 S * 6/2020 Rane D7/630
 2007/0187412 A1 8/2007 Gruskin
 2007/0187413 A1 8/2007 Gruskin
 2007/0187420 A1 8/2007 Gruskin
 2007/0261983 A1 11/2007 Flanagan-Kent

* cited by examiner

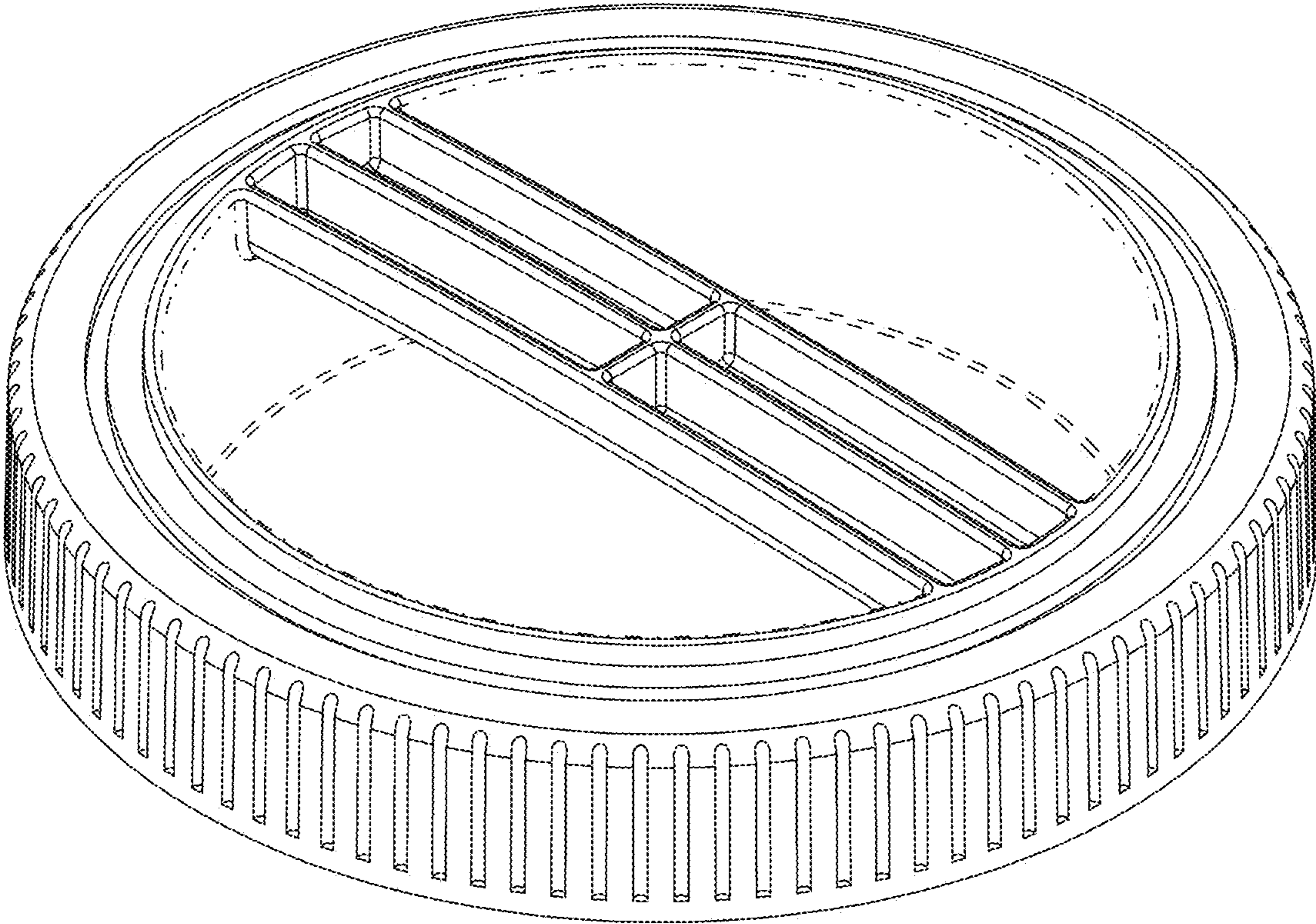


FIG. 1

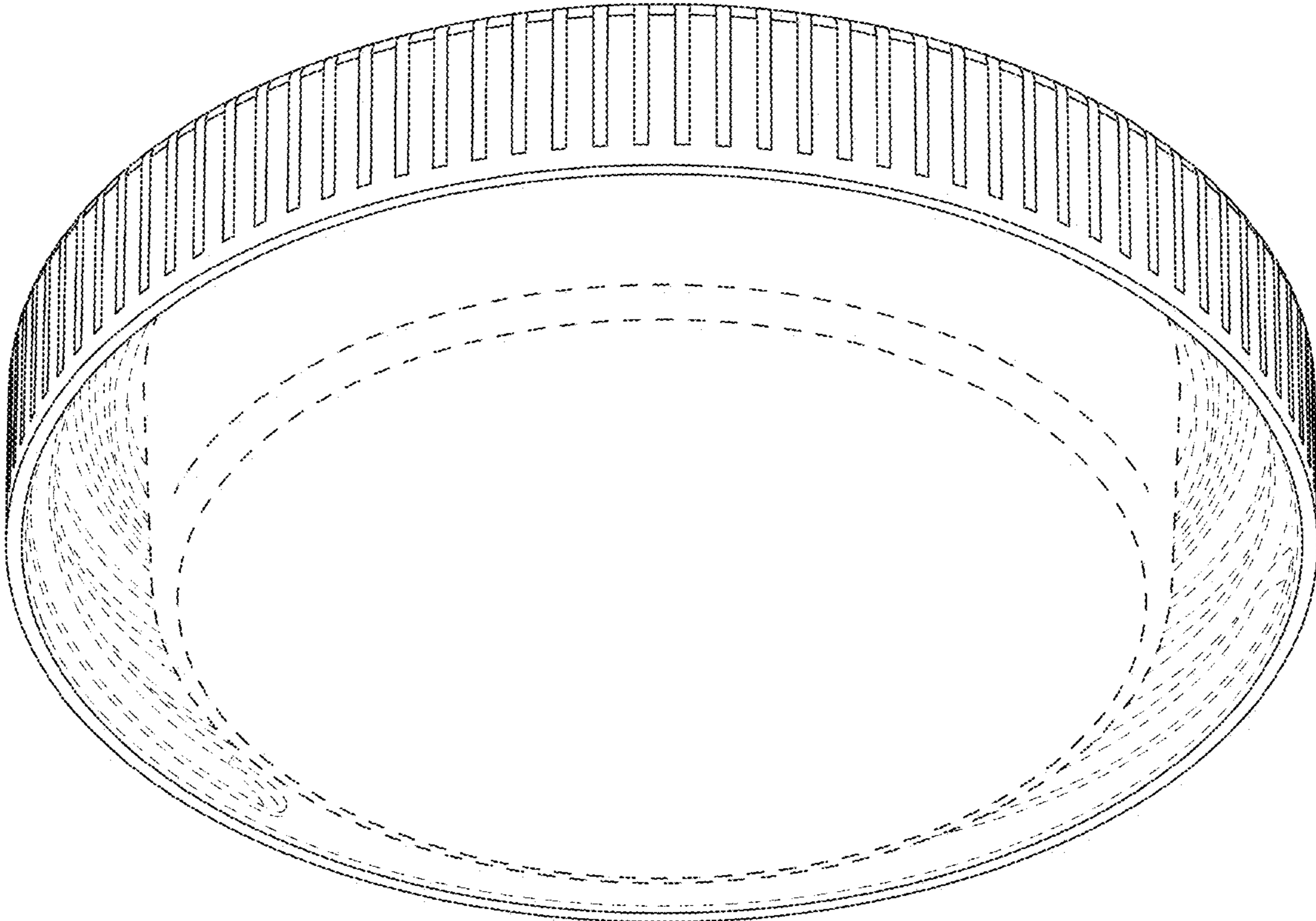


FIG. 2

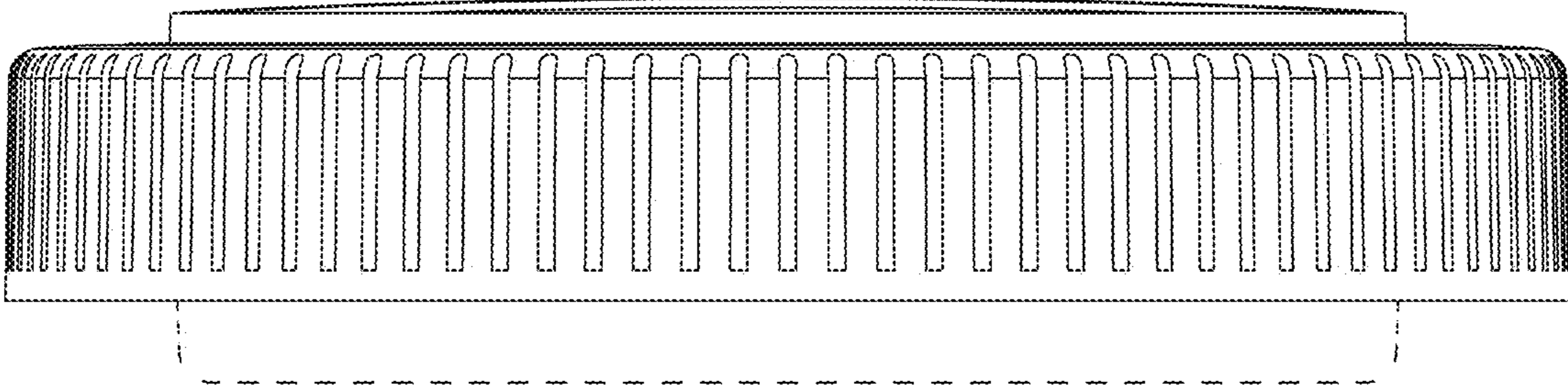


FIG. 3

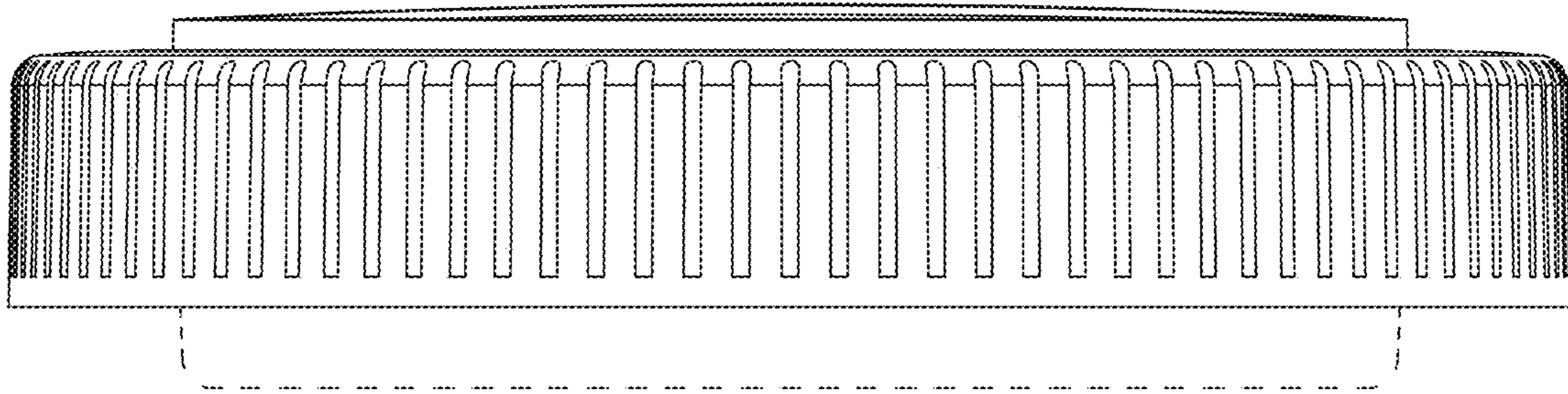


FIG. 4

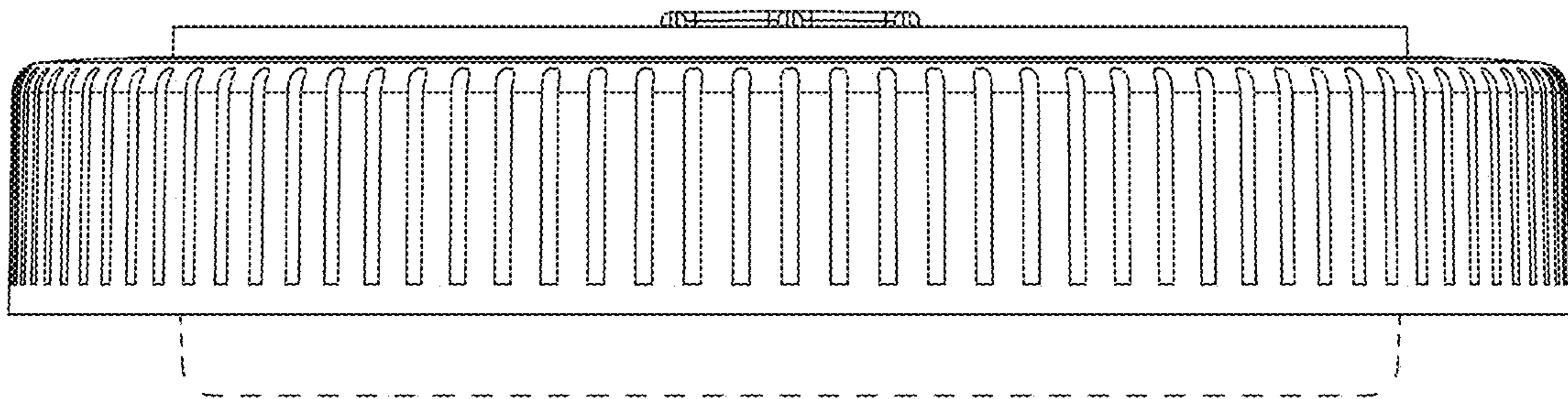


FIG. 5

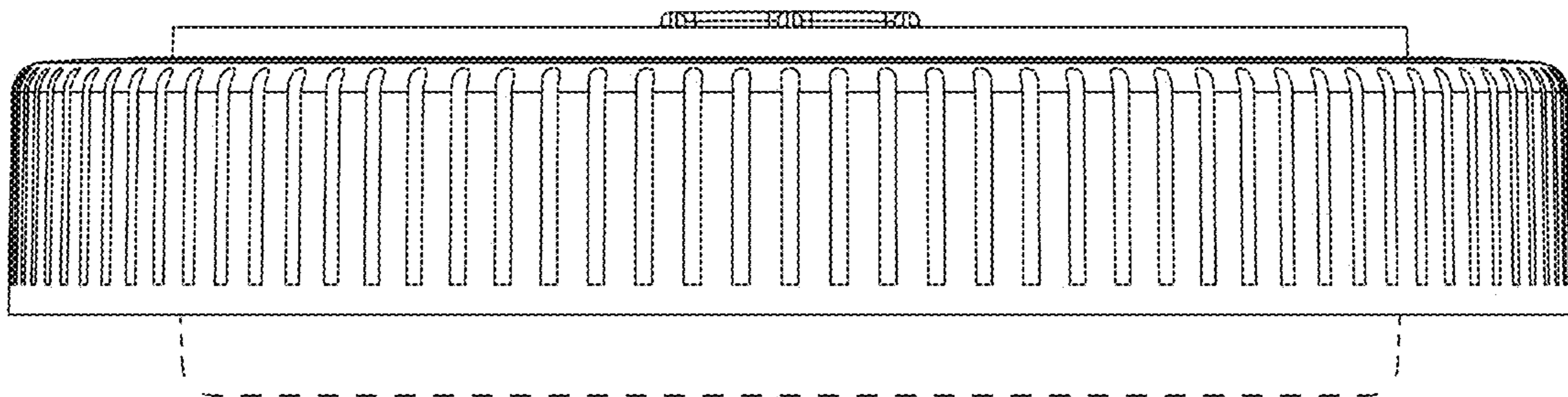


FIG. 6

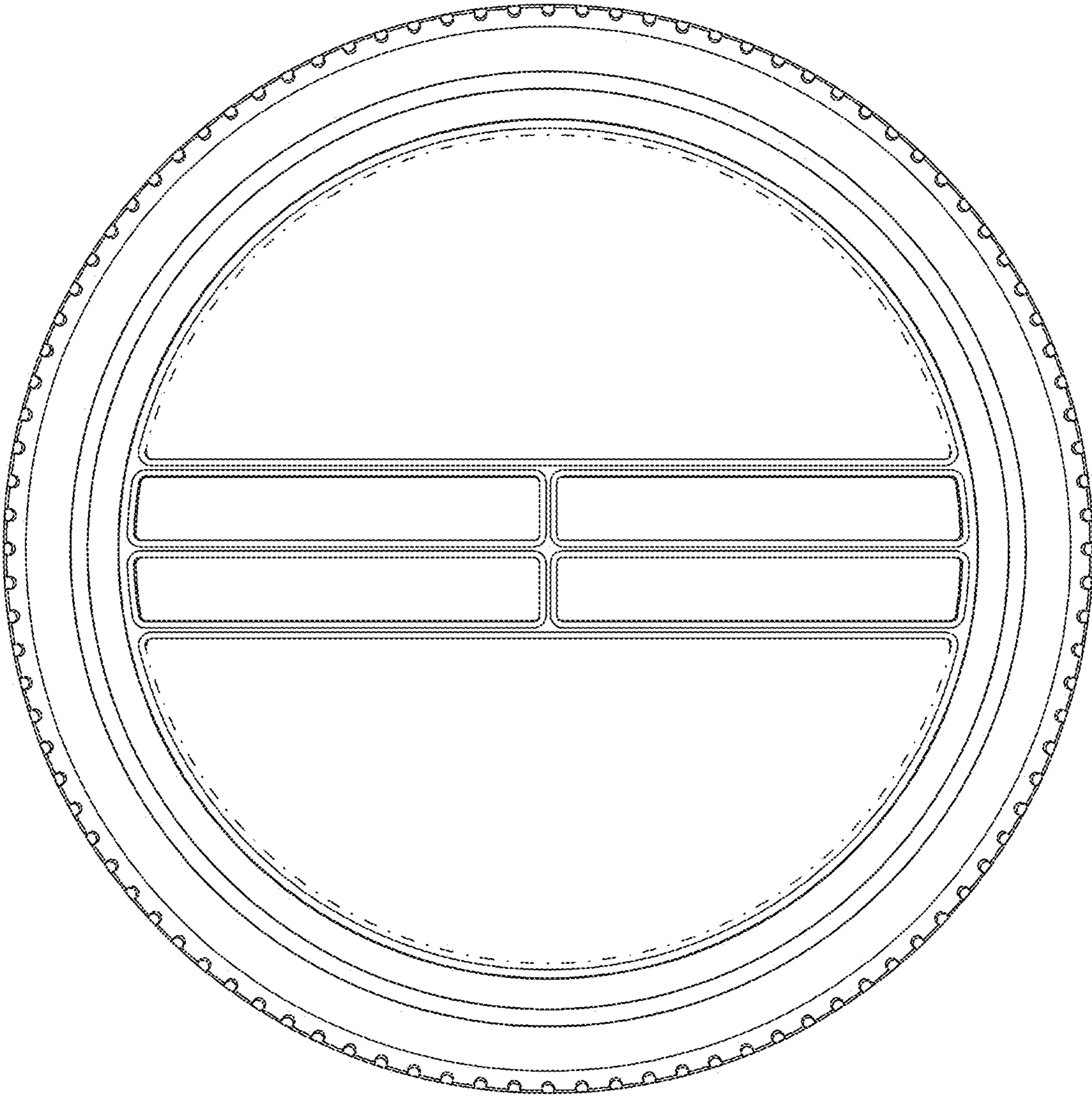


FIG. 7

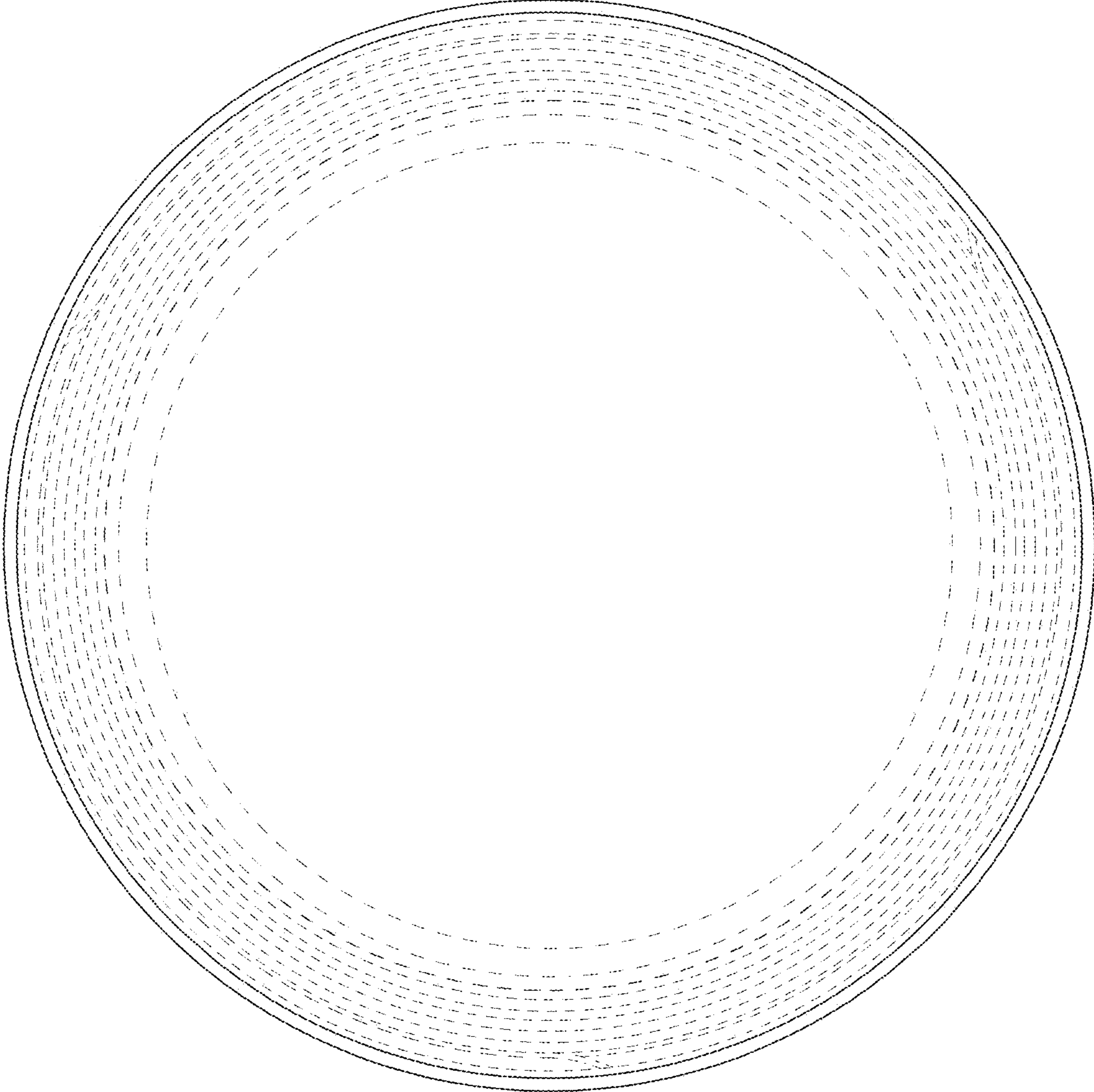


FIG. 8