



US00D901296S

(12) **United States Design Patent**
Moore

(10) **Patent No.:** **US D901,296 S**

(45) **Date of Patent:** **** Nov. 10, 2020**

(54) **CAP**

(71) Applicant: **Janeil Enterprises, LLC**, Amherst, OH (US)

(72) Inventor: **Neil Moore**, Columbus, OH (US)

(73) Assignee: **Janeil Enterprises, LLC**, Amherst, OH (US)

(**) Term: **15 Years**

(21) Appl. No.: **29/673,116**

(22) Filed: **Dec. 12, 2018**

(51) **LOC (12) Cl.** **09-07**

(52) **U.S. Cl.**
USPC **D9/435; D9/453**

(58) **Field of Classification Search**
USPC D3/10, 13, 17; D6/672, 677; D7/300, D7/317, 321, 387, 388.391, 392, 396.1,
(Continued)

(56) **References Cited**

U.S. PATENT DOCUMENTS

373,597 A 11/1887 McMicken
1,081,210 A 12/1913 Churchill
(Continued)

FOREIGN PATENT DOCUMENTS

CN 100514115 C 7/2009
GB 2337338 A 11/1999
KR 200304852 Y1 2/2003

Primary Examiner — Catherine S Posthauer

(57) **CLAIM**

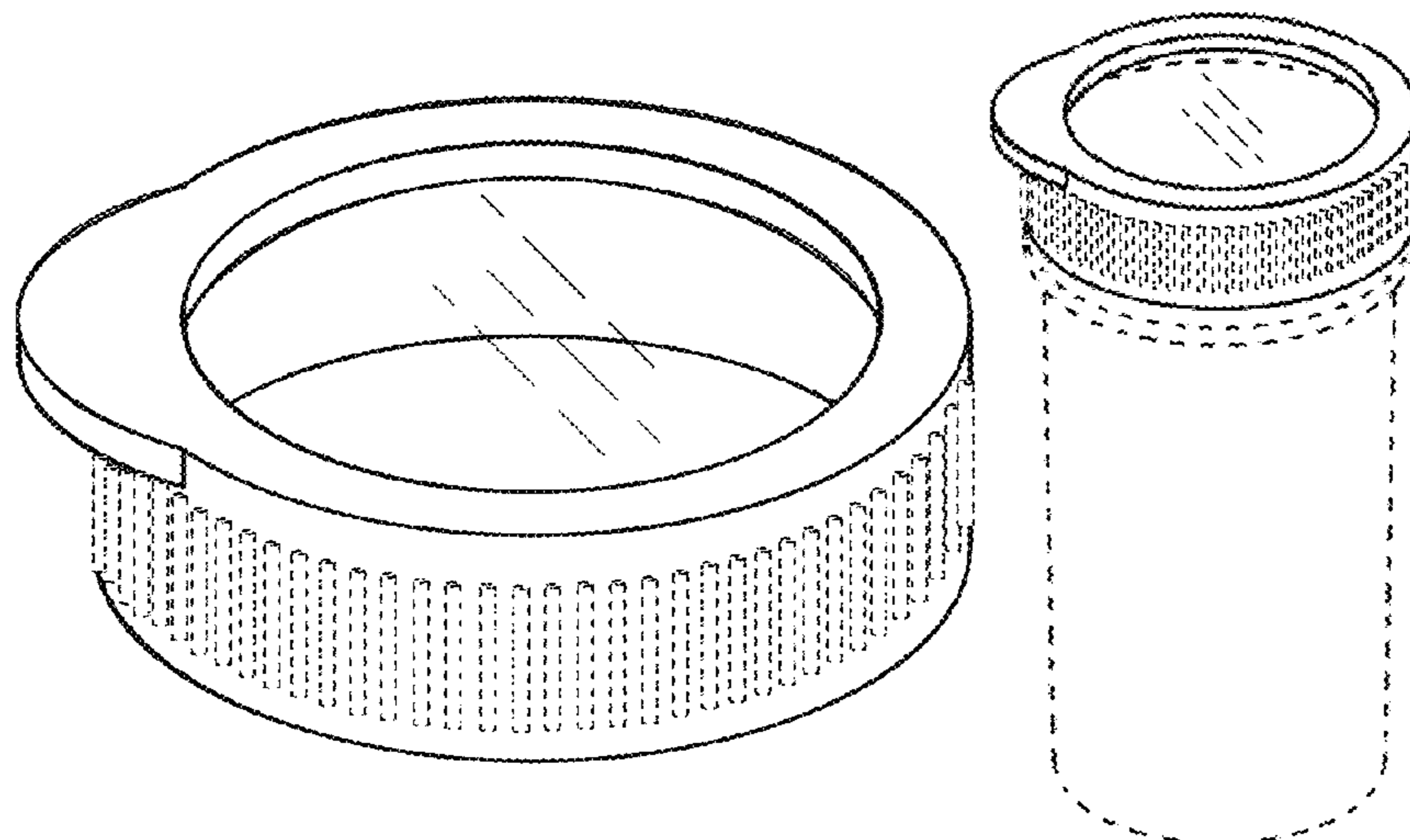
The ornamental design for a cap, as shown and described.

DESCRIPTION

FIG. 1 is a first top perspective view of a first embodiment of a cap, showing my new design.

FIG. 2 is a top plan view of the cap of FIG. 1.
FIG. 3 is a bottom plan view of the cap of FIG. 1.
FIG. 4 is a first side elevation view of the cap of FIG. 1.
FIG. 5 is a second side elevation view of the cap of FIG. 1.
FIG. 6 is a third side elevation view of the cap of FIG. 1.
FIG. 7 is a bottom perspective view of the cap of FIG. 1.
FIG. 8 is an exploded top perspective view of the cap of FIG. 1, shown in a position of use with an exemplary bottle.
FIG. 9 is a top perspective view of the cap of FIG. 8, shown with the cap positioned on the exemplary bottle.
FIG. 10 is a top perspective view of a second embodiment of a cap, showing my new design.
FIG. 11 is a top plan view of the cap of FIG. 10.
FIG. 12 is a bottom plan view of the cap of FIG. 10.
FIG. 13 is a first side elevation view of the cap of FIG. 10.
FIG. 14 is a second side elevation view of the cap of FIG. 10.
FIG. 15 is a third side elevation view of the cap of FIG. 10.
FIG. 16 is a bottom perspective view of the cap of FIG. 10.
FIG. 17 is an exploded top perspective view of the cap of FIG. 10, shown in a position of use with an exemplary bottle.
FIG. 18 is a top perspective view of the cap of FIG. 17, shown with the cap positioned on the exemplary bottle.
FIG. 19 is a top perspective view of a third embodiment of a cap, showing my new design.
FIG. 20 is a top plan view of the cap of FIG. 19.
FIG. 21 is a bottom plan view of the cap of FIG. 19.
FIG. 22 is a first side elevation view of the cap of FIG. 19.
FIG. 23 is a second side elevation view of the cap of FIG. 19.
FIG. 24 is a third side elevation view of the cap of FIG. 19.
FIG. 25 is a bottom perspective view of the cap of FIG. 19.
FIG. 26 is an exploded top perspective view of the cap of FIG. 19, shown in a position of use with an exemplary bottle; and,
FIG. 27 is a top perspective view of the cap of FIG. 26, shown with the cap positioned on exemplary bottle.
The broken lines are shown for the purpose of illustrating both parts of the article as well as environmental subject matter of an exemplary bottle. None of the broken lines form part of the claim.

1 Claim, 12 Drawing Sheets



(58) **Field of Classification Search**

USPC .. D7/396.6, 397, 398, 401.1, 403, 509, 538,
 D7/610, 619.1, 629, 672, 677, 601, 602,
 D7/624.1, 705, 708; D9/434, 435, 436,
 D9/438, 439, 440, 441, 442, 446, 447,
 D9/449, 451, 452, 453, 454, 455, 550,
 D9/560, 566, 516, 544, 573, 614, 618,
 D9/623, 686, 705, 708, 715-720, 730,
 D9/750, 751; D20/21, 31, 41, 42;
 D21/3, 621; D23/206, 259, 260;
 D24/121, 127, 199, 224; D28/4, 5, 73,
 D28/76, 91.1
 CPC B65D 83/06; B65D 2501/00; B65D
 2501/0009; B65D 1/00; B65D 1/02;
 B65D 1/0223; B65D 23/00; B65D
 50/041; B65D 53/02; B65D 41/34; B65D
 21/0223; B65D 47/265; B65D 2525/283;
 B65D 2251/0087; B65D 2251/0018;
 B65D 2251/0028; B65D 2251/009; B65D
 43/0225; B65D 25/28; B65D 51/18;
 B65D 2203/00; B65D 83/0038; B65D
 43/02; B65D 85/36; B65D 81/18; B65D
 81/38; A45D 2040/0043; A45D
 2040/0062; A45D 2034/005; A45D
 2034/065; A45D 40/04; A45D 34/04;
 A45D 33/04

See application file for complete search history.

(56) **References Cited**

U.S. PATENT DOCUMENTS

2,100,239 A 11/1937 Carlton
 2,961,108 A 11/1960 Johnson
 D195,314 S * 5/1963 Terwilliger D9/438
 3,367,484 A 2/1968 Nelson
 3,397,935 A 8/1968 Natsume
 3,924,772 A 12/1975 Magnani
 4,057,159 A 11/1977 Fillmore et al.
 4,059,198 A 11/1977 Mumford
 D263,799 S * 4/1982 Nilsson D9/438
 4,609,259 A 9/1986 Suemitsu et al.
 D295,319 S * 4/1988 Franchere D24/224

4,784,258 A 11/1988 Figari
 D313,754 S * 1/1991 Pomroy D9/435
 5,267,716 A 12/1993 Friedman
 5,760,975 A 6/1998 DiGiovanni
 6,036,017 A 3/2000 Bayliss, IV
 6,081,392 A 6/2000 Pensmith
 D437,228 S * 2/2001 Collins D9/453
 6,199,710 B1 3/2001 Jensen
 D442,864 S * 5/2001 Davies D9/454
 6,278,545 B1 8/2001 Napier
 6,327,770 B1 12/2001 Konefal et al.
 6,594,928 B1 7/2003 Clawson et al.
 D478,469 S * 8/2003 Roth F25D 3/08
 D7/392.1
 6,621,629 B2 9/2003 Blumenthal et al.
 D518,718 S * 4/2006 von Spreckelsen D9/453
 D518,719 S * 4/2006 von Spreckelsen D9/453
 D519,029 S * 4/2006 Hicks D9/449
 D522,364 S * 6/2006 Hicks D9/449
 D528,359 S * 9/2006 Laib D7/392.1
 D584,613 S * 1/2009 Yan D9/438
 7,748,293 B2 7/2010 Elwell
 D666,494 S * 9/2012 Stull D9/447
 8,505,766 B2 8/2013 Aitchison et al.
 D704,057 S * 5/2014 Bar-Tal D9/449
 8,844,722 B2 9/2014 Wang et al.
 9,140,890 B1 9/2015 Wilhelm
 D777,034 S * 1/2017 Sill D9/454
 D783,402 S * 4/2017 Martini D9/434
 D783,403 S * 4/2017 Sill D9/454
 D784,808 S * 4/2017 Berroa Garcia D9/434
 D835,939 S * 12/2018 Yee D7/392.1
 10,414,557 B2 * 9/2019 Skillin B65D 41/34
 D863,962 S * 10/2019 Bakic D9/449
 D864,719 S * 10/2019 Berroa Garcia D9/449
 D867,133 S * 11/2019 Johnson D9/446
 D867,137 S * 11/2019 Johnson D9/449
 D869,273 S * 12/2019 Kim D9/449
 2005/0211656 A1 9/2005 Muir
 2005/0252877 A1 11/2005 Moller
 2008/0165417 A1 7/2008 Yip et al.
 2008/0314786 A1 12/2008 Wang et al.
 2012/0223045 A1 9/2012 Burke, Jr.
 2014/0268373 A1 9/2014 Selness
 2017/0139217 A1 5/2017 Crenko
 2018/0127163 A1 * 5/2018 Choi B65D 47/08

* cited by examiner

FIG. 1

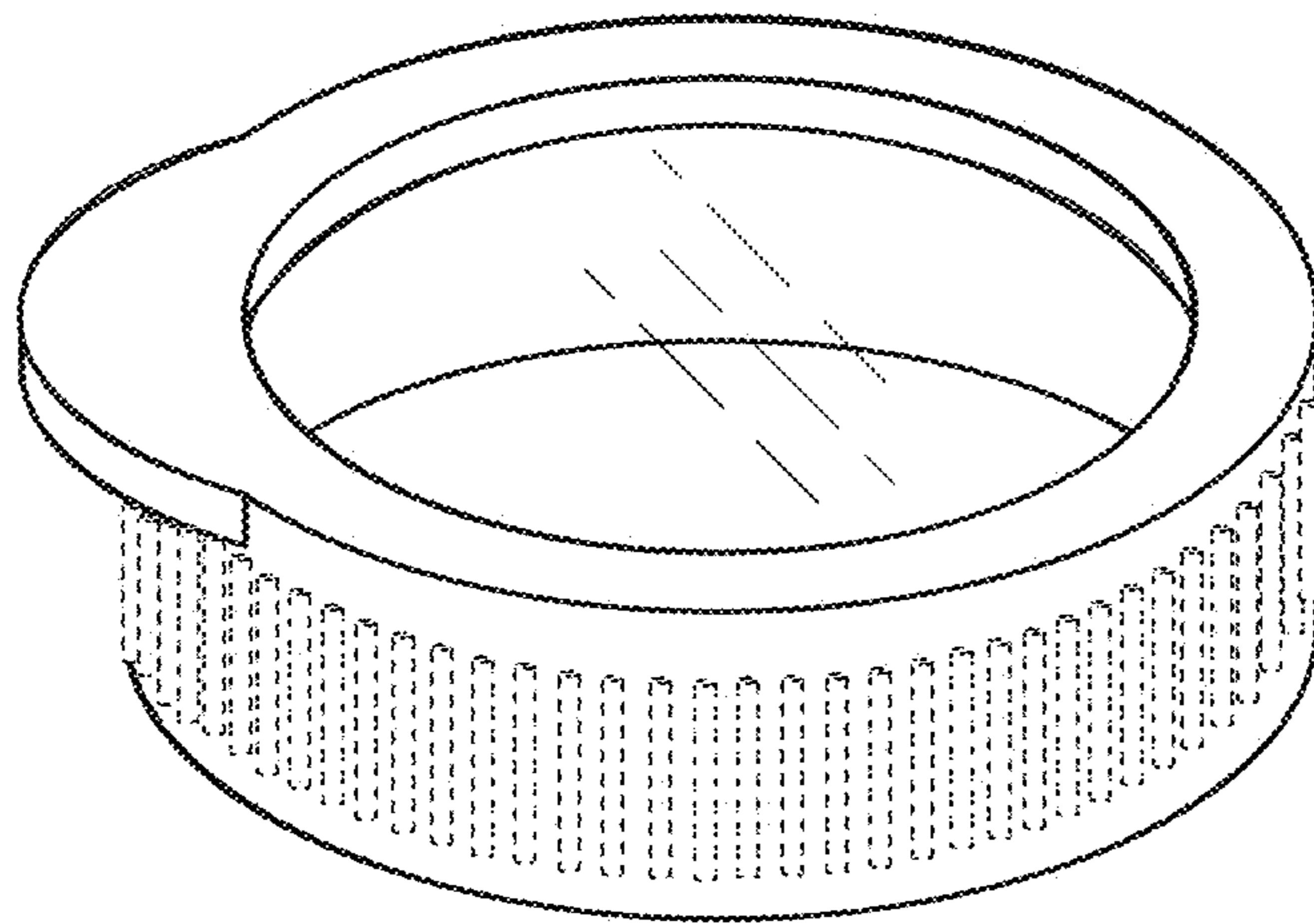


FIG. 2

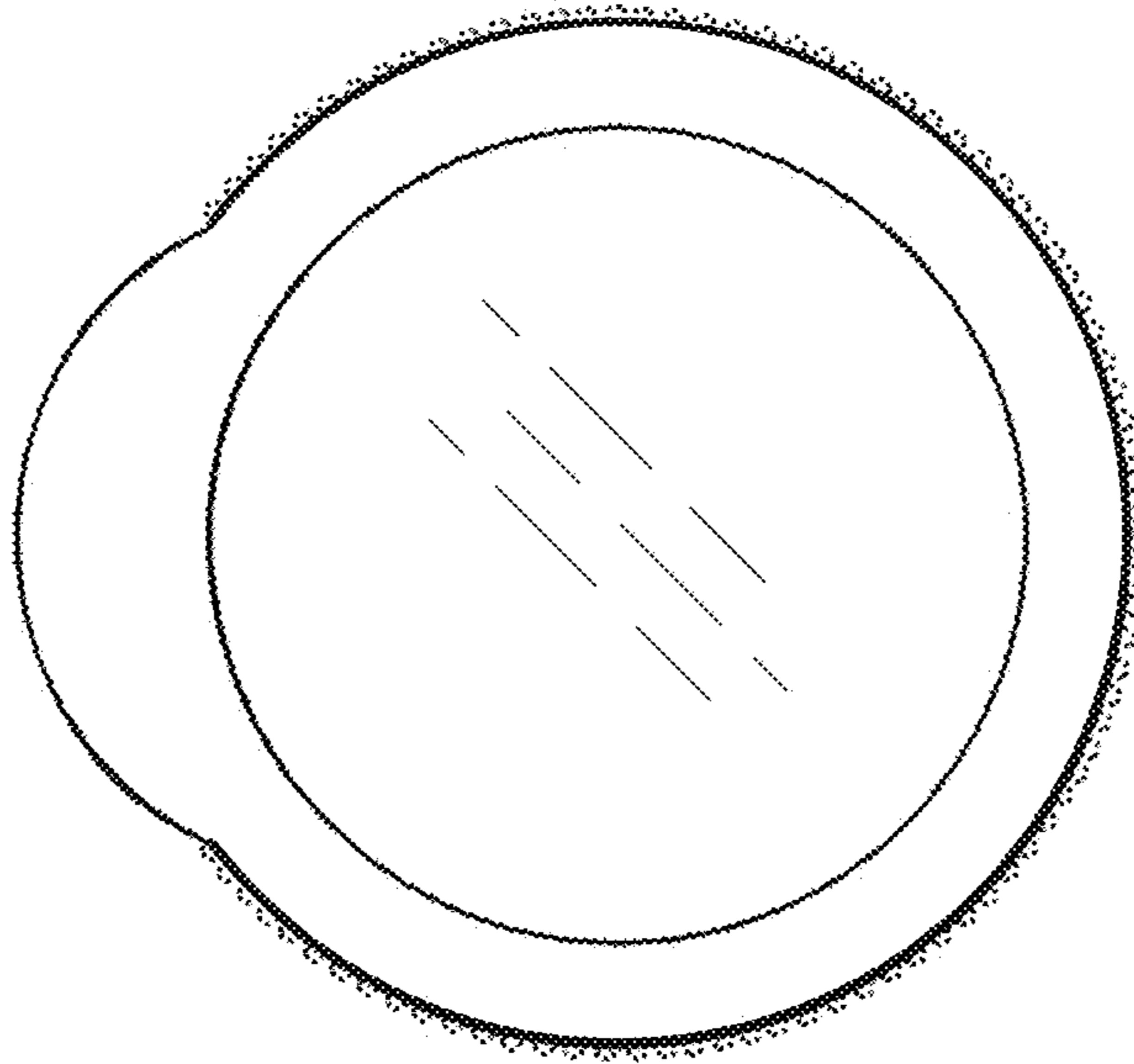


FIG. 3

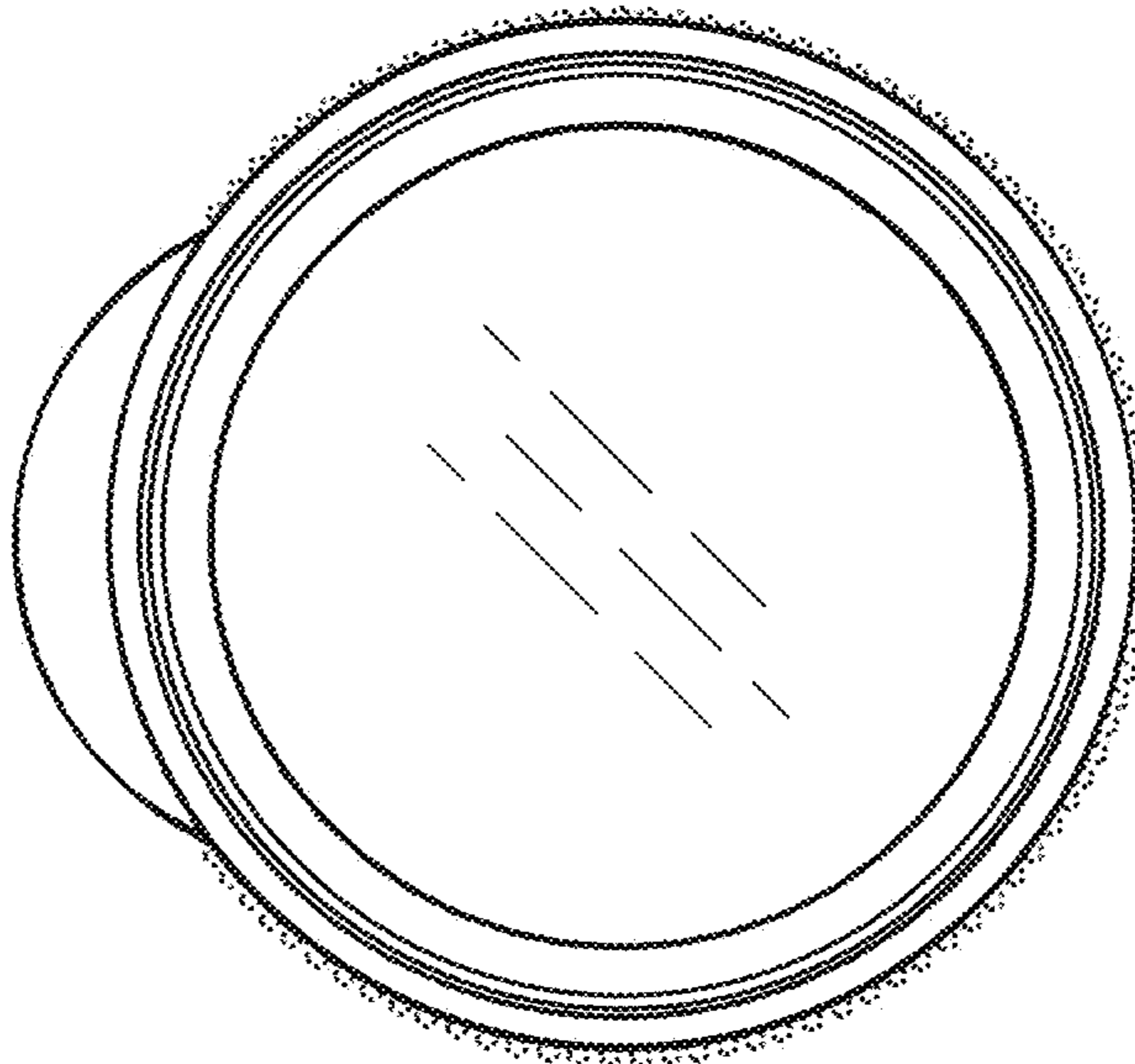


FIG. 4

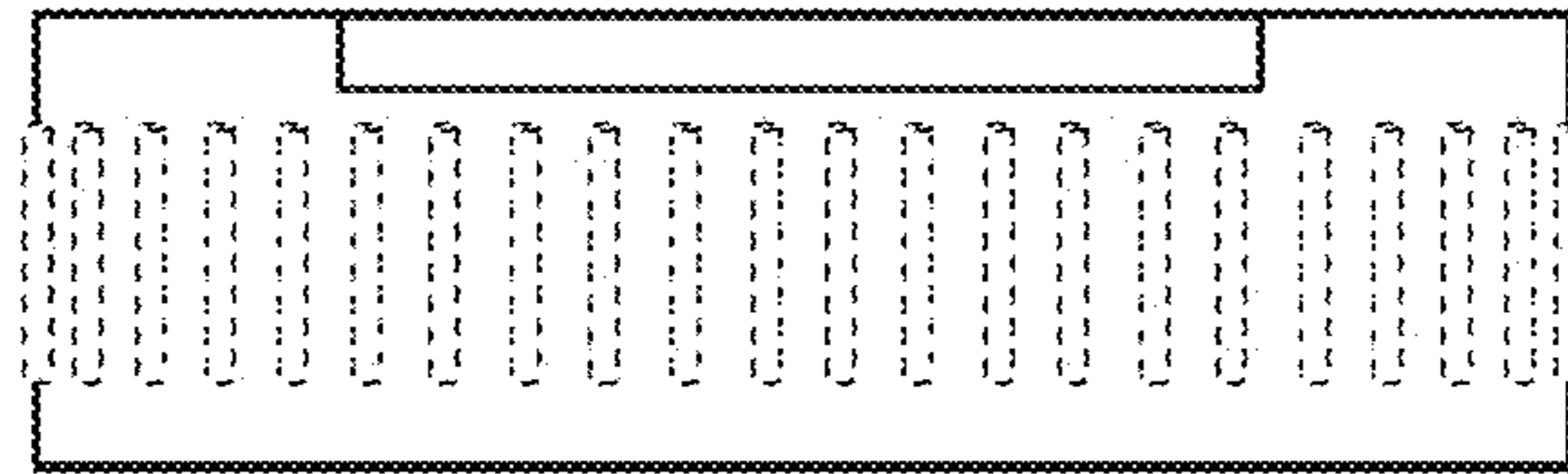


FIG. 5

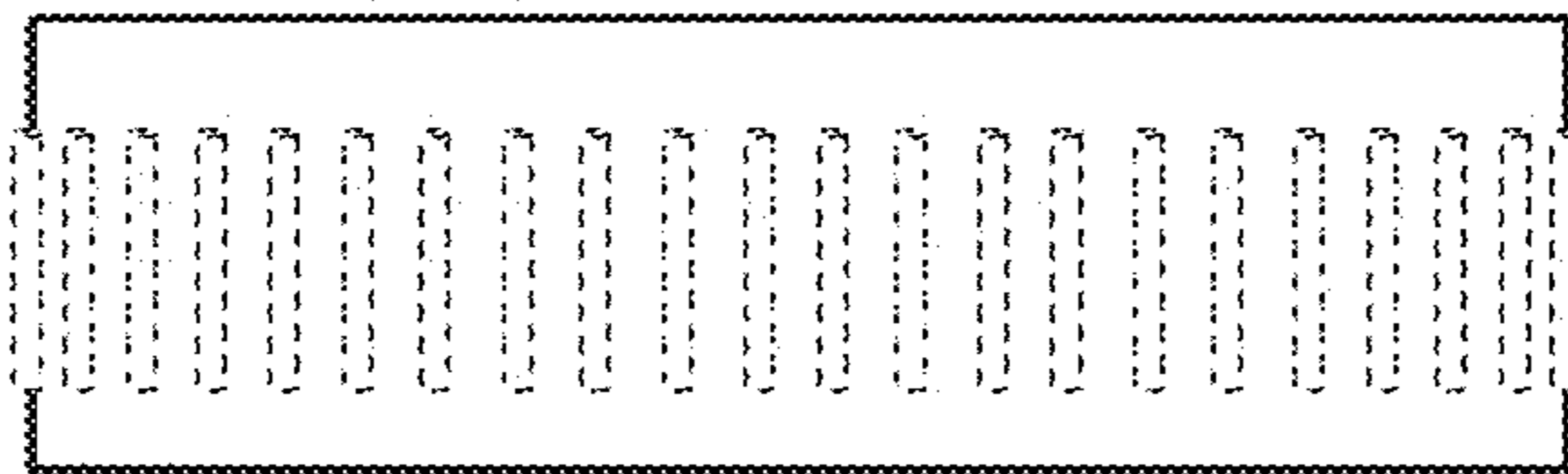


FIG. 6

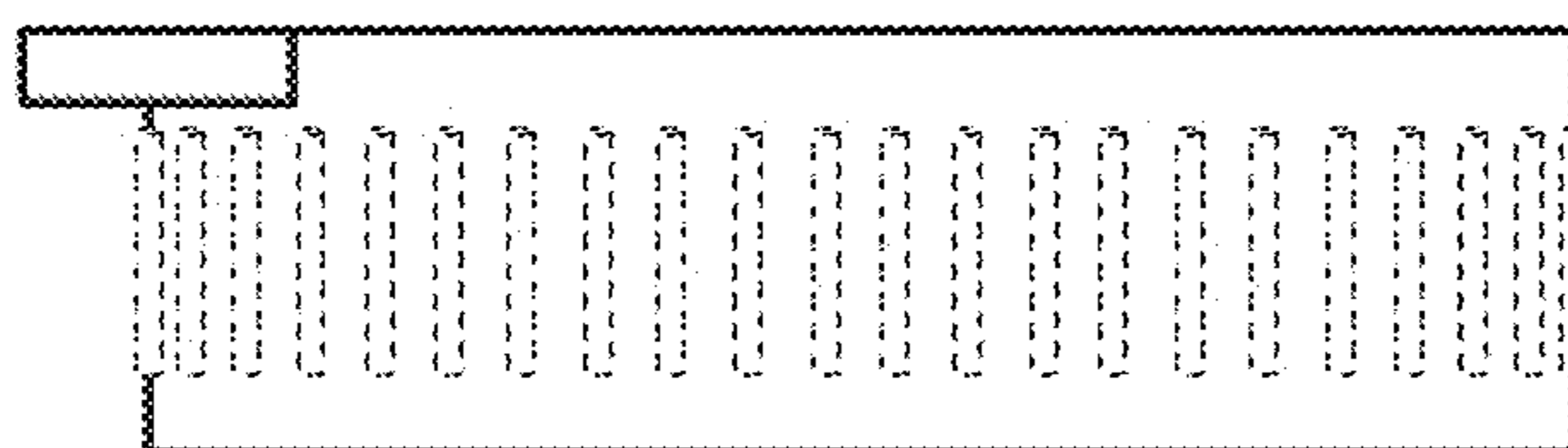


FIG. 7

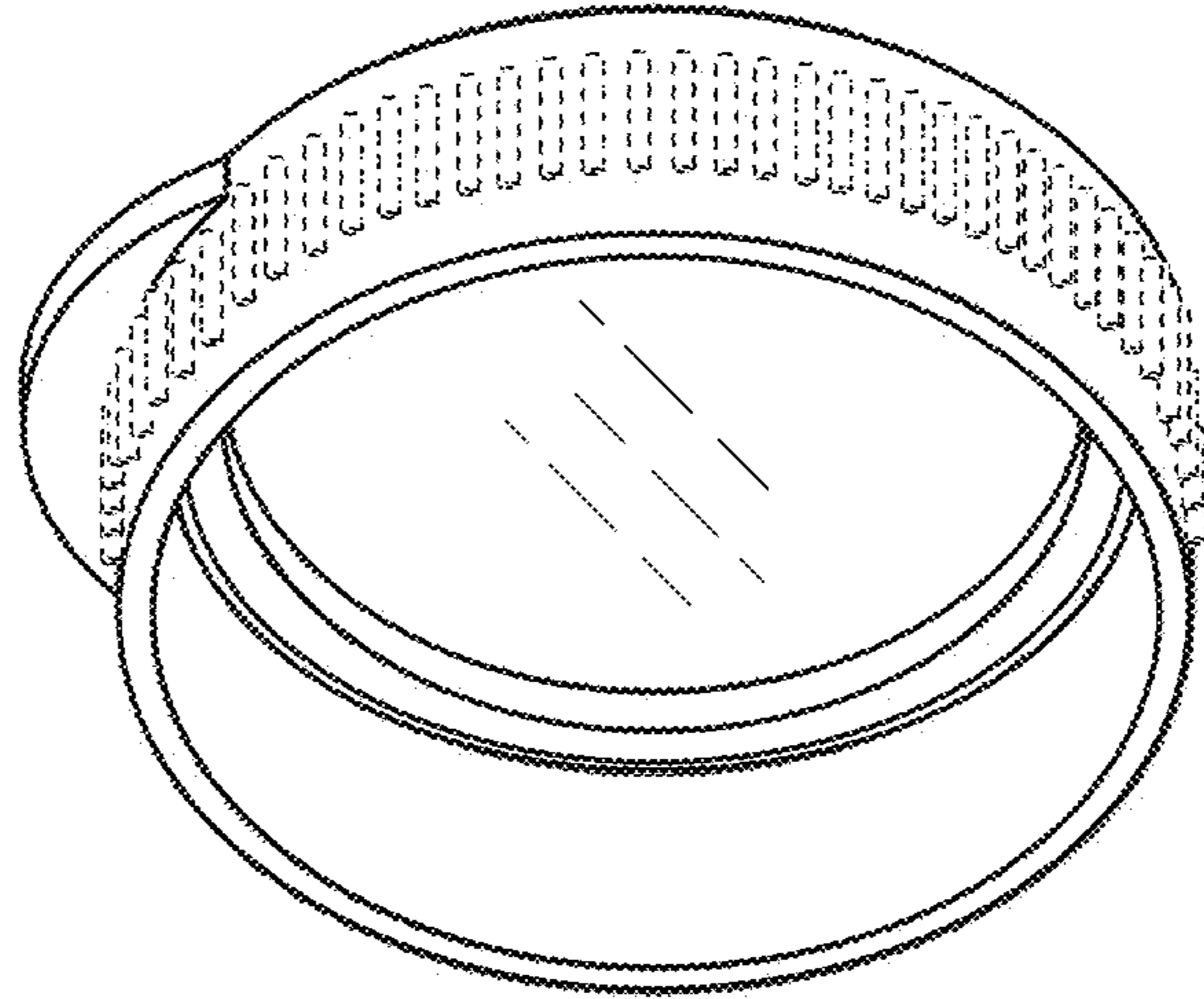


FIG. 8

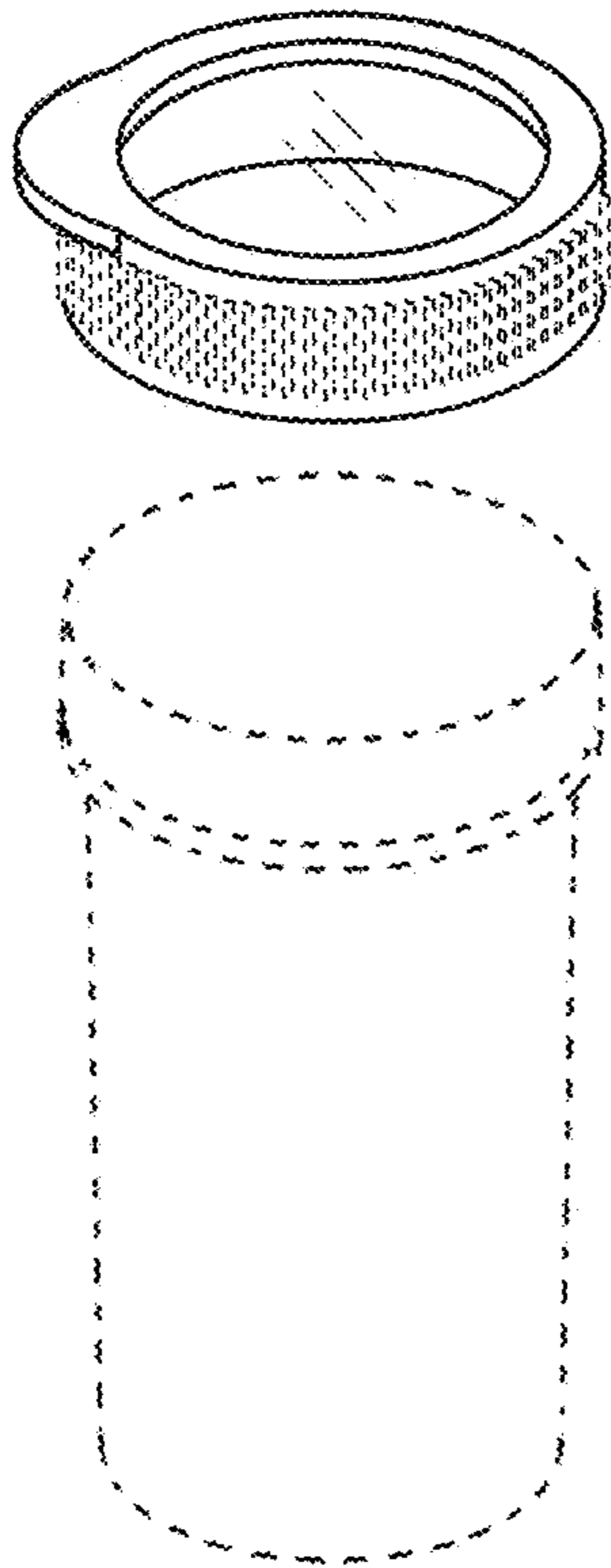


FIG. 9

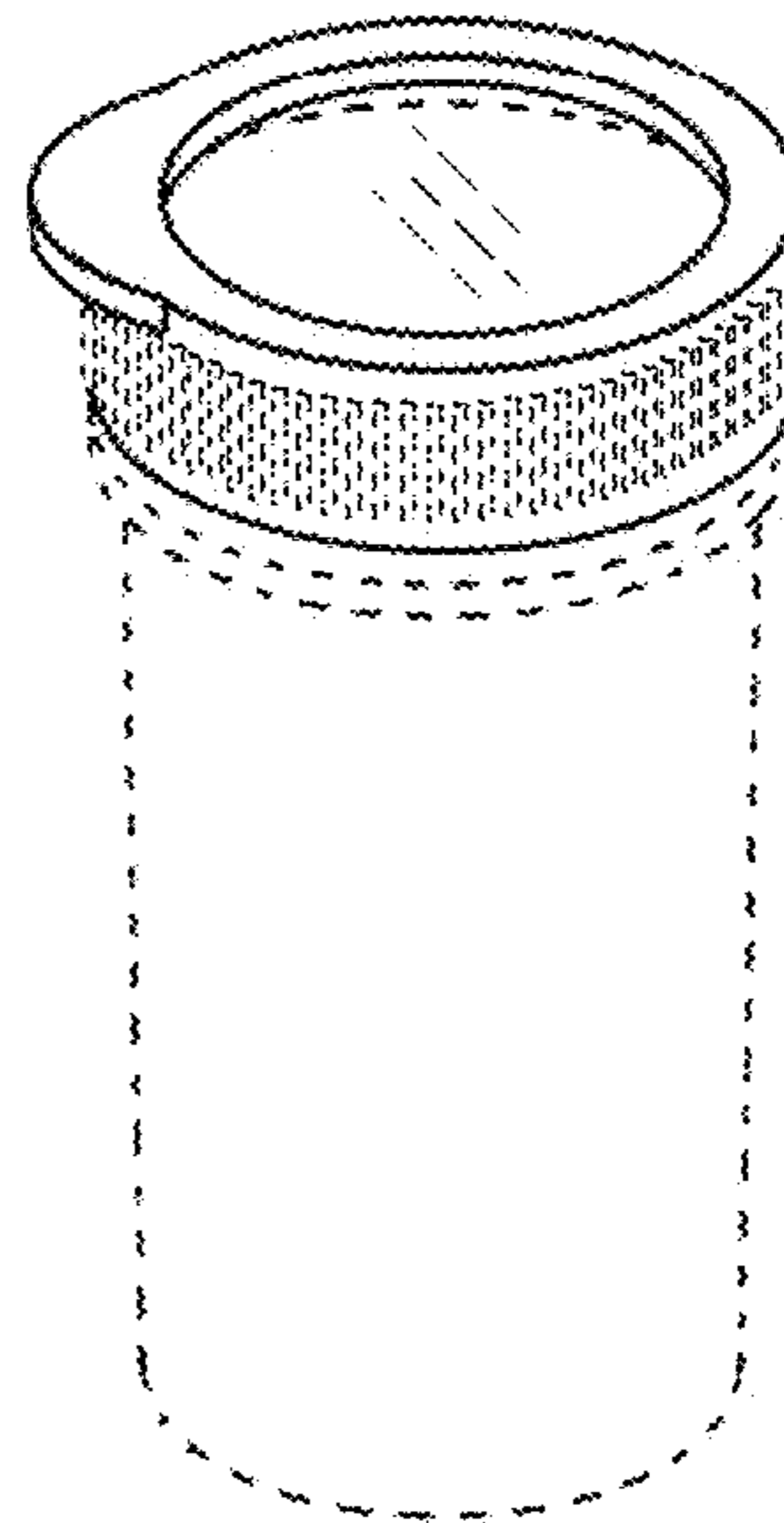


FIG. 10

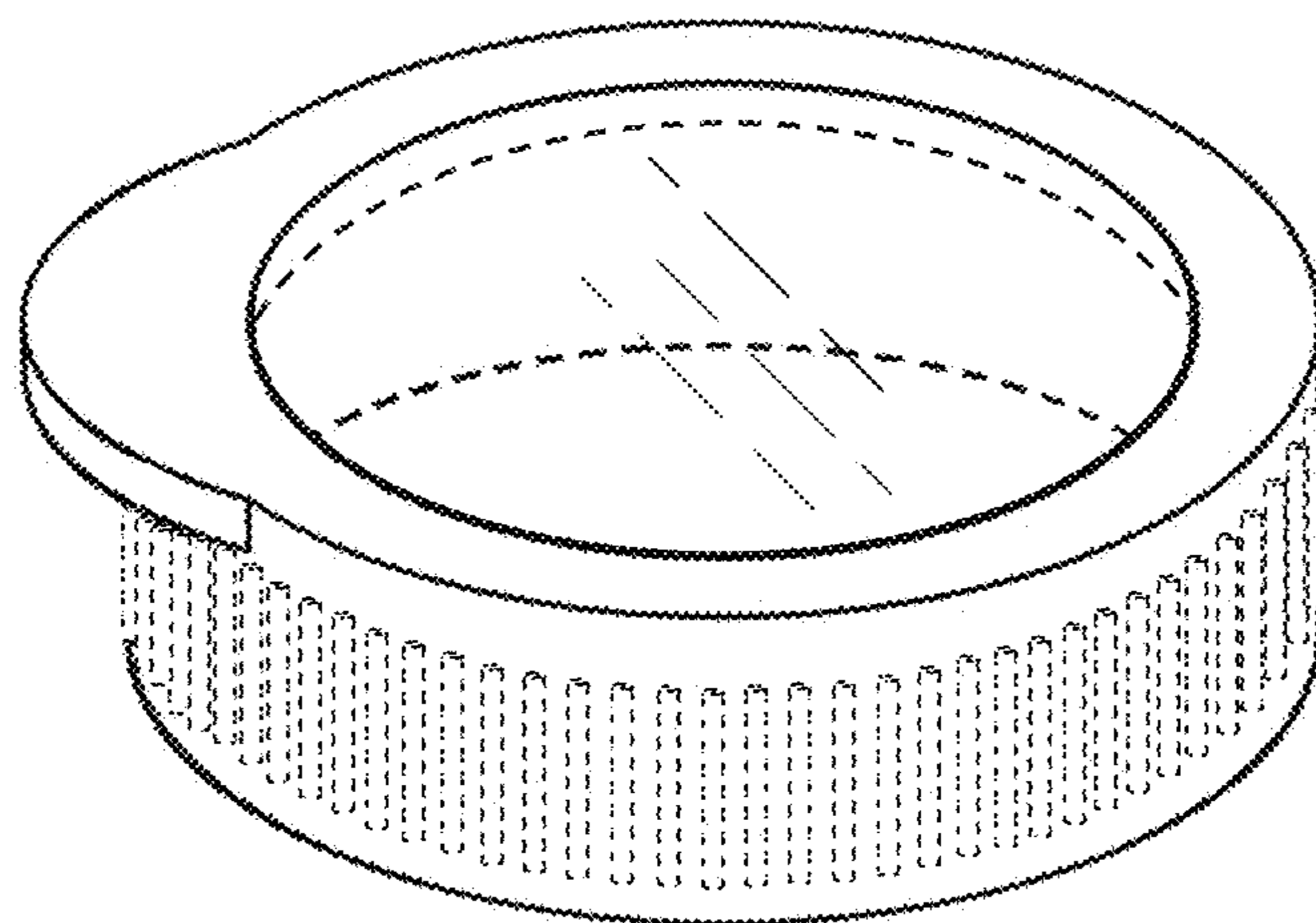


FIG. 11

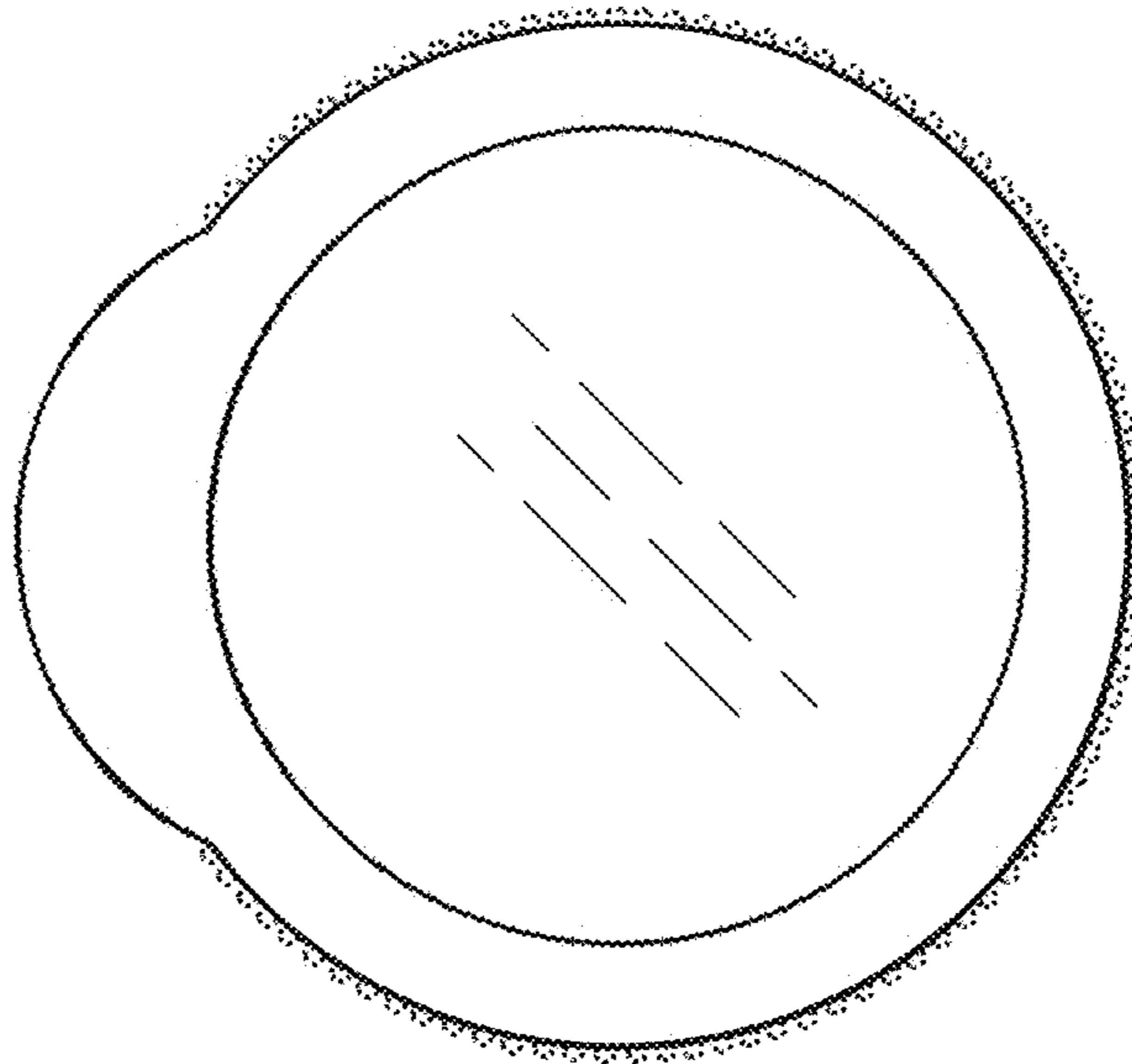


FIG. 12

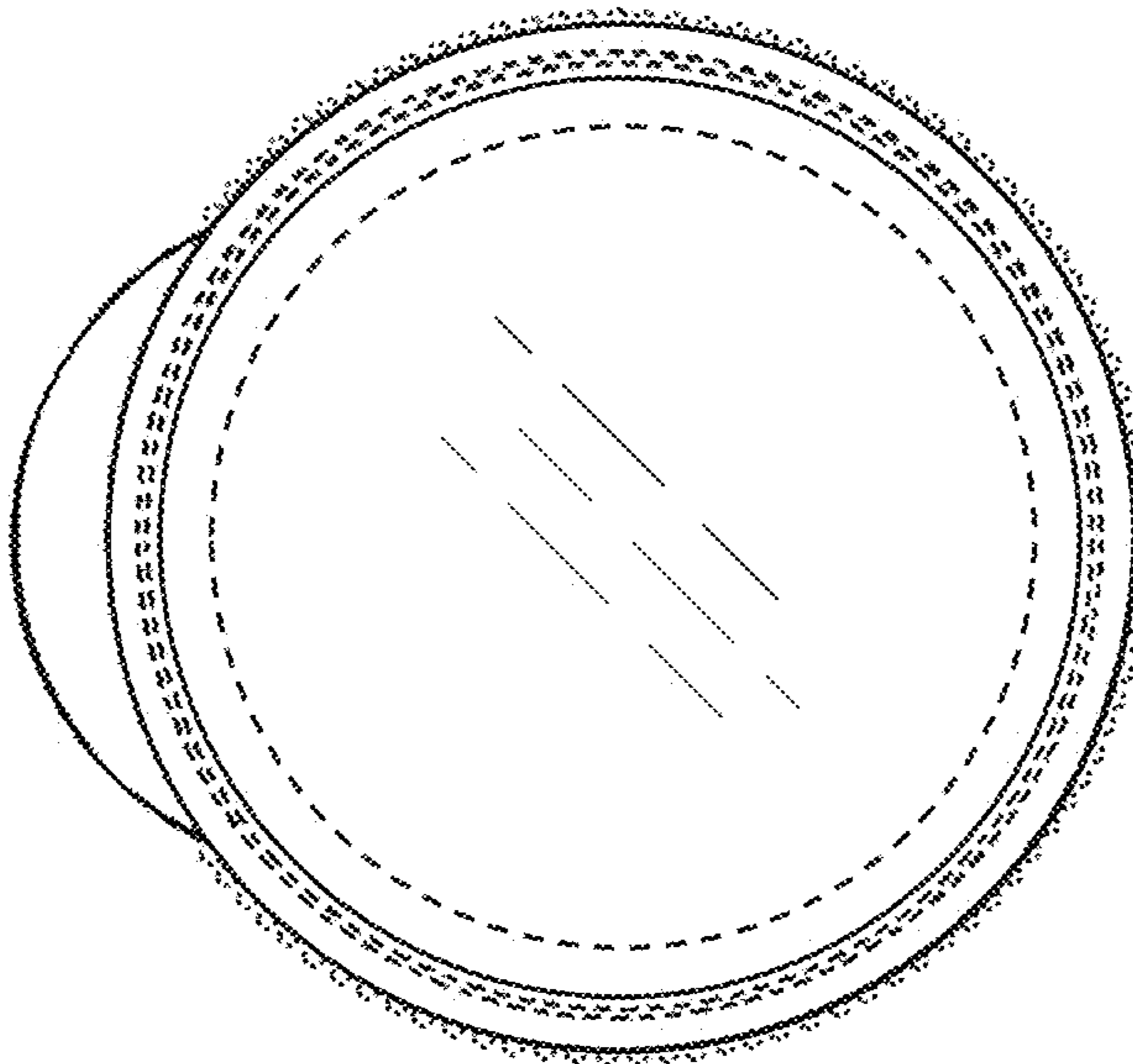


FIG. 13

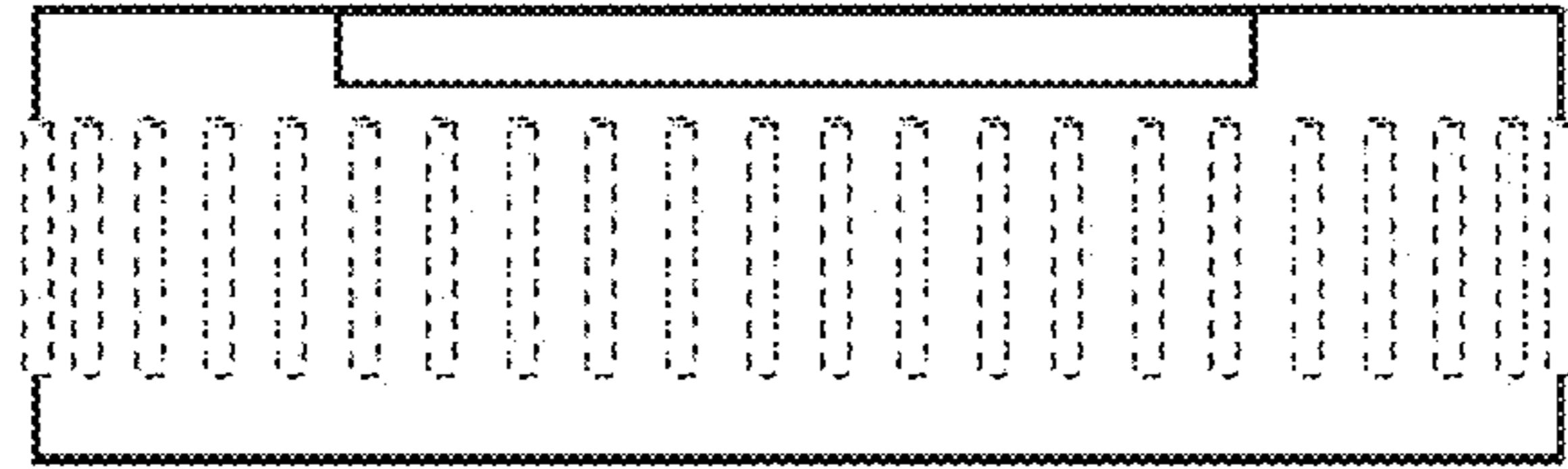


FIG. 14

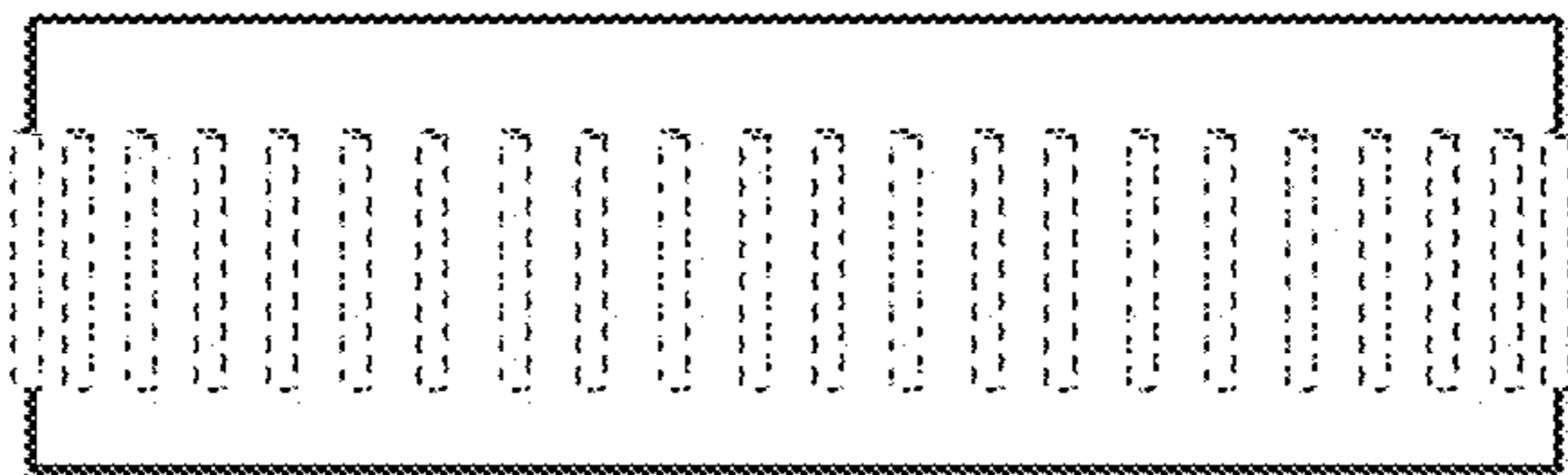


FIG. 15

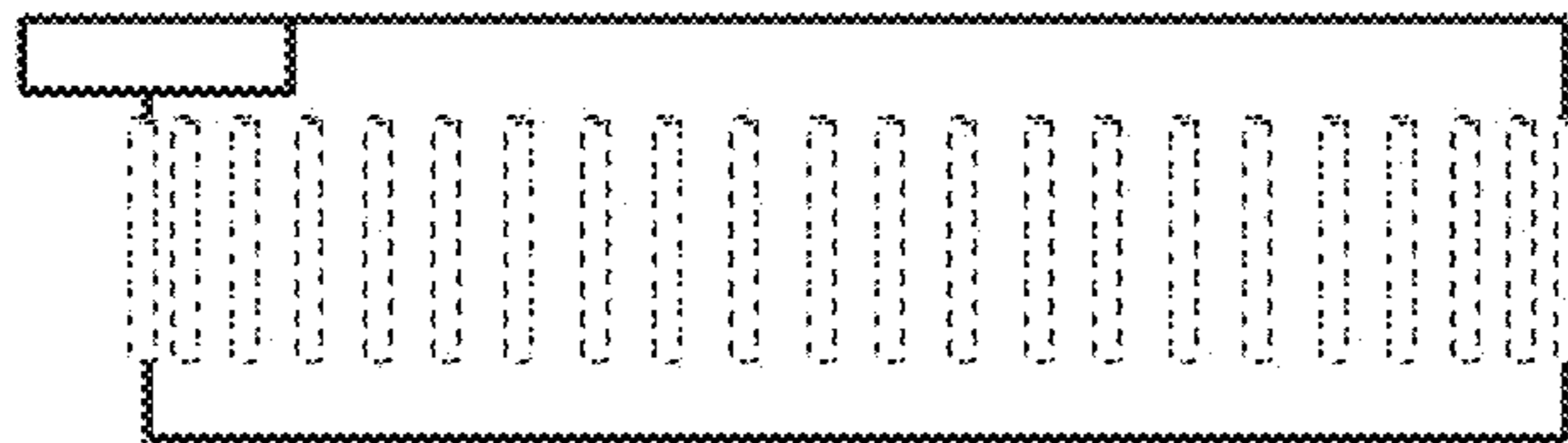


FIG. 16

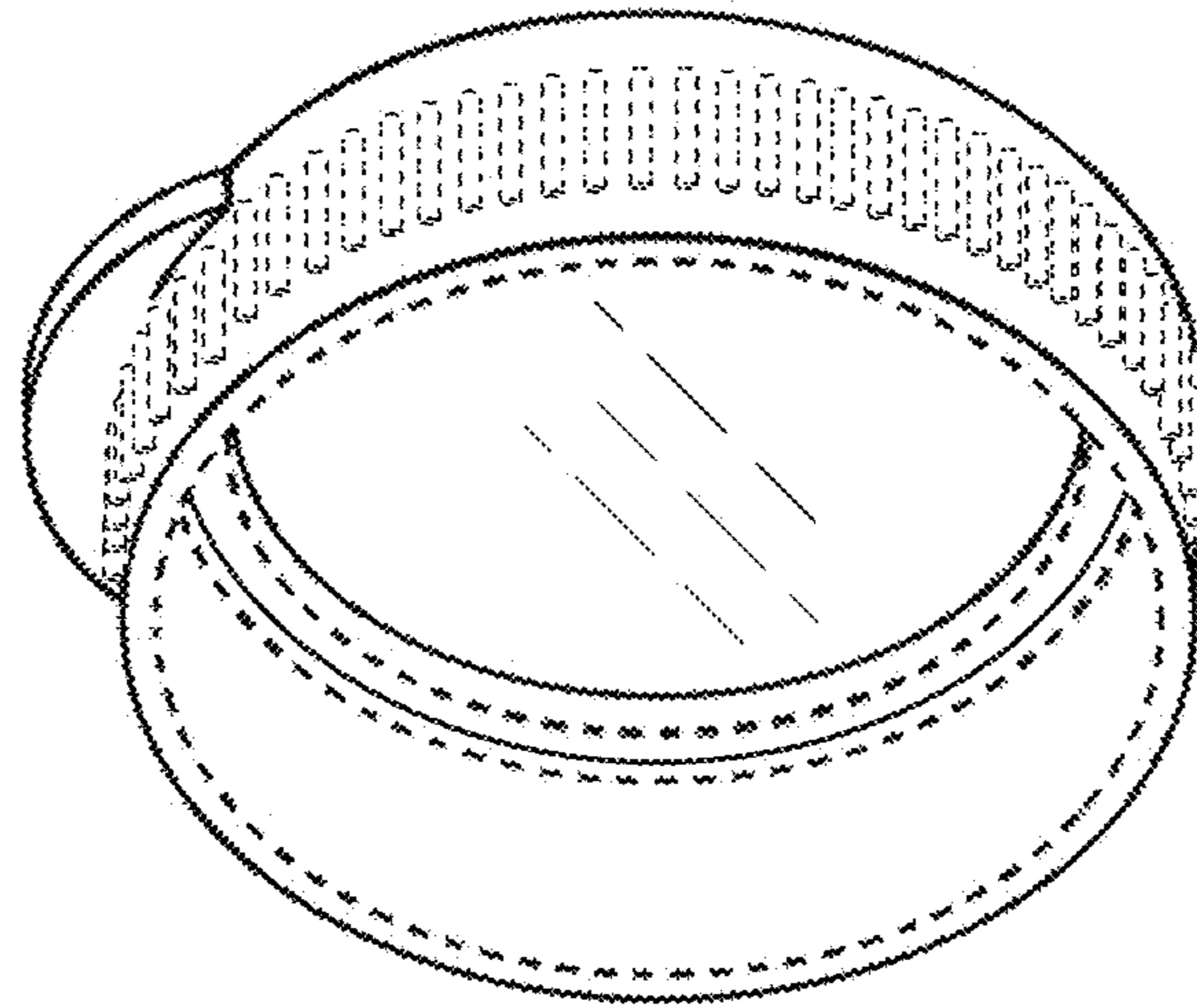


FIG. 17

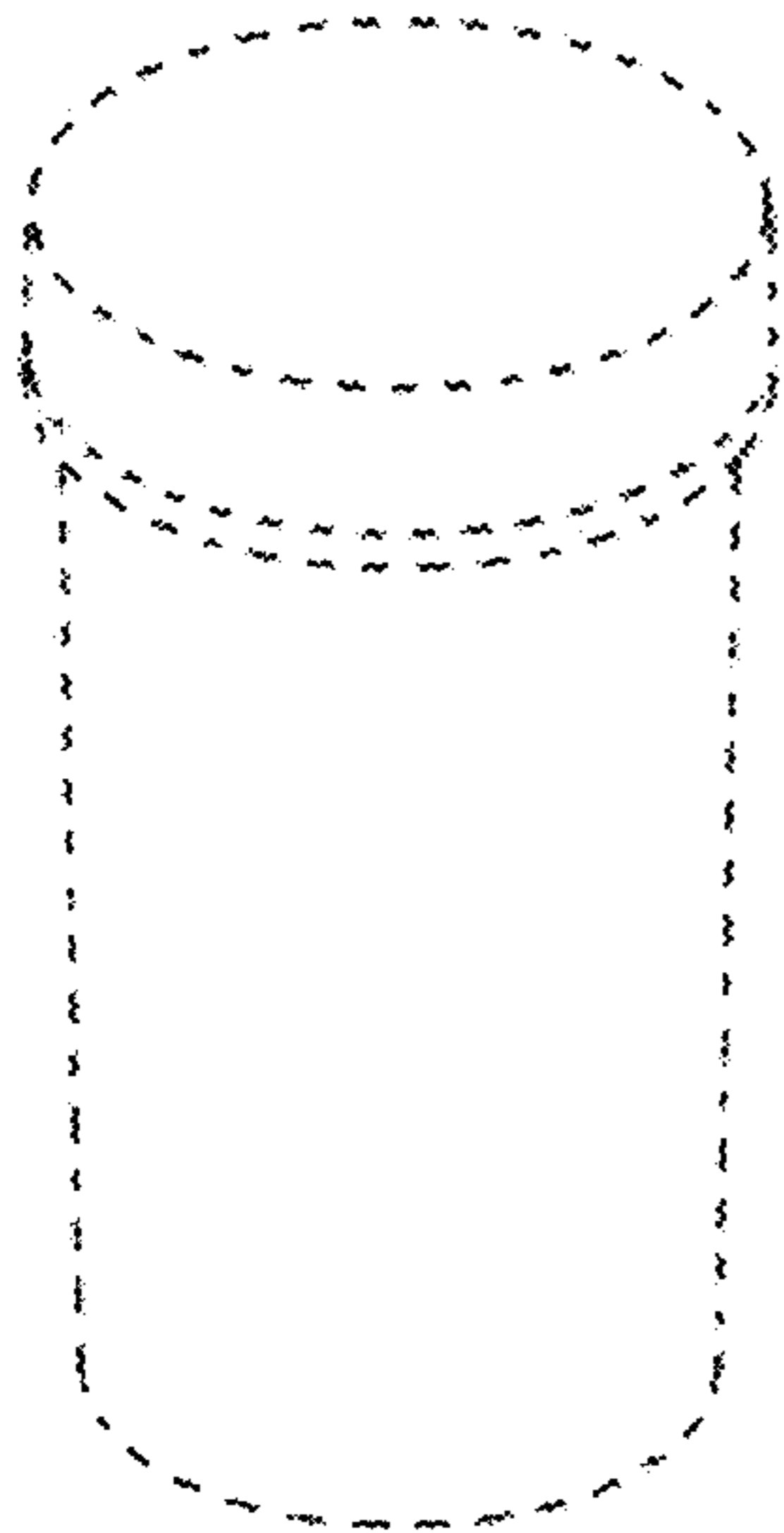
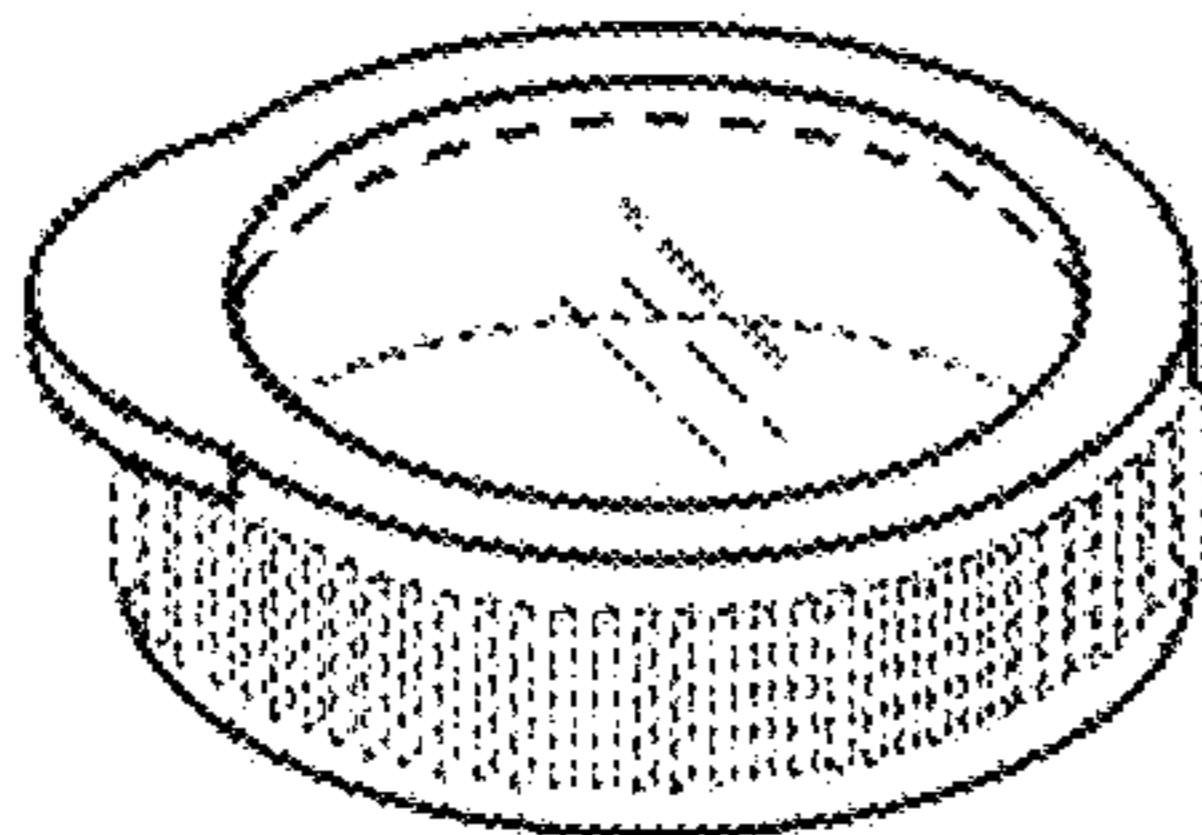


FIG. 18

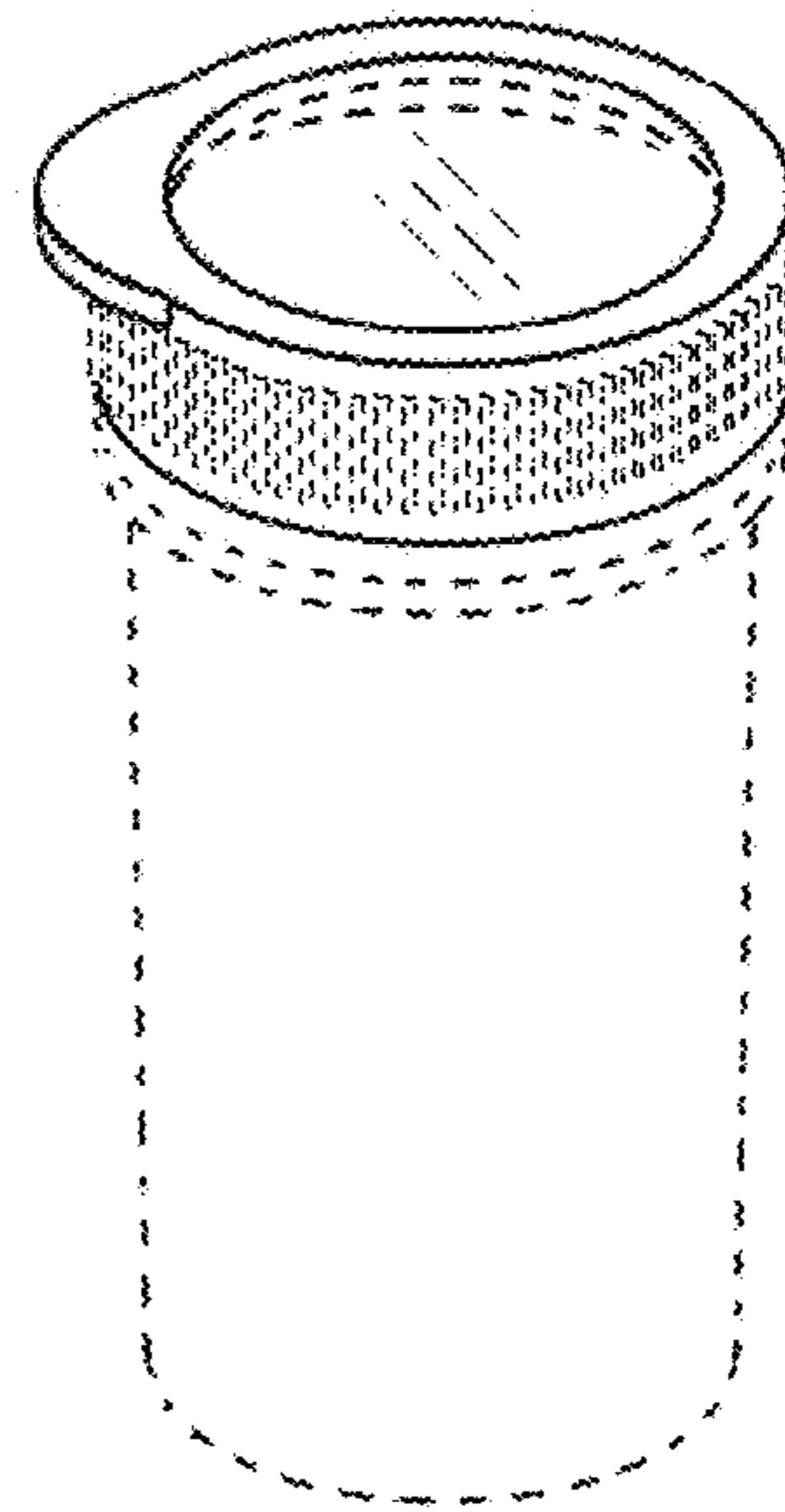


FIG. 19

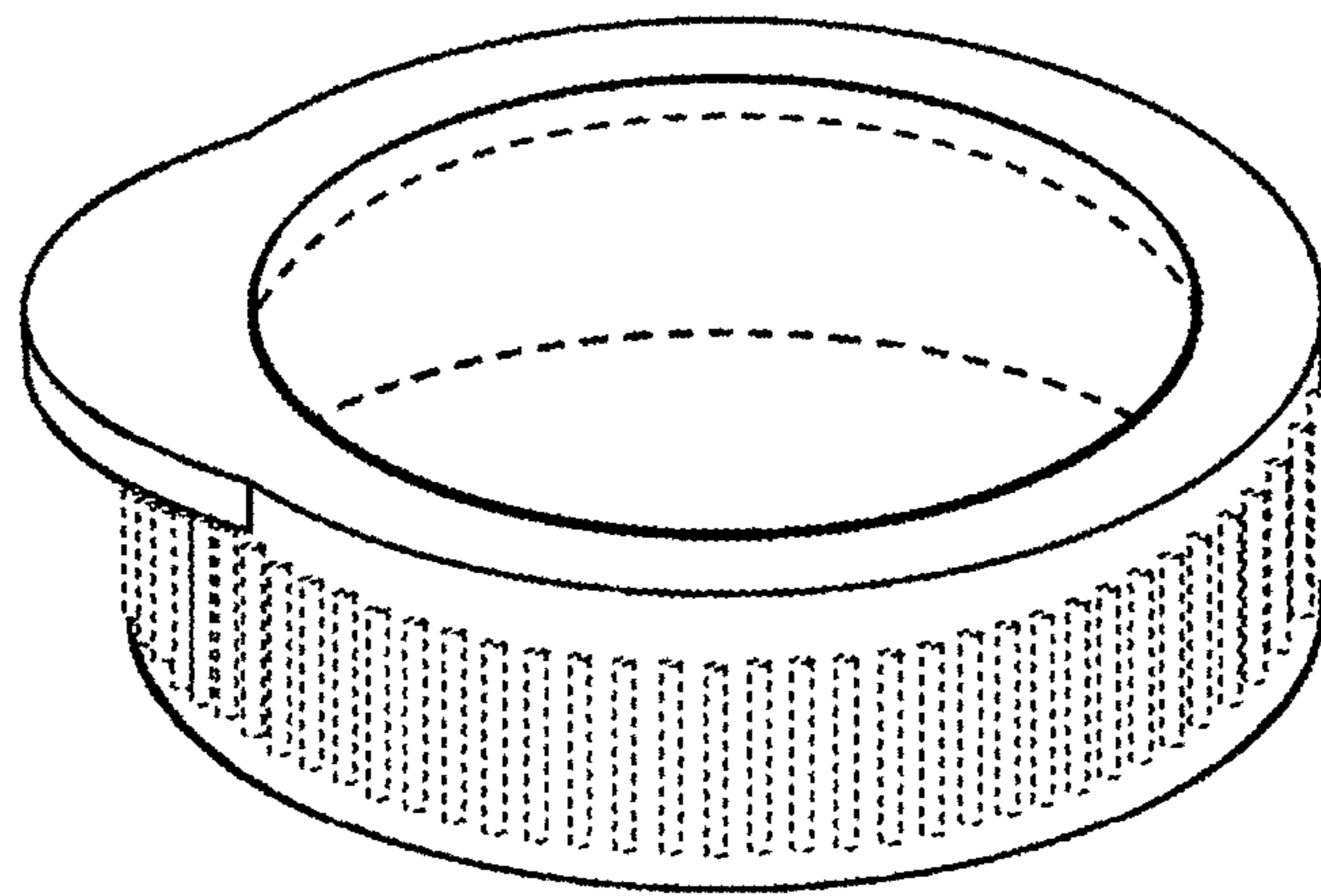


FIG. 20

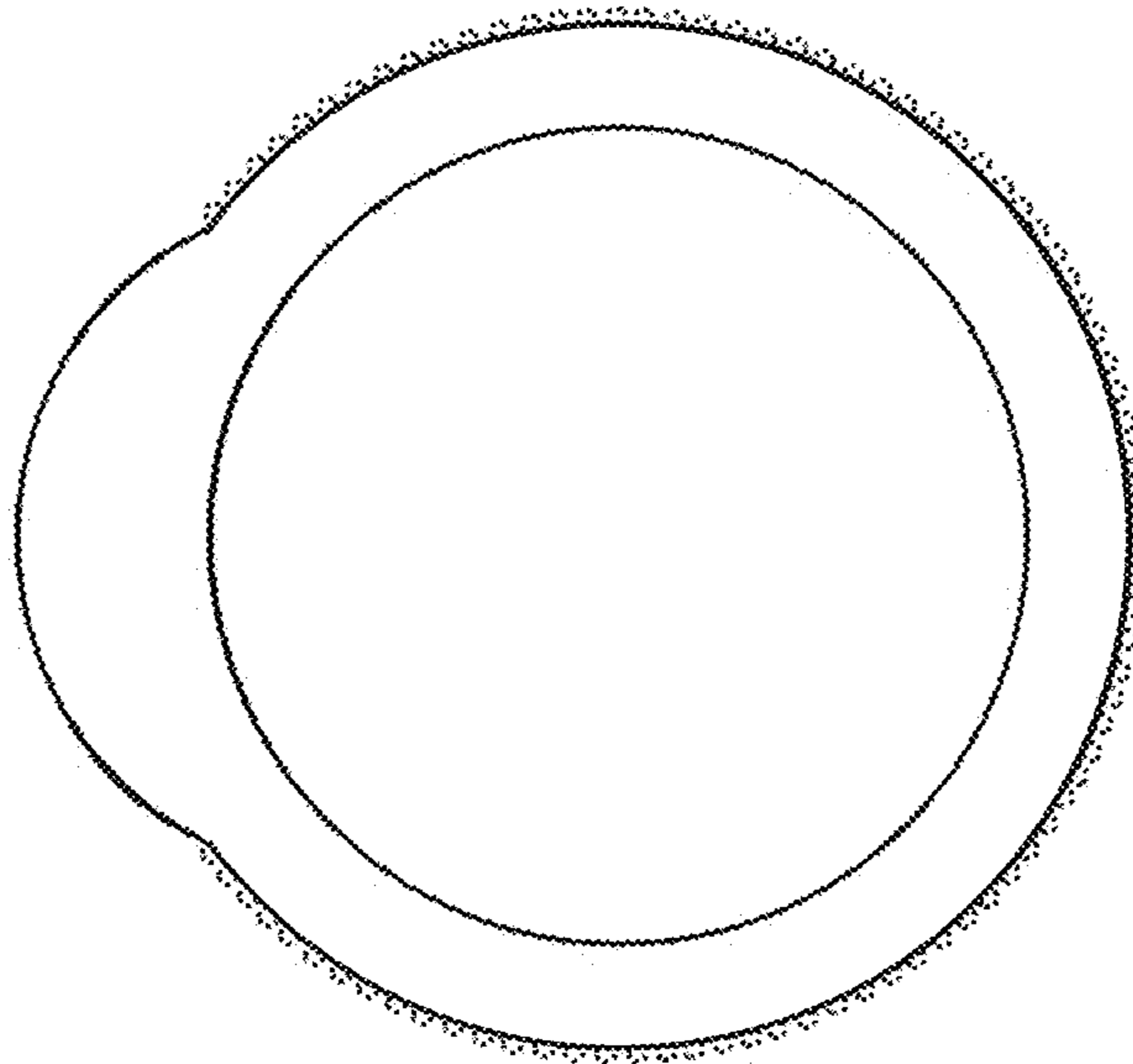


FIG. 21

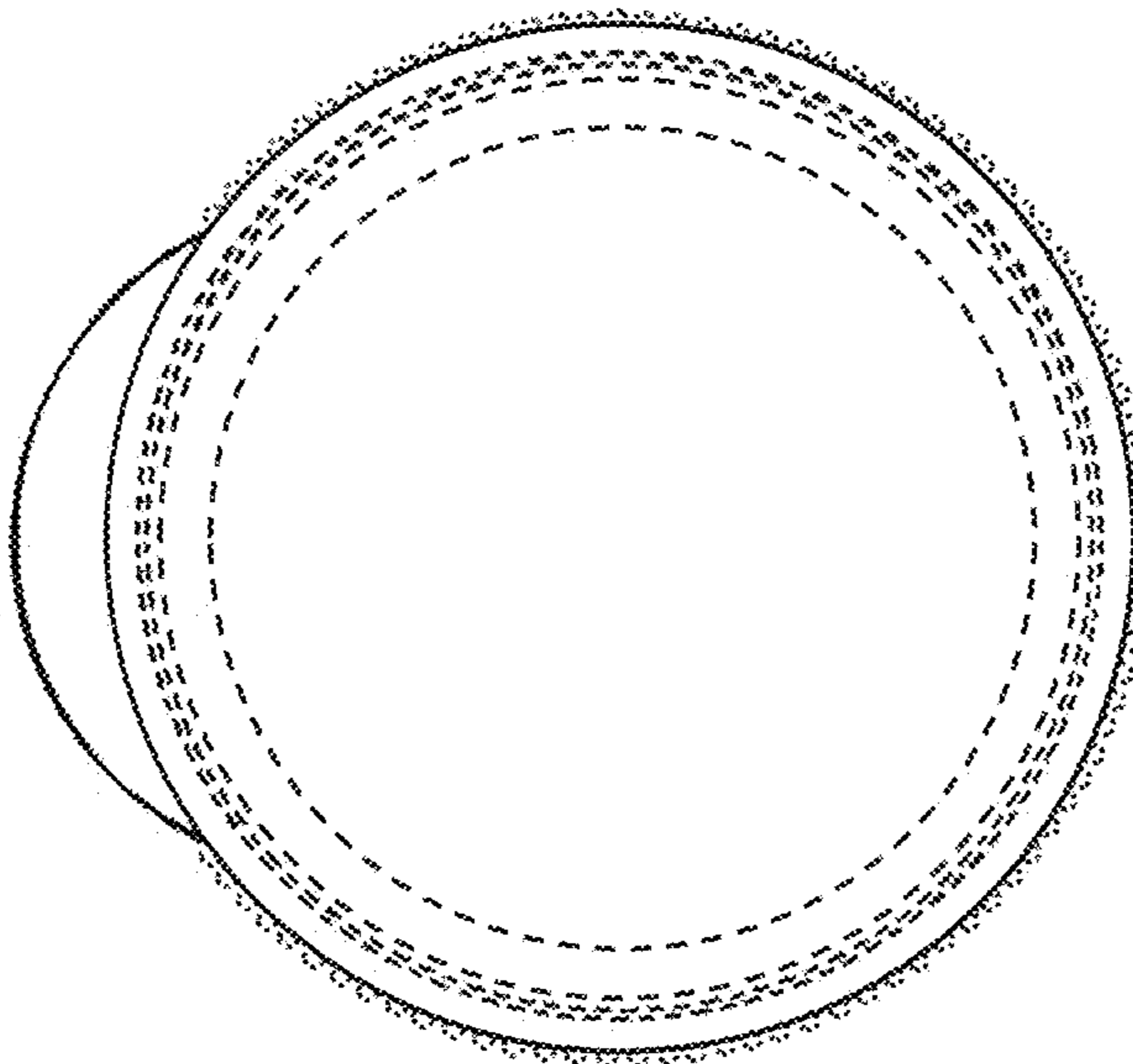


FIG. 22

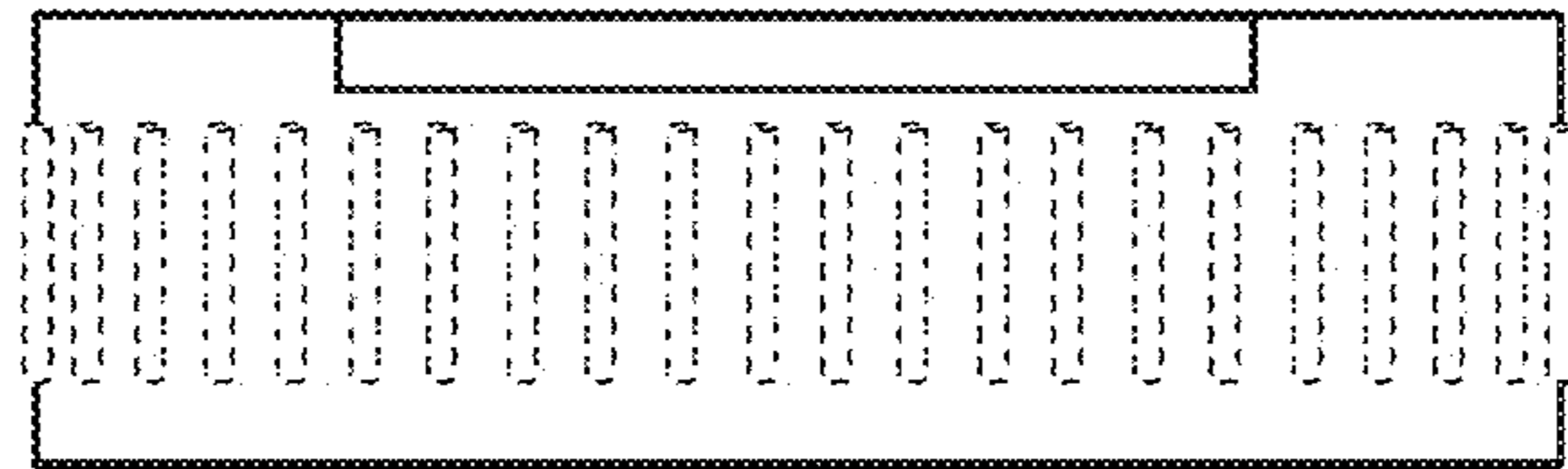


FIG. 23

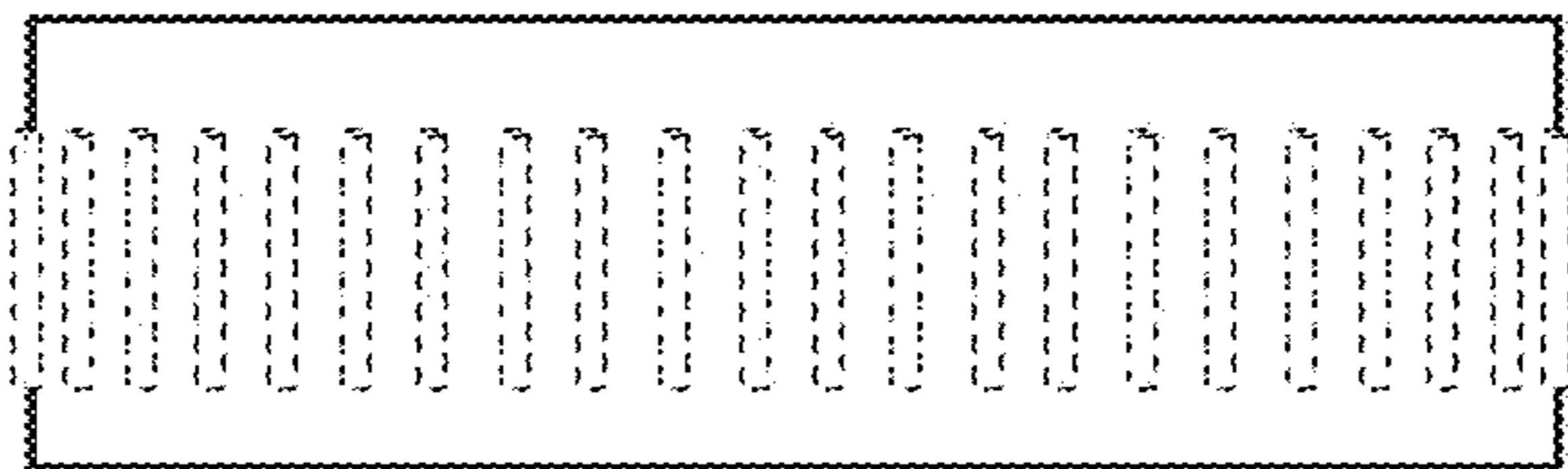


FIG. 24

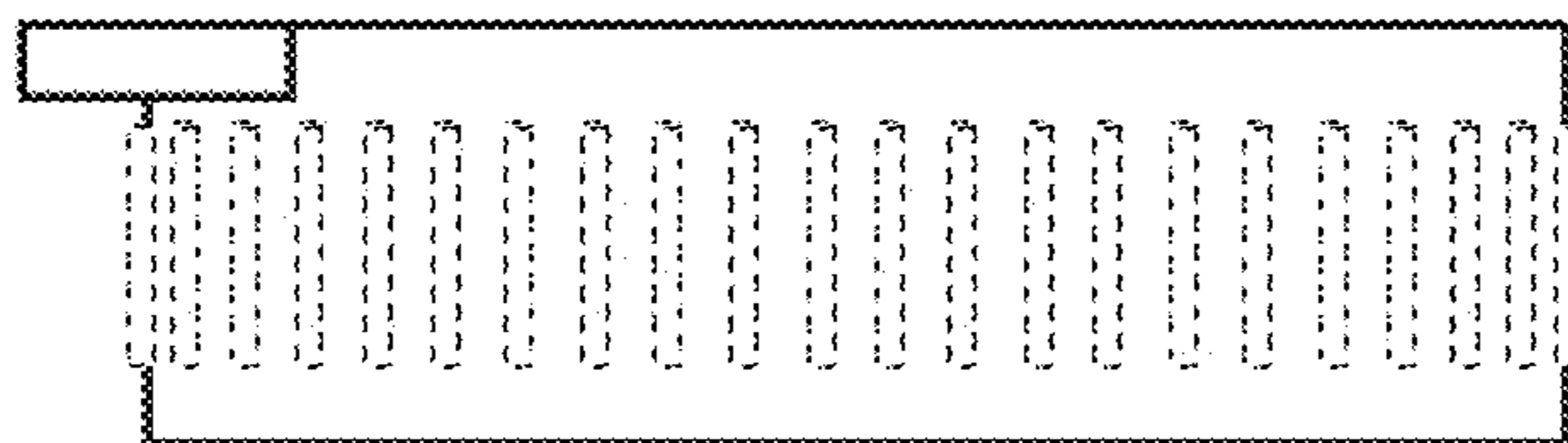


FIG. 25

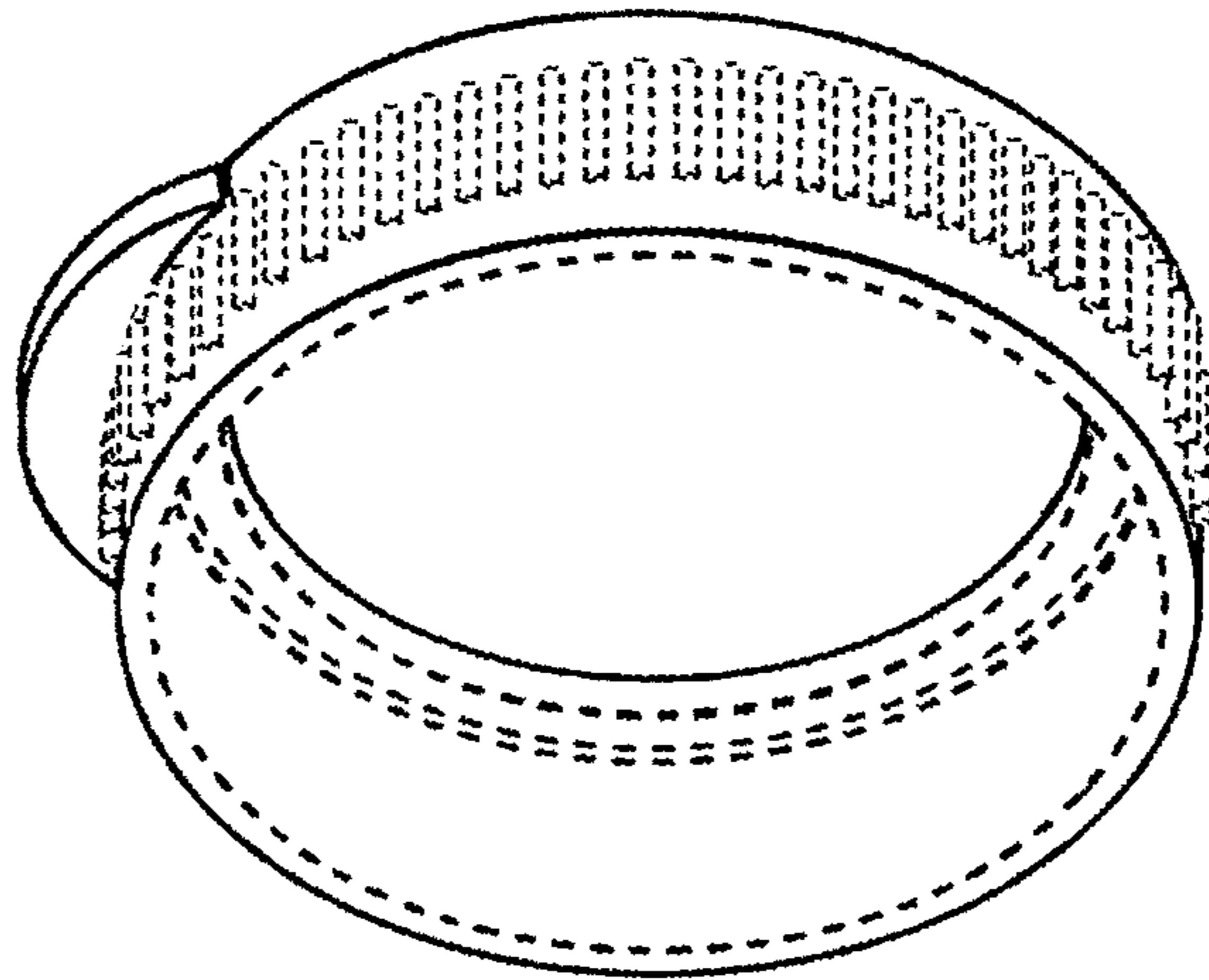


FIG. 26

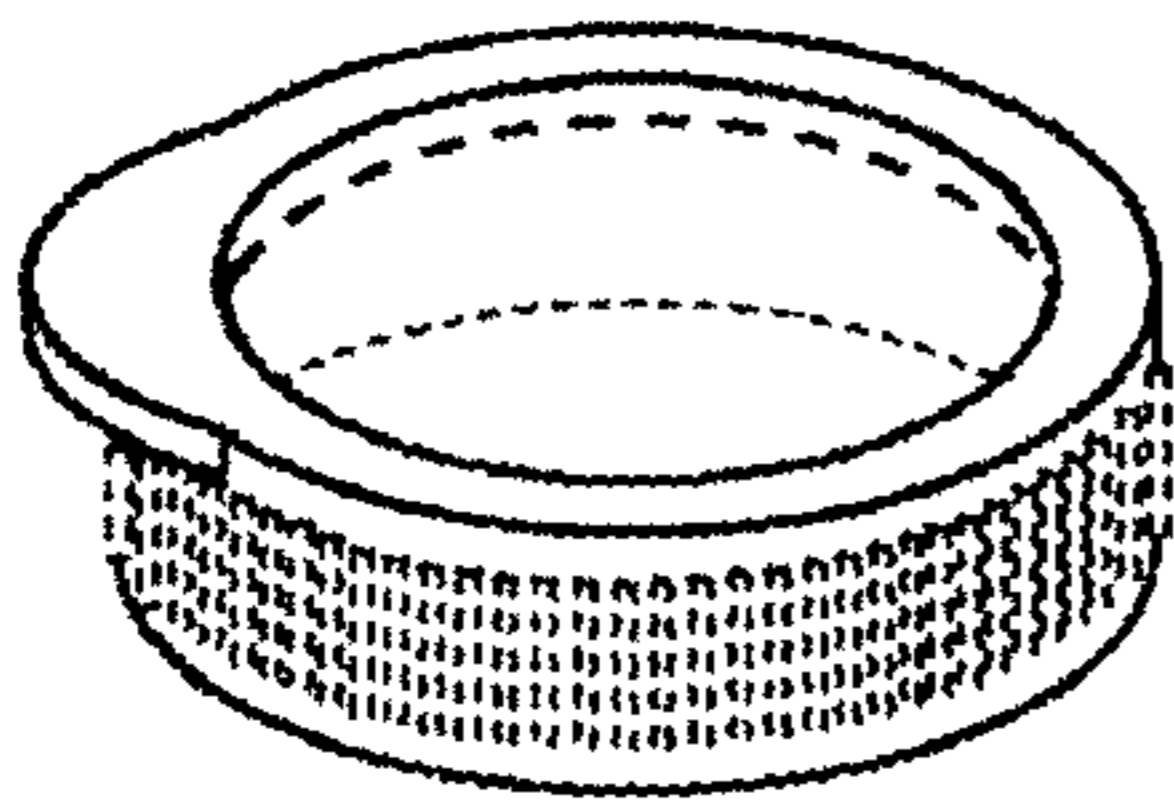


FIG. 27

