



US00D901294S

(12) **United States Design Patent**
McGrath

(10) **Patent No.:** **US D901,294 S**

(45) **Date of Patent:** **** Nov. 10, 2020**

- (54) **COSMETIC BOX**
- (71) Applicant: **Pat McGrath Cosmetics LLC**, New York, NY (US)
- (72) Inventor: **Patricia McGrath**, New York, NY (US)
- (73) Assignee: **Pat McGrath Cosmetics LLC**, New York, NY (US)
- (**) Term: **15 Years**
- (21) Appl. No.: **29/683,814**
- (22) Filed: **Mar. 15, 2019**
- (51) **LOC (12) Cl.** **09-03**
- (52) **U.S. Cl.**
USPC **D9/432; D9/420**
- (58) **Field of Classification Search**
USPC D9/414-423, 430-433, 434, 456, 457, D9/711, 713, 721-722, 737, 756, 758, D9/759, 760
CPC ... B65D 5/00; B65D 5/02; B65D 5/18; B65D 5/20
See application file for complete search history.

- 8,950,659 B2 * 2/2015 Markovic B65D 5/5445
206/257
- 10,322,845 B2 * 6/2019 Boersma B65D 5/5014
- D866,312 S * 11/2019 Ito D9/416
- 2007/0145107 A1 * 6/2007 Figueroa B65D 5/30
229/149
- 2010/0187145 A1 * 7/2010 Mezzini B65D 75/5827
206/460

* cited by examiner

Primary Examiner — Vy N Koenig
(74) *Attorney, Agent, or Firm* — Ziegler IP Law Group, LLC

(57) **CLAIM**

The ornamental design for a cosmetic box, as shown and described.

DESCRIPTION

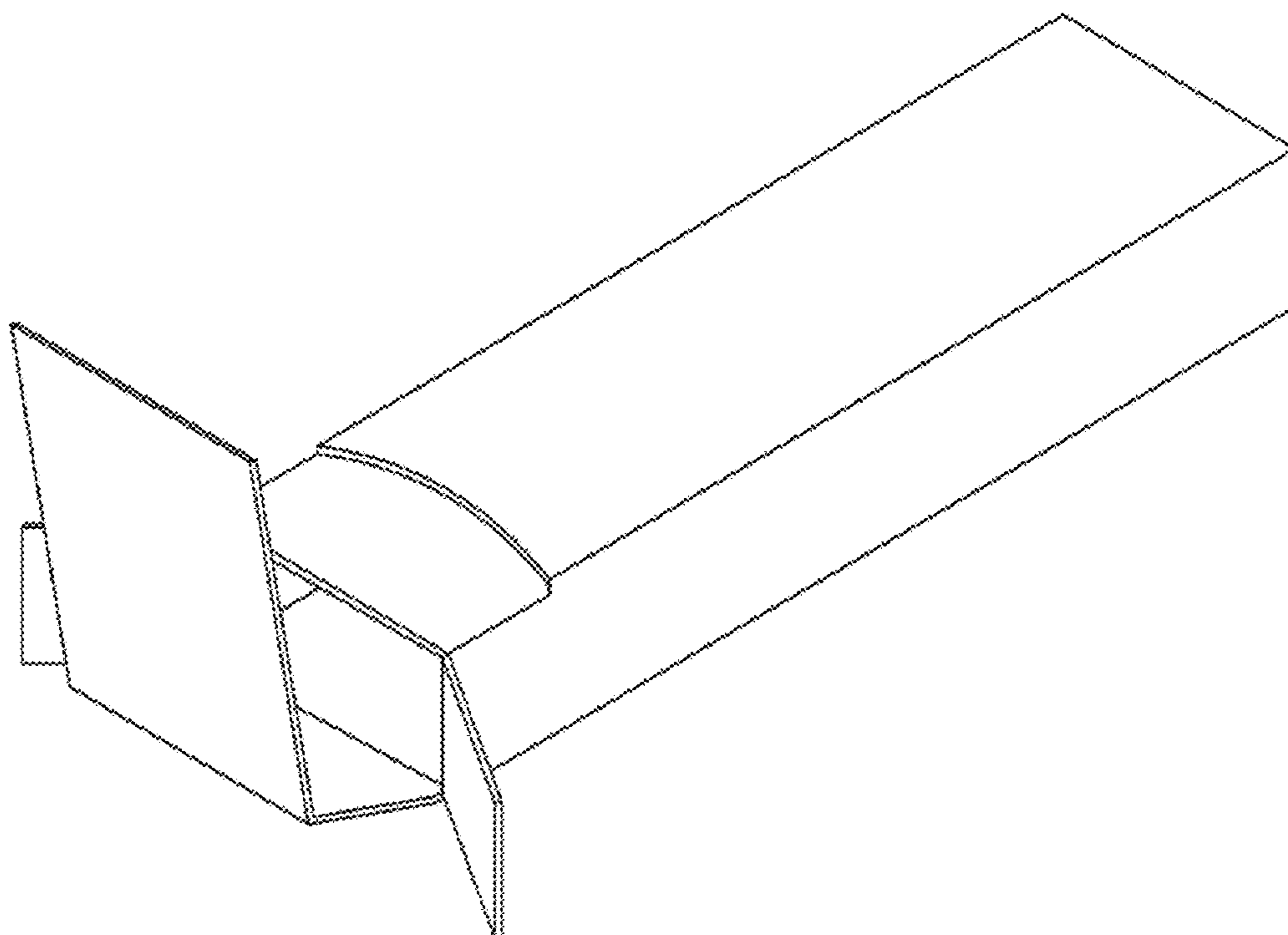
FIG. 1 is a perspective view of a first embodiment of a cosmetic box showing the new design, the cosmetic box shown in a closed state;
FIG. 2 is a perspective view of the cosmetic box of FIG. 1, shown in an open state;
FIG. 3 is a front view thereof;
FIG. 4 is a back view thereof;
FIG. 5 is a side view thereof;
FIG. 6 is another side view thereof;
FIG. 7 is a top view thereof;
FIG. 8 is a bottom view thereof; and,
FIG. 9 is a front view of a second embodiment of the cosmetic box showing the new design, with the back, top, bottom and side views being identical to the first embodiment.

1 Claim, 9 Drawing Sheets

(56) **References Cited**

U.S. PATENT DOCUMENTS

- 6,305,597 B1 * 10/2001 Donegan B65D 5/4204
206/806
- D531,498 S * 11/2006 Fluegel D9/432
- D644,925 S * 9/2011 Jaworski D9/423
- D693,213 S * 11/2013 Lee D9/415



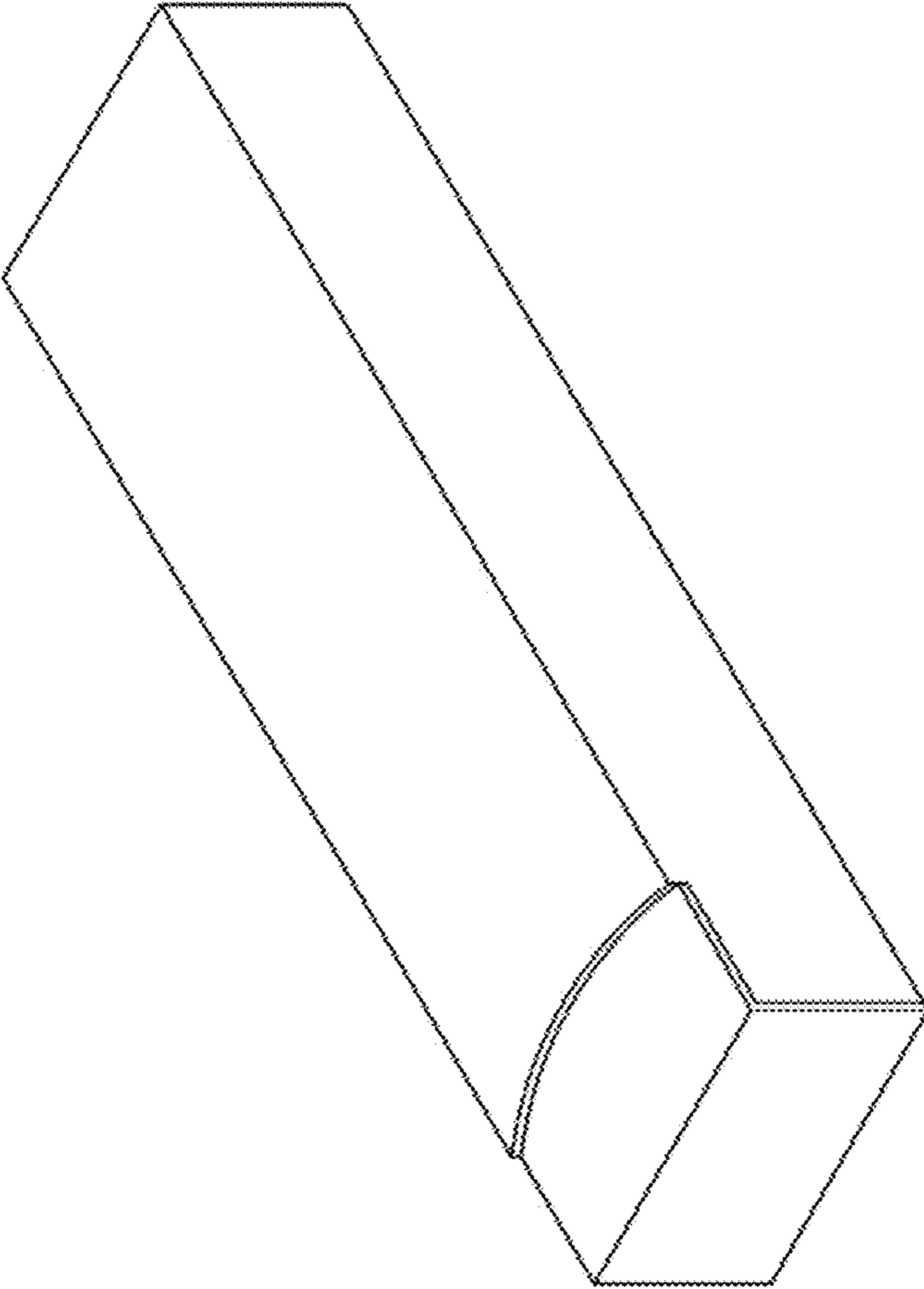


FIG. 1

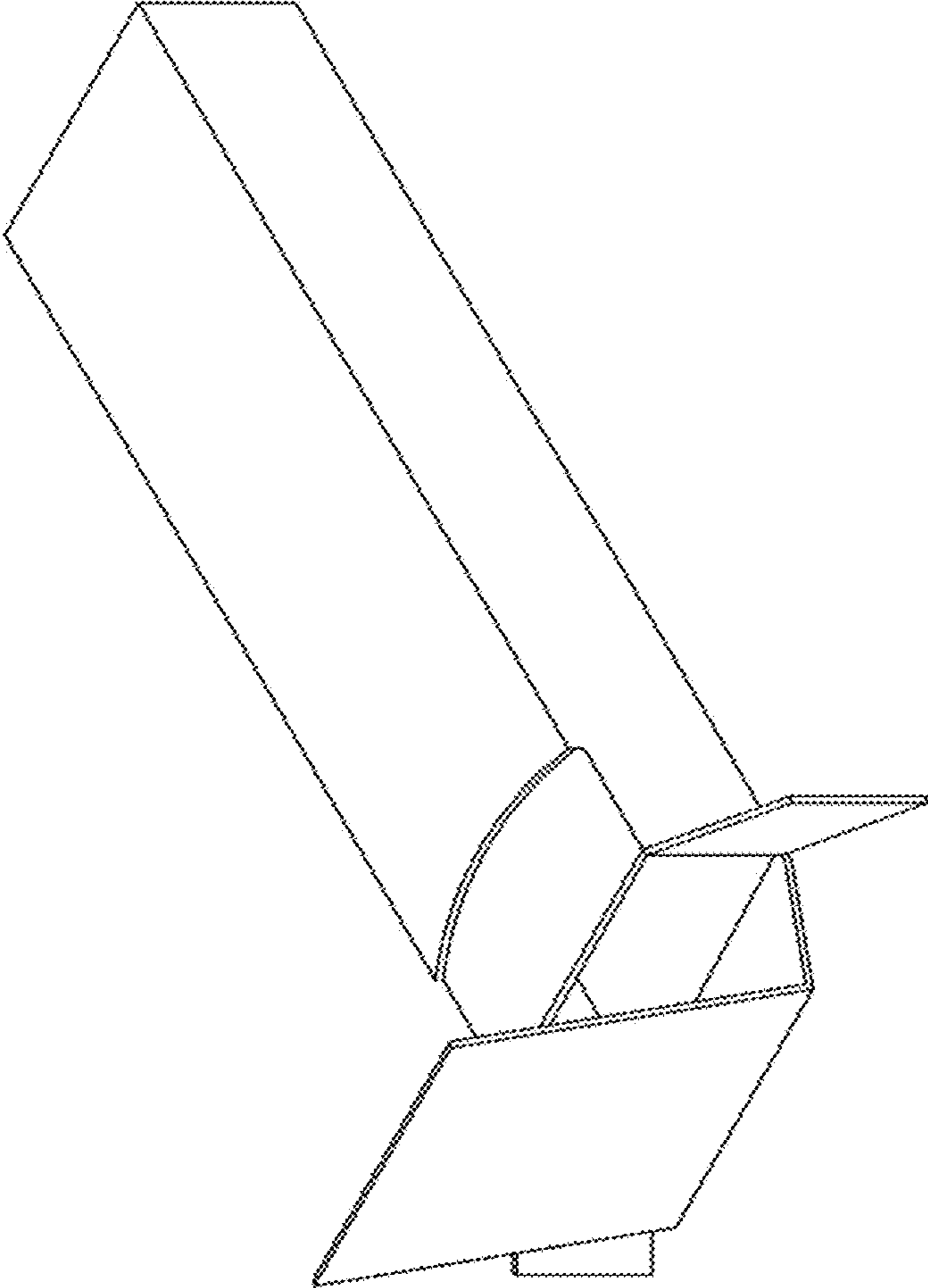


FIG. 2

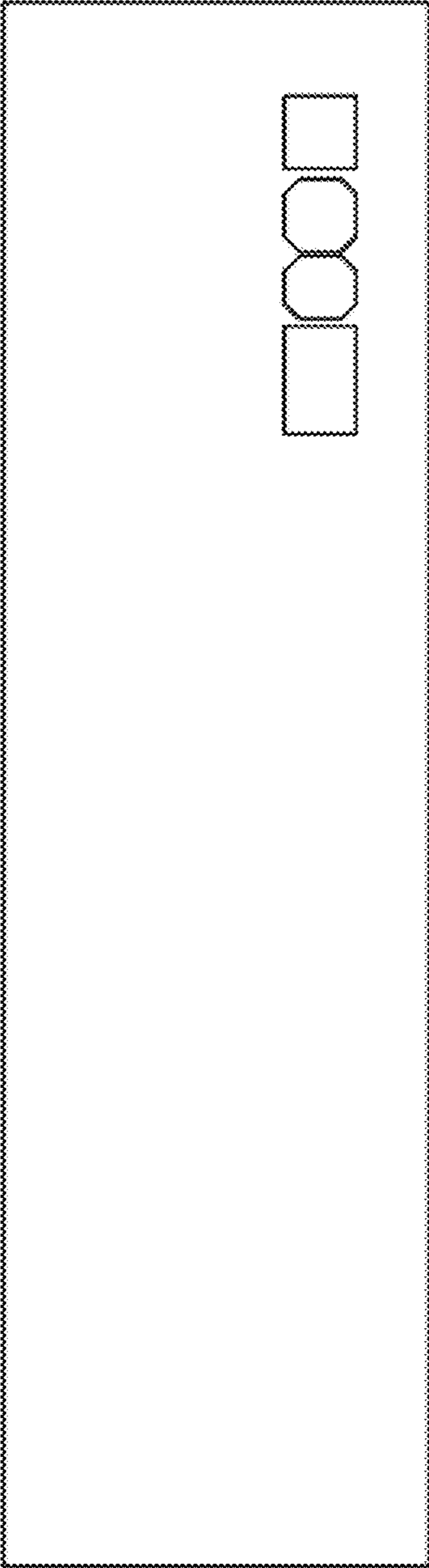


FIG. 3

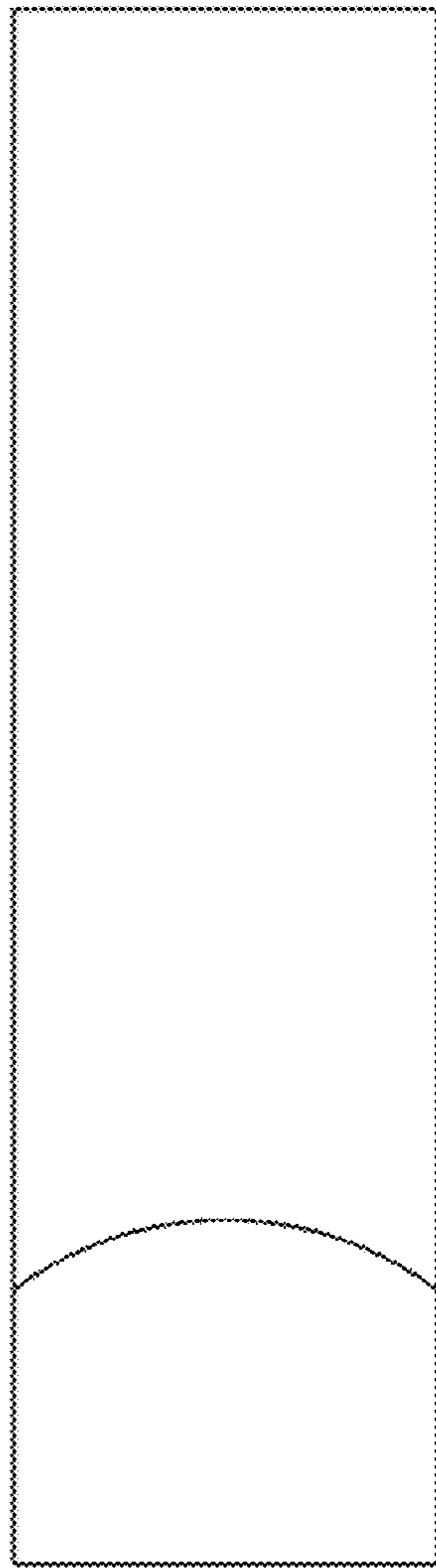


FIG. 4

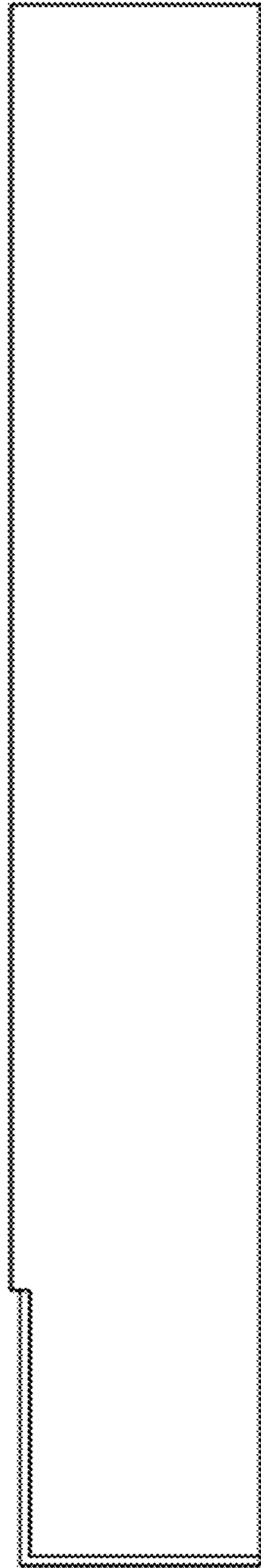


FIG. 5

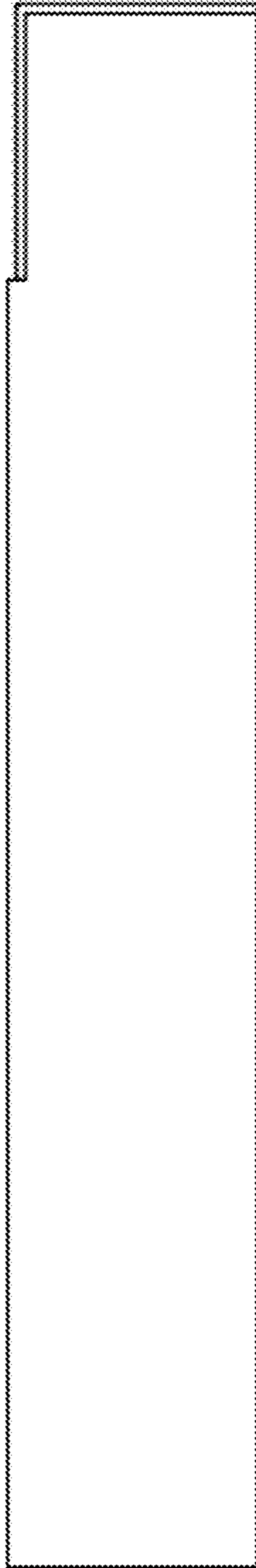


FIG. 6

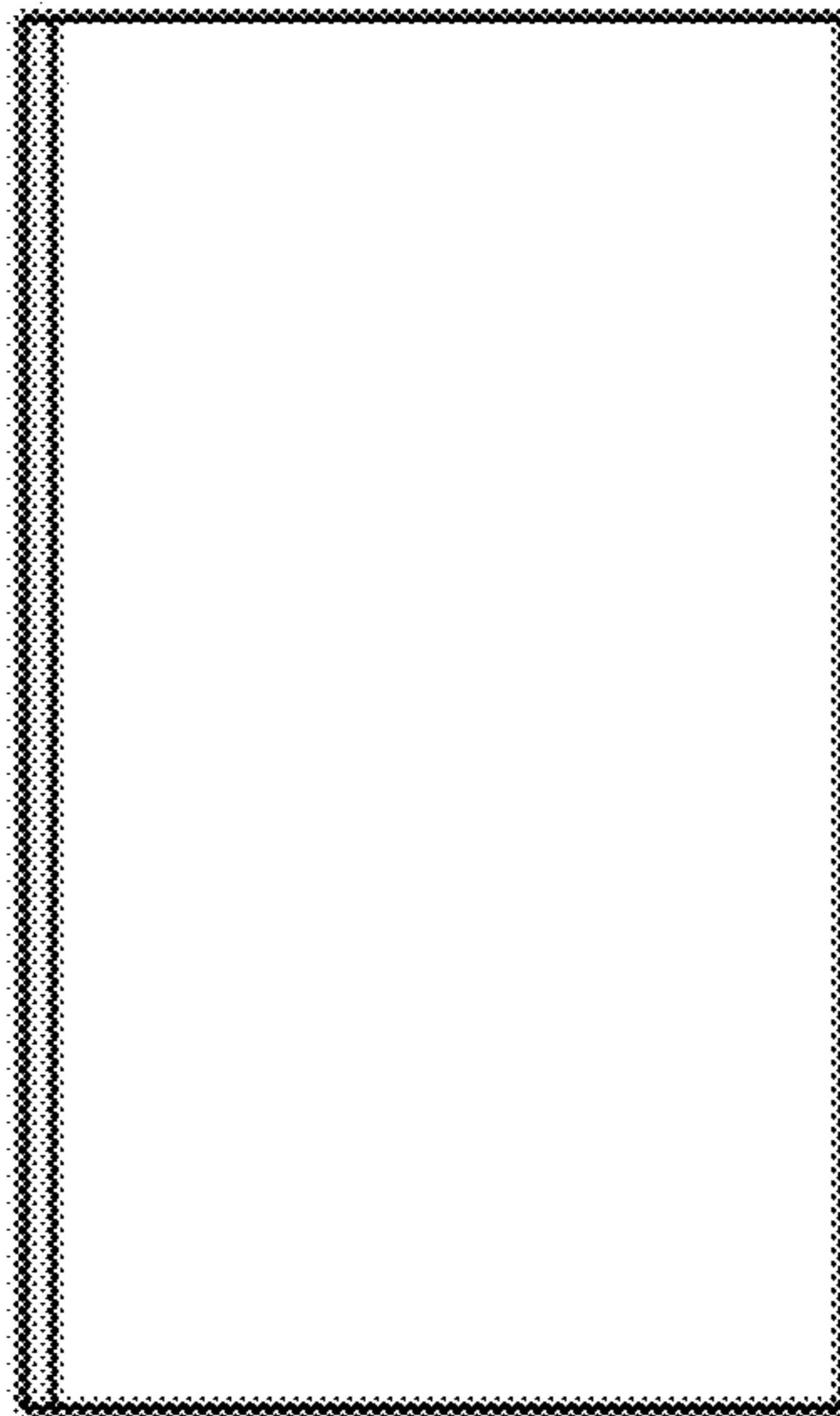


FIG. 7

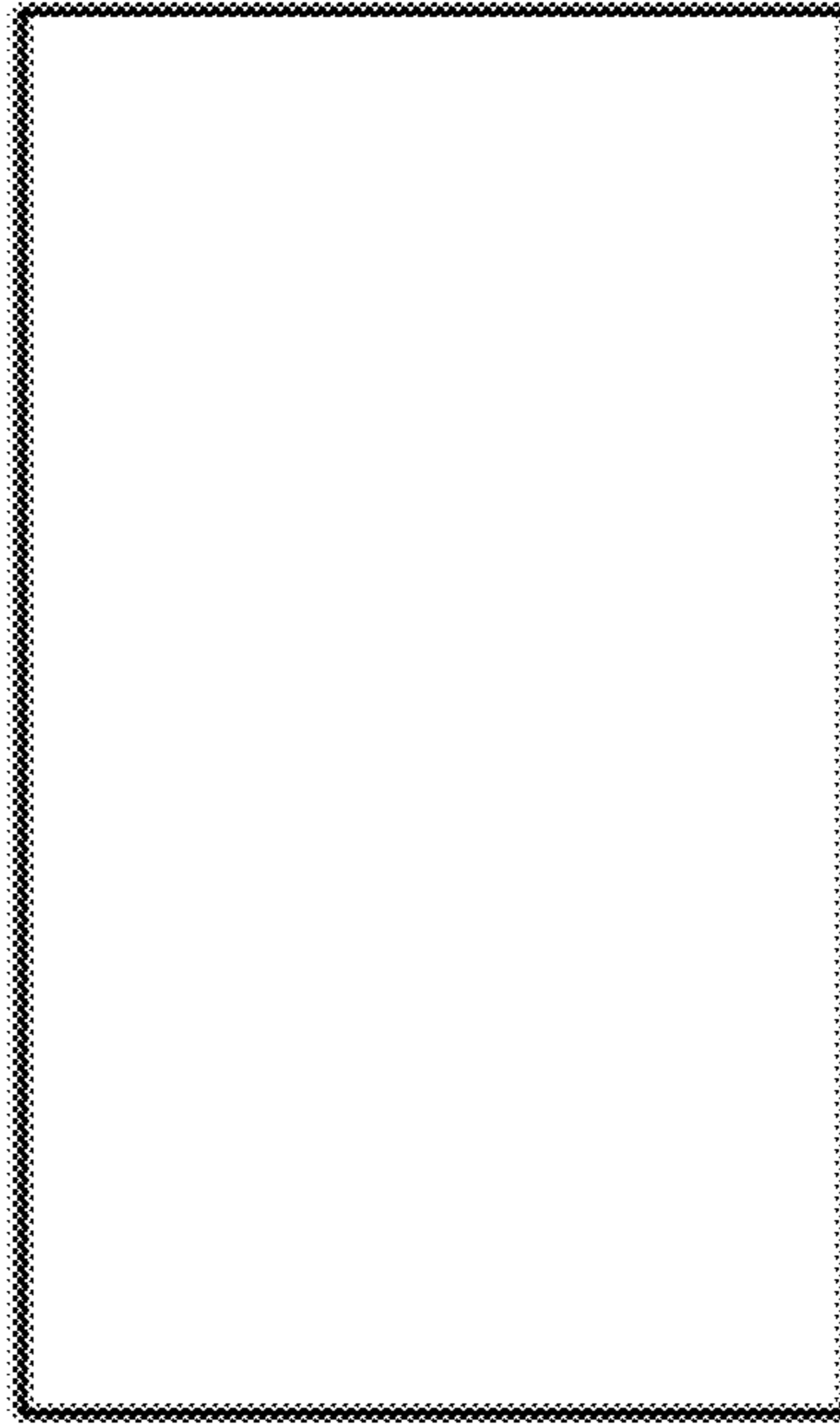


FIG. 8



FIG. 9