



US00D901293S

(12) **United States Design Patent**
Plattner

(10) **Patent No.:** **US D901,293 S**

(45) **Date of Patent:** **** Nov. 10, 2020**

(54) **PACKAGING CONTAINER**

(71) Applicant: **Georg Utz Holding AG**, Bremgarten
(CH)

(72) Inventor: **Patrik Plattner**, Sarmenstorf (CH)

(**) Term: **15 Years**

(21) Appl. No.: **35/507,048**

(22) Filed: **Jan. 30, 2019**

(80) **Hague Agreement Data**

Int. Filing Date: **Jan. 30, 2019**

Int. Reg. No.: **DM/201740**

Int. Reg. Date: **Jan. 30, 2019**

Int. Reg. Pub. Date: **Jul. 5, 2019**

(51) **LOC (12) Cl.** **09-03**

(52) **U.S. Cl.**
USPC **D9/425**; D3/304; D9/432

(58) **Field of Classification Search**
USPC D7/213, 500, 538, 560, 565, 584, 585,
D7/601, 602, 610, 612, 629, 630, 707;
D9/420, 425, 426, 428, 772, 773, 775,
D9/776, 781, 414, 424, 429, 432;
D3/201, 272, 273, 304
CPC .. B65D 21/0213; B65D 21/2016; B65D 1/22;
B65D 1/46

See application file for complete search history.

(56) **References Cited**

U.S. PATENT DOCUMENTS

- 3,273,738 A * 9/1966 Blanco B65D 9/12
217/12 R
- 3,508,679 A * 4/1970 Semple B65D 1/40
220/675
- D286,937 S * 11/1986 Schafer D3/272
- 4,756,420 A * 7/1988 Deaton B65D 1/22
206/514
- D333,783 S * 3/1993 Perugini D3/272

- D363,662 S * 10/1995 Plater D3/304
- D415,866 S * 10/1999 Huang D3/304
- D439,839 S * 4/2001 Wolf D9/425
- D555,476 S * 11/2007 Nielsen D9/425
- D572,902 S * 7/2008 Schafer D3/272
- D579,658 S * 11/2008 Weng D3/272
- D630,899 S * 1/2011 Samartgis D7/602
- D639,154 S * 6/2011 Chen D9/424
- D665,662 S * 8/2012 Schick D9/425
- D668,047 S * 10/2012 Cenzano D3/272
- 8,707,874 B2 * 4/2014 Ritzberger B65D 21/0235
108/51.11
- 8,739,706 B2 * 6/2014 Dubois B65D 19/0063
108/56.1
- 8,844,759 B2 * 9/2014 Dubois B65D 1/48
220/646
- D717,120 S * 11/2014 Carlson D7/602
- 8,950,342 B2 * 2/2015 Plattner B65D 19/0016
108/56.3

(Continued)

OTHER PUBLICATIONS

Suba. Electrically conductive products ESD. No date specified.
<https://www.suba.com.au/product-listing/utz-esd-storage/> (Year: 0).*

Primary Examiner — Darcey E Gottschalk

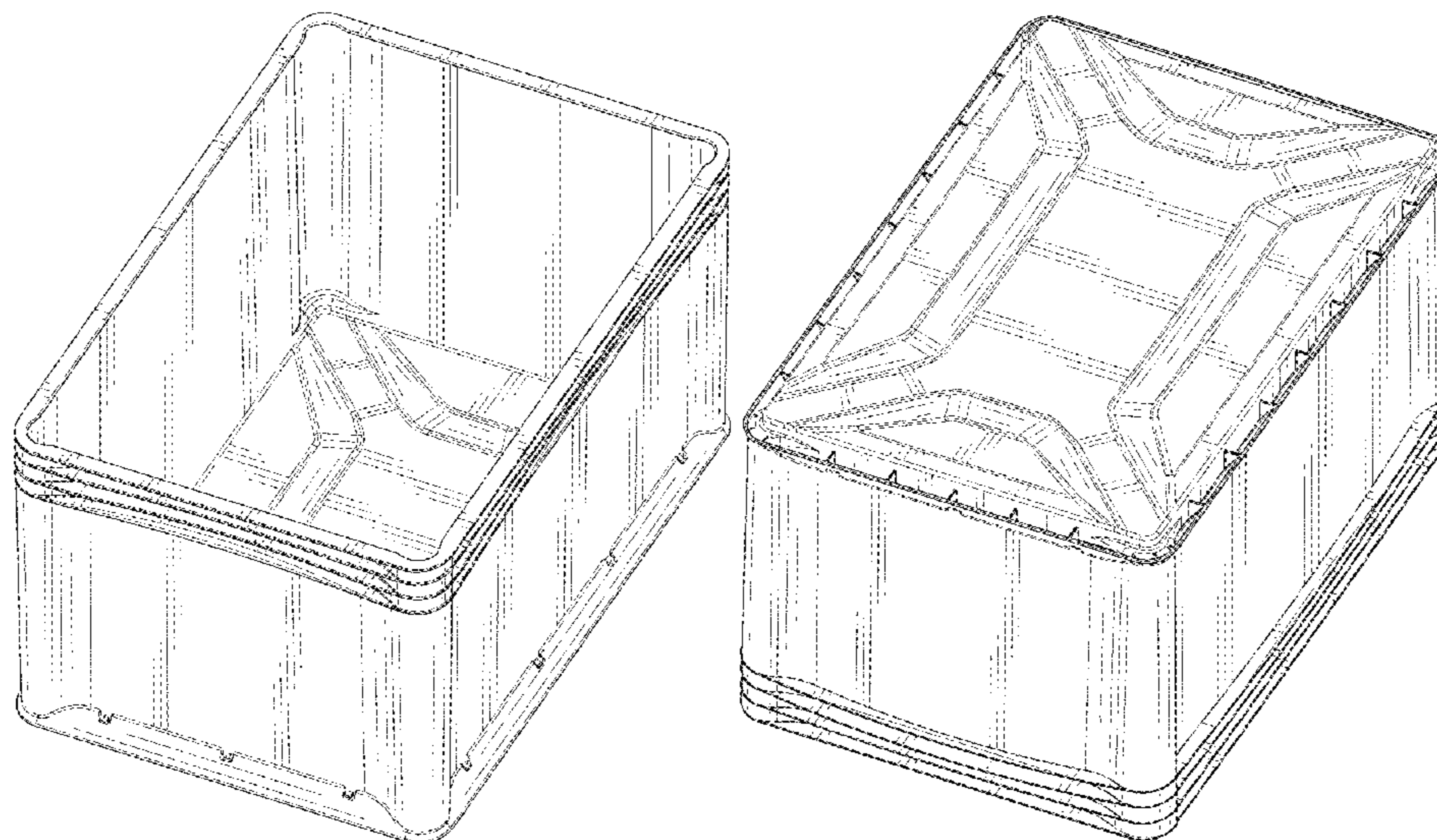
(57) **CLAIM**

The ornamental design for a packaging container, as shown and described.

DESCRIPTION

- 1. Packaging container
- 1.1 : Perspective
- 1.2 : Perspective
- 1.3 : Back
- 1.4 : Front
- 1.5 : Right
- 1.6 : Left
- 1.7 : Top
- 1.8 : Bottom

1 Claim, 8 Drawing Sheets



(56)

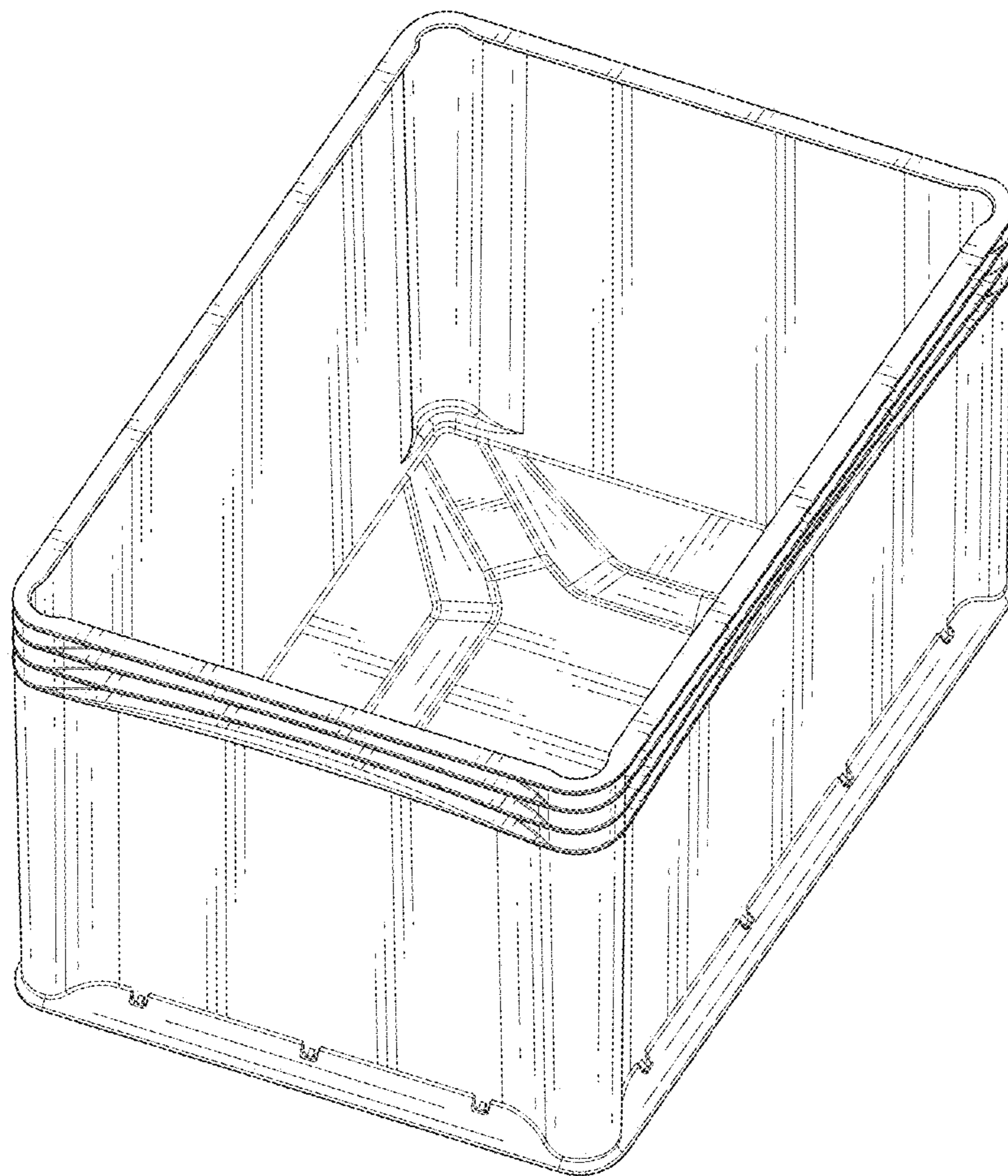
References Cited

U.S. PATENT DOCUMENTS

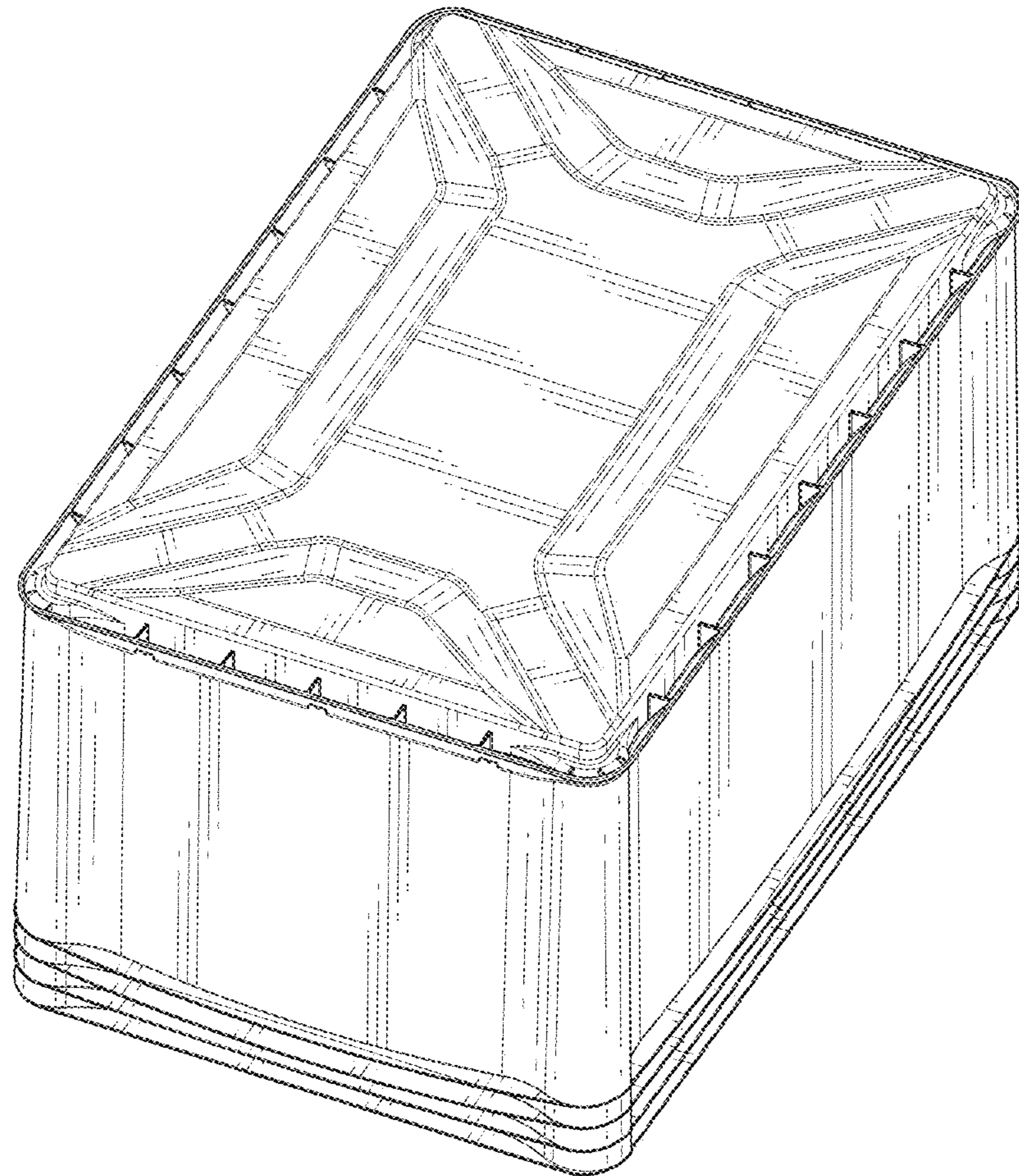
9,033,183	B2 *	5/2015	Hug	B65D 11/1853 220/720
D745,335	S *	12/2015	Kyle	D7/629
D751,349	S *	3/2016	Carlson	D7/629
9,981,778	B2 *	5/2018	Plattner	B65D 25/06
10,239,661	B2 *	3/2019	Plattner	B65D 21/0213
D848,146	S *	5/2019	Kincade	D3/272
D848,149	S *	5/2019	Chen	D3/302
D856,673	S *	8/2019	Stirnemann	D3/273
D859,836	S *	9/2019	Ritzberger	D3/309
2001/0019063	A1 *	9/2001	Apps	B65D 1/22 220/771
2003/0024844	A1 *	2/2003	Hammett	B65D 1/22 206/505
2007/0007293	A1 *	1/2007	Sambrailo	B65D 1/22 220/366.1
2014/0117014	A1 *	5/2014	Schwab	B65D 5/005 220/23.83
2014/0137775	A1 *	5/2014	Plattner	B65D 19/001 108/57.26
2016/0325885	A1 *	11/2016	Plattner	B65D 25/06
2017/0001756	A1 *	1/2017	Plattner	B65D 21/0213

* cited by examiner

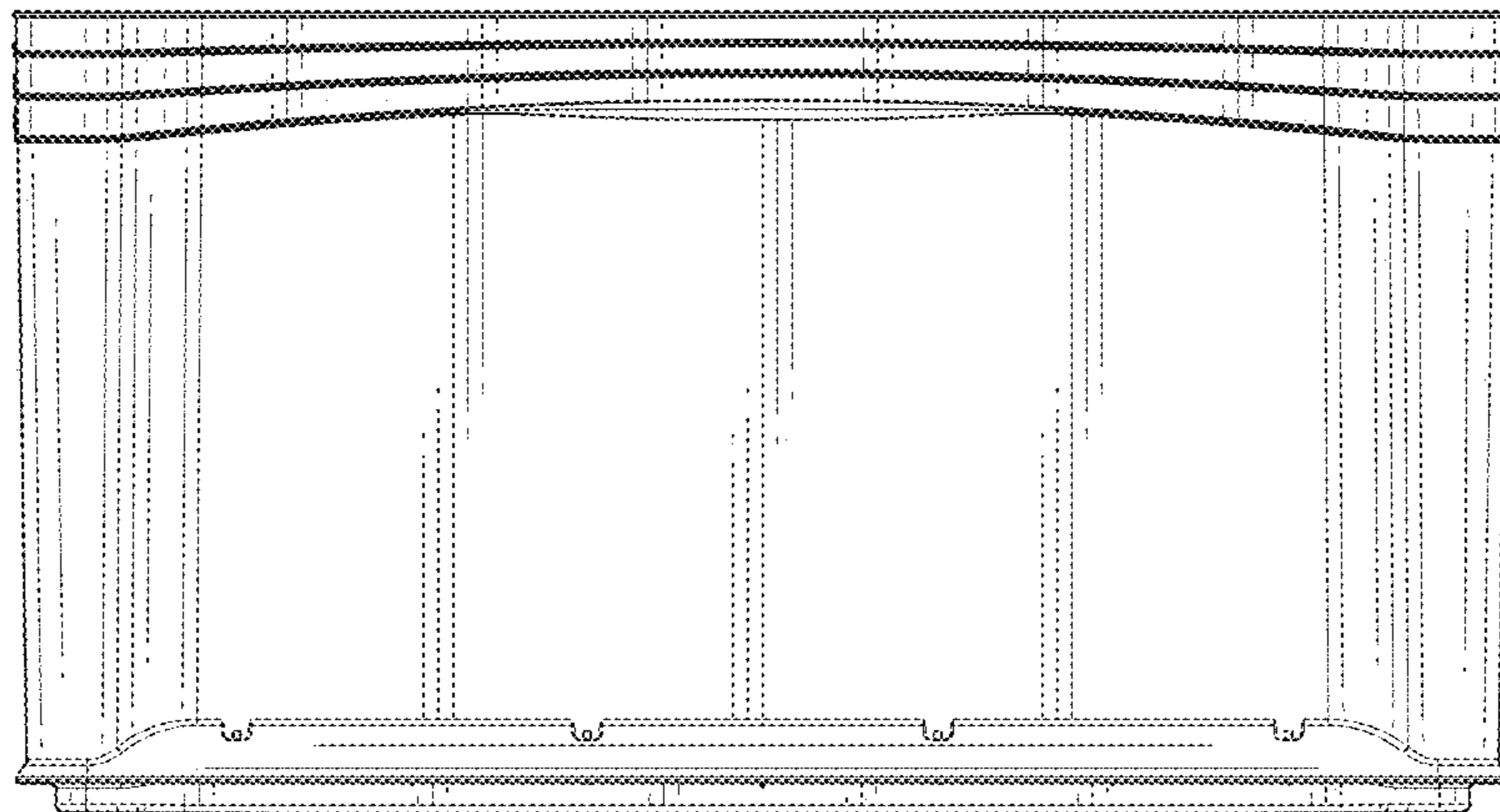
1.1



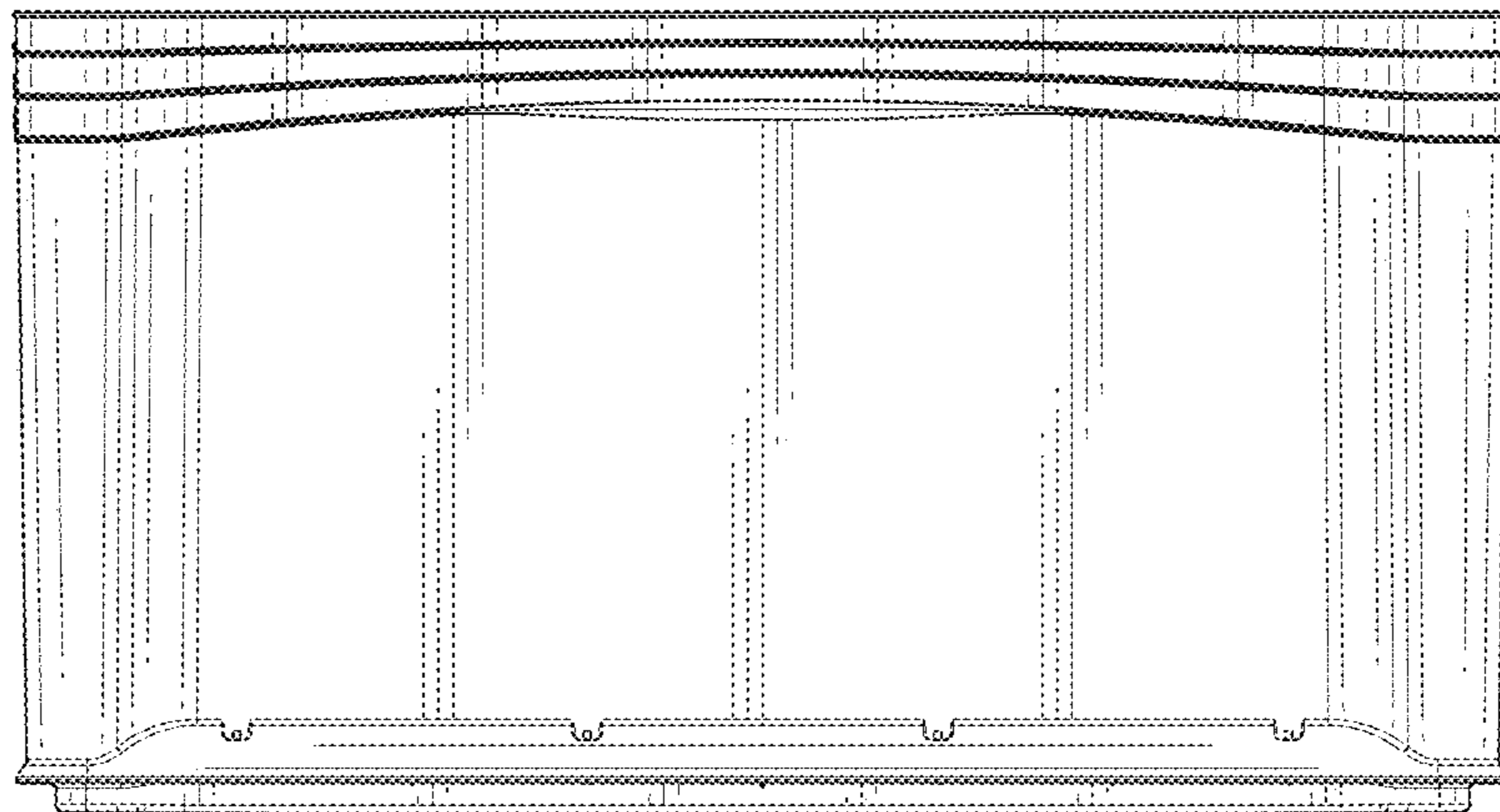
1.2



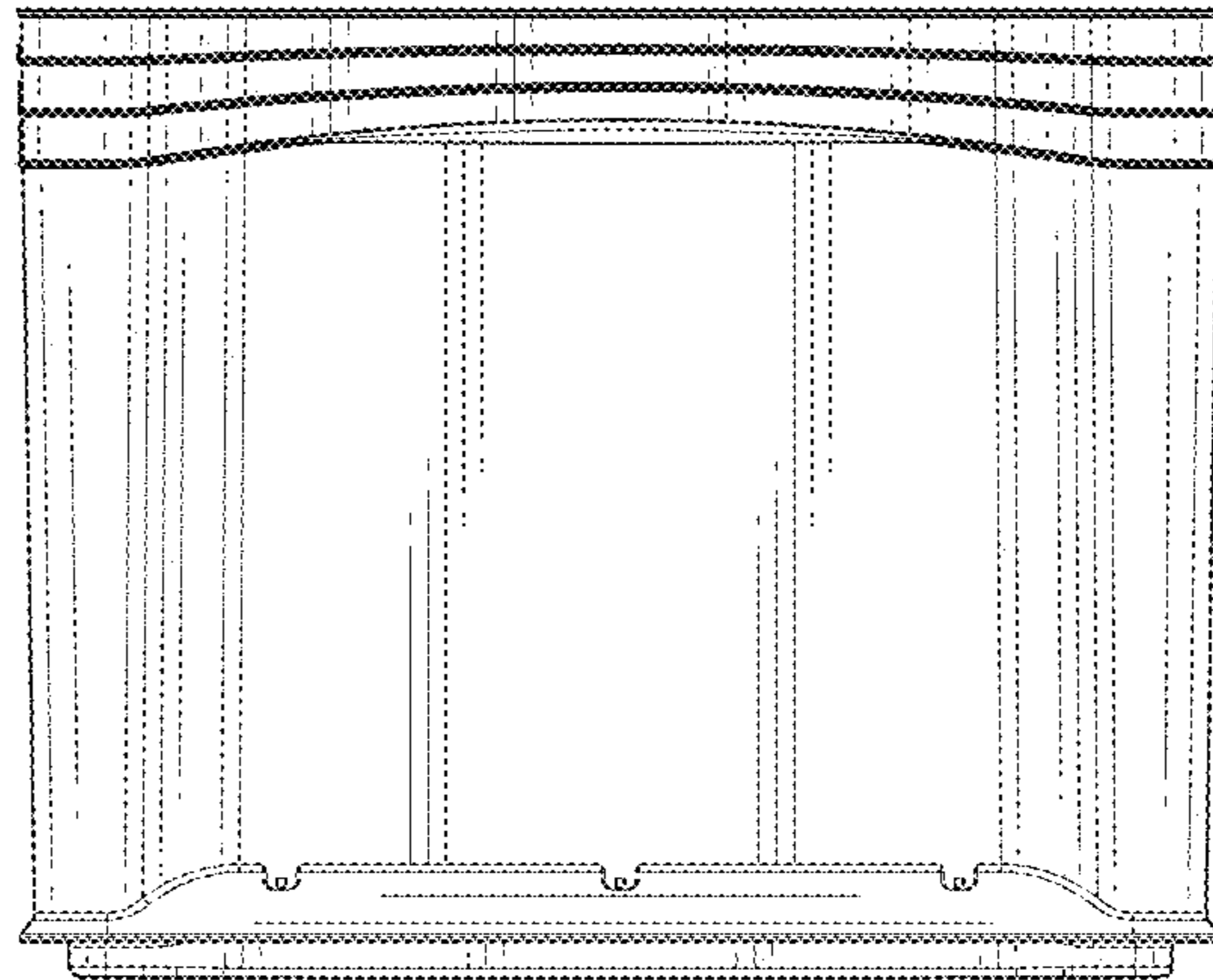
1.3



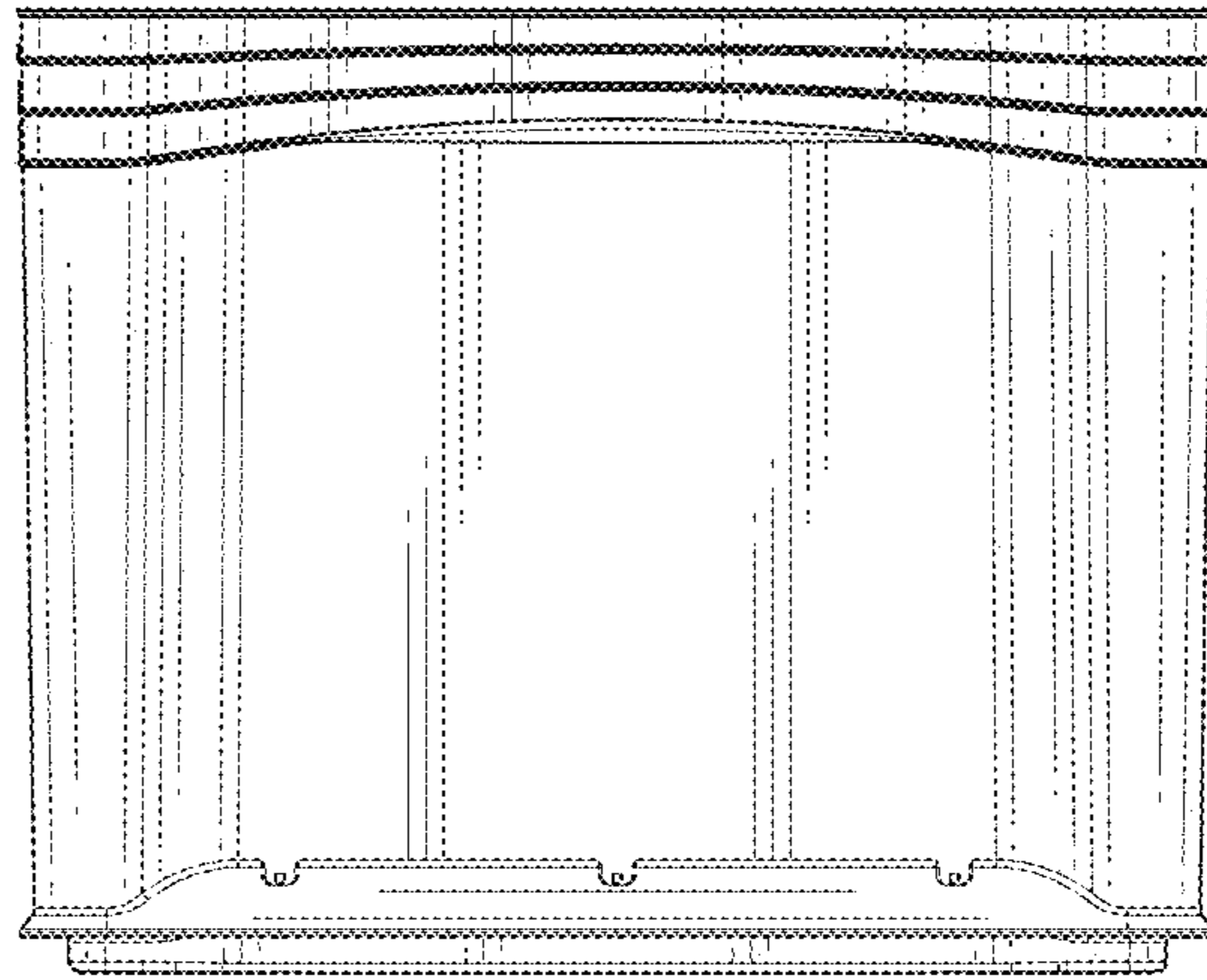
1.4



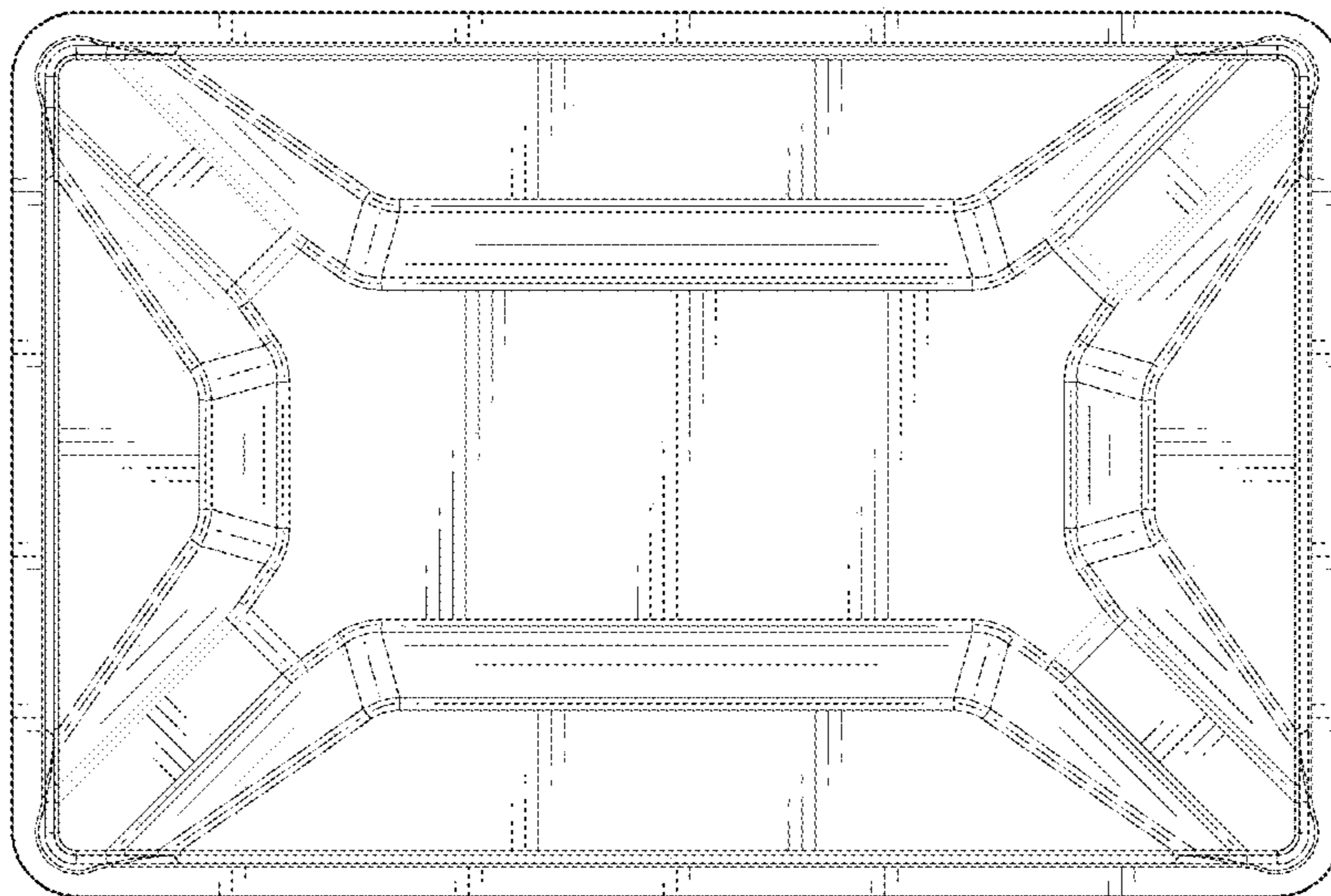
1.5



1.6



1.7



1.8

