



US00D901292S

(12) **United States Design Patent** (10) **Patent No.:** **US D901,292 S**
Grimsley et al. (45) **Date of Patent:** **** Nov. 10, 2020**

(54) **CONTAINER WITH EYELET**
(71) Applicant: **MOLDEX-METRIC, INC.**, Culver City, CA (US)
(72) Inventors: **Terry L. Grimsley**, Torrance, CA (US); **Mark Magidson**, Los Angeles, CA (US)
(73) Assignee: **MOLDEX-METRIC, INC.**, Culver City, CA (US)
(**) Term: **15 Years**
(21) Appl. No.: **29/638,908**
(22) Filed: **Mar. 1, 2018**
(51) **LOC (12) Cl.** **09-03**
(52) **U.S. Cl.**
USPC **D9/423**
(58) **Field of Classification Search**
USPC D9/423, 424, 449, 428, 435, 426;
D28/82, 78; D15/5; D24/177; D27/189,
D27/172; D3/218; D6/536; D14/189
CPC A45D 40/22; B65D 1/36; B65D 43/161
See application file for complete search history.

D428,209 S * 7/2000 Kudo D28/78
D519,983 S * 5/2006 Tompkins D14/189
D529,802 S * 10/2006 Jelich D9/449
D530,204 S * 10/2006 Zaidman D9/449
D609,855 S * 2/2010 Patel D27/189
D612,595 S * 3/2010 McCurdy D3/218
D640,131 S * 6/2011 Gibson D9/426
D654,788 S * 2/2012 Bougoulas D9/424
D665,253 S * 8/2012 Bellamah D9/424
D665,259 S * 8/2012 Dunn D9/435
D672,642 S * 12/2012 Supranowicz D9/420
D674,688 S * 1/2013 Loftin D9/428
D694,102 S * 11/2013 Bellamah D9/424
D708,339 S * 7/2014 McGarry D24/177
D736,263 S * 8/2015 Schultz D15/5
D788,371 S * 5/2017 Lee D28/82
D863,677 S * 10/2019 Chung D27/172

* cited by examiner

Primary Examiner — Rhea Shields

(74) *Attorney, Agent, or Firm* — Charles H. Schwartz

(57) **CLAIM**

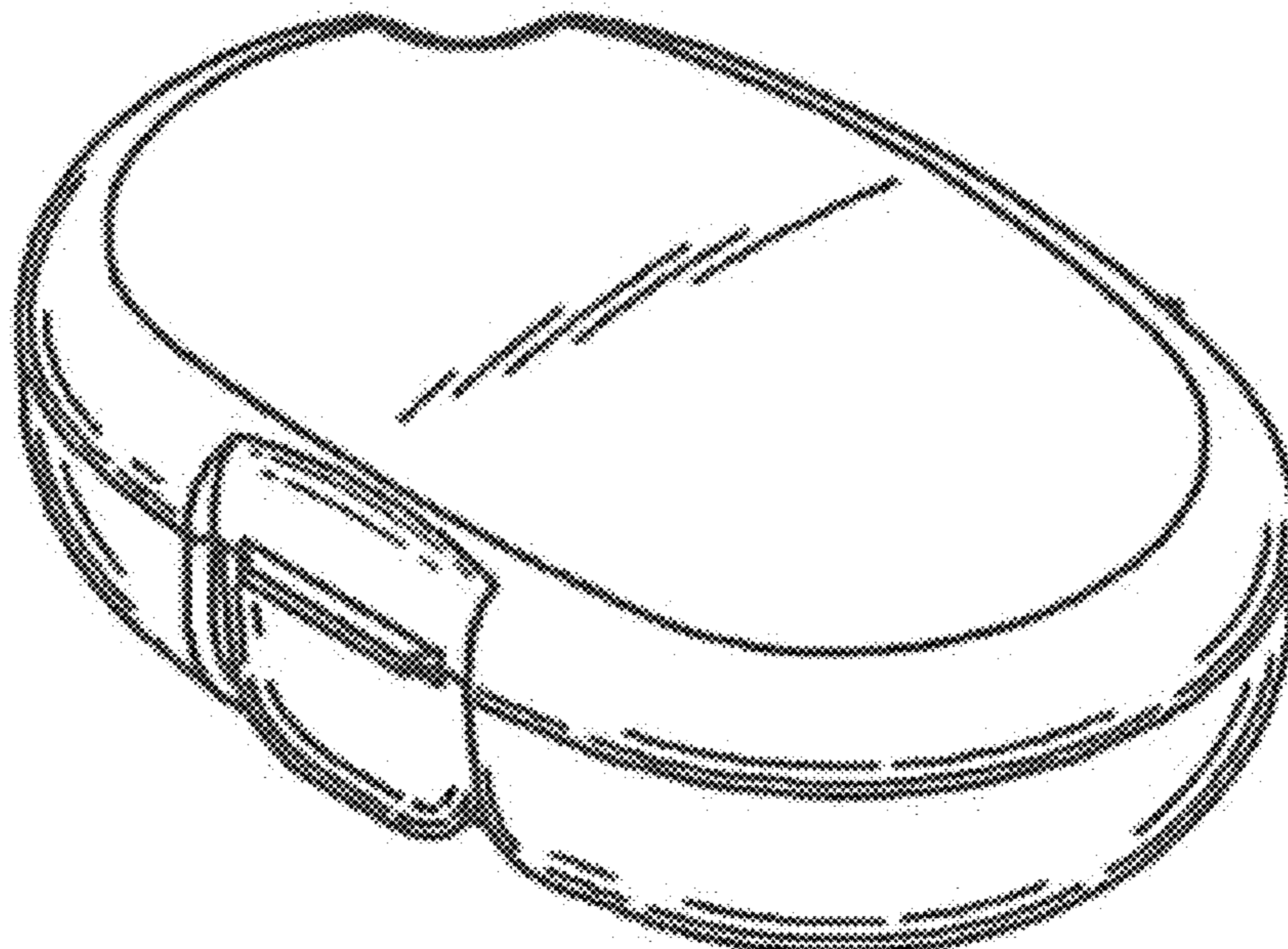
The ornamental design for a container with eyelet, as shown and described.

DESCRIPTION

FIG. 1 is a front perspective view of a container with eyelet, according to our design;
FIG. 2 is a rear perspective view thereof;
FIG. 3 is a front view thereof;
FIG. 4 is a back view thereof;
FIG. 5 is a top plan view thereof;
FIG. 6 is a bottom plan view thereof;
FIG. 7 is a left side elevational view thereof; and,
FIG. 8 is a right side elevation view thereof.
In FIG. 6, the broken lines are for the purpose of illustrating portions of the container with eyelet that form no part of the claimed design.

1 Claim, 2 Drawing Sheets

(56) **References Cited**
U.S. PATENT DOCUMENTS
3,421,654 A * 1/1969 Hexel B65D 43/161
220/254.3
3,487,972 A * 1/1970 Swett B65D 1/36
220/526
4,132,306 A * 1/1979 Margolin A45D 40/22
206/37
D339,882 S * 9/1993 Chevassus D28/82
D345,305 S * 3/1994 Host D9/423
D349,207 S * 8/1994 Wolff D6/536
D361,406 S * 8/1995 Desgrippes D28/78



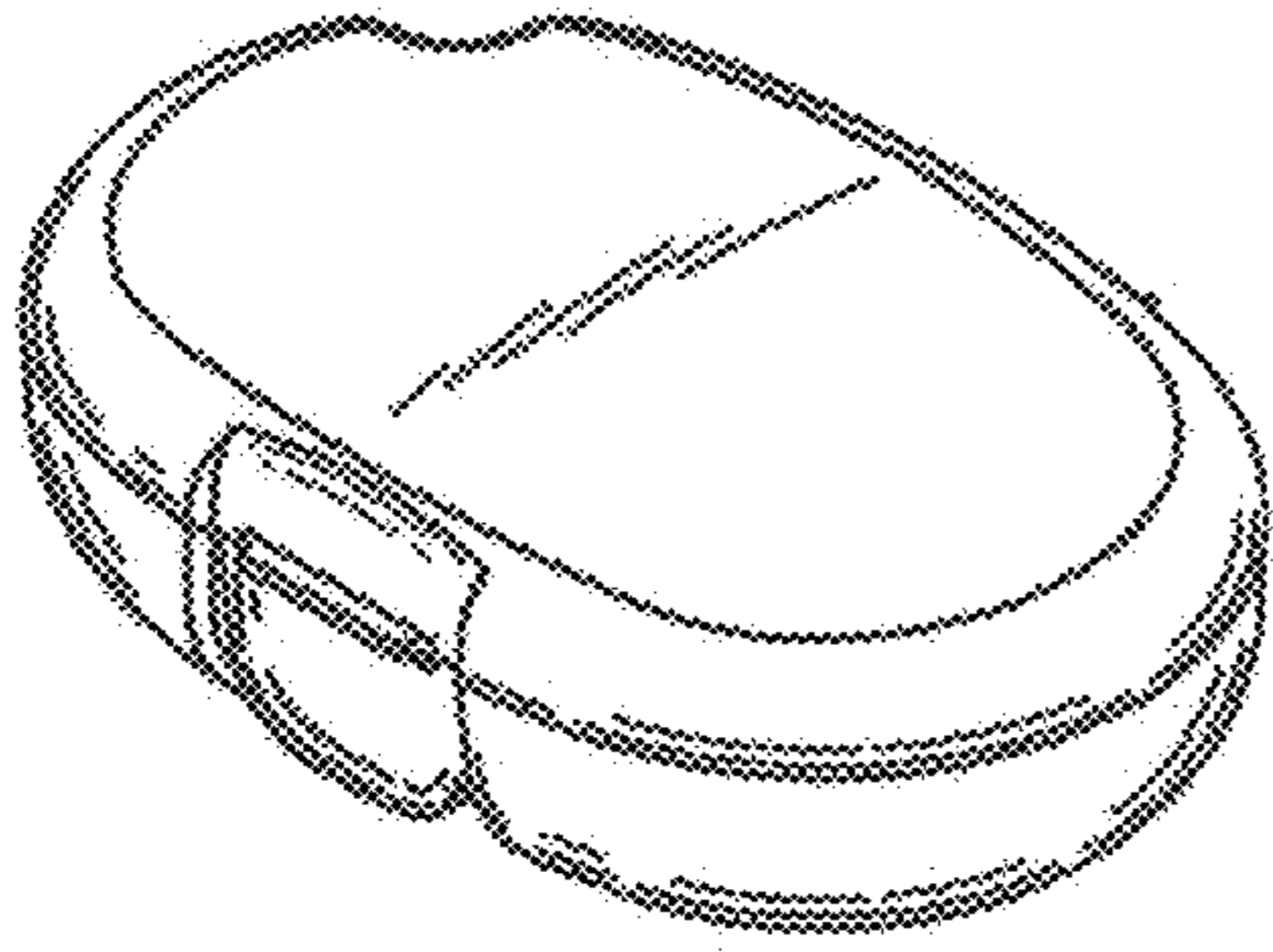


FIG. 1

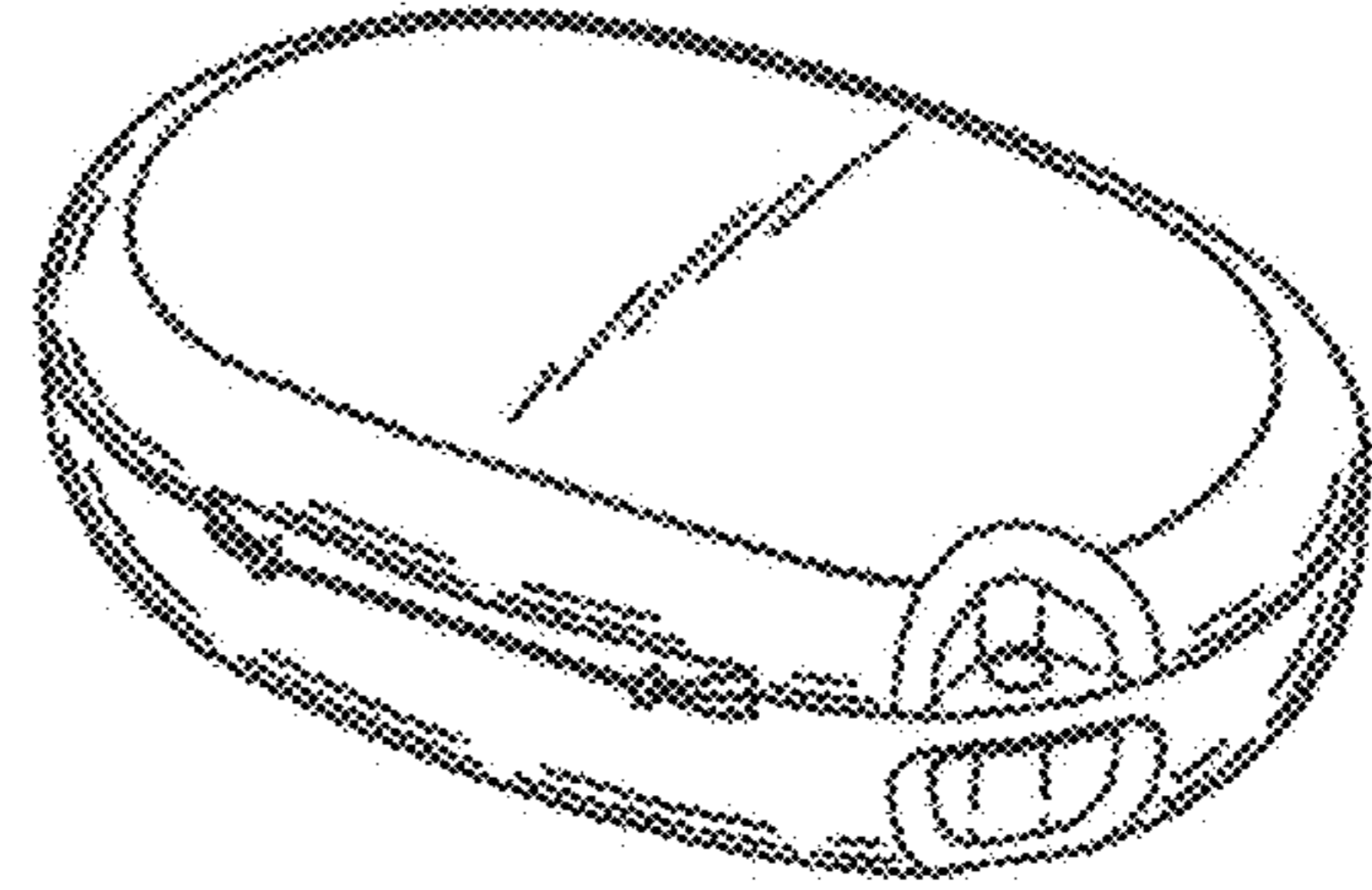


FIG. 2

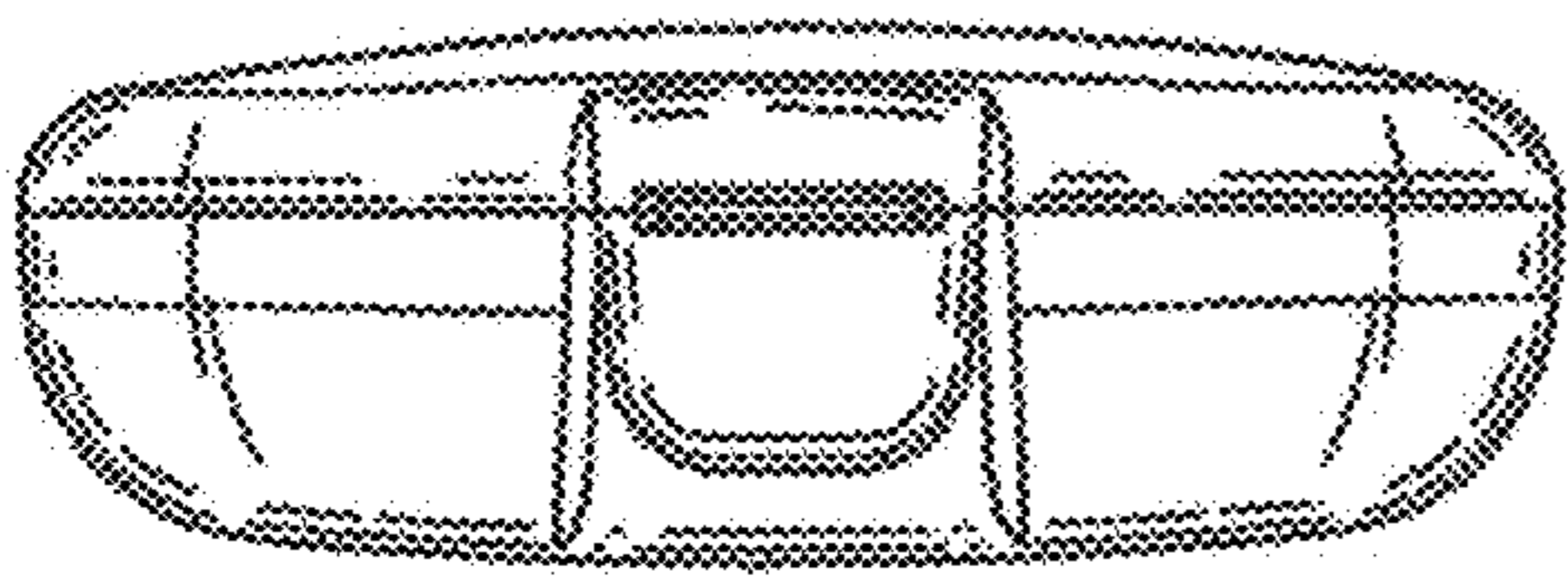


FIG. 3

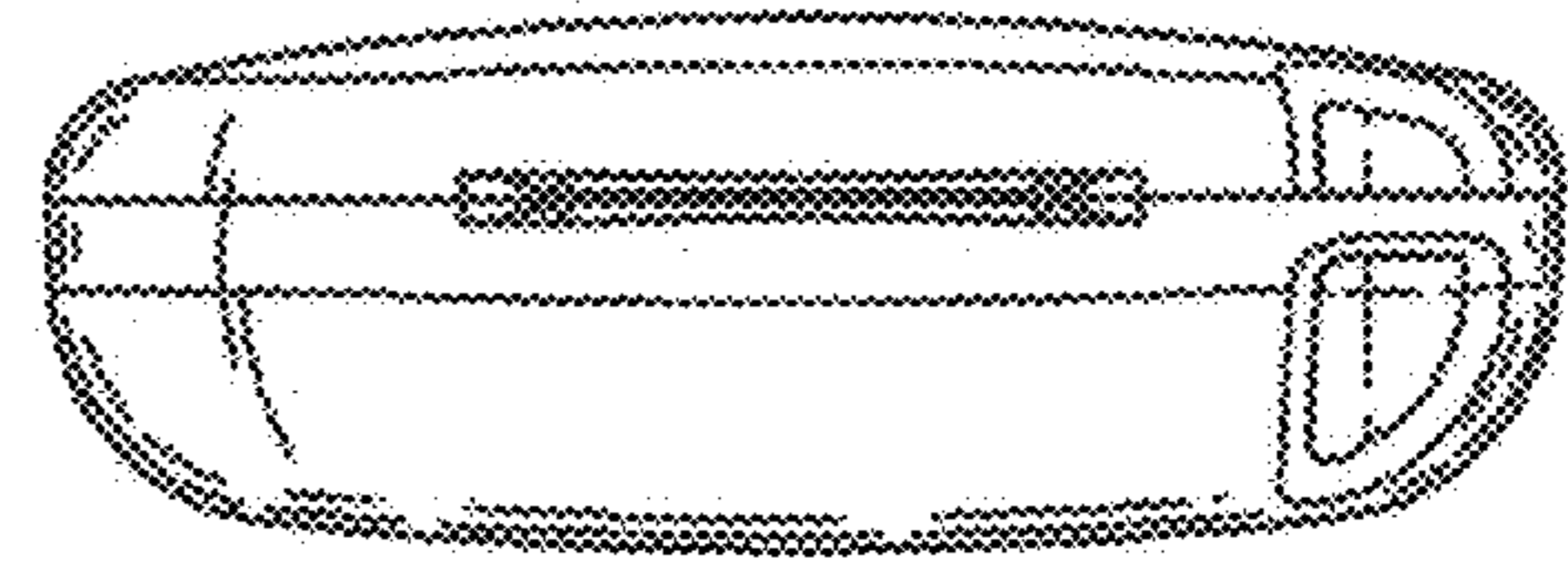


FIG. 4

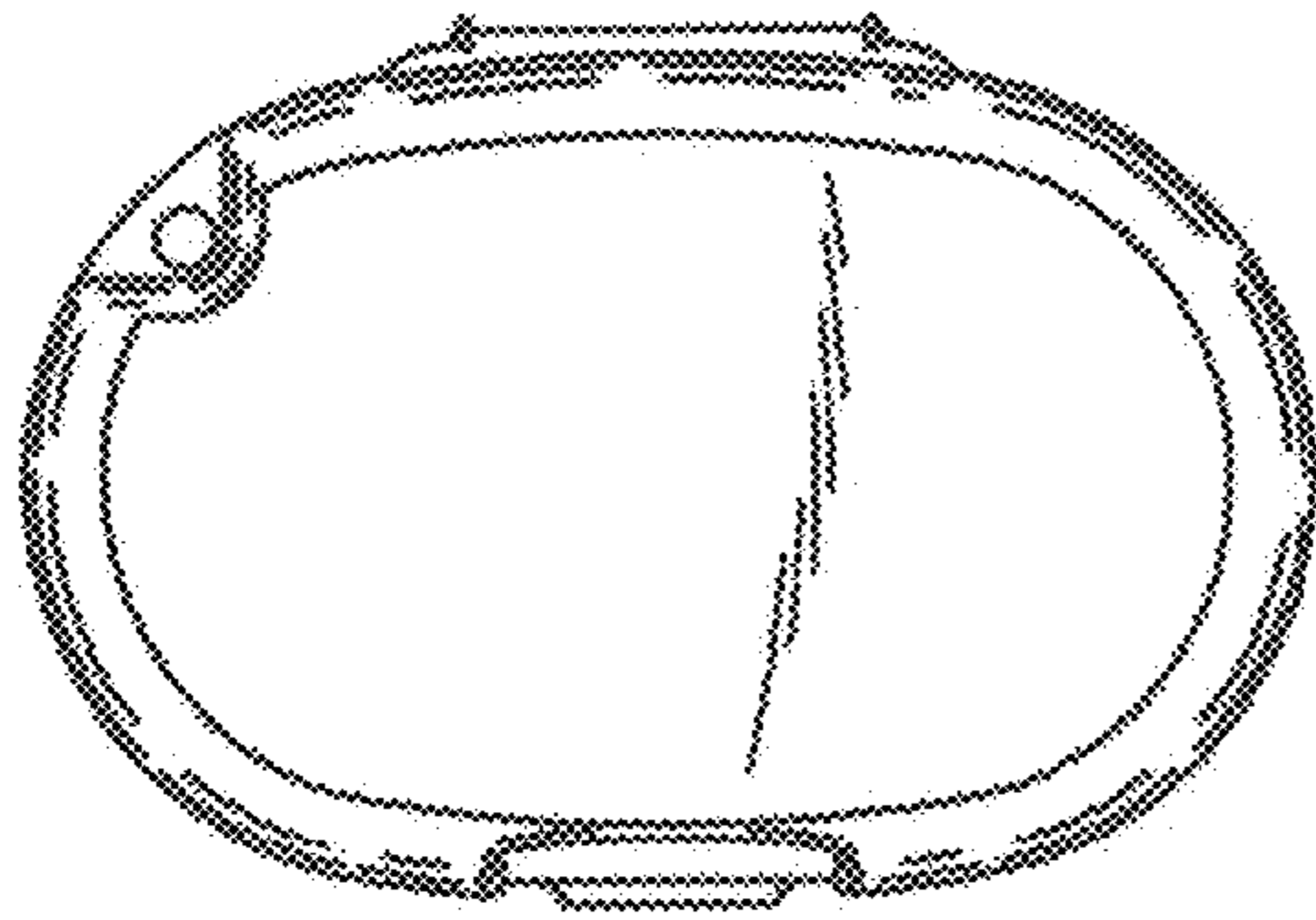


FIG. 5

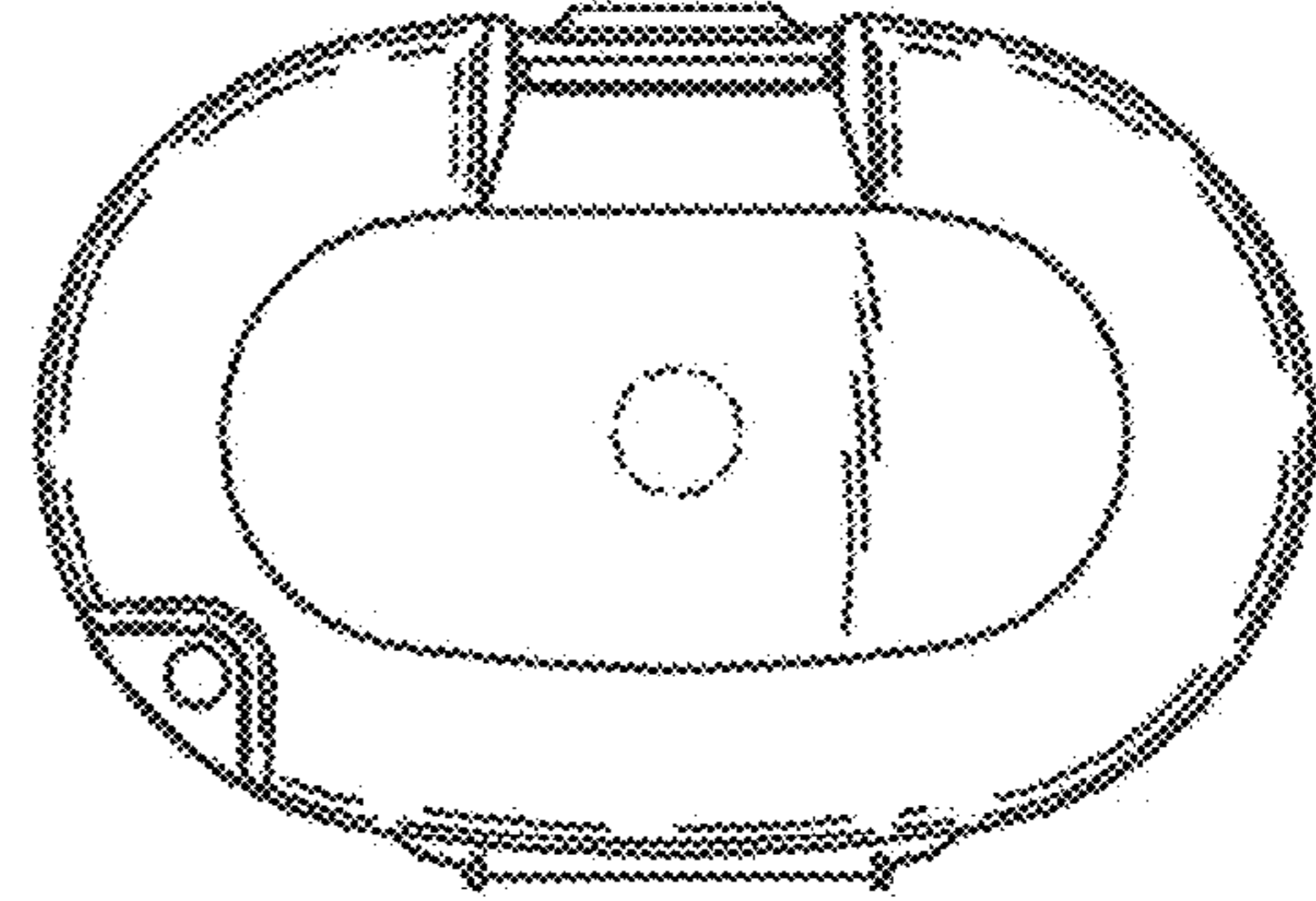


FIG. 6

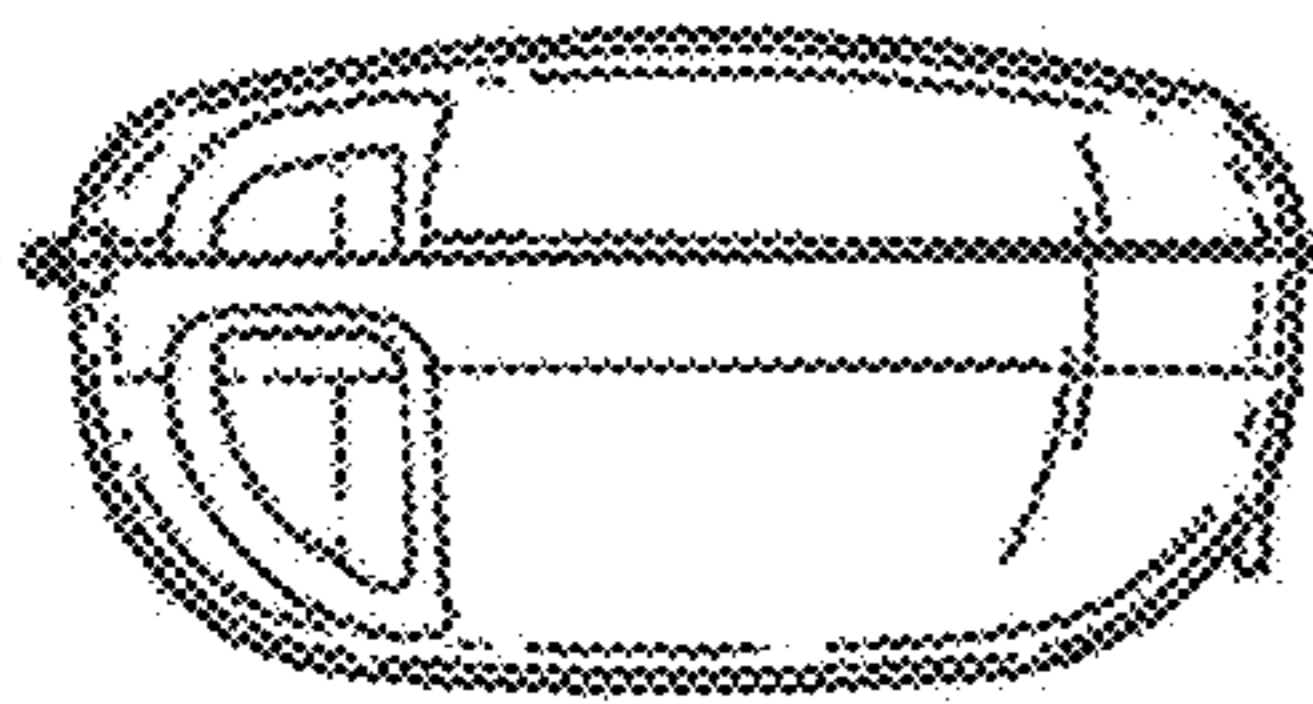


FIG. 7

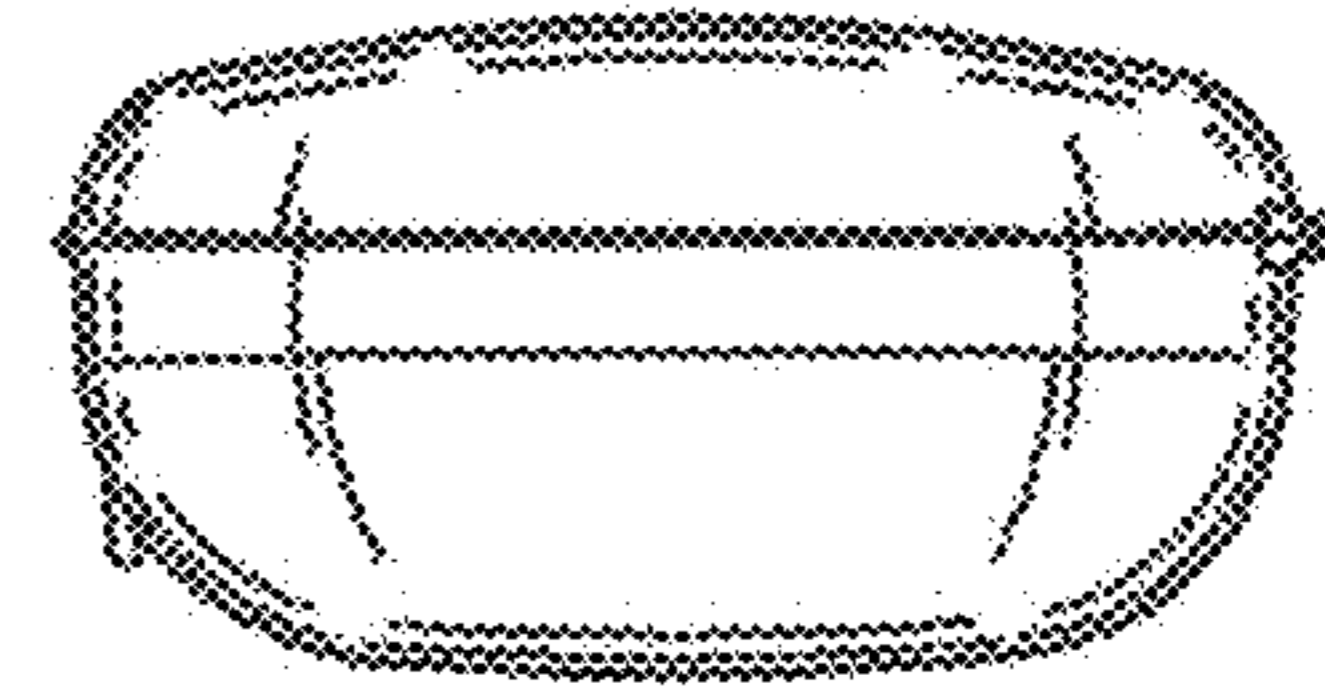


FIG. 8