



US00D901291S

(12) **United States Design Patent** (10) **Patent No.:** **US D901,291 S**  
**Grimsley et al.** (45) **Date of Patent:** **\*\* Nov. 10, 2020**

(54) **CONTAINER**  
(71) Applicant: **MOLDEX-METRIC, INC.**, Culver City, CA (US)  
(72) Inventors: **Terry L Grimsley**, Torrance, CA (US); **Mark Magidson**, Los Angeles, CA (US)  
(73) Assignee: **MOLDEX-METRIC, INC.**, Culver City, CA (US)  
(\*\*) Term: **15 Years**  
(21) Appl. No.: **29/638,907**  
(22) Filed: **Mar. 1, 2018**  
(51) **LOC (12) Cl.** ..... **09-03**  
(52) **U.S. Cl.**  
USPC ..... **D9/423**  
(58) **Field of Classification Search**  
USPC ..... D9/423, 424, 449, 428, 435, 426;  
D28/82, 78; D15/5; D24/177; D27/189,  
D27/172; D3/218; D6/536; D14/189  
CPC ..... A45D 40/22; B65D 1/36; B65D 43/161  
See application file for complete search history.

D428,209 S \* 7/2000 Kudo ..... D28/78  
D519,983 S \* 5/2006 Tompkins ..... D14/189  
D529,802 S \* 10/2006 Jelich ..... D9/449  
D530,204 S \* 10/2006 Zaidman ..... D9/449  
D609,855 S \* 2/2010 Patel ..... D27/189  
D612,595 S \* 3/2010 McCurdy ..... D3/218  
D640,131 S \* 6/2011 Gibson ..... D9/426  
D654,788 S \* 2/2012 Bougoulas ..... D9/424  
D665,253 S \* 8/2012 Bellamah ..... D9/424  
D665,259 S \* 8/2012 Dunn ..... D9/435  
D672,642 S \* 12/2012 Supranowicz ..... D9/420  
D674,688 S \* 1/2013 Loftin ..... D9/428  
D694,102 S \* 11/2013 Bellamah ..... D9/424  
D708,339 S \* 7/2014 McGarry ..... D24/177  
D736,263 S \* 8/2015 Schultz ..... D15/5  
D788,371 S \* 5/2017 Lee ..... D28/82  
D863,677 S \* 10/2019 Chung ..... D27/172

\* cited by examiner

*Primary Examiner* — Rhea Shields  
(74) *Attorney, Agent, or Firm* — Charles H. Schwartz

(57) **CLAIM**

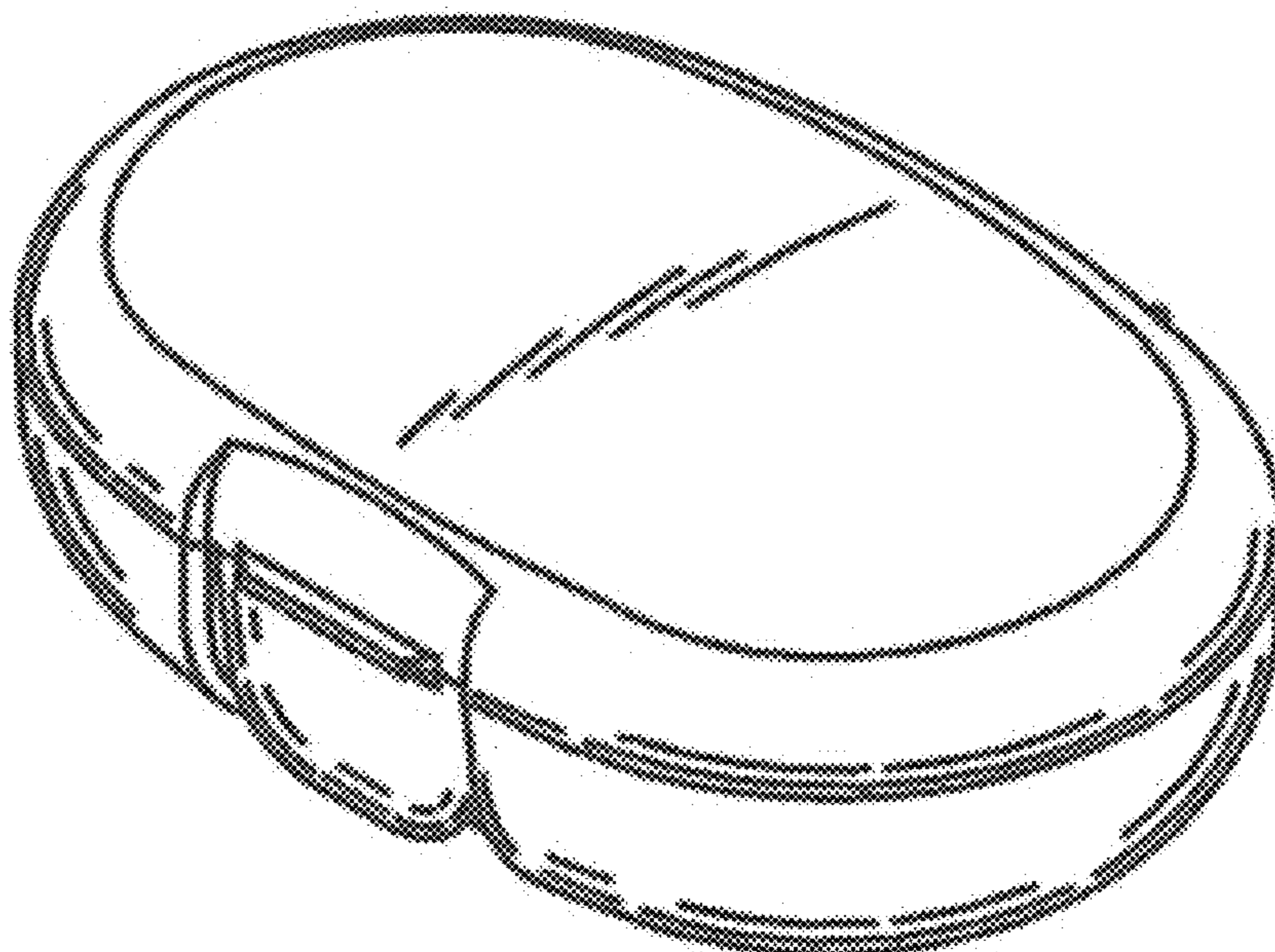
The ornamental design for a container, as shown and described.

**DESCRIPTION**

FIG. 1 is a front perspective view of a container, according to our design;  
FIG. 2 is a rear perspective view thereof;  
FIG. 3 is a front view thereof;  
FIG. 4 is a back view thereof;  
FIG. 5 is a top plan view thereof;  
FIG. 6 is a bottom plan view thereof;  
FIG. 7 is a left side elevational view thereof; and,  
FIG. 8 is a right side elevation view thereof.  
In FIG. 6, the broken lines are for the purpose of illustrating portions of the container with eyelet that form no part of the claimed design.

**1 Claim, 2 Drawing Sheets**

(56) **References Cited**  
U.S. PATENT DOCUMENTS  
3,421,654 A \* 1/1969 Hexel ..... B65D 43/161  
220/254.3  
3,487,972 A \* 1/1970 Swett ..... B65D 1/36  
220/526  
4,132,306 A \* 1/1979 Margolin ..... A45D 40/22  
206/37  
D339,882 S \* 9/1993 Chevassus ..... D28/82  
D345,305 S \* 3/1994 Host ..... D9/423  
D349,207 S \* 8/1994 Wolff ..... D6/536  
D361,406 S \* 8/1995 Desgrippes ..... D28/78



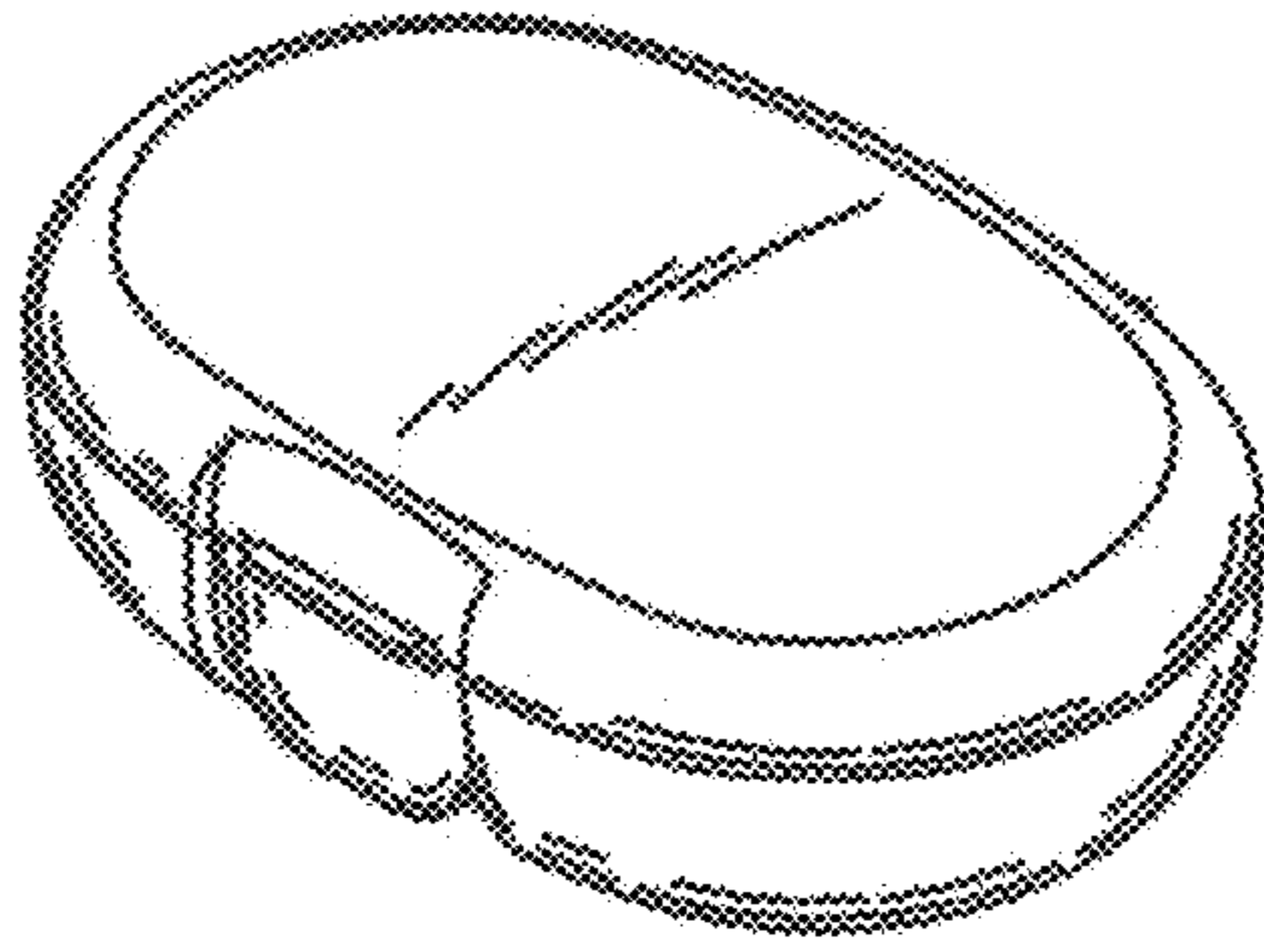


FIG. 1

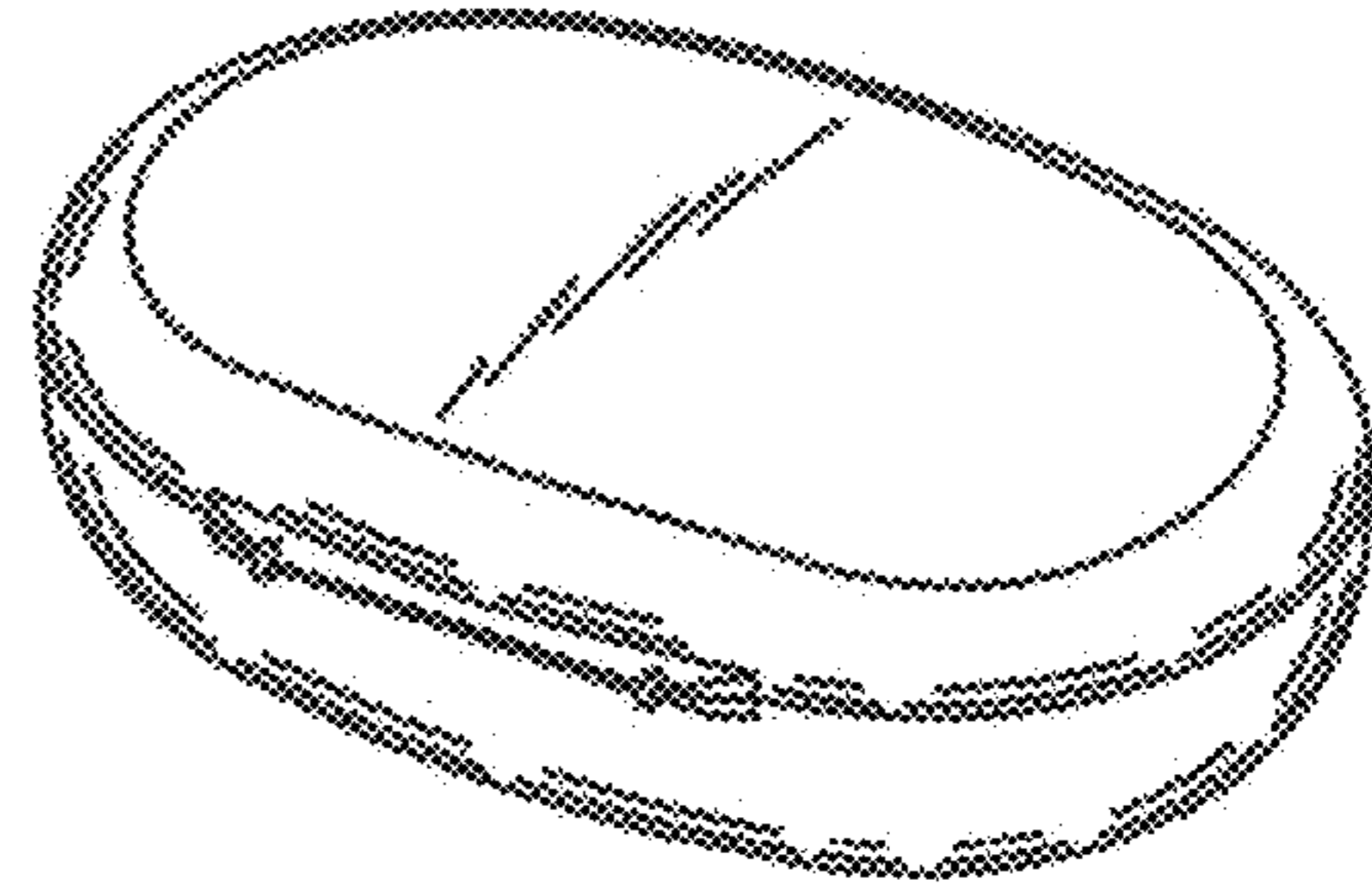


FIG. 2

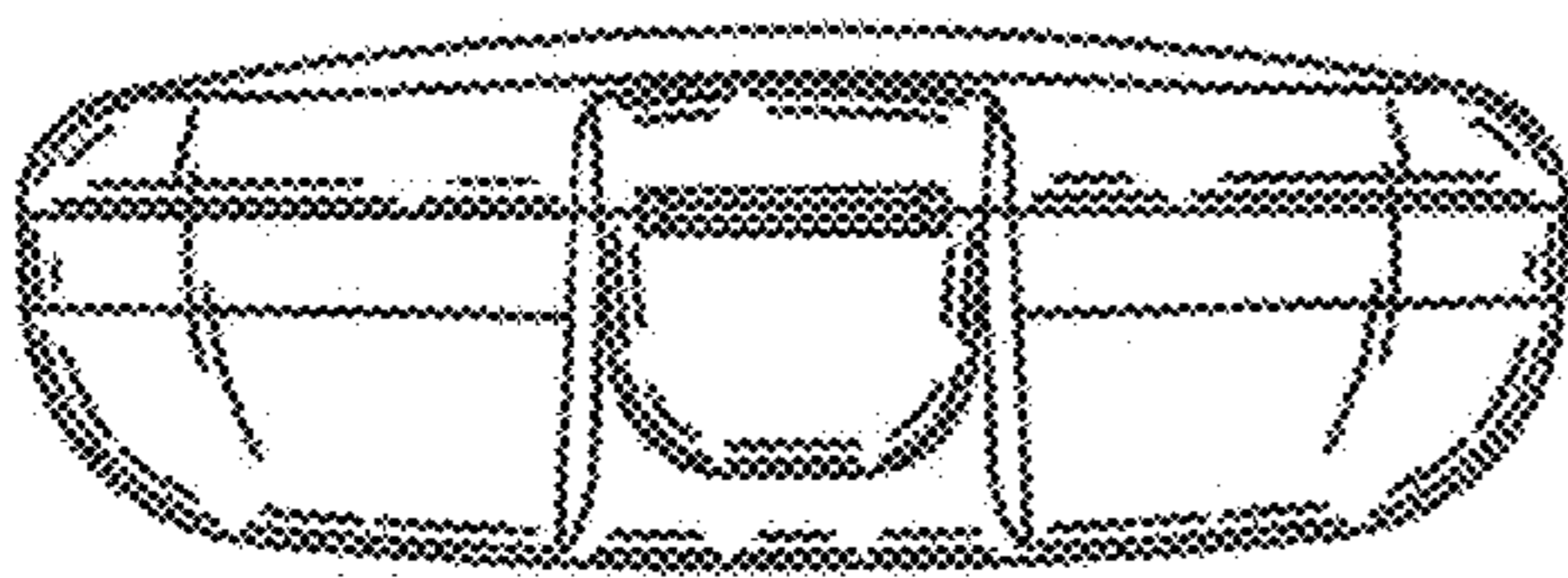


FIG. 3

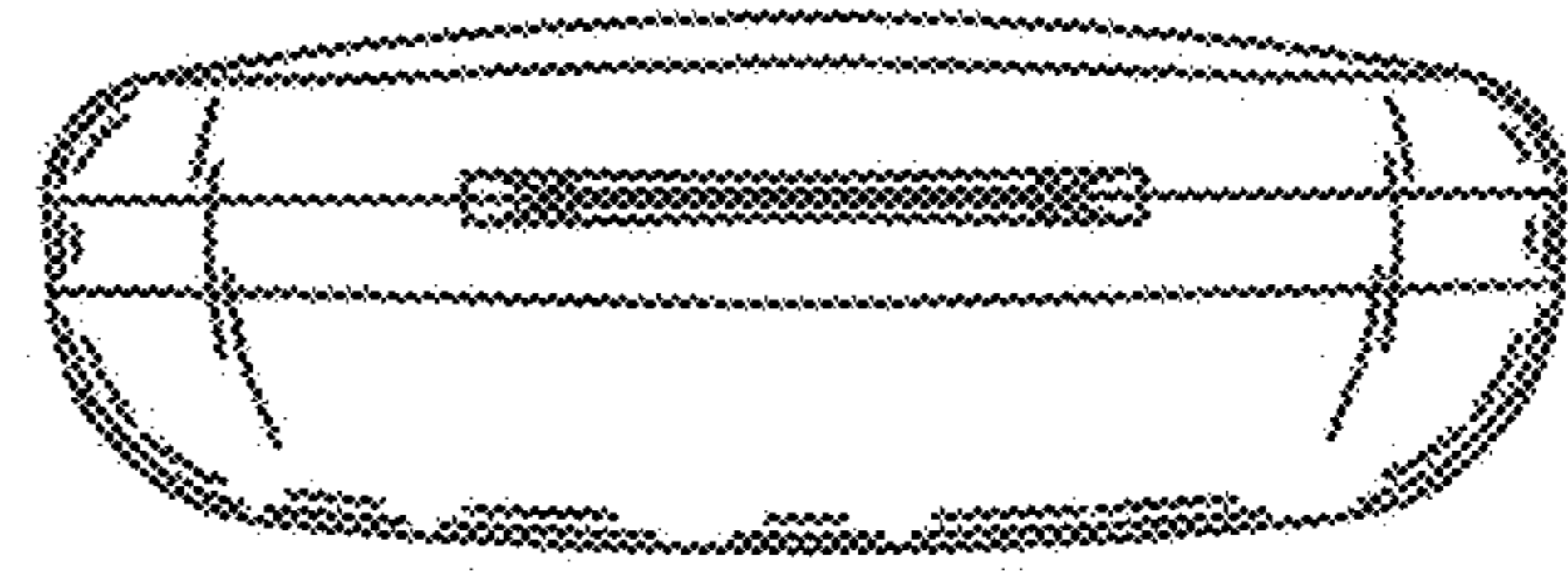


FIG. 4

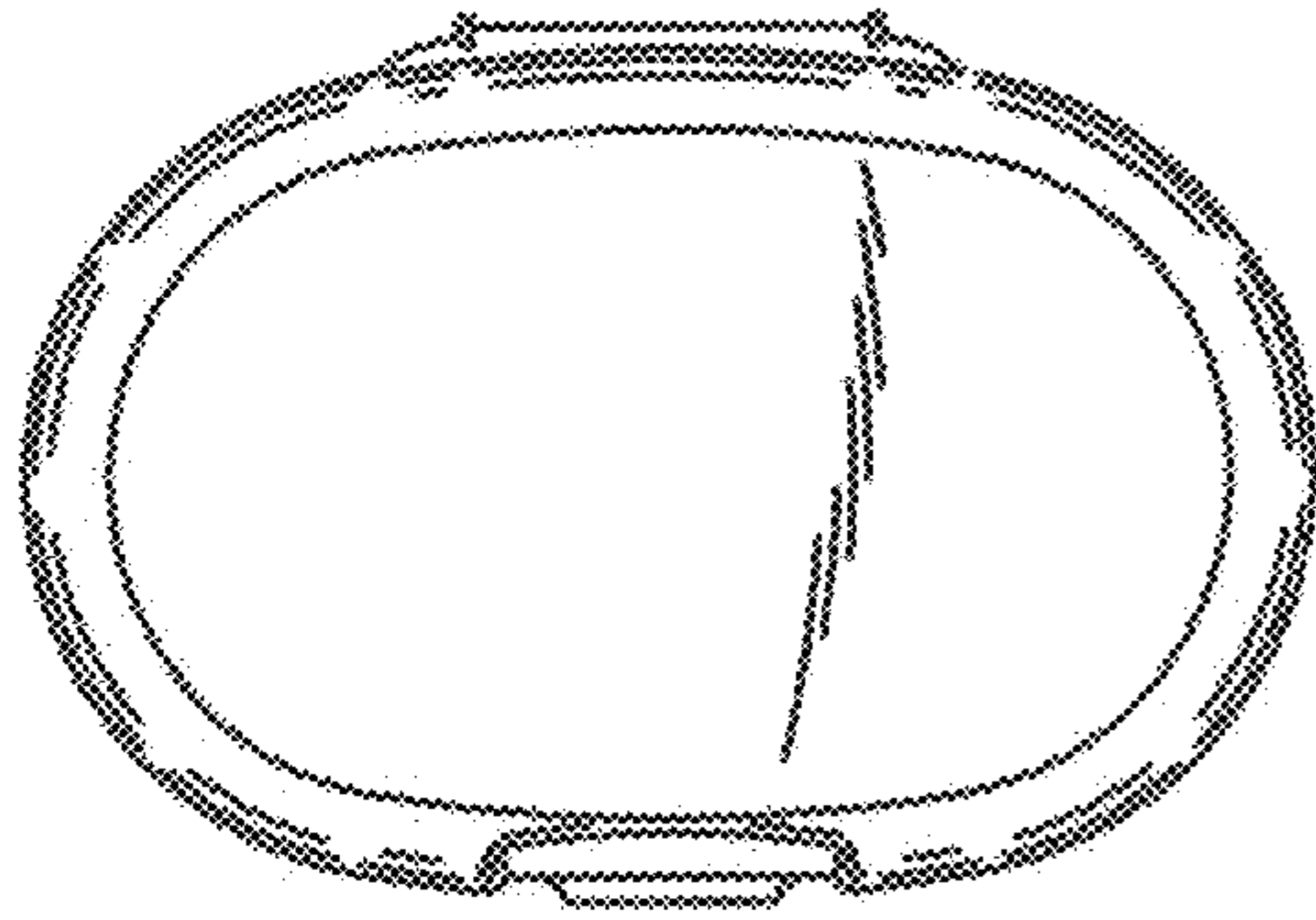


FIG. 5

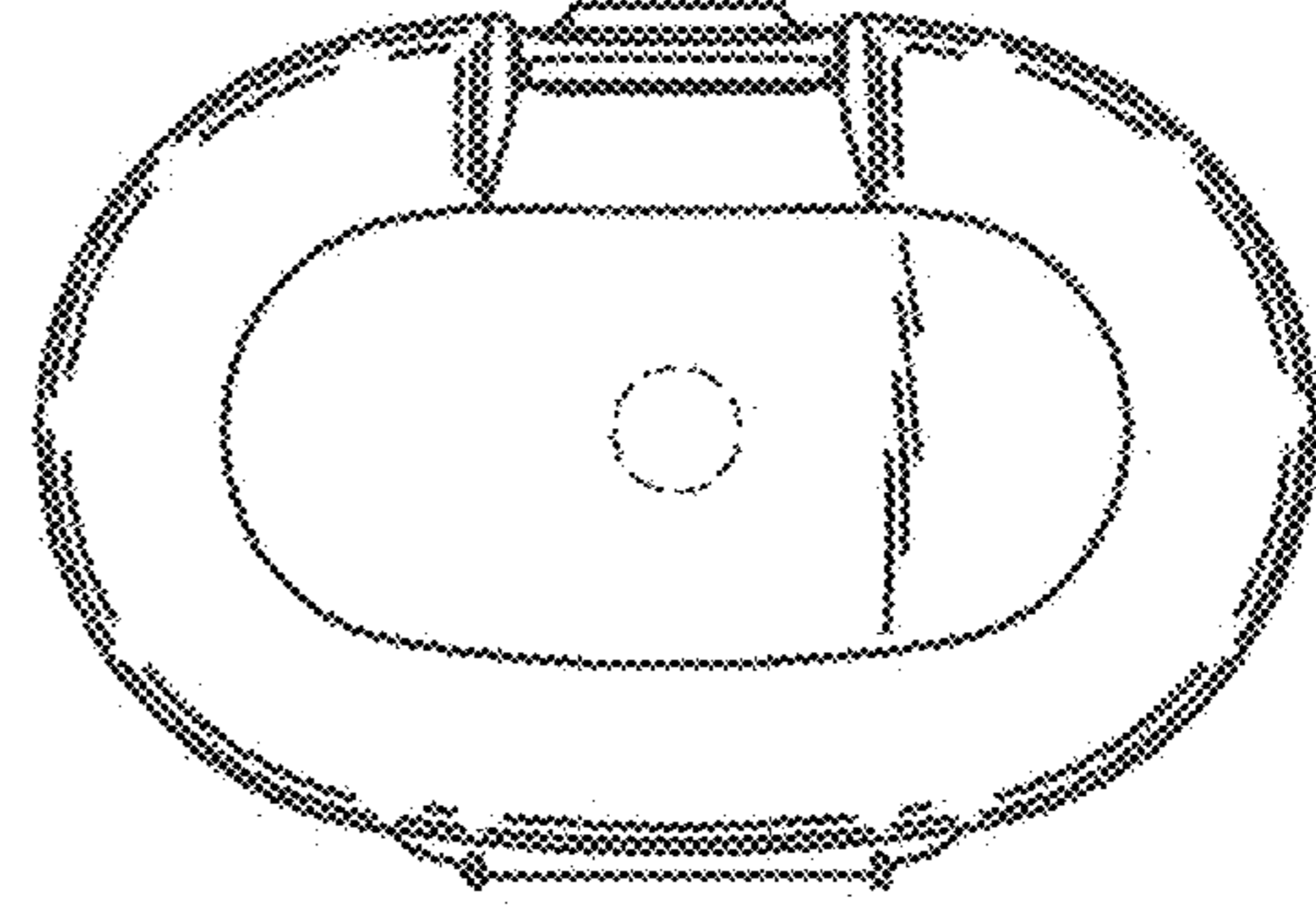


FIG. 6

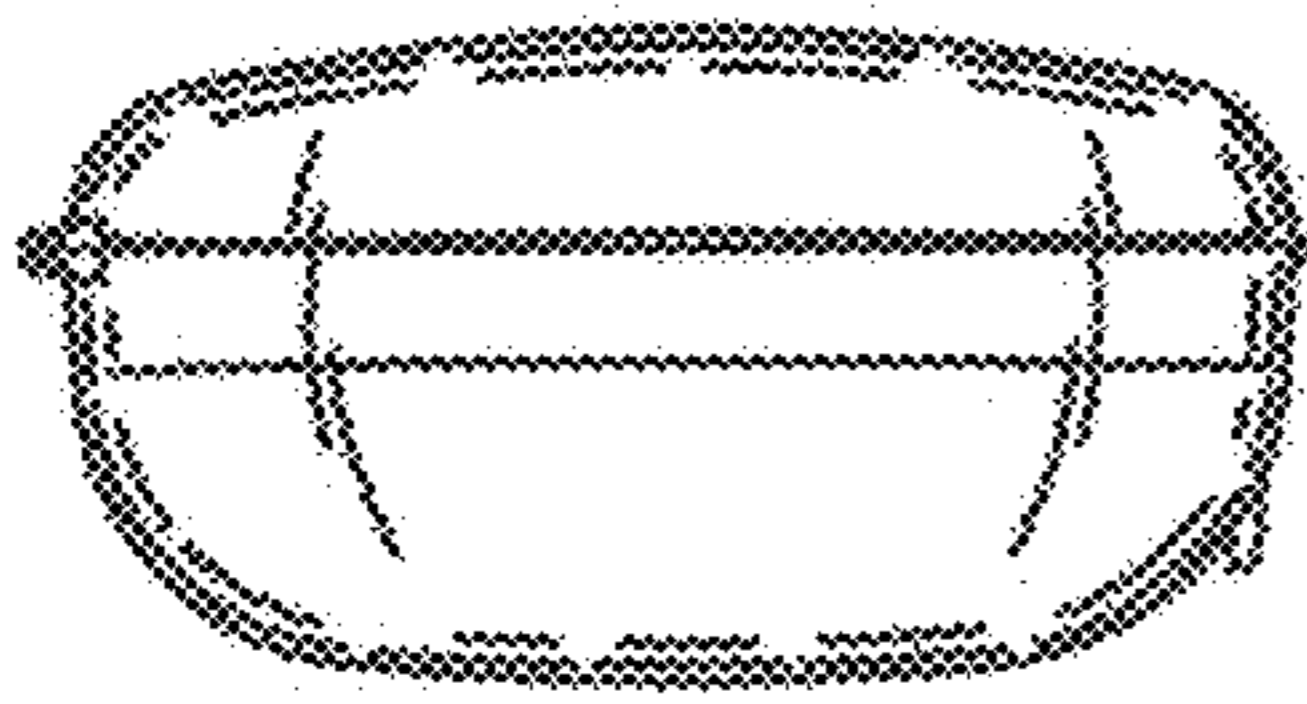


FIG. 7

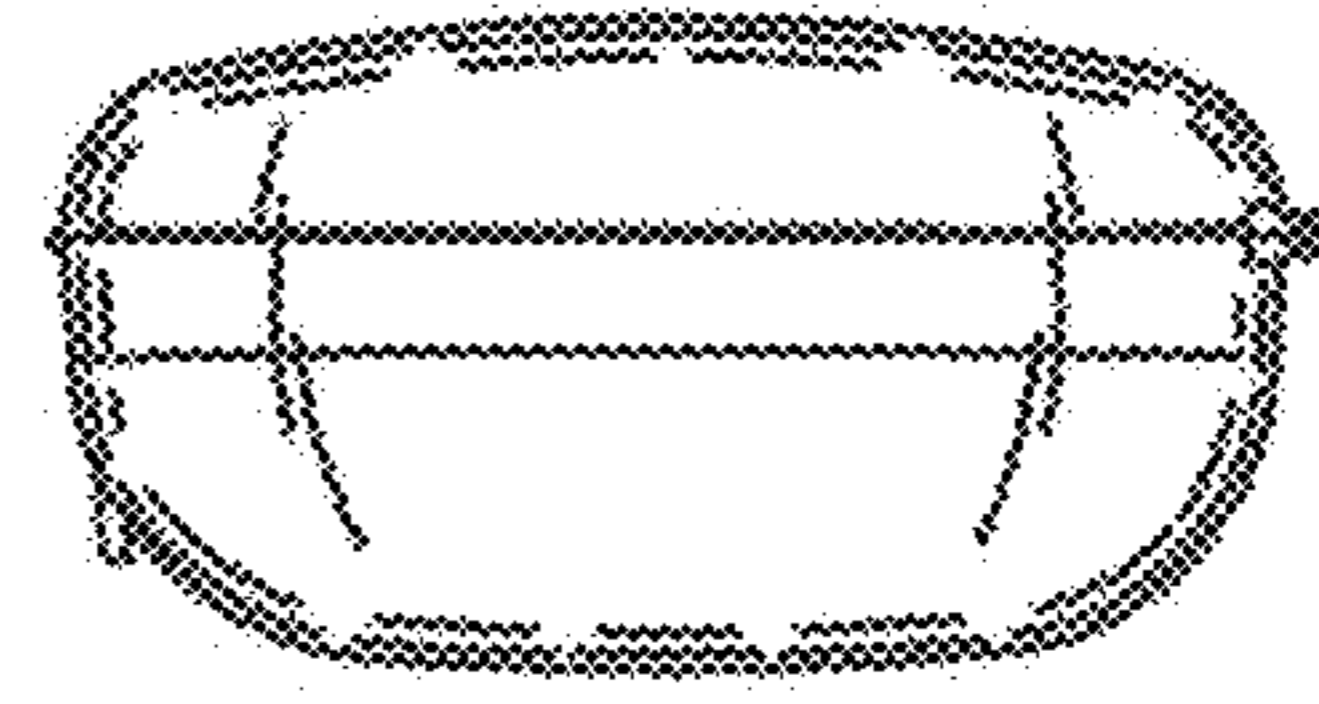


FIG. 8