



US00D901290S

(12) **United States Design Patent**
Cermak

(10) **Patent No.:** **US D901,290 S**

(45) **Date of Patent:** **** Nov. 10, 2020**

(54) **LINK CHAIN**

(71) Applicant: **Roman Cermak, Roztoky (CZ)**

(72) Inventor: **Roman Cermak, Roztoky (CZ)**

(**) Term: **15 Years**

(21) Appl. No.: **29/586,987**

(22) Filed: **Dec. 8, 2016**

(51) **LOC (12) Cl.** **08-99**

(52) **U.S. Cl.**
USPC **D8/499**

(58) **Field of Classification Search**

USPC D11/1-26, 79, 93; D12/114, 122-124,
D12/400; D10/32; D8/499

CPC A44C 5/02; A44C 5/022; A44C 5/025;
A44C 5/027; A44C 5/04; A44C 5/06;
A44C 5/08; A44C 5/10; A44C 5/102;
A44C 5/105; A44C 5/107; A44C 11/00;
A44C 11/002; A44C 11/005; A44C
11/007; A44C 13/00; F16G 13/00; F16G
13/06; F16G 13/07; F16G 13/08; F16G
13/10; F16G 13/18; F16G 13/20; F16G
13/22; F16G 15/00; F16G 15/04; F16G
15/06; F16G 15/10; F16G 15/12; F16G
15/14

See application file for complete search history.

(56) **References Cited**

U.S. PATENT DOCUMENTS

- 576,799 A * 2/1897 Ballou F16G 13/06
474/228
- D149,927 S * 6/1948 Augenstein D11/21
- 2,564,652 A * 8/1951 Templeman A44C 5/06
D11/19
- 3,439,494 A * 4/1969 Gettmann F16G 13/06
474/226

3,792,623 A * 2/1974 Kuratomi F16G 13/06
474/231

D246,830 S * 1/1978 Lossini D11/12

D246,960 S * 1/1978 Lossini D11/12

D247,103 S * 1/1978 Lossini D11/12

(Continued)

Primary Examiner — Llorellys Martinez

(74) *Attorney, Agent, or Firm* — Dykema Gossett PLLC

(57) **CLAIM**

The ornamental design for a link chain, as shown and described.

DESCRIPTION

FIG. 1 is a side perspective view of a link chain showing my new design, the opposite side perspective view being a mirror image thereof;

FIG. 2 is a top view of a link chain showing my new design, the opposite side view being a mirror image thereof;

FIG. 3 is a side view of a link chain showing my new design, the opposite side view being a mirror image thereof;

FIG. 4 is a perspective view of a segment of the link chain in FIG. 1, shown separately for clarity of illustration;

FIG. 5 is a side elevational view of a first type of link of the link chain in FIG. 1, shown separately for clarity of illustration, the opposite side view being a mirror image thereof;

FIG. 6 is a top plan view of the first type of link of FIG. 5, the bottom plan view being a mirror image thereof;

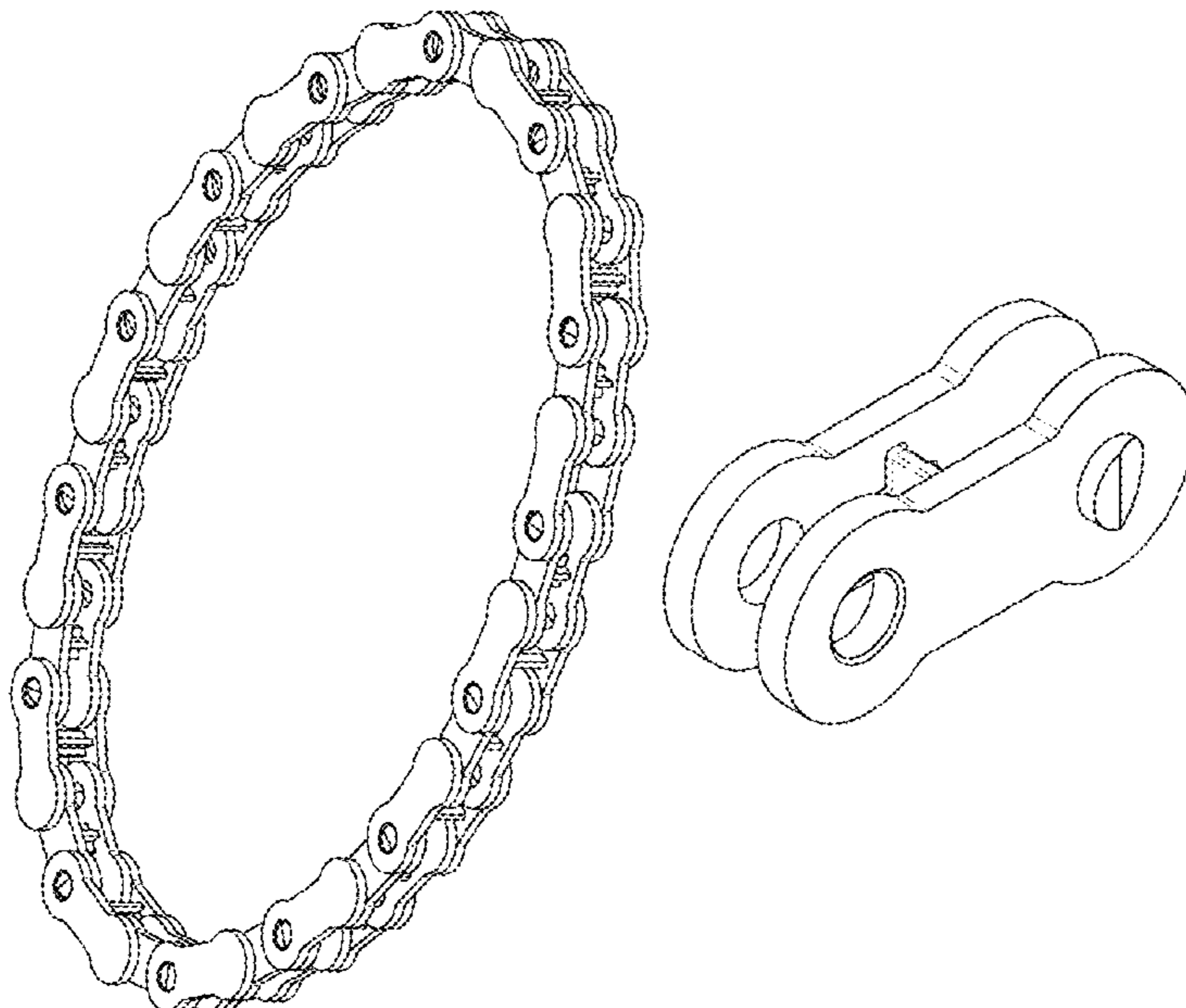
FIG. 7 is a perspective view of the first type of link of FIG. 5;

FIG. 8 is a side elevation view of a second type of link of the link chain in FIG. 1, shown separately for clarity of illustration, the opposite side view being a mirror image thereof;

FIG. 9 is a top plan view of the second type of link of FIG. 8, the bottom plan view being a mirror image thereof; and,

FIG. 10 is a perspective view of the second type of link of FIG. 8.

1 Claim, 6 Drawing Sheets



(56)

References Cited

U.S. PATENT DOCUMENTS

4,367,862 A * 1/1983 McGregor B25B 27/22
D8/51
D280,288 S * 8/1985 Lickton D8/499
D292,144 S * 10/1987 McClure D11/81
5,203,745 A * 4/1993 Wang F16G 13/06
474/206
5,346,006 A * 9/1994 Wu F16G 13/06
474/206
5,362,282 A * 11/1994 Lickton F16G 13/06
474/220
D394,028 S * 5/1998 Nakamura D12/124
D396,658 S * 8/1998 Engel D11/12
D400,468 S * 11/1998 Norman D11/81
D412,058 S * 7/1999 Edworthy D3/208
D435,766 S * 1/2001 Kingsley D3/210
D460,698 S * 7/2002 Jamin D10/32
D479,768 S * 9/2003 Macevicz D3/211
D545,234 S * 6/2007 Sogoyan D11/13
7,267,220 B2 * 9/2007 Wang F16G 13/06
198/850
D577,905 S * 10/2008 Hu D3/207
7,571,595 B2 * 8/2009 Wettlaufer F16G 13/06
474/207

D613,597 S * 4/2010 Wu D8/499
8,540,597 B2 * 9/2013 Wang F16G 13/06
403/118
D707,583 S * 6/2014 Kalemoss D11/87
D719,045 S * 12/2014 Miller D11/13
D719,046 S * 12/2014 Miller D11/13
D722,904 S * 2/2015 Barbazza D11/3
D723,411 S * 3/2015 Barbazza D11/3
9,151,359 B1 * 10/2015 Hogan F16G 13/06
D752,470 S * 3/2016 Miller D11/13
D758,235 S * 6/2016 Miller D11/13
9,463,958 B2 * 10/2016 Christmas F16G 13/06
D784,178 S * 4/2017 Miller D11/13
9,879,756 B2 * 1/2018 Wu F16G 13/07
9,890,830 B2 * 2/2018 Wu F16G 13/06
9,903,441 B2 * 2/2018 Asada F16G 13/04
9,939,045 B2 * 4/2018 Fukumori F16G 13/06
2005/0202914 A1 * 9/2005 Reiter F16G 13/06
474/206
2008/0010964 A1 * 1/2008 Wettlaufer F16G 13/06
59/1
2008/0132368 A1 * 6/2008 Wu F16G 13/04
474/213
2012/0279256 A1 * 11/2012 Koc A44C 5/06
63/40

* cited by examiner

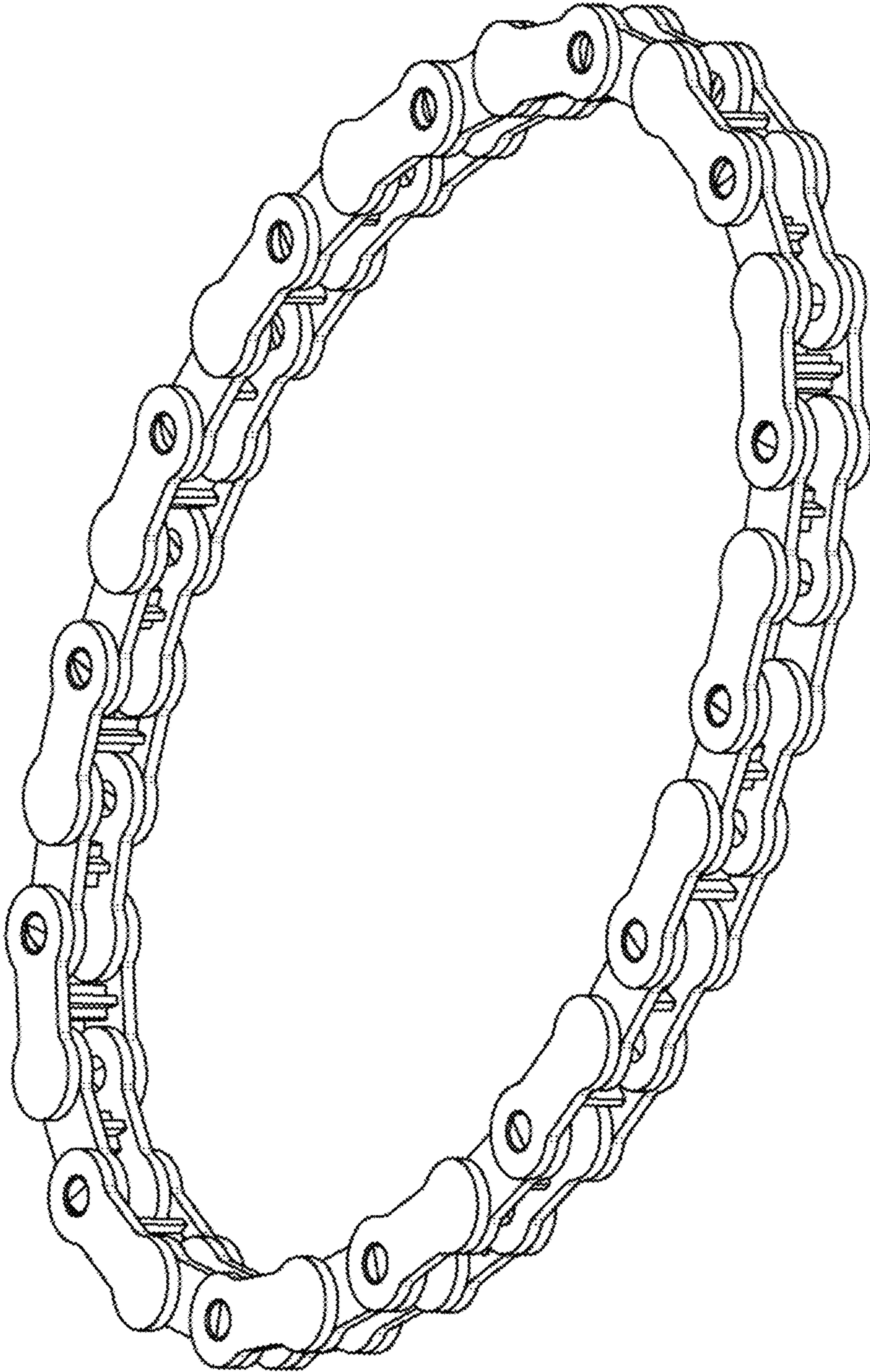


FIG. 1

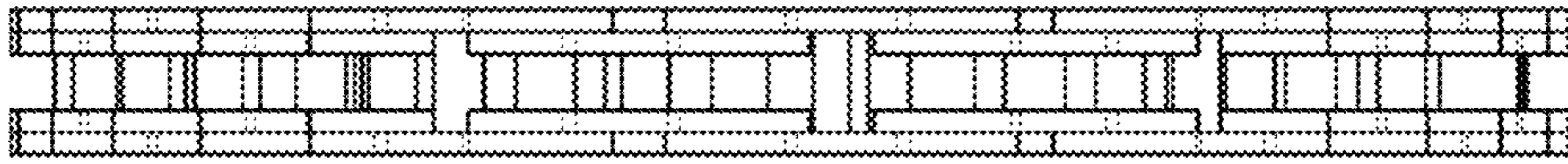


FIG. 2

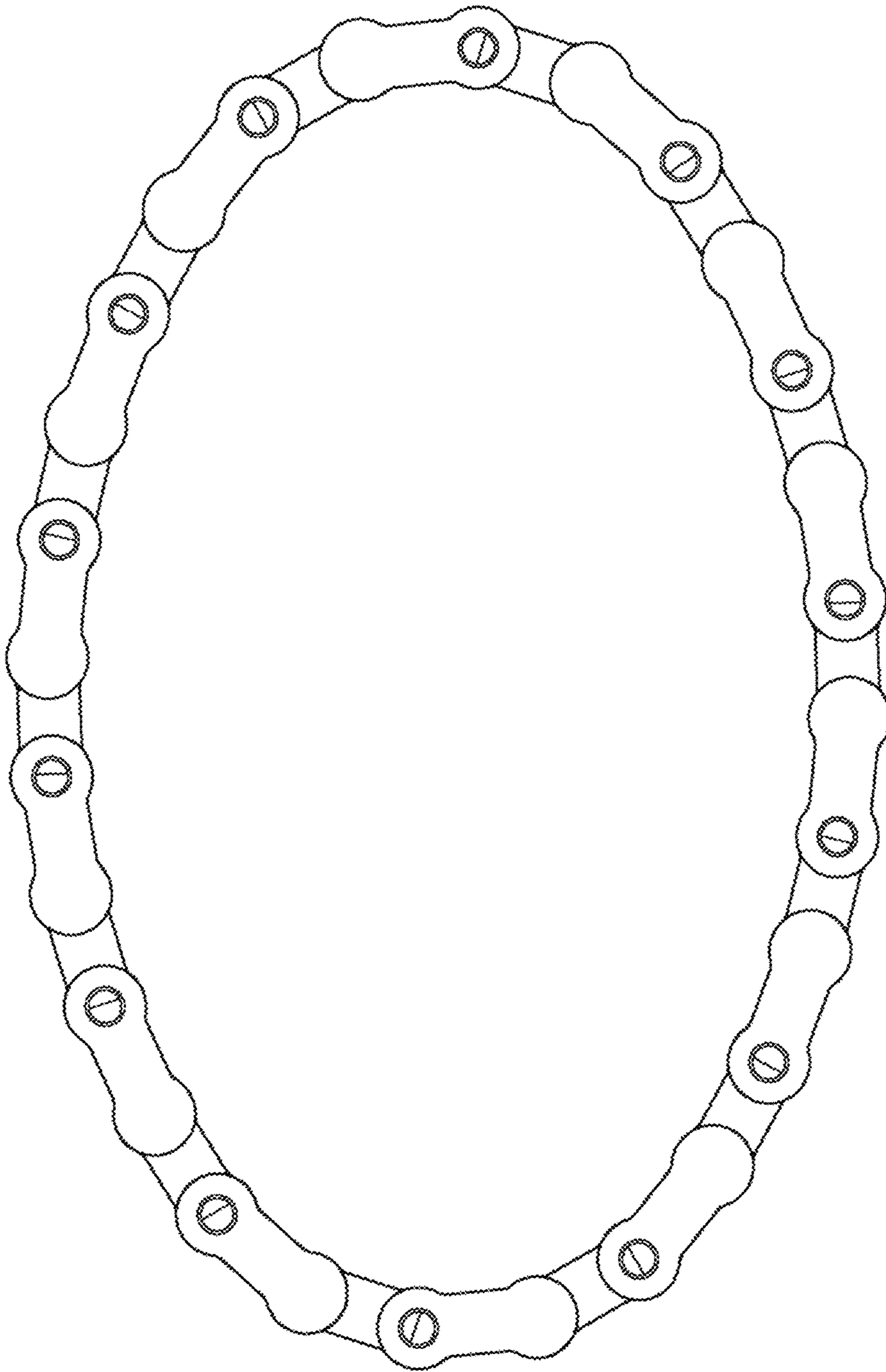


FIG. 3

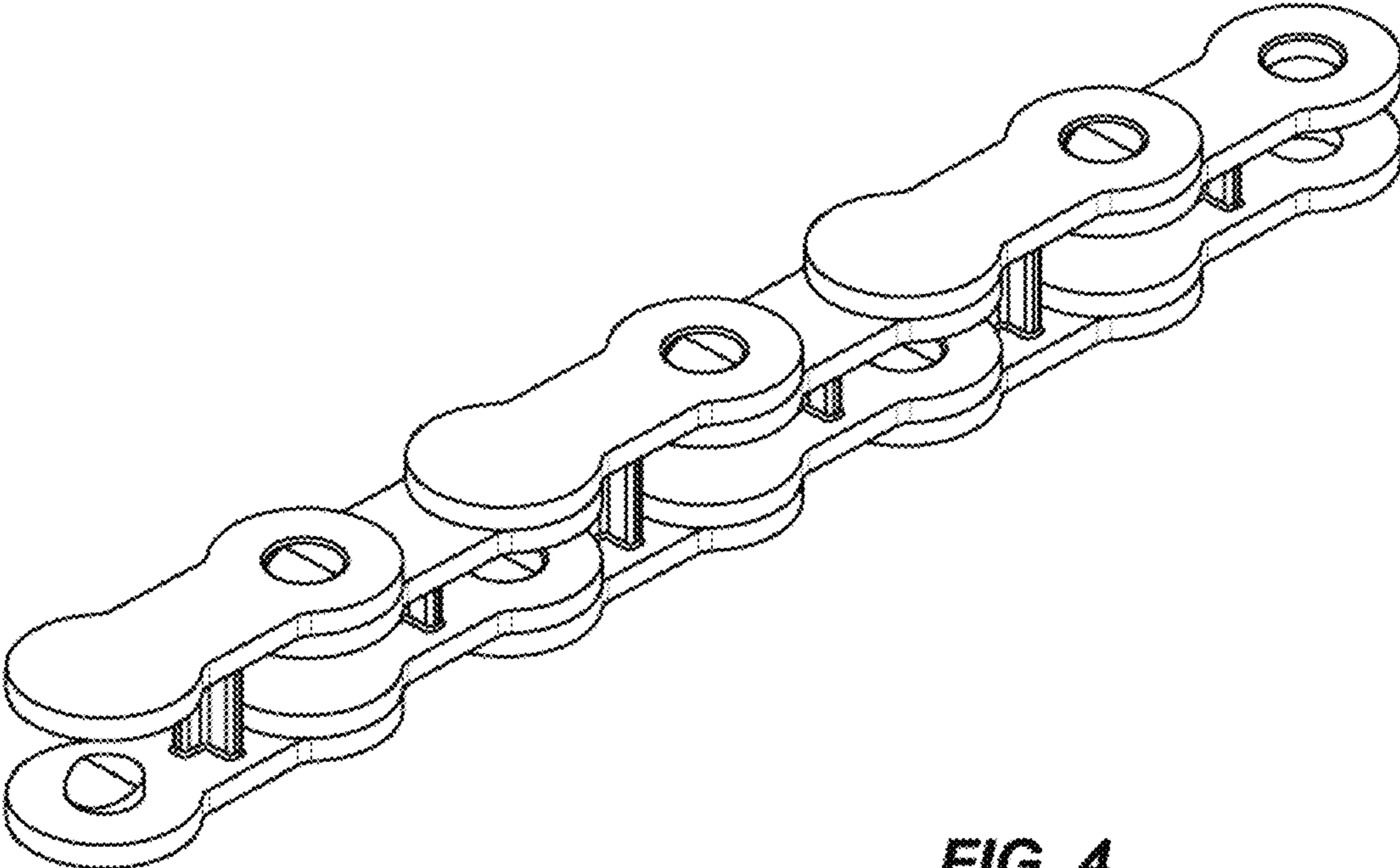


FIG. 4

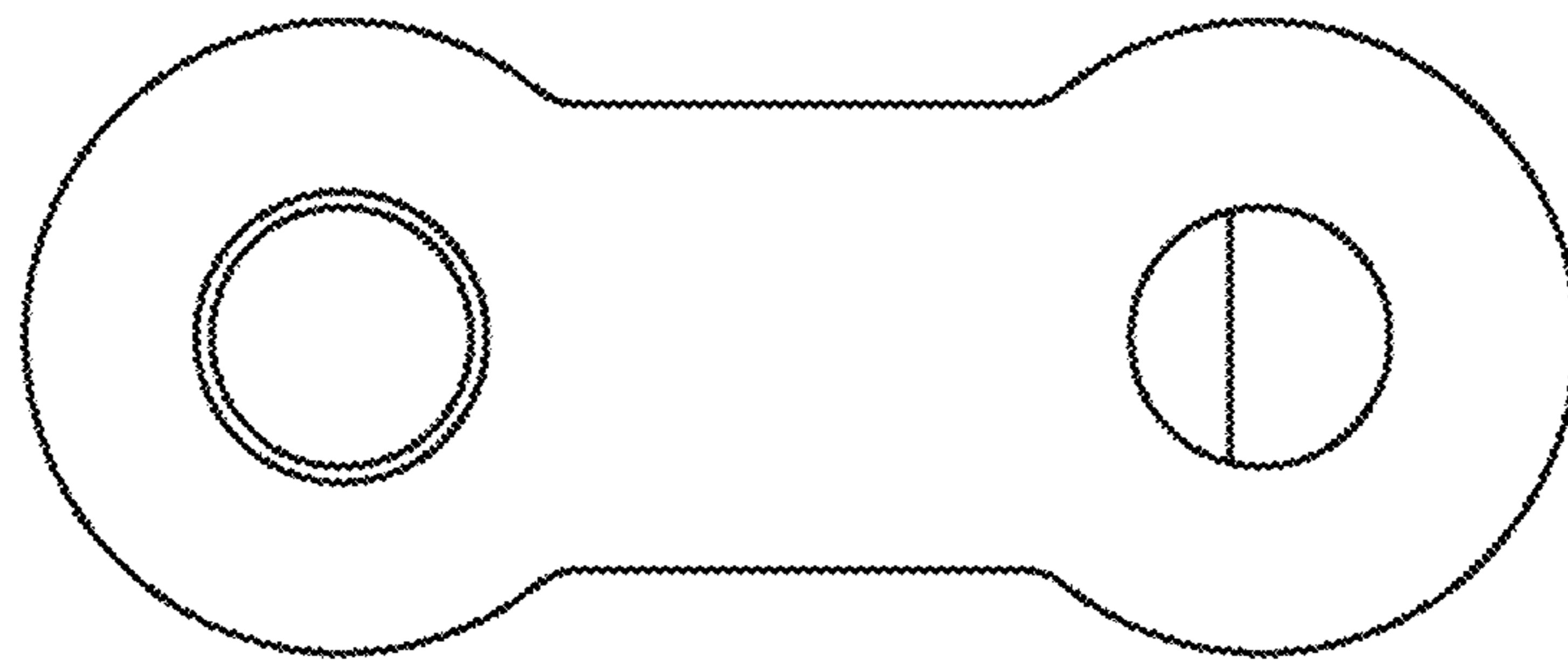


FIG. 5

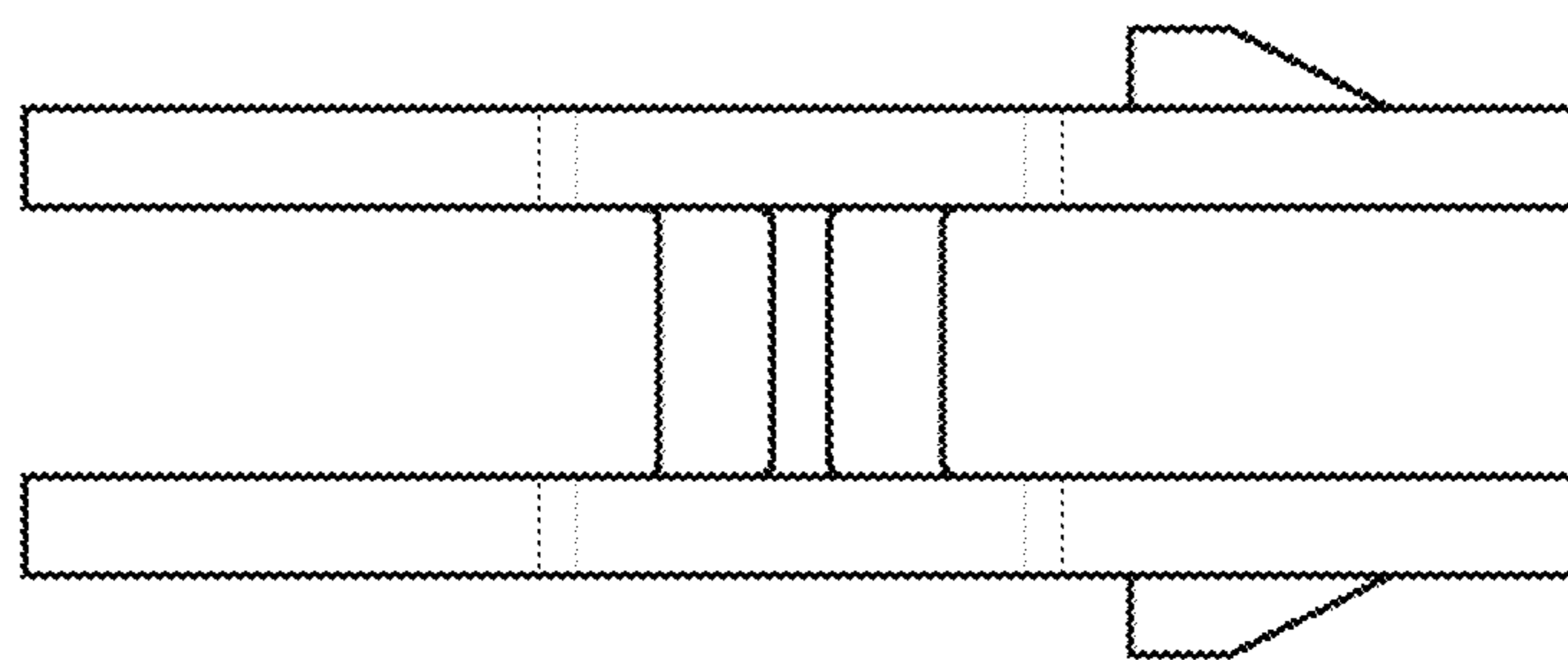


FIG. 6

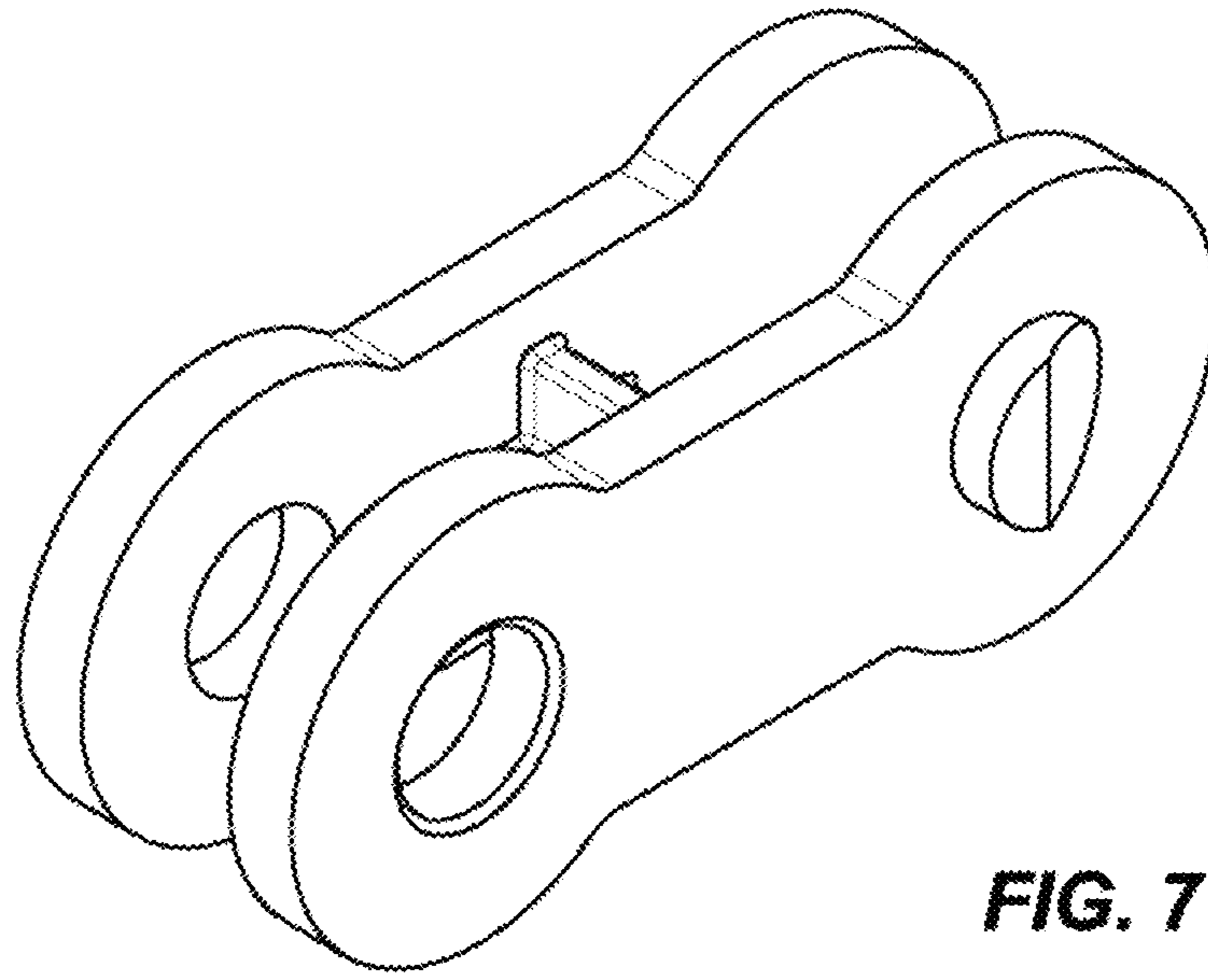


FIG. 7

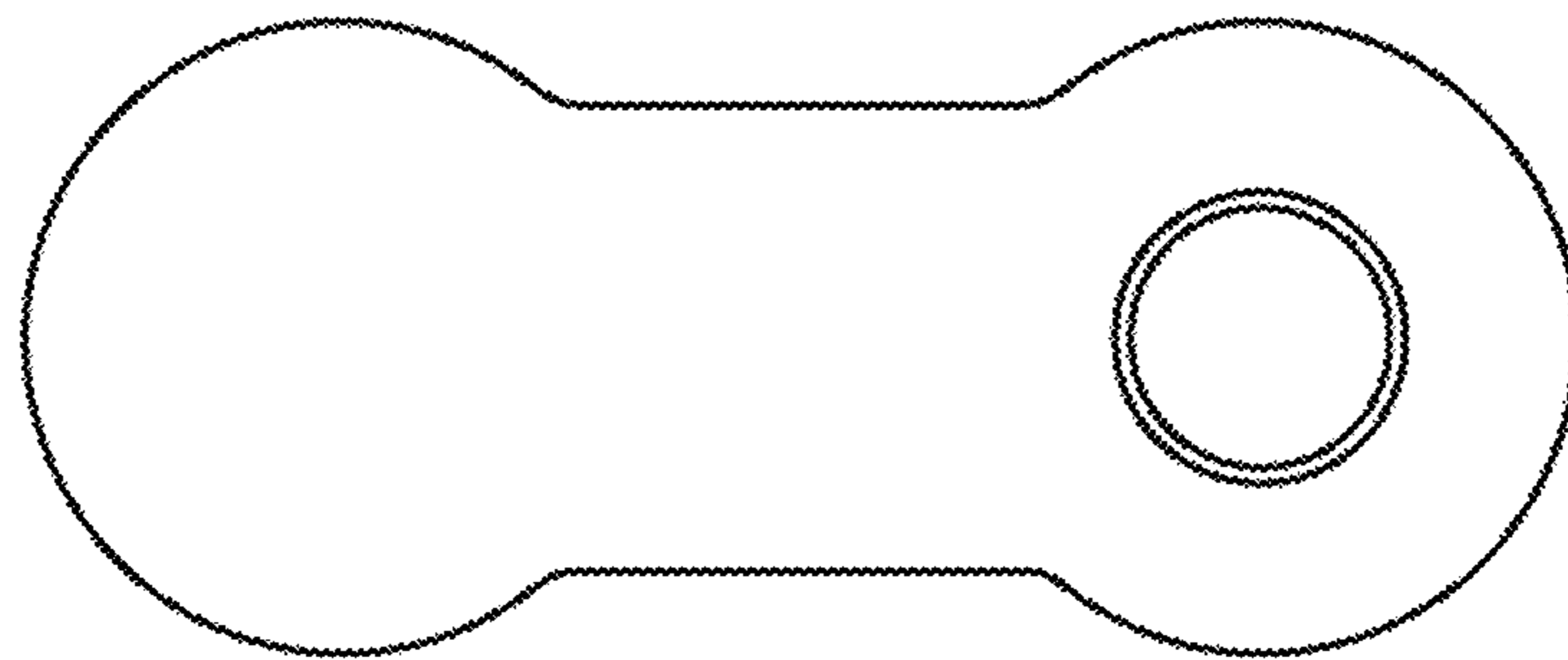


FIG. 8

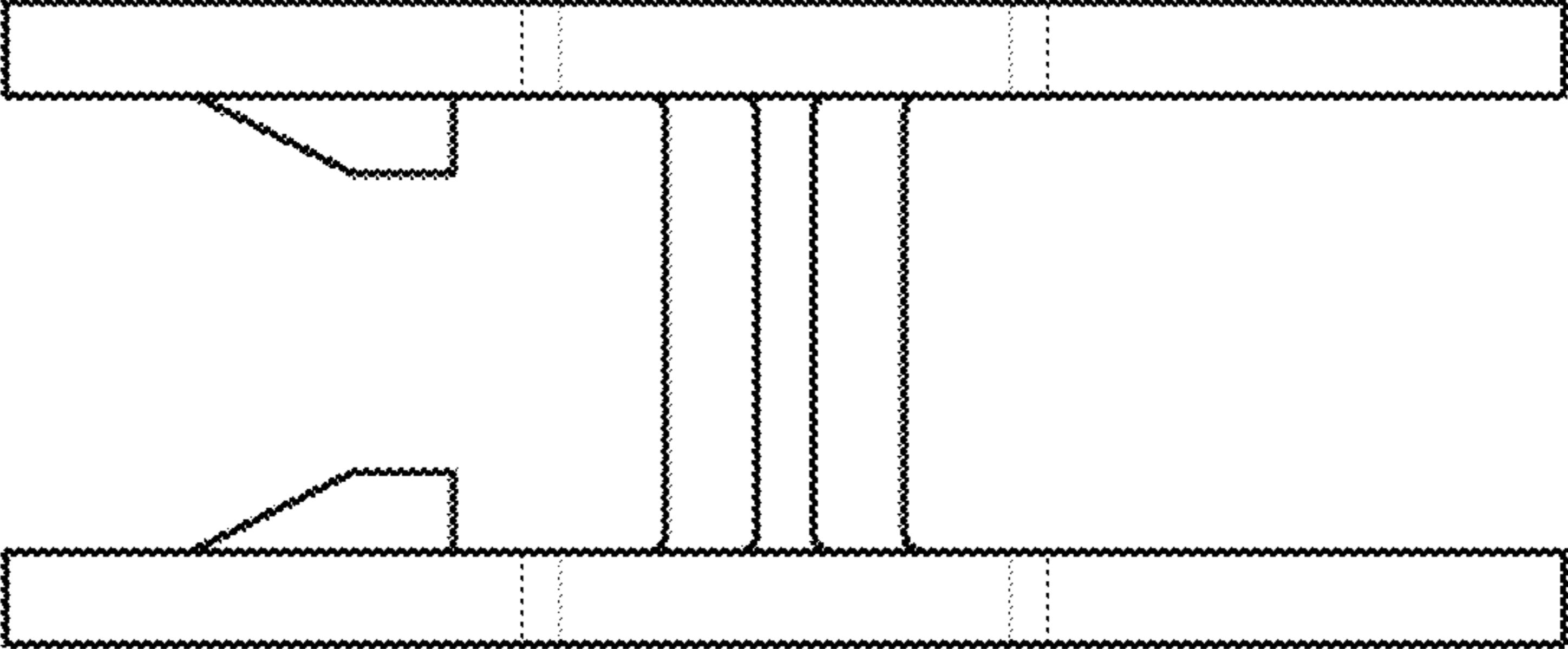


FIG. 9

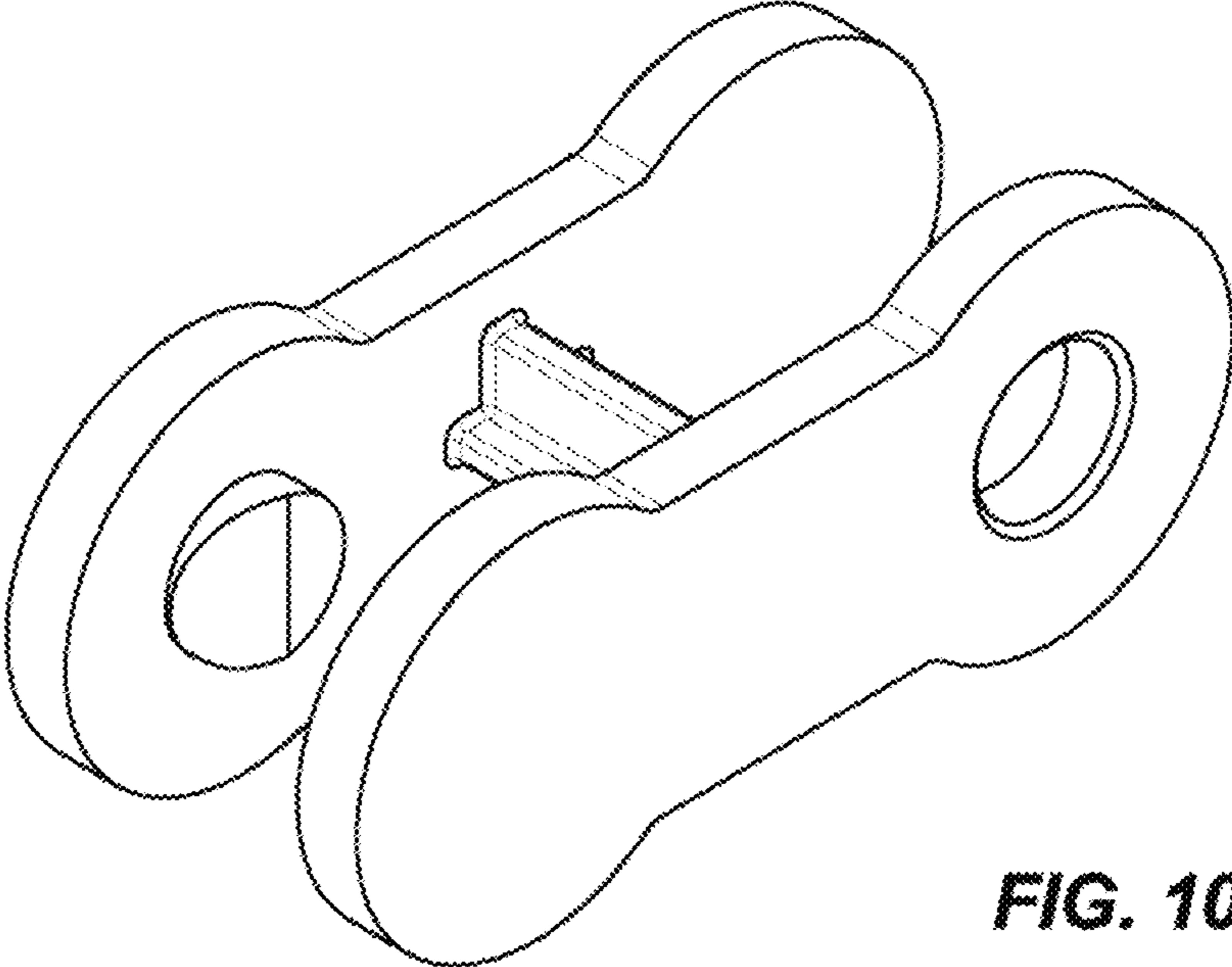


FIG. 10