



US00D901289S

(12) **United States Design Patent** (10) **Patent No.:** **US D901,289 S**
Sprowl et al. (45) **Date of Patent:** **** Nov. 10, 2020**

(54) **WASHER FOR USE ON A VEHICLE**

(71) Applicant: **TRAXXAS LP**, McKinney, TX (US)

(72) Inventors: **Jory Sprowl**, Honey Grove, TX (US);
Skylar Hagler, Anna, TX (US); **Otto Karl Allmendinger**, Rowlett, TX (US)

(73) Assignee: **TRAXXAS LP**, McKinney, TX (US)

(**) Term: **15 Years**

(21) Appl. No.: **29/688,176**

(22) Filed: **Apr. 18, 2019**

(51) **LOC (12) Cl.** **08-08**

(52) **U.S. Cl.**
USPC **D8/399**; D12/190

(58) **Field of Classification Search**
USPC D21/404, 478, 479, 484, 485-505;
D8/349, 354, 16, 382, 388, 389, 390,
D8/71-74, 394-399, 59, 356, 323, 347,
D8/348, 346, 343; D10/64, 65, 70, 71,
D10/72, 73, 74; D15/10-33, 138, 131,
D15/139, 140; D25/199; D23/259, 260;
D14/483, 299, 496, 474, 475, 477, 480.5,
D14/480.6; D13/155, 133, 147, 153, 154,
D13/156, 184, 199; D12/7, 10, 154, 204;
D24/145, 146, 147, 155
CPC E04F 15/02044; E04F 15/02183; F16B
39/10; A63H 33/00; A63H 33/04; A63H
33/046; A63H 33/06; A63H 33/08; A63H
33/10; A63H 33/12; A63H 33/14; A63H
33/26; E21D 21/00

See application file for complete search history.

(56) **References Cited**

U.S. PATENT DOCUMENTS

4,371,293 A * 2/1983 Wilcox E21D 21/0086
405/302.1
D284,165 S * 6/1986 Brilando D8/350

D364,084 S * 11/1995 Yaich D8/356
D399,730 S * 10/1998 Pitre D8/399
D404,128 S 1/1999 Huebner
D445,805 S 7/2001 Bruns
D479,793 S * 9/2003 Jones D8/349
D484,037 S * 12/2003 Fleetwood F16B 39/10
D8/399
D515,910 S * 2/2006 Gates B60R 9/06
D8/354
D532,291 S 11/2006 Geers
D562,187 S 2/2008 Tiede
D571,640 S 6/2008 Misch
D628,047 S * 11/2010 Craig D8/354

(Continued)

Primary Examiner — Susan E Krakower

Assistant Examiner — Jerry Shiuan-Hua Hsu

(74) *Attorney, Agent, or Firm* — Daryl R. Wright; Greg Carr

(57) **CLAIM**

We claim the ornamental design for a washer for use on a vehicle, as shown and described.

DESCRIPTION

FIG. 1 is a top, left, front perspective view, to include the mirror image, of a washer for use on a vehicle, showing our new design;

FIG. 2 is front elevation view thereof;

FIG. 3 is a rear elevation view thereof;

FIG. 4 is a left side elevation view thereof;

FIG. 5 is a right side elevation view thereof;

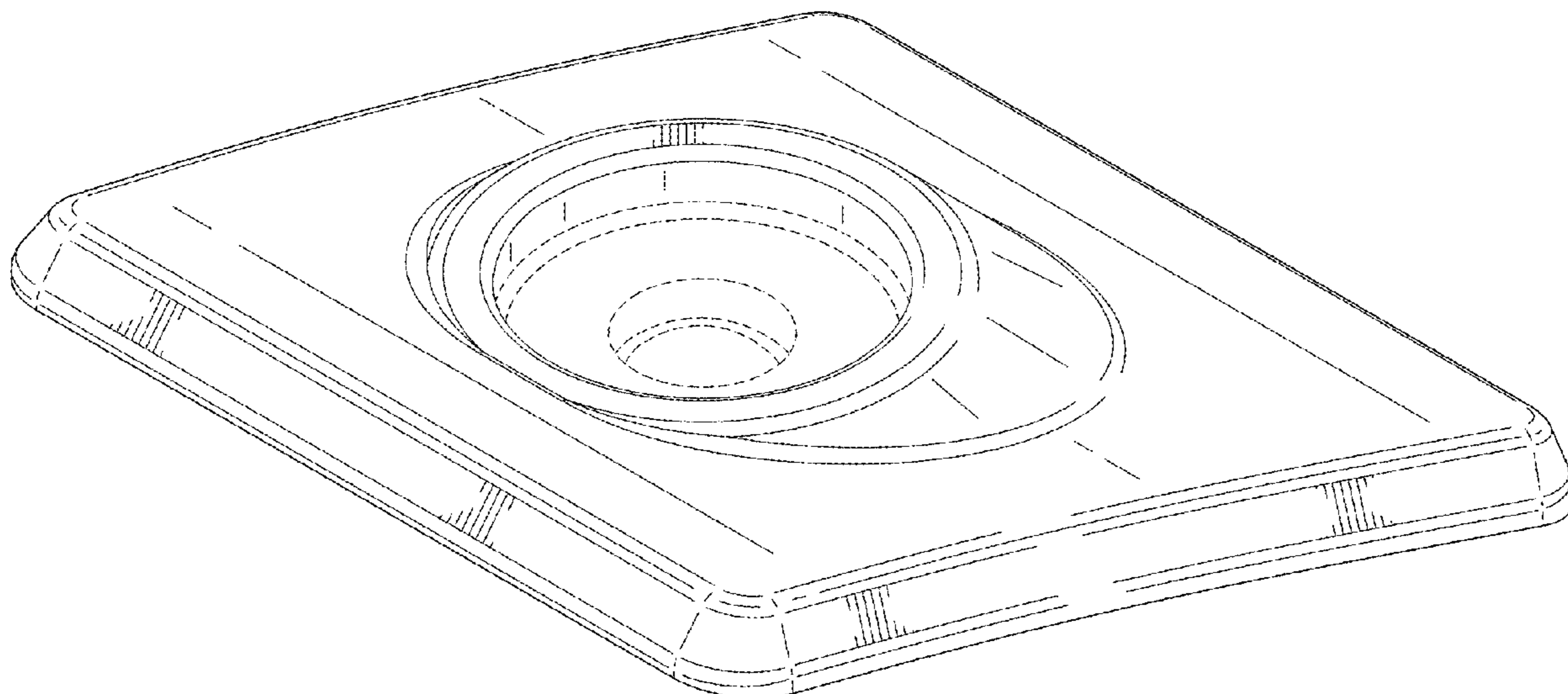
FIG. 6 is a top plan view thereof;

FIG. 7 is a bottom plan view thereof; and,

FIG. 8 is a top, left, rear perspective view thereof, shown in a state of use.

The broken lines illustrate portions of a washer for use on a vehicle that form no part of the claimed design. The broken lines depicting a vehicle in FIG. 8 show environmental structures that form no part of the claimed design.

1 Claim, 6 Drawing Sheets



(56)

References Cited

U.S. PATENT DOCUMENTS

D647,789 S * 11/2011 McGowan D8/397
D654,937 S * 2/2012 Fader D15/138
D674,350 S 1/2013 Hodge et al.
D682,124 S * 5/2013 Small D10/64
D691,034 S 10/2013 Field et al.
D708,043 S 7/2014 Sonnendorfer et al.
D713,237 S * 9/2014 Towner D8/323
D713,240 S 9/2014 Chance et al.
D741,338 S * 10/2015 Hoshikugi D14/483
D778,702 S 2/2017 Mouthaan
D805,223 S * 12/2017 DeBellis D25/199
D812,109 S * 3/2018 Cross D15/28
D817,140 S 5/2018 Mouthaan
D835,503 S 12/2018 Votel et al.
D835,504 S 12/2018 Votel et al.
D840,779 S 2/2019 Votel et al.
D845,100 S 4/2019 Gonzalez Garcia
D857,491 S 8/2019 Bell et al.
D880,625 S * 4/2020 Romanoff D21/501
2011/0129318 A1 6/2011 Davies
2017/0321434 A1 * 11/2017 Shadwell E04F 15/02183

* cited by examiner

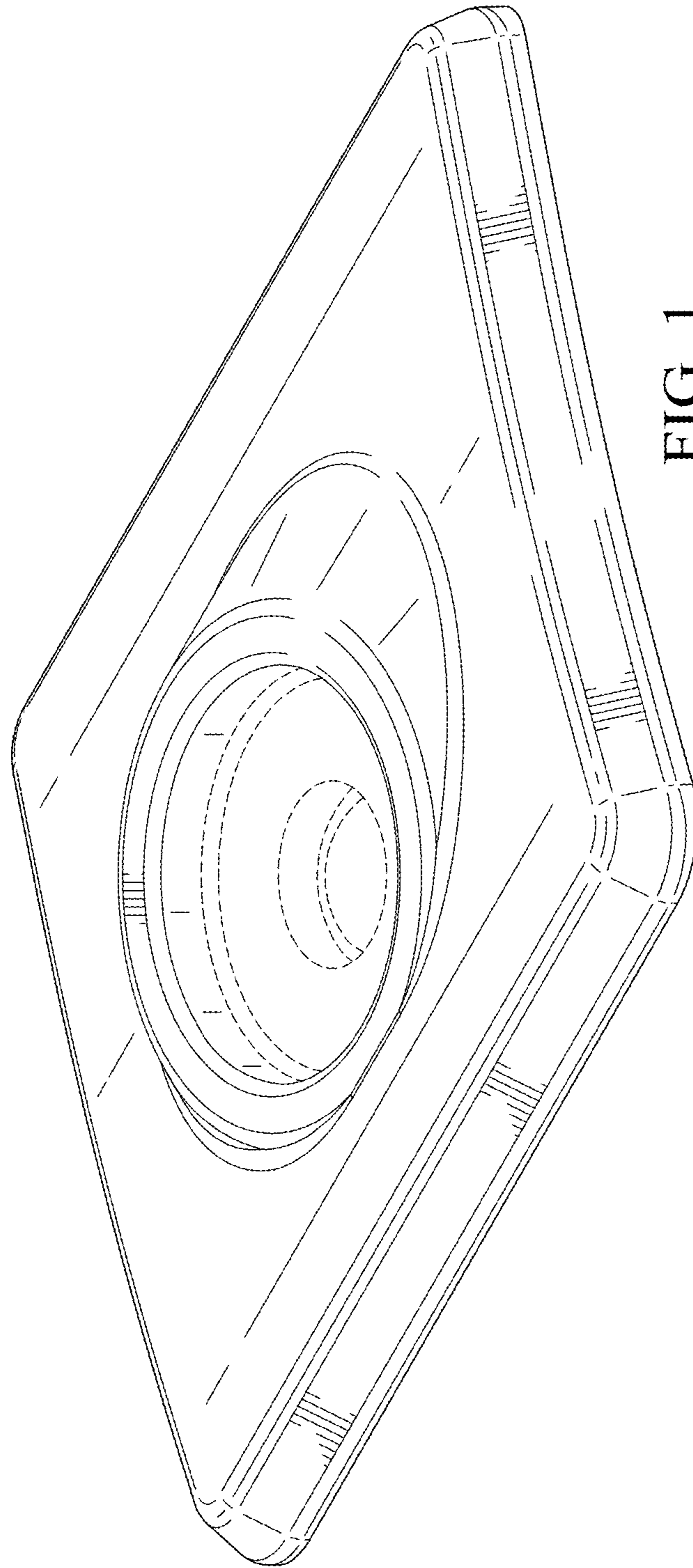


FIG. 1

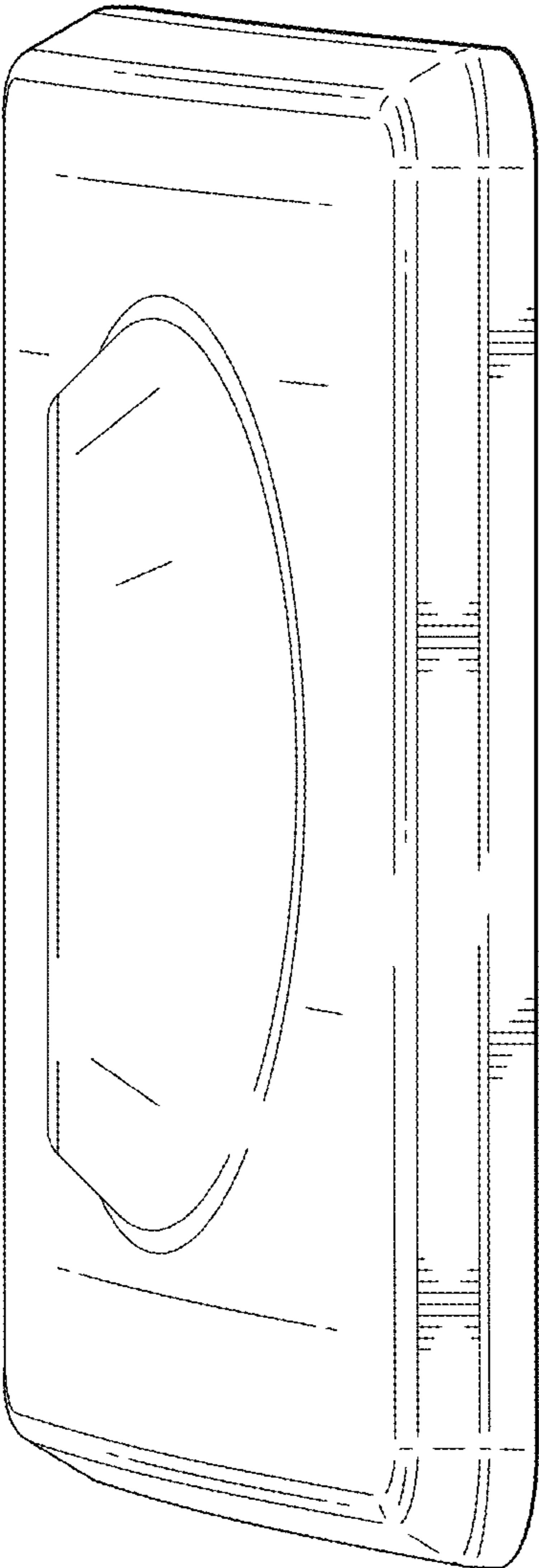


FIG. 2

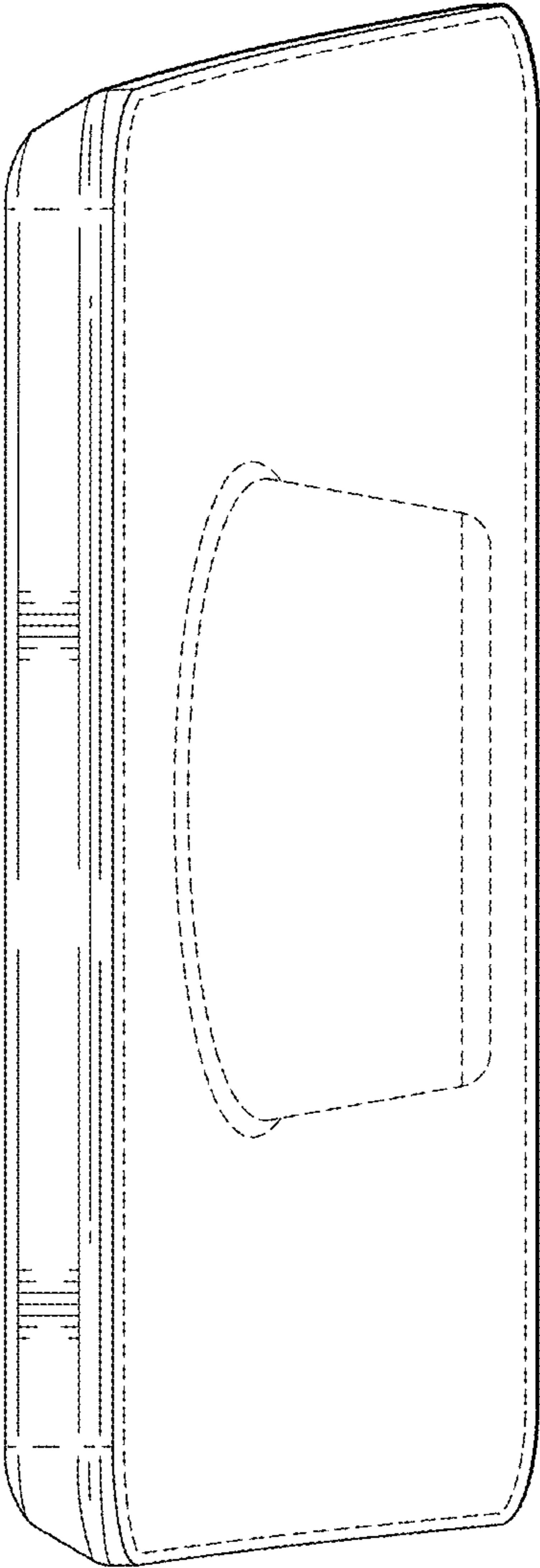


FIG. 3

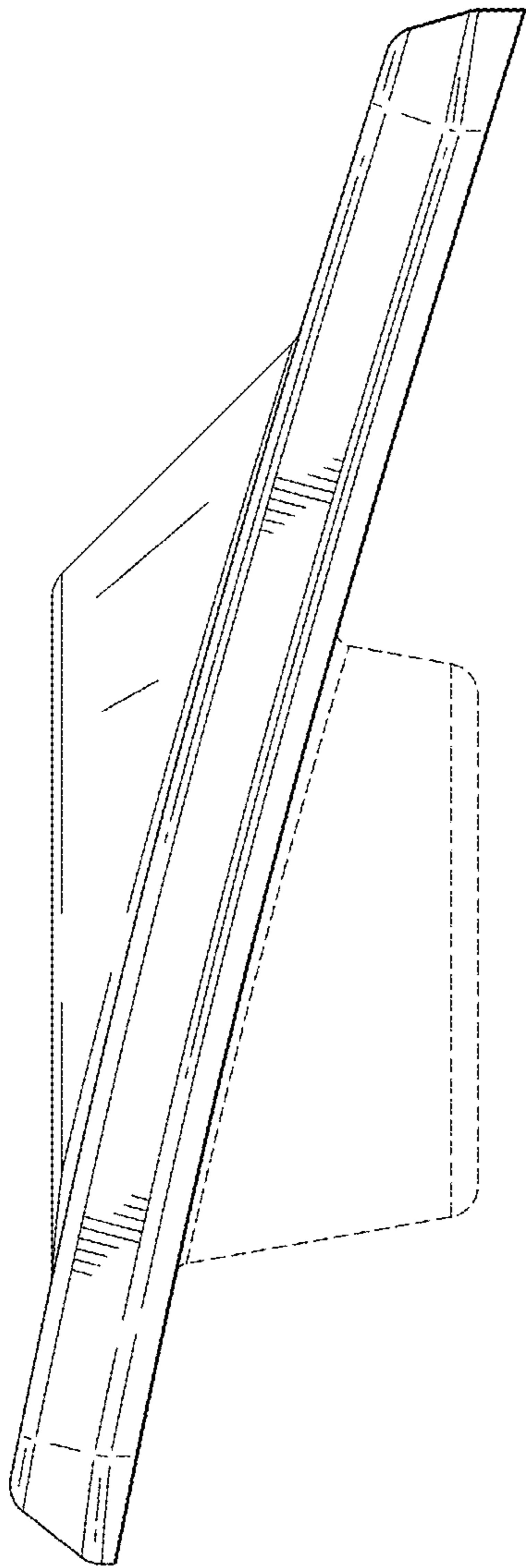


FIG. 4

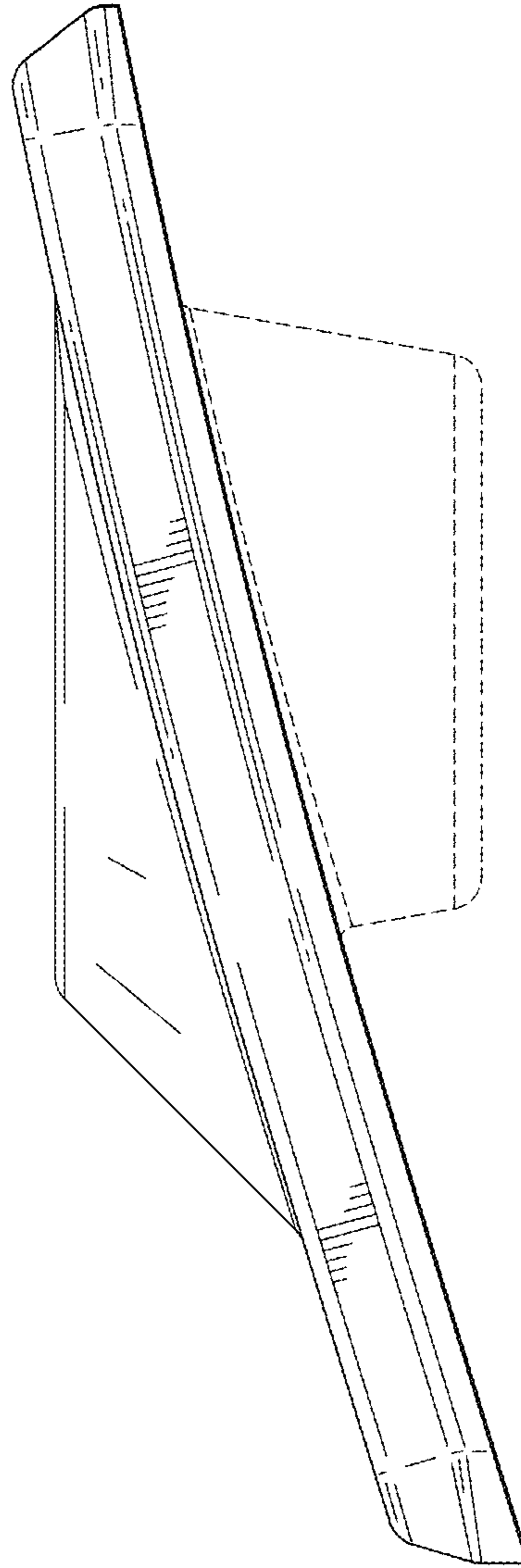


FIG. 5

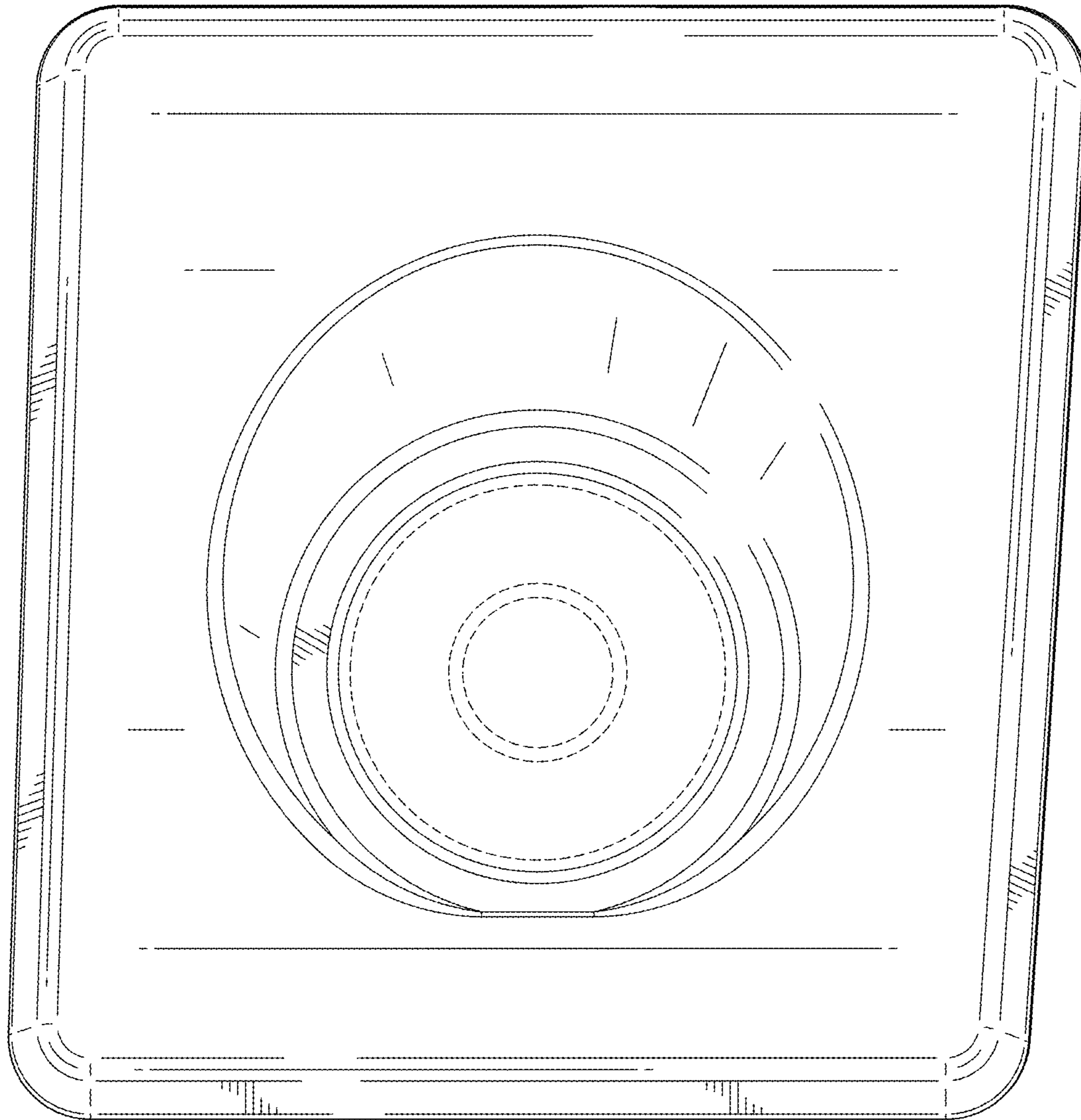


FIG. 6

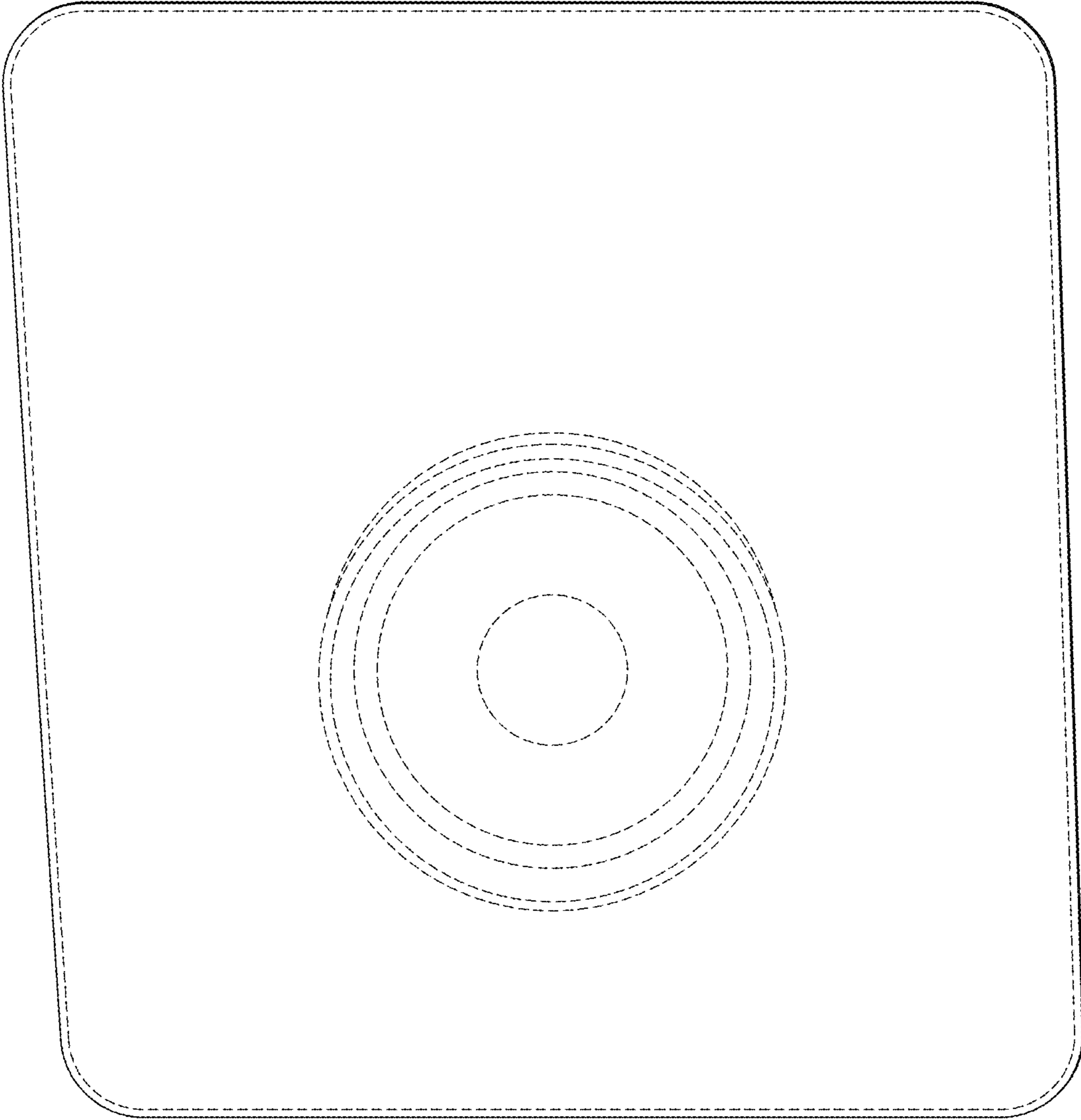


FIG. 7

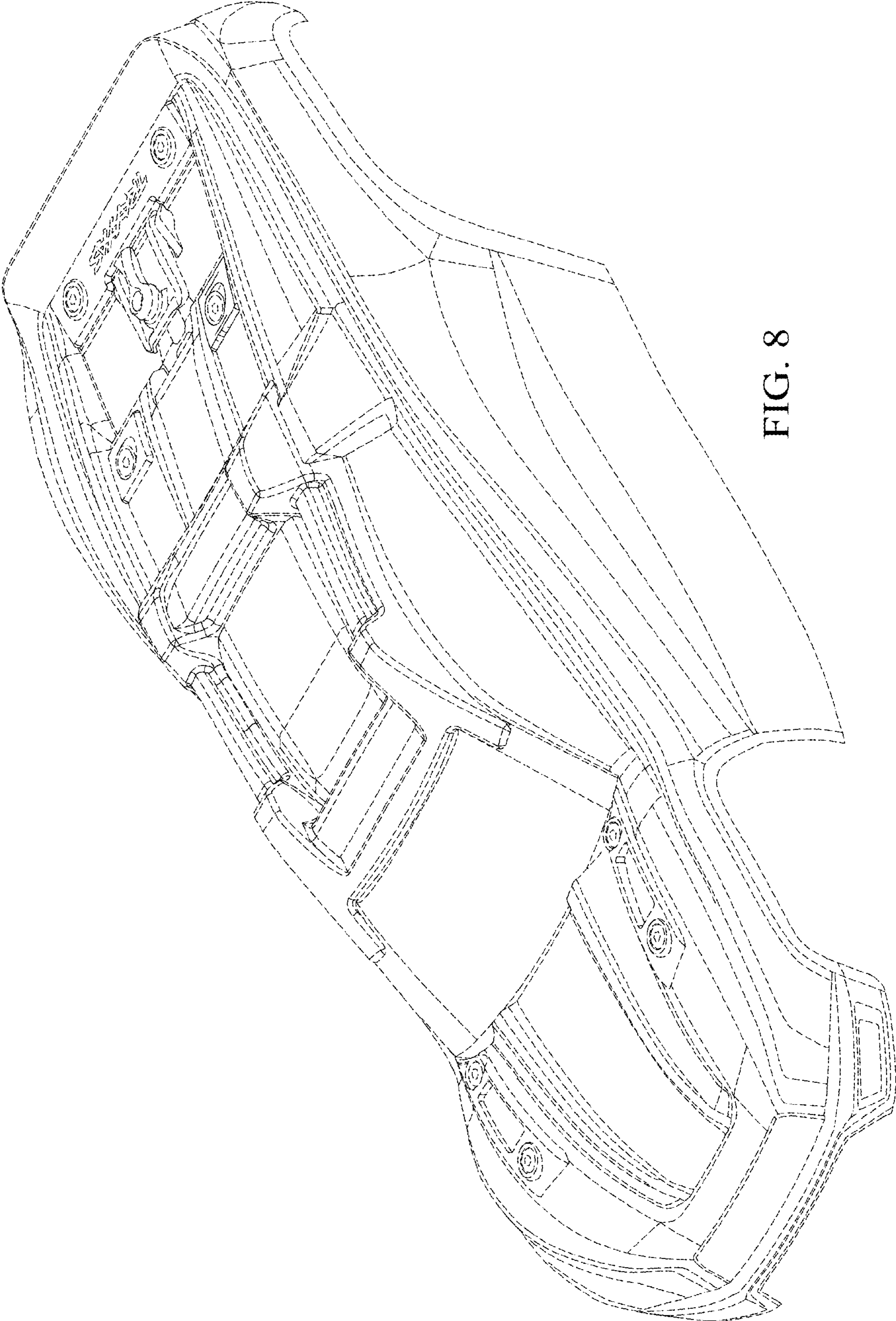


FIG. 8