



US00D901288S

(12) **United States Design Patent** (10) **Patent No.:** **US D901,288 S**  
**Sprowl et al.** (45) **Date of Patent:** **\*\* Nov. 10, 2020**

(54) **WASHER FOR USE ON A VEHICLE**

(71) Applicant: **TRAXXAS LP**, McKinney, TX (US)

(72) Inventors: **Jory Sprowl**, Honey Grove, TX (US);  
**Skylar Hagler**, Anna, TX (US); **Otto Karl Allmendinger**, Rowlett, TX (US)

(73) Assignee: **TRAXXAS LP**, McKinney, TX (US)

(\*\*) Term: **15 Years**

(21) Appl. No.: **29/688,096**

(22) Filed: **Apr. 18, 2019**

(51) **LOC (12) Cl.** ..... **08-08**

(52) **U.S. Cl.**  
USPC ..... **D8/399**; D12/190

(58) **Field of Classification Search**  
USPC ..... D21/404, 478, 479, 484, 485-505;  
D8/349, 354, 16, 382, 388, 389, 390,  
D8/71-74, 394-399, 59, 356, 323, 347,  
D8/348, 346, 343; D10/64, 65, 70, 71,  
D10/72, 73, 74; D15/10-33, 138, 131,  
D15/139, 140; D25/199; D23/259, 260;  
D14/483, 299, 496, 474, 475, 477, 480.5,  
D14/480.6; D13/155, 133, 147, 153, 154,  
D13/156, 184, 199; D12/7, 10, 154, 204;  
D24/145, 146, 147, 155  
CPC ..... E04F 15/02044; E04F 15/02183; F16B  
39/10; A63H 33/00; A63H 33/04; A63H  
33/046; A63H 33/06; A63H 33/08; A63H  
33/10; A63H 33/12; A63H 33/14; A63H  
33/26; E21D 21/00

See application file for complete search history.

(56) **References Cited**

**U.S. PATENT DOCUMENTS**

4,371,293 A \* 2/1983 Wilcox ..... E21D 21/0086  
405/302.1  
D284,165 S \* 6/1986 Brilando ..... D8/350

D364,084 S \* 11/1995 Yaich ..... D8/356  
D399,730 S \* 10/1998 Pitre ..... D8/399  
D404,128 S 1/1999 Huebner  
D445,805 S 7/2001 Bruns  
D479,793 S \* 9/2003 Jones ..... D8/349  
D484,037 S \* 12/2003 Fleetwood ..... F16B 39/10  
D8/399  
D515,910 S \* 2/2006 Gates ..... B60R 9/06  
D8/354  
D532,291 S 11/2006 Geers  
D562,187 S 2/2008 Tiede  
D571,640 S 6/2008 Misch  
D628,047 S \* 11/2010 Craig ..... D8/354

(Continued)

*Primary Examiner* — Susan E Krakower

*Assistant Examiner* — Jerry Shiuan-Hua Hsu

(74) *Attorney, Agent, or Firm* — Daryl R. Wright; Greg Carr

(57) **CLAIM**

We claim the ornamental design for a washer for use on a vehicle, as shown and described.

**DESCRIPTION**

FIG. 1 is a top, left, front perspective view, to include the mirror image, of a washer for use on a vehicle, showing our new design;

FIG. 2 is front elevation view thereof;

FIG. 3 is a rear elevation view thereof;

FIG. 4 is a left side elevation view thereof;

FIG. 5 is a right side elevation view thereof;

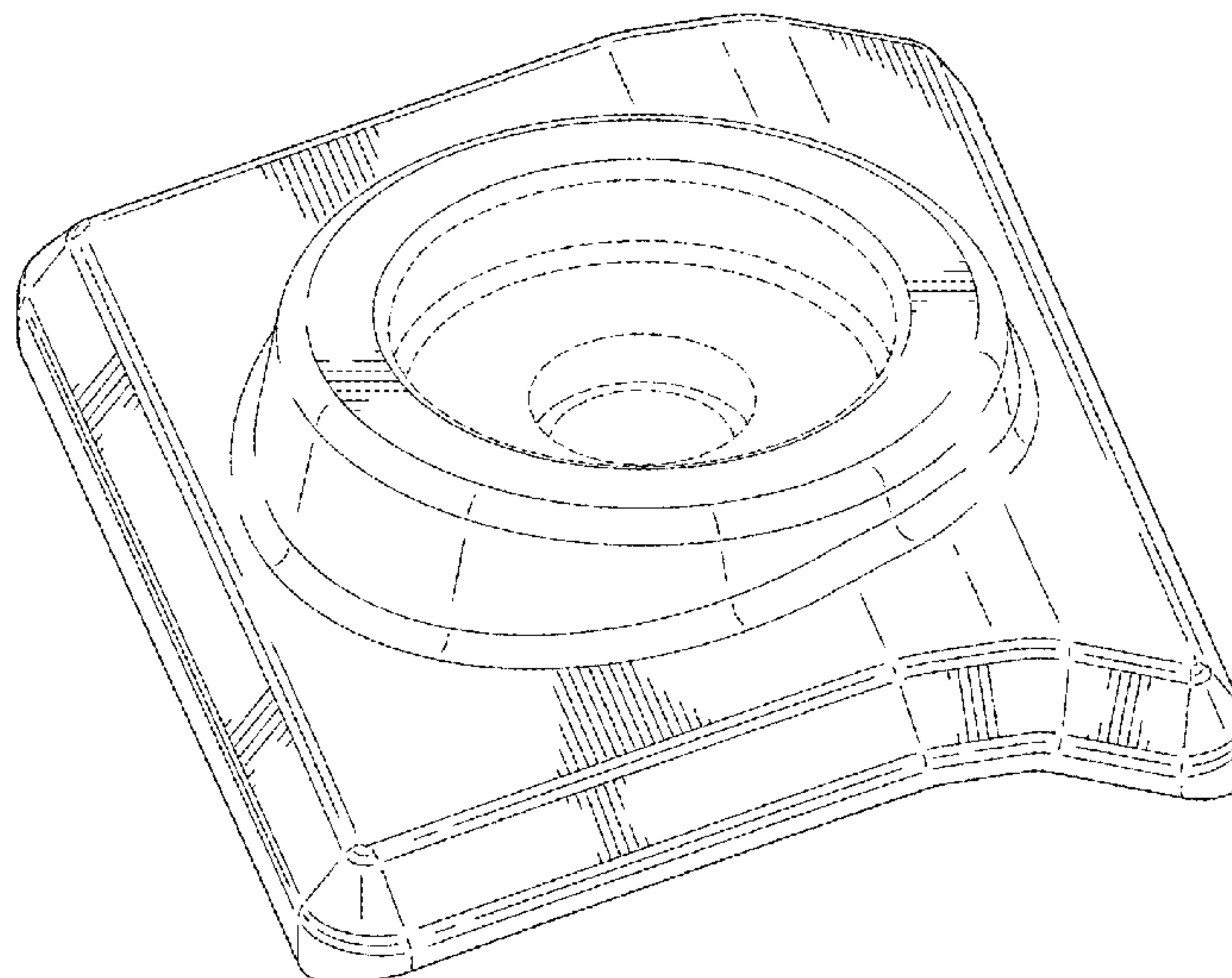
FIG. 6 is a top plan view thereof;

FIG. 7 is a bottom plan view thereof; and,

FIG. 8 is a top, left, rear perspective view thereof, shown in a state of use.

The broken lines illustrate portions of a washer for use on a vehicle that form no part of the claimed design. The broken lines depicting a vehicle in FIG. 8 show environmental structures that form no part of the claimed design.

**1 Claim, 6 Drawing Sheets**



(56)

**References Cited**

## U.S. PATENT DOCUMENTS

D647,789 S \* 11/2011 McGowan ..... D8/397  
D654,937 S \* 2/2012 Fader ..... D15/138  
D674,350 S 1/2013 Hodge et al.  
D682,124 S \* 5/2013 Small ..... D10/64  
D691,034 S 10/2013 Field et al.  
D708,043 S 7/2014 Sonnendorfer et al.  
D713,237 S \* 9/2014 Towner ..... D8/323  
D713,240 S 9/2014 Chance et al.  
D741,338 S \* 10/2015 Hoshikugi ..... D14/483  
D778,702 S 2/2017 Mouthaan  
D805,223 S \* 12/2017 DeBellis ..... D25/199  
D812,109 S \* 3/2018 Cross ..... D15/28  
D817,140 S 5/2018 Mouthaan  
D835,503 S 12/2018 Votel et al.  
D835,504 S 12/2018 Votel et al.  
D840,779 S 2/2019 Votel et al.  
D845,100 S 4/2019 Gonzalez Garcia  
D857,491 S 8/2019 Bell et al.  
D880,625 S \* 4/2020 Romanoff ..... D21/501  
2011/0129318 A1 6/2011 Davies  
2017/0321434 A1 \* 11/2017 Shadwell ..... E04F 15/02183

\* cited by examiner

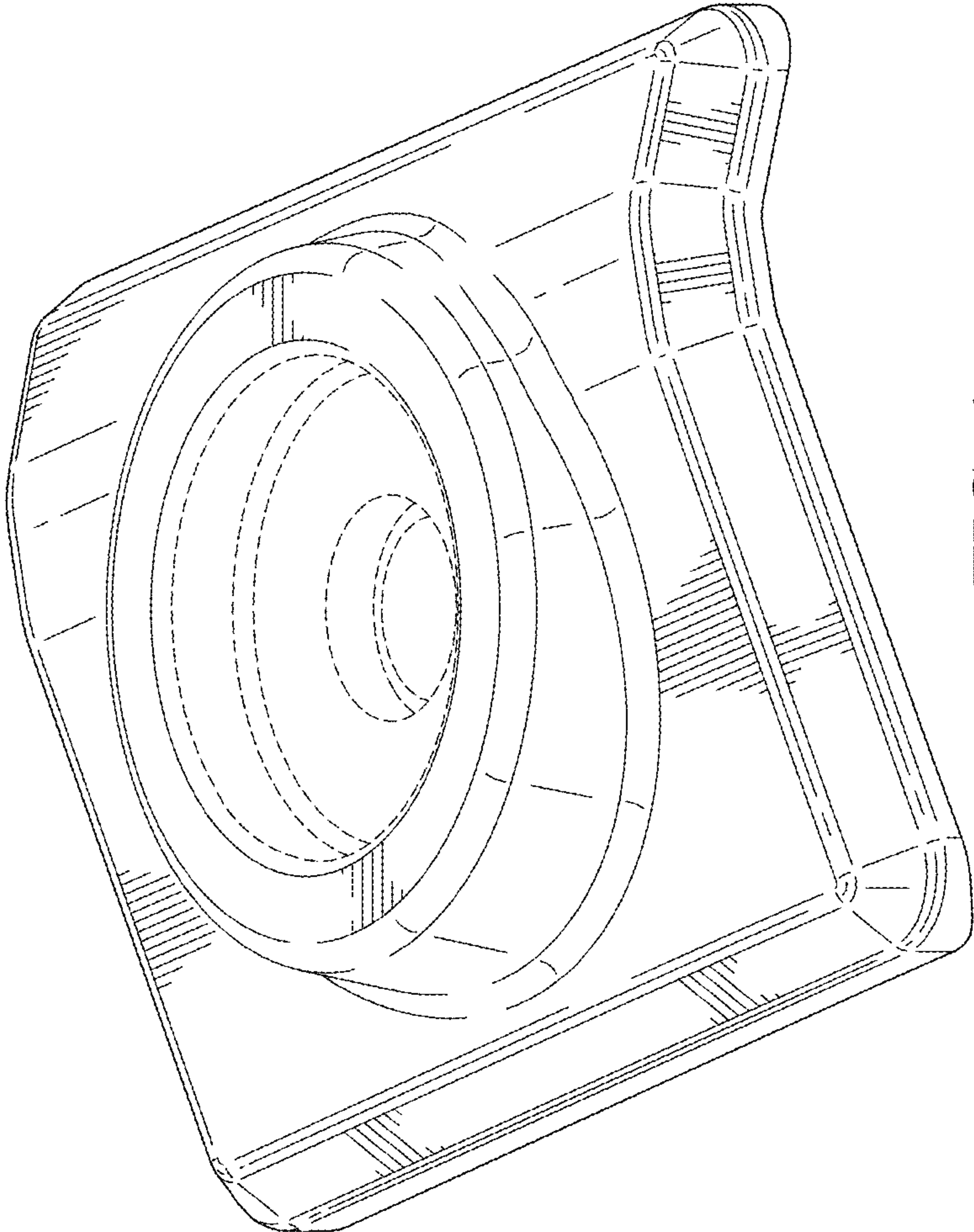


FIG. 1

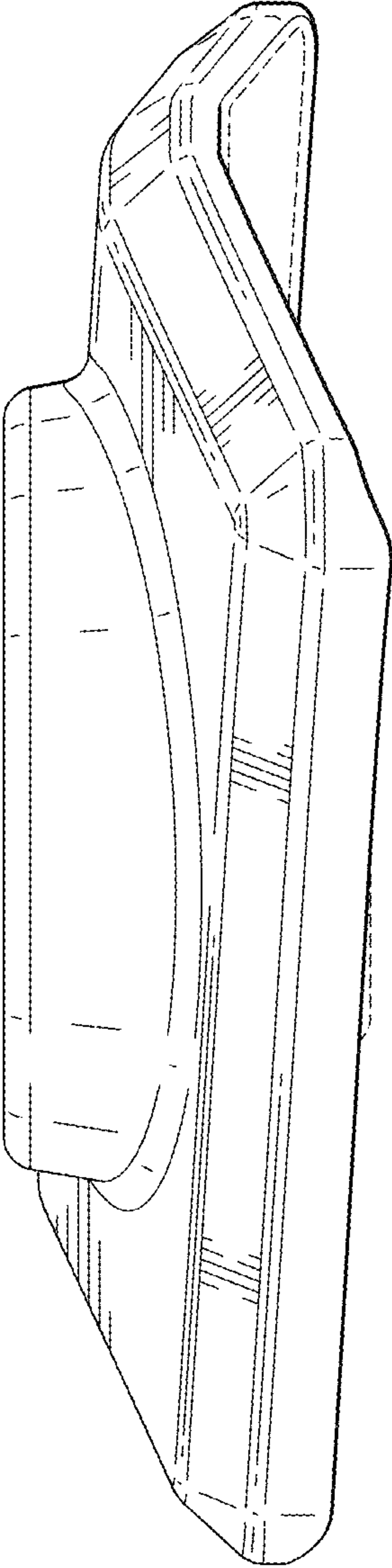


FIG. 2

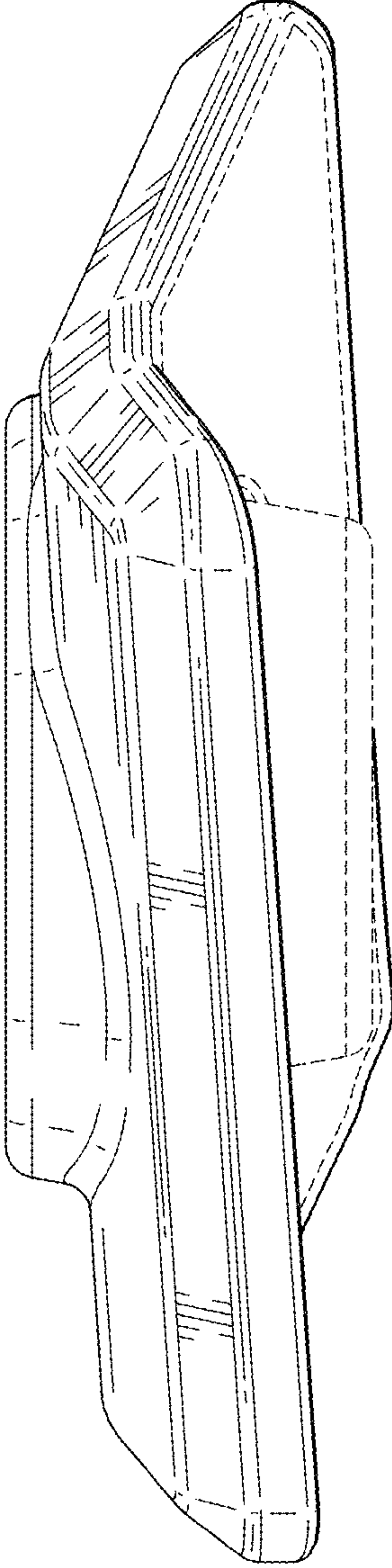


FIG. 3



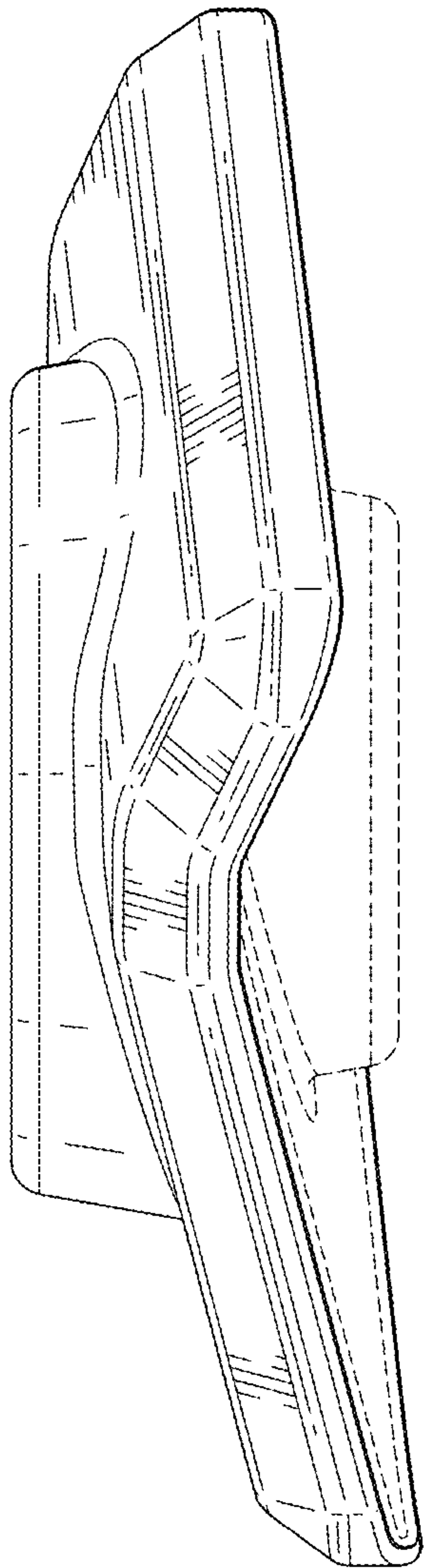


FIG. 4

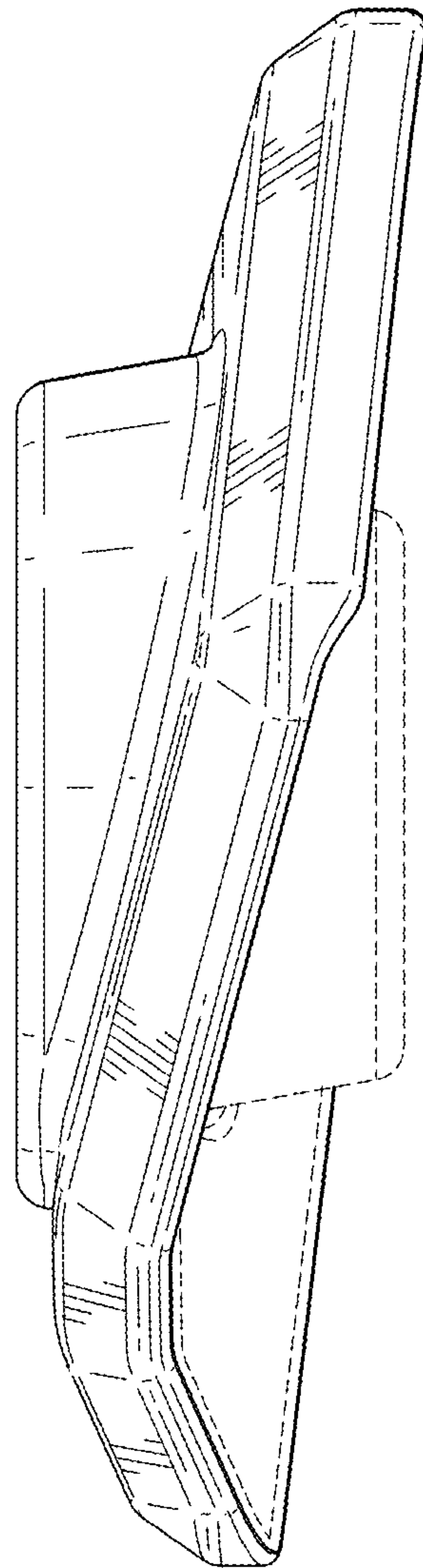


FIG. 5

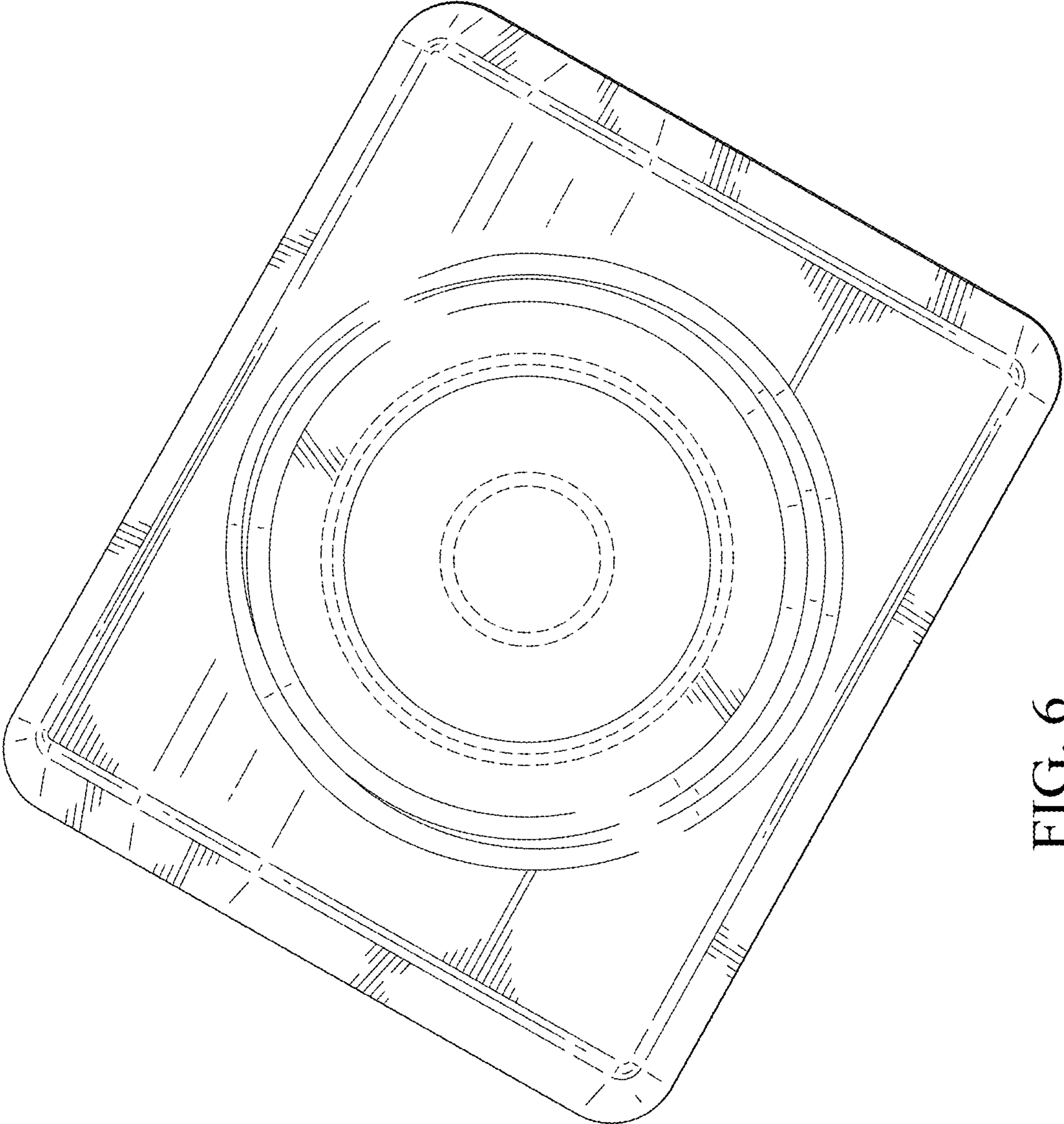


FIG. 6

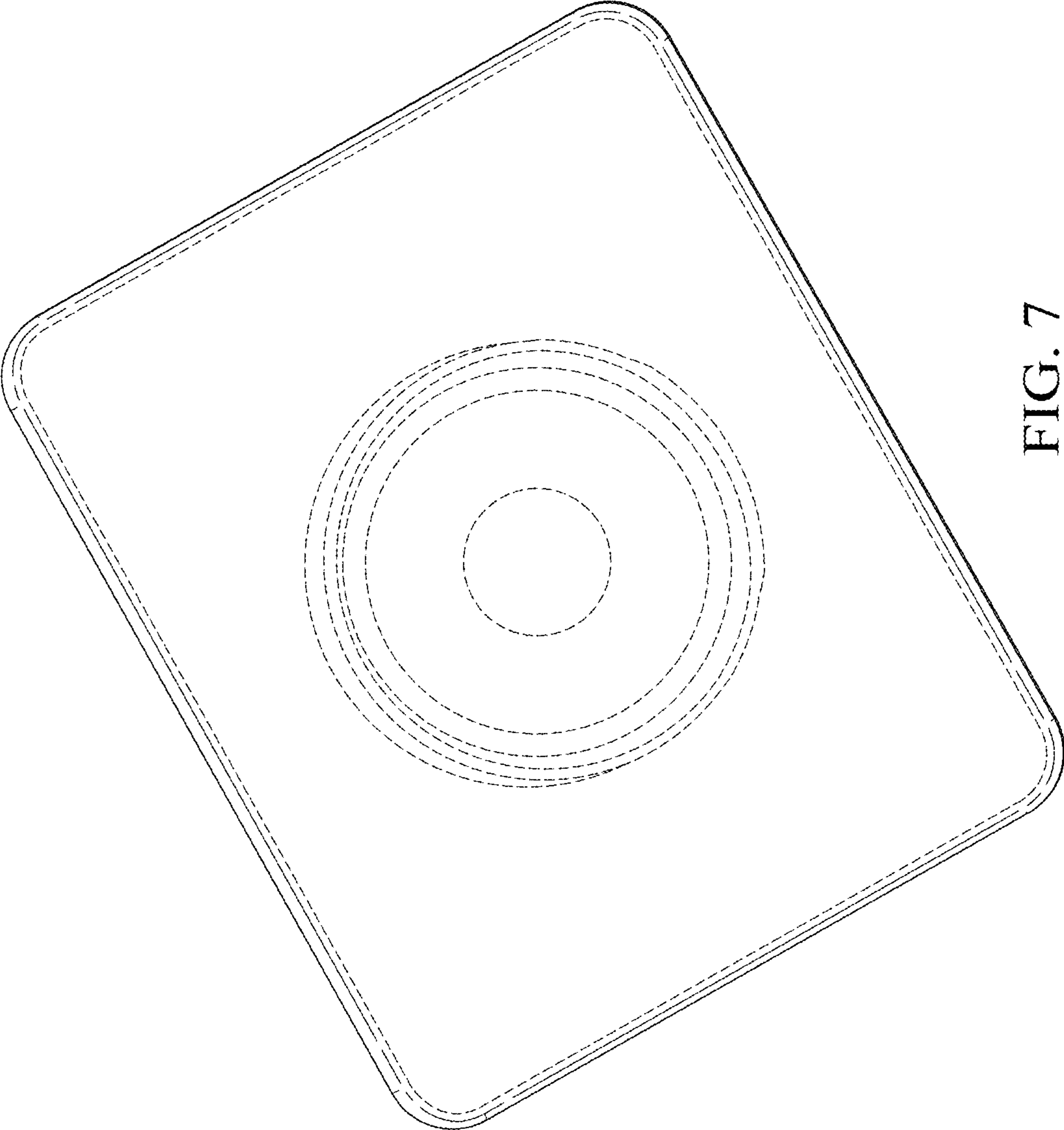


FIG. 7

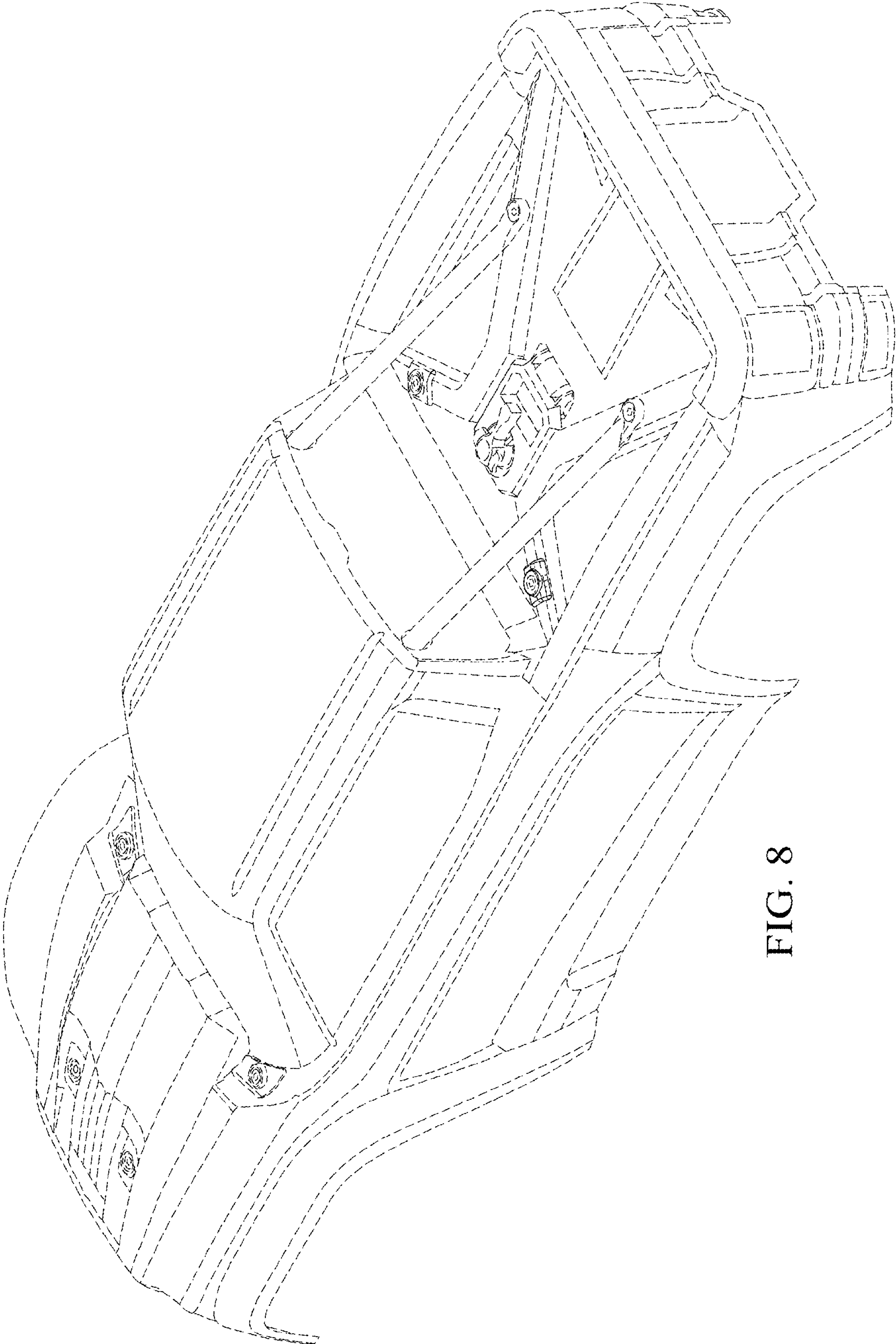


FIG. 8