



US00D901286S

(12) **United States Design Patent**
Ramirez et al.

(10) **Patent No.:** **US D901,286 S**

(45) **Date of Patent:** **** Nov. 10, 2020**

(54) **PIPE COUPLING**

(71) Applicant: **Victaulic Company**, Easton, PA (US)

(72) Inventors: **Joseph C. Ramirez**, Breinigsville, PA (US); **Philip W. Bancroft**, Belvidere, NJ (US); **Matthew K. Huettemann**, Allentown, PA (US)

(73) Assignee: **Victaulic Company**, Easton, PA (US)

(**) Term: **15 Years**

(21) Appl. No.: **29/644,382**

(22) Filed: **Apr. 17, 2018**

Related U.S. Application Data

(62) Division of application No. 29/598,954, filed on Mar. 30, 2017, now Pat. No. Des. 820,076.

(51) **LOC (12) Cl.** **08-08**

(52) **U.S. Cl.**
USPC **D8/395**; D23/262

(58) **Field of Classification Search**
USPC D8/394-396, 71-72, 79, 367;
D23/259-265; D6/217; D13/102
CPC H01L 31/042; A47H 1/00; A47H 1/16;
F41C 33/00; F41C 33/02; A45C 13/10
See application file for complete search history.

(56) **References Cited**

U.S. PATENT DOCUMENTS

D142,057 S	8/1945	Baxter	
D189,229 S *	11/1960	Bowne	D23/265
4,784,363 A	11/1988	Brown	
D298,802 S	12/1988	Tekirian	
5,058,931 A	10/1991	Bowsher	
5,230,537 A	7/1993	Newman	
D396,801 S	8/1998	Petty	
D553,971 S	10/2007	Krueger	
D568,970 S	5/2008	Gibb	

D577,423 S	9/2008	Dole	
D583,444 S	12/2008	Nagle	
D583,914 S *	12/2008	Pierce	D23/262
D587,349 S	2/2009	Madara	
D597,635 S	8/2009	Dole	
D602,127 S *	10/2009	Shah	D23/262
D605,734 S *	12/2009	Henry	D23/262
D605,736 S *	12/2009	Porter	D23/262
D607,549 S *	1/2010	Shah	D23/262
D618,312 S *	6/2010	Madara	D23/262

(Continued)

FOREIGN PATENT DOCUMENTS

KR 300905015.0000 * 5/2017

OTHER PUBLICATIONS

Victaulic Pipe Fitting QuickVic Coupling, <https://www.ebay.com/p/Victaulic-Pipe-Fitting-QuickVic-Coupling-107N-2-or-60-3mm/1975761331?iid=311808129873&chn=ps>, site visited Apr. 15, 2019.*

(Continued)

Primary Examiner — John R Yeh

(74) *Attorney, Agent, or Firm* — Ballard Spahr LLP

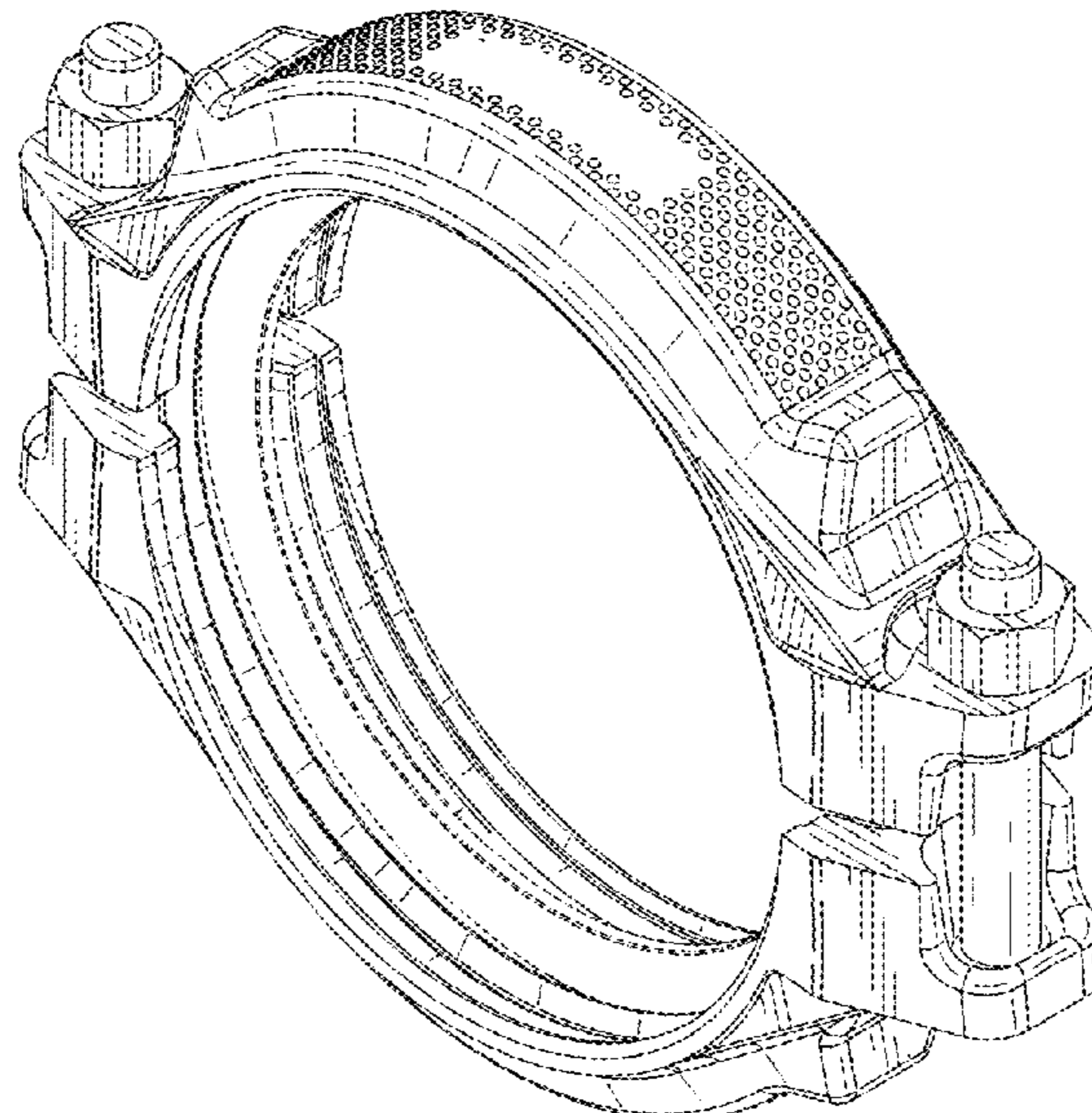
(57) **CLAIM**

We claim the ornamental design for a pipe coupling, as shown and described.

DESCRIPTION

FIG. 1 is an isometric view of our design for a pipe coupling; FIG. 2 is a front view thereof, the rear view being a mirror image thereof; FIG. 3 is a left side view thereof, the right side view being a mirror image thereof; FIG. 4 is a top view thereof; and, FIG. 5 is a bottom view thereof. The broken lines depict portions of the pipe coupling that form no part of the claimed design.

1 Claim, 3 Drawing Sheets



(56)

References Cited

U.S. PATENT DOCUMENTS

D629,074 S 12/2010 Shah
 D629,075 S * 12/2010 Madara D23/262
 D629,076 S 12/2010 Madara
 D629,080 S * 12/2010 Dole D23/262
 D629,496 S 12/2010 Madara
 D633,600 S * 3/2011 Madara D23/262
 D636,470 S * 4/2011 Dole D23/262
 D651,290 S * 12/2011 Shah D23/262
 D653,103 S 1/2012 Tomasi
 D680,630 S * 4/2013 Beagen, Jr. D23/262
 D681,440 S 5/2013 Yu
 D692,294 S 10/2013 Koeniger
 D755,621 S 5/2016 Madara
 D756,212 S * 5/2016 Wilk, Jr. D23/262
 D756,612 S 5/2016 Wilk, Jr.
 9,361,746 B2 6/2016 Otzen
 D767,103 S * 9/2016 Sewell D23/262

D769,384 S * 10/2016 Altemus, Jr. D21/753
 D805,888 S 12/2017 De Los Santos
 D813,025 S * 3/2018 Yesavage D8/395
 D836,184 S * 12/2018 Lippka D23/262
 D839,399 S * 1/2019 Lippka D23/262
 2004/0036291 A1 2/2004 Dole
 2005/0242585 A1 11/2005 Dole
 2015/0369405 A1 12/2015 Vandal
 2016/0186902 A1* 6/2016 Lee F16L 21/06
 285/420

OTHER PUBLICATIONS

Swivel Duo Purpose I-Bolt Clamp, https://www.scaffoldexpress.com/...0ARIsAAcYycFh9wJh1Y-p_fBnsgetBFJUsGzAdWN3ydaKj17hGKZ7UJ-hMUOtK6waAgixEALw_wcB, site visited Mar. 29, 2019.*

* cited by examiner

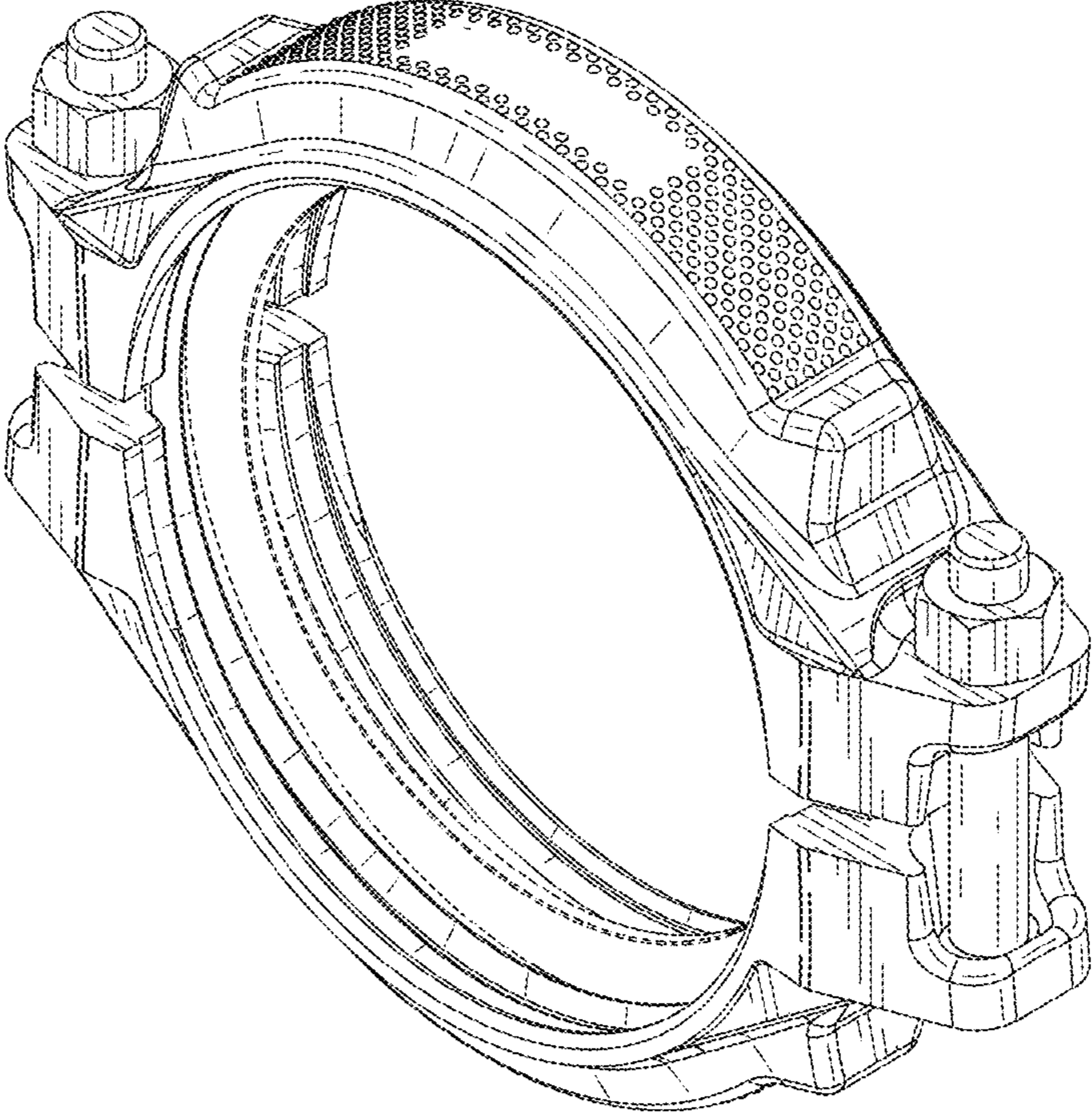


FIG. 1

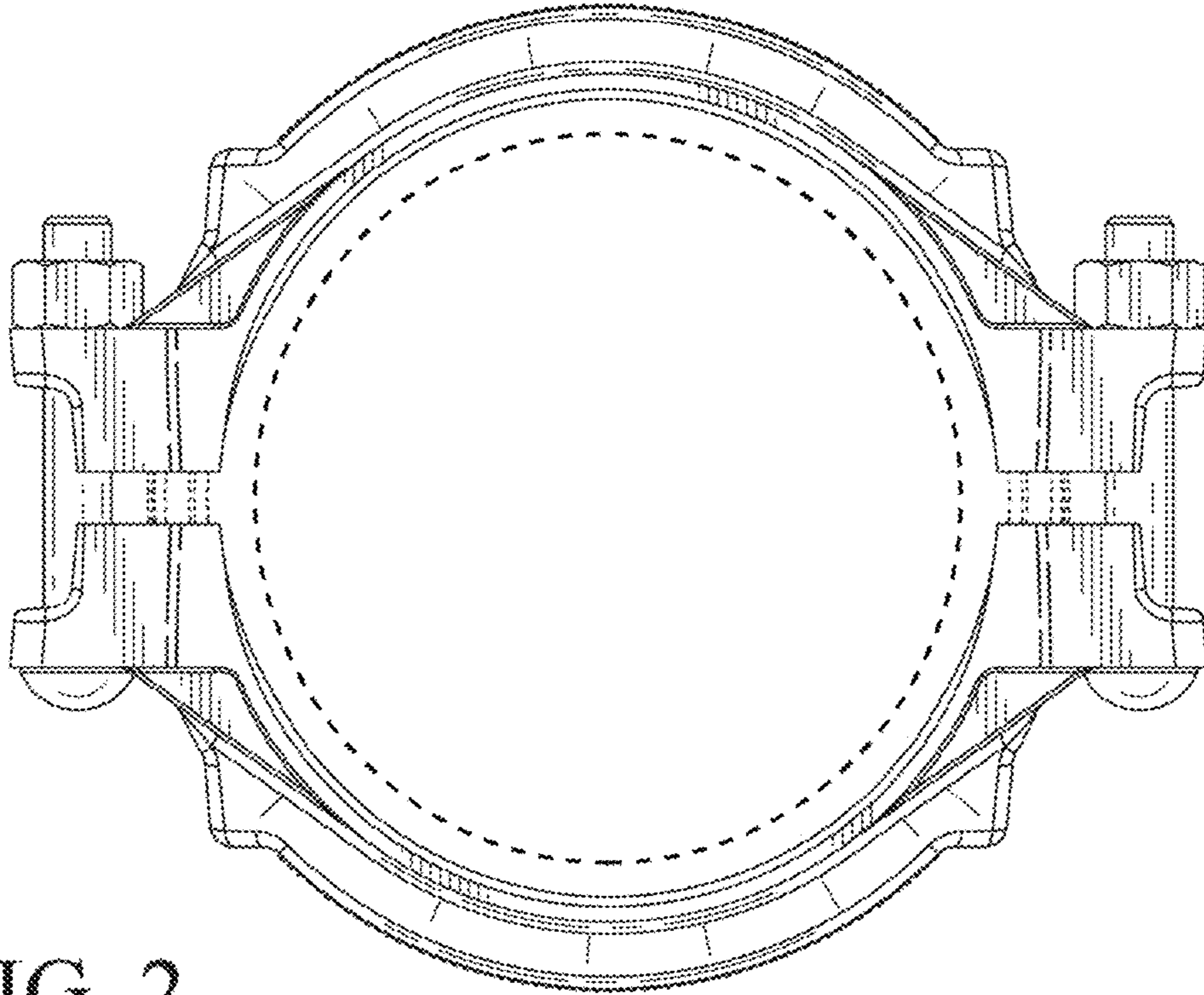


FIG. 2

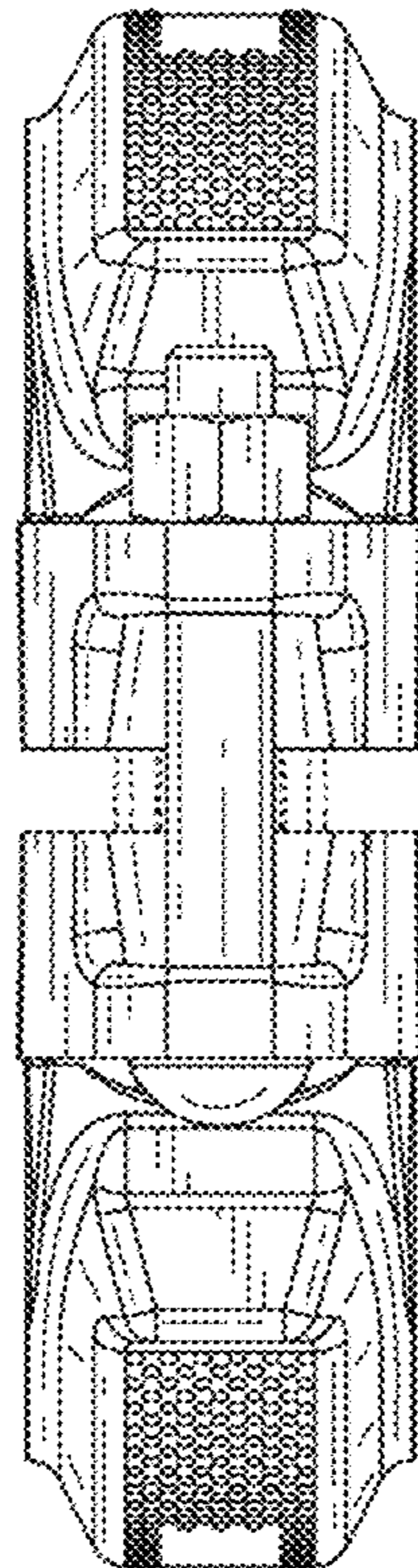


FIG. 3

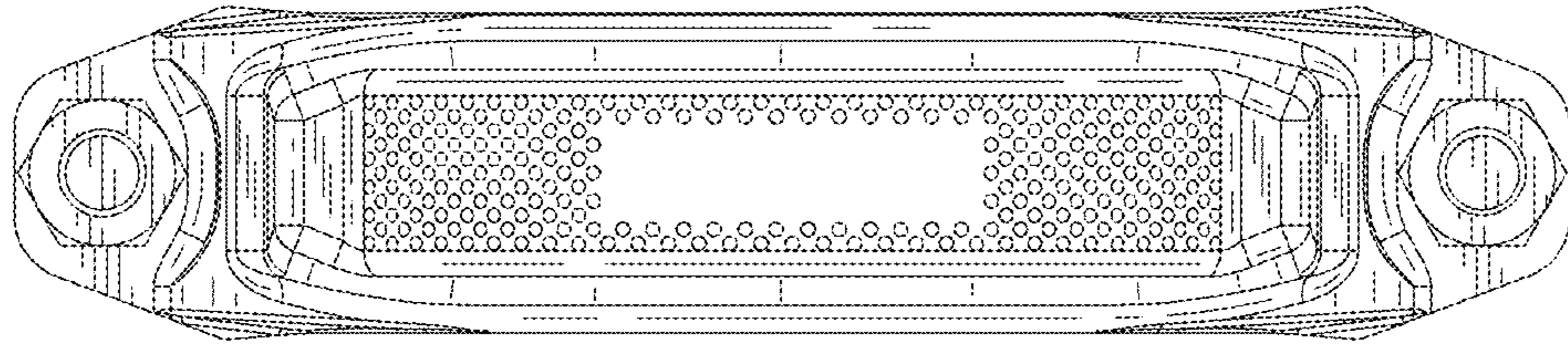


FIG. 4

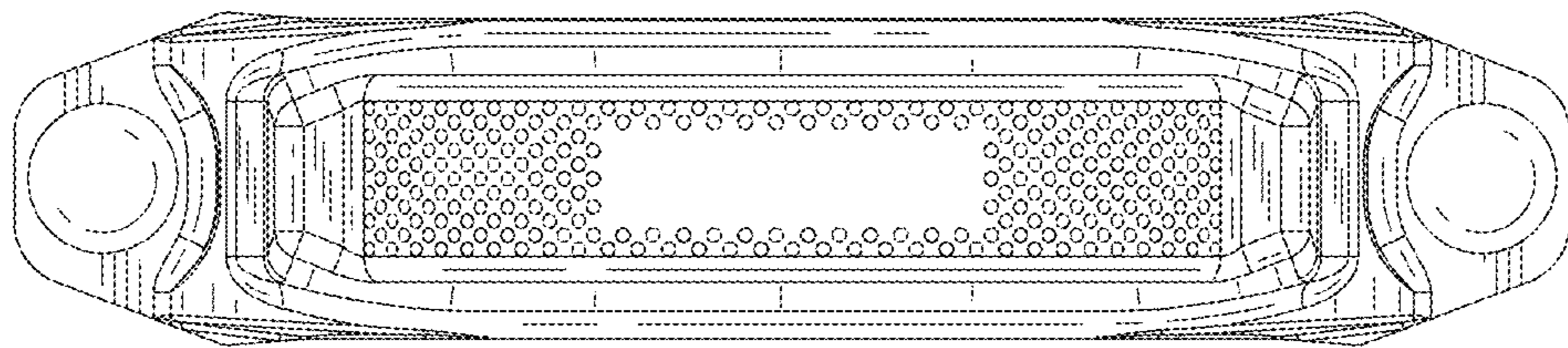


FIG. 5