



US00D901285S

(12) **United States Design Patent** (10) **Patent No.:** **US D901,285 S**
Nguyen (45) **Date of Patent:** **** Nov. 10, 2020**

(54) **OBJECT GRIPPER**
(71) Applicant: **Nguyen Nguyen**, Chicago, IL (US)
(72) Inventor: **Nguyen Nguyen**, Chicago, IL (US)
(**) Term: **15 Years**
(21) Appl. No.: **29/650,440**
(22) Filed: **Jun. 6, 2018**

2,818,673 A 1/1958 Nedbalek
2,869,198 A * 1/1959 Clevett, Jr. A45F 5/021
24/3.12
3,035,864 A 5/1962 Davidson
3,057,365 A * 10/1962 Buzzelli A45D 2/2471
132/262

(Continued)

FOREIGN PATENT DOCUMENTS

DK MR1987000078-0001 * 10/1985
WO WO D084928-001 8/2015

Related U.S. Application Data

(63) Continuation of application No. 29/583,181, filed on Nov. 2, 2016, now Pat. No. Des. 822,474, which is a continuation-in-part of application No. 14/533,935, filed on Nov. 5, 2014, now Pat. No. 9,603,440.
(51) **LOC (12) Cl.** **08-08**
(52) **U.S. Cl.**
USPC **D8/394**
(58) **Field of Classification Search**
USPC D8/394-396, 499, 71-74; D24/180;
D6/315, 546
CPC . H01R 9/05; A01K 87/06; A01M 1/02; B63B
21/08; B65D 63/00; A43C 1/00; A45D
1/04
See application file for complete search history.

OTHER PUBLICATIONS

L&S Engineers website, Tension Spring for Makita DHS68 Circular Saw, 2019, <https://www.lseengineers.co.uk/makita-tension-spring-4-hs6100-dhs68-231878-2.html>, site visited Aug. 18, 2019 (Year: 2019).*

(Continued)

Primary Examiner — John R Yeh
(74) *Attorney, Agent, or Firm* — Neal, Gerber & Eisenberg LLP; James Muraff

(57) **CLAIM**

The ornamental design for an object gripper, as shown and described.

(56) **References Cited**

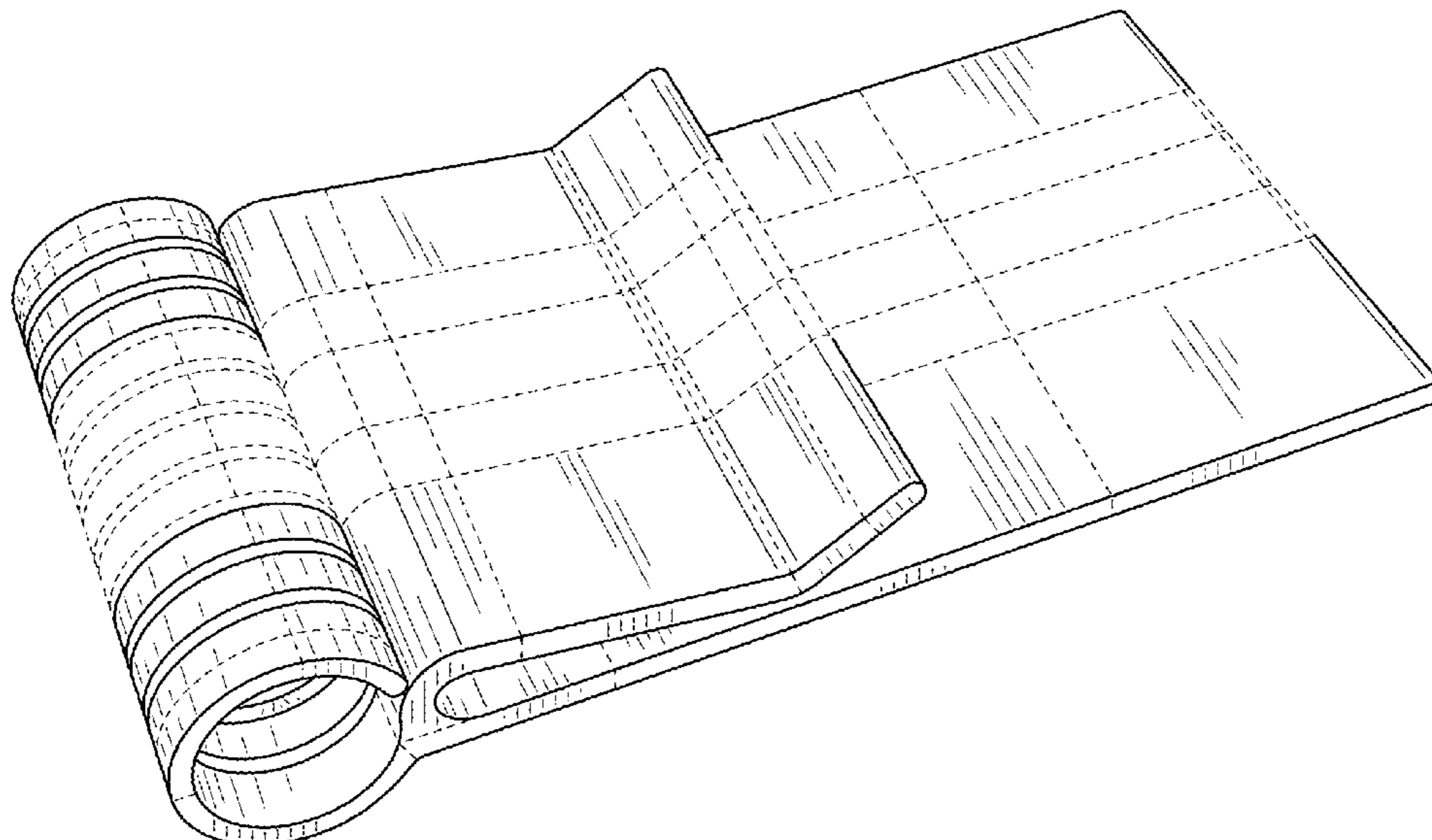
U.S. PATENT DOCUMENTS

D26,680 S * 2/1897 Faatz D8/371
D33,452 S 10/1900 Pax
884,256 A 4/1908 Addie
972,372 A * 10/1910 Harding F16L 33/00
285/244
1,102,350 A 7/1914 Myers
1,346,393 A 7/1920 Woodhouse
1,478,880 A 12/1923 Otterbein
1,857,488 A * 5/1932 Weeks B42F 1/06
24/563
2,809,004 A 10/1957 Kaufman et al.

DESCRIPTION

FIG. 1 is a front, left perspective view for an object gripper; FIG. 2 is a left side view thereof; FIG. 3 is a right side view thereof; FIG. 4 is a rear view thereof; FIG. 5 is a front view thereof; FIG. 6 is a top view thereof; and, FIG. 7 is a bottom thereof. The broken lines depict features of the object gripper that form no part of the claimed design.

1 Claim, 4 Drawing Sheets



(56)

References Cited

U.S. PATENT DOCUMENTS

3,362,191 A * 1/1968 Louette F16D 3/68
464/49

3,666,372 A 5/1972 Lipkowski

4,073,317 A * 2/1978 Ellis F16L 3/137
138/147

D267,810 S * 2/1983 Orsos D20/43

D269,155 S * 5/1983 Rose D8/356

4,425,682 A * 1/1984 Hashimoto F16L 33/03
24/20 R

D280,973 S * 10/1985 Ferrell D8/395

D291,409 S * 8/1987 Themistos D8/329

D308,819 S 6/1990 Anscher

D312,069 S 11/1990 Williamson et al.

5,048,159 A 9/1991 Johansson et al.

5,215,107 A * 6/1993 Van Divner A45D 2/14
132/248

5,524,327 A * 6/1996 Mickel F16L 3/00
24/115 A

5,577,302 A 11/1996 Bortle

5,711,324 A * 1/1998 Johnson A45D 2/24
132/245

5,713,380 A * 2/1998 Dietze A45D 2/12
132/226

5,715,846 A * 2/1998 Kim A45D 2/12
132/210

5,752,297 A 5/1998 Ramey

D415,343 S * 10/1999 Maddox D3/207

6,098,251 A 8/2000 Zielinski

6,334,242 B1 1/2002 Scollard et al.

6,477,744 B1 11/2002 Miles

6,497,010 B1 * 12/2002 Klor F16L 33/03
24/20 EE

D566,539 S 4/2008 Hicks

D584,599 S 1/2009 Chavez

7,597,296 B2 10/2009 Conway

D621,625 S * 8/2010 Sharp D6/315

D632,910 S * 2/2011 Sisto D6/546

D640,973 S 7/2011 Katsaros

D652,376 S 1/2012 Nomi et al.

D663,357 S * 7/2012 Bookhamer D19/81

8,212,186 B2 * 7/2012 Kaizuka A45D 4/06
219/221

8,443,494 B2 5/2013 Sharp

D704,542 S 5/2014 Sudell

D710,741 S 8/2014 Hirschorn

D715,630 S * 10/2014 Szymanski D8/395

9,009,922 B2 4/2015 Perreault

9,089,672 B2 7/2015 Hendriksen et al.

D736,853 S * 8/2015 Brown D19/34

9,377,161 B2 * 6/2016 Hanchett F16M 13/022

D770,887 S * 11/2016 Sudol D8/395

D781,571 S 3/2017 Moerer

9,603,440 B2 3/2017 Nguyen

D811,772 S * 3/2018 Richtmyre D6/546

D822,474 S * 7/2018 Nguyen D8/394

2003/0222189 A1 12/2003 Lee

2007/0024805 A1 2/2007 Sasaki

2009/0069060 A1 3/2009 Kim

2010/0254123 A1 10/2010 Brown

2013/0139357 A1 * 6/2013 Allen, Sr. A45F 5/022
24/3.6

2016/0143425 A1 5/2016 Tvrdy

2017/0208888 A1 7/2017 Volmer

OTHER PUBLICATIONS

Clipboards.com Mini Clipboard Pen Clip, website 2017, [site visited Sep. 14, 2017 5:28:55pm], https://clipboards.com/jNBRCYAR1sACEBhDPTP9ZUD47pTR9VNIUjgq9MhDToYjidcAZyRWK5tDec5N11MiYIDY4aAiybEALw_wcB.

Double Barrel Pen Clip—Levenger website oldest review Jan. 1, 2015, <http://www.levenger.com/PENS---REFILLS-8/PEN-CASES---STANDS-92/Double-Barrel-Pen-Clip-6076.aspx#ReviewHeader>, [site visited Sep. 14, 2017 5:26:17 PM].

* cited by examiner

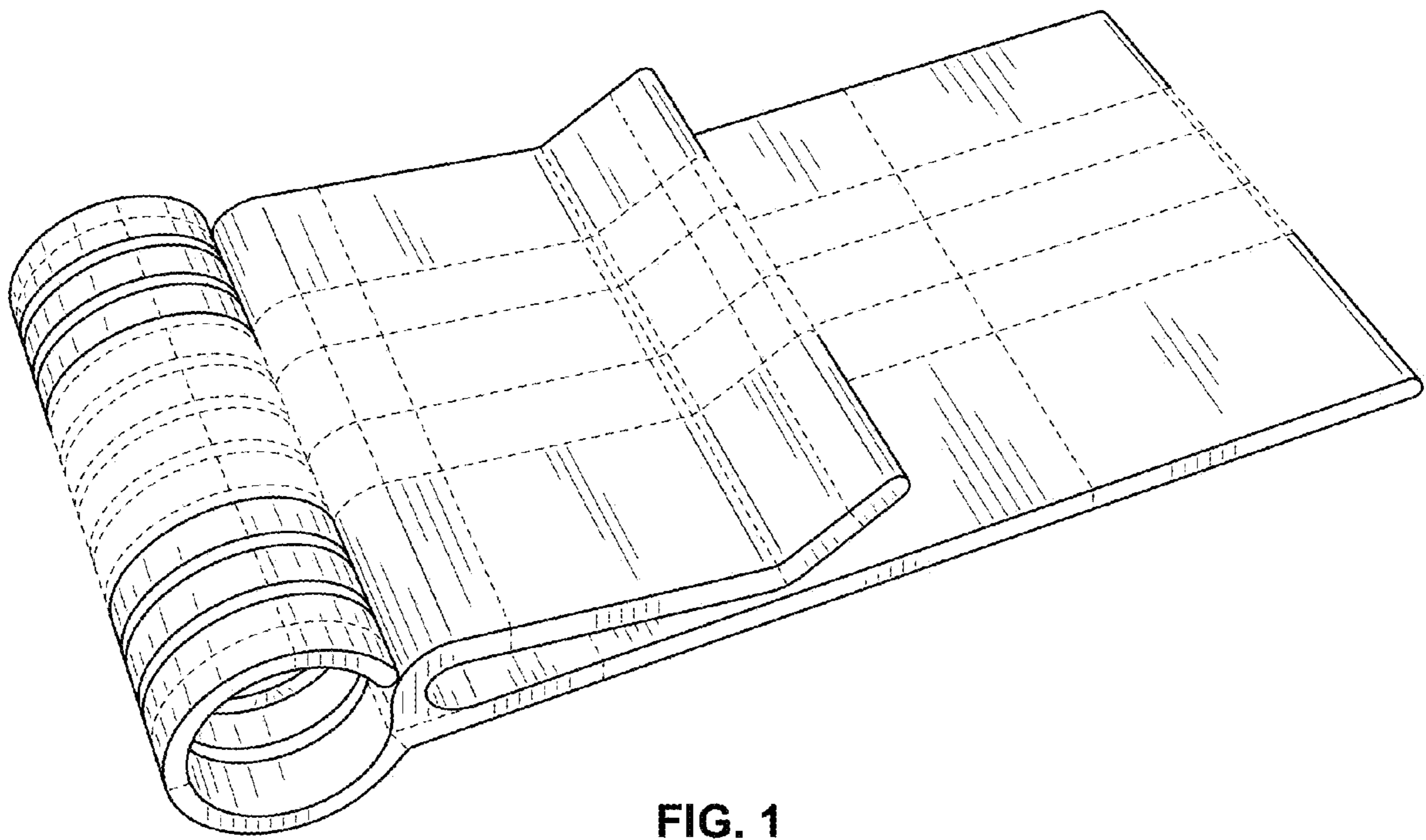


FIG. 1

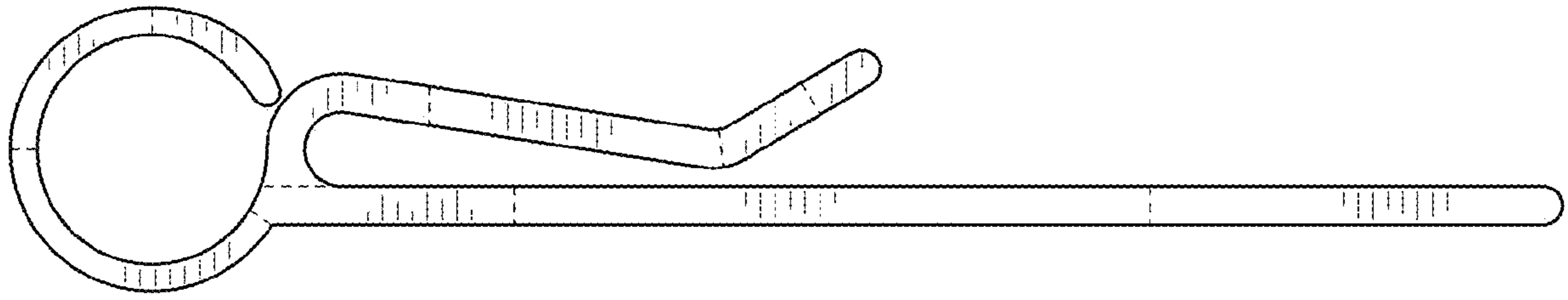


FIG. 2

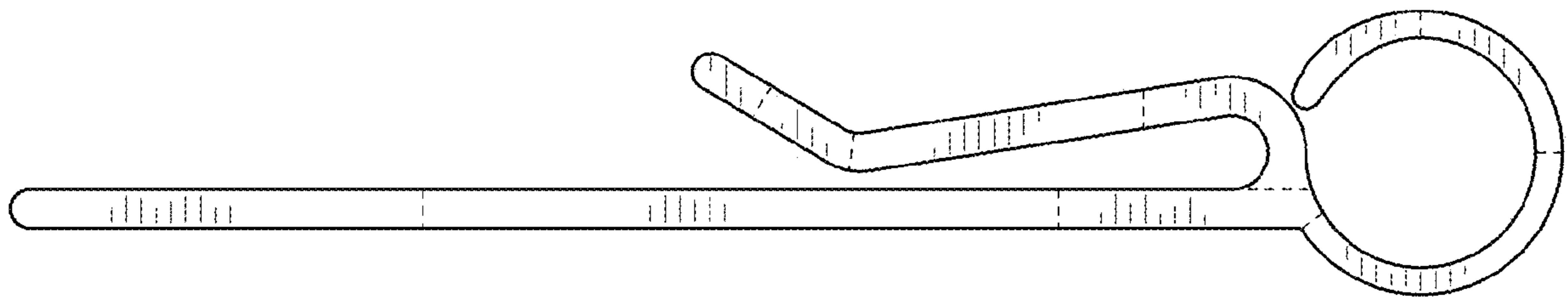


FIG. 3

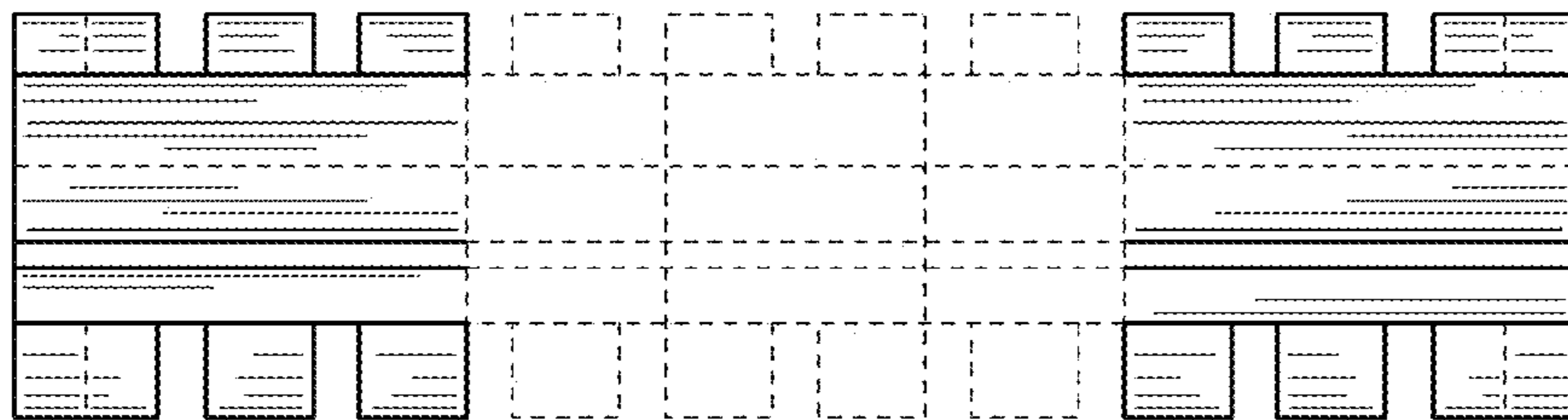


FIG. 4

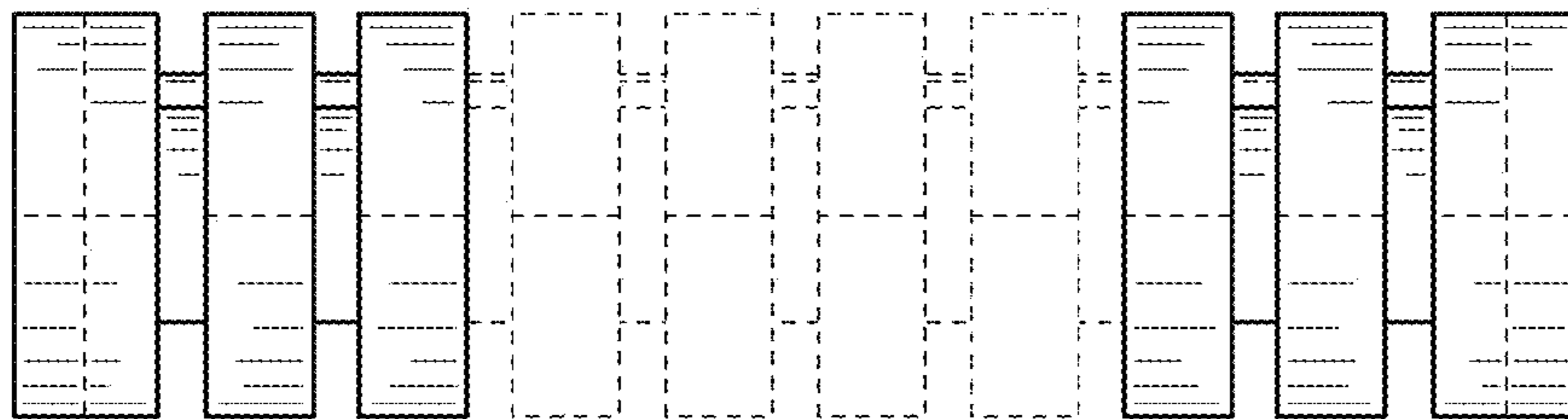


FIG. 5

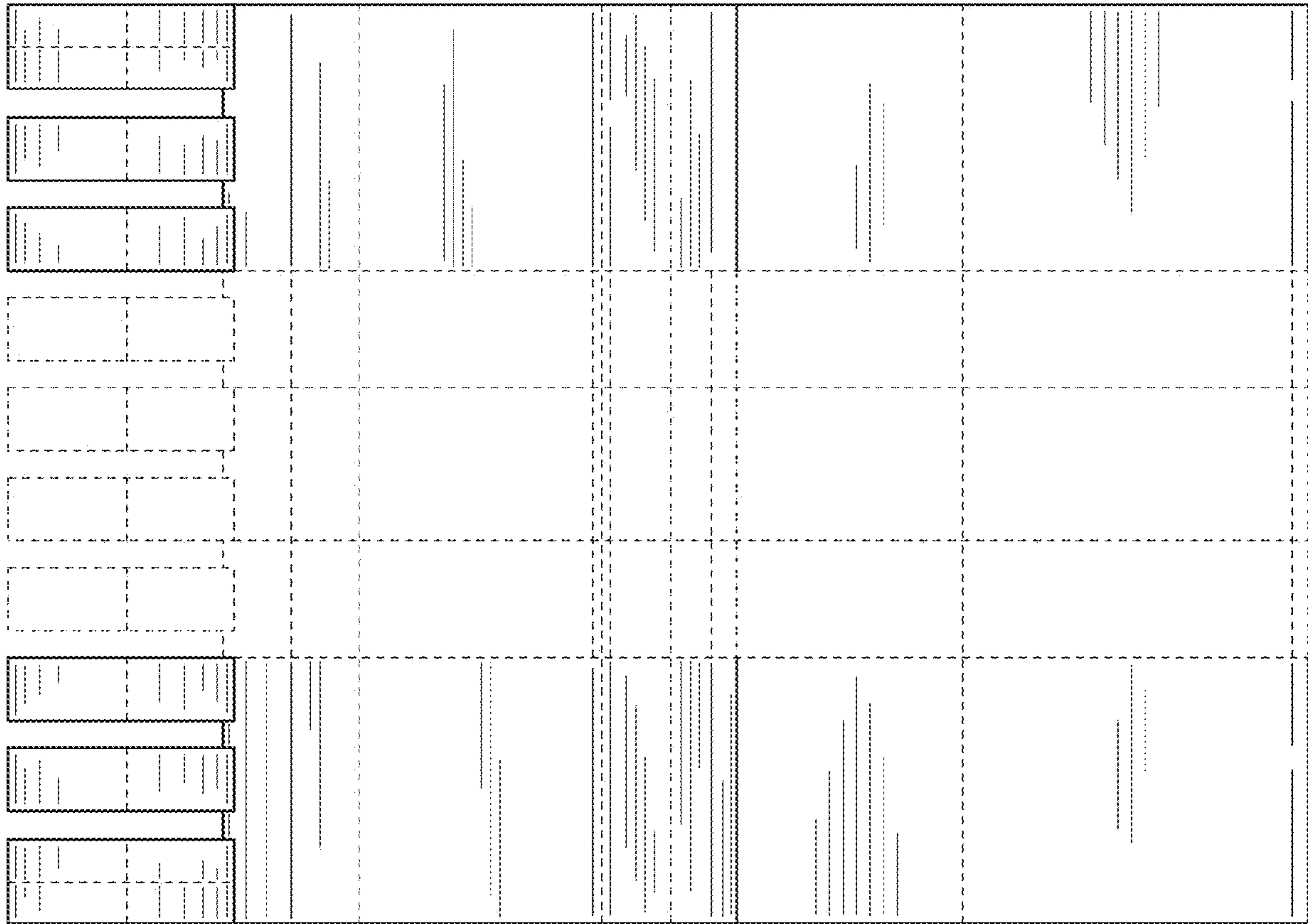


FIG. 6

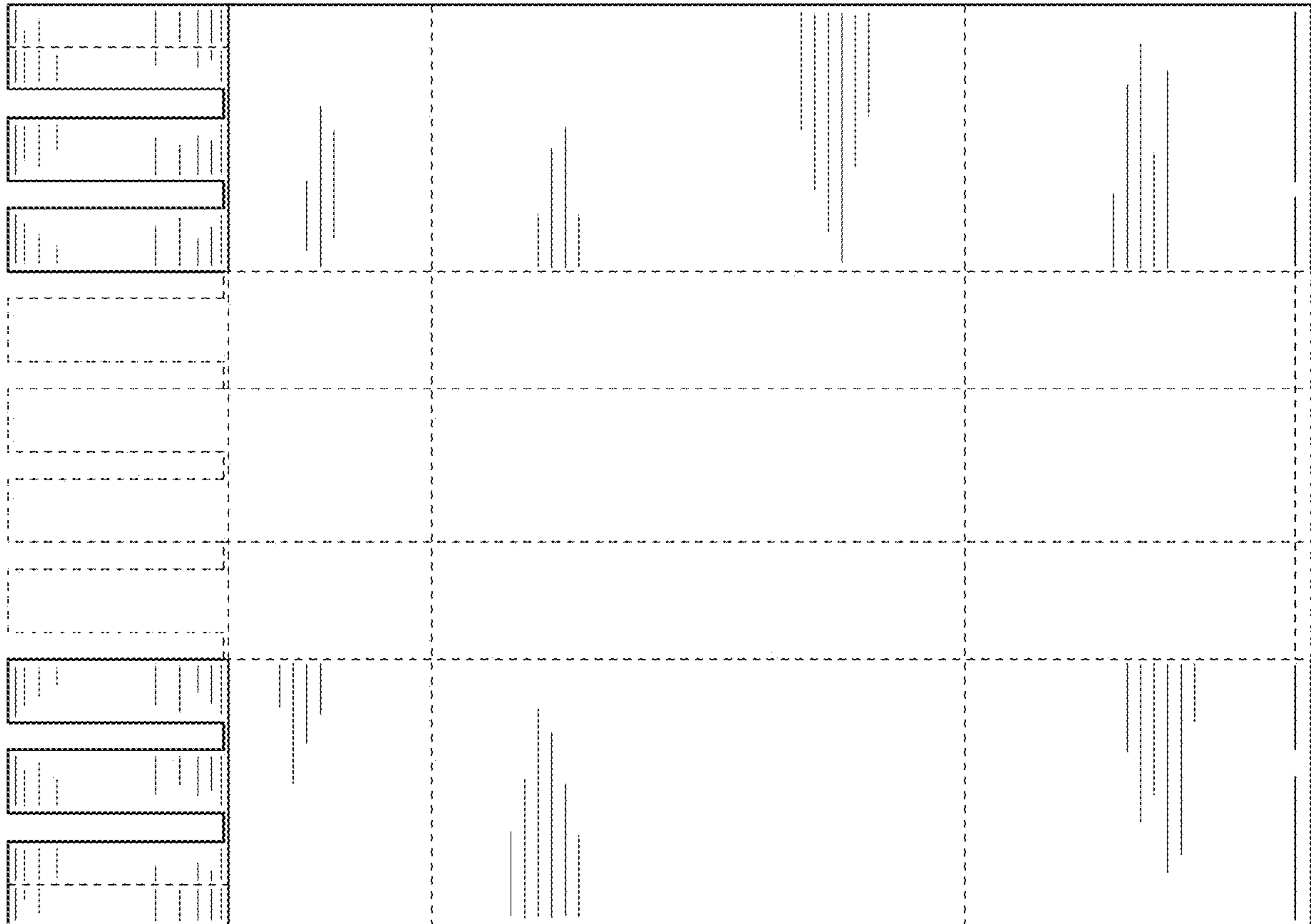


FIG. 7