



US00D901284S

(12) **United States Design Patent** (10) **Patent No.:** **US D901,284 S**
Chorley (45) **Date of Patent:** **** Nov. 10, 2020**

(54) **CLAMP**
(71) Applicant: **Doughty Engineering Group,**
Ringwood (GB)
(72) Inventor: **Mark Chorley,** Christchurch (GB)
(73) Assignee: **Doughty Engineering Group,**
Ringwood (GB)

D702,100 S * 4/2014 Larard D8/72
D726,985 S * 4/2015 Gundogan D34/23
D733,267 S * 6/2015 McCarter D23/265
D740,920 S * 10/2015 Nakamura D23/259
D754,531 S * 4/2016 Weldon D8/396
D758,177 S * 6/2016 Riccione D8/396
D763,069 S * 8/2016 Lee D8/396
D767,983 S * 10/2016 Jiang D8/394

(Continued)

(**) Term: **15 Years**
(21) Appl. No.: **29/624,823**
(22) Filed: **Nov. 3, 2017**

FOREIGN PATENT DOCUMENTS

CN 301543744 * 5/2011
CN 303868509 * 9/2016
KR 30064145.0000 * 7/2011

(30) **Foreign Application Priority Data**

May 18, 2017 (EM) 004008159-0001

(51) **LOC (12) Cl.** **08-08**
(52) **U.S. Cl.**
USPC **D8/394**

(58) **Field of Classification Search**
USPC D8/394-396, 71-72, 79, 367;
D23/259-265; D6/217; D13/102
CPC H01L 31/042; A47H 1/00; A47H 1/16;
F41C 33/00; F41C 33/02; A45C 13/10
See application file for complete search history.

(56) **References Cited**

U.S. PATENT DOCUMENTS

D140,716 S * 4/1945 Phillips D23/264
D140,862 S * 4/1945 Conlan D13/161
5,234,325 A * 8/1993 Hill B29C 73/025
156/94
D355,114 S * 2/1995 Wizman D8/71
D387,073 S * 12/1997 Mori D15/140
D393,417 S * 4/1998 Glickman D8/382
D461,710 S * 8/2002 Heltzer D8/354
D535,291 S * 1/2007 Chiang D14/230
D538,143 S * 3/2007 Pu D8/394
D556,530 S * 12/2007 Workman D8/72
D668,522 S * 10/2012 Henderson D8/73

OTHER PUBLICATIONS

Space Saver Clamp, Doughty Engineering website 2019, http://www.doughty-usa.com/cgi-bin/trolleyed_public.cgi?action=showprod_T85850, site visited Mar. 28, 2019.*

Primary Examiner — John R Yeh
(74) *Attorney, Agent, or Firm* — Shumaker & Sieffert,
P.A.

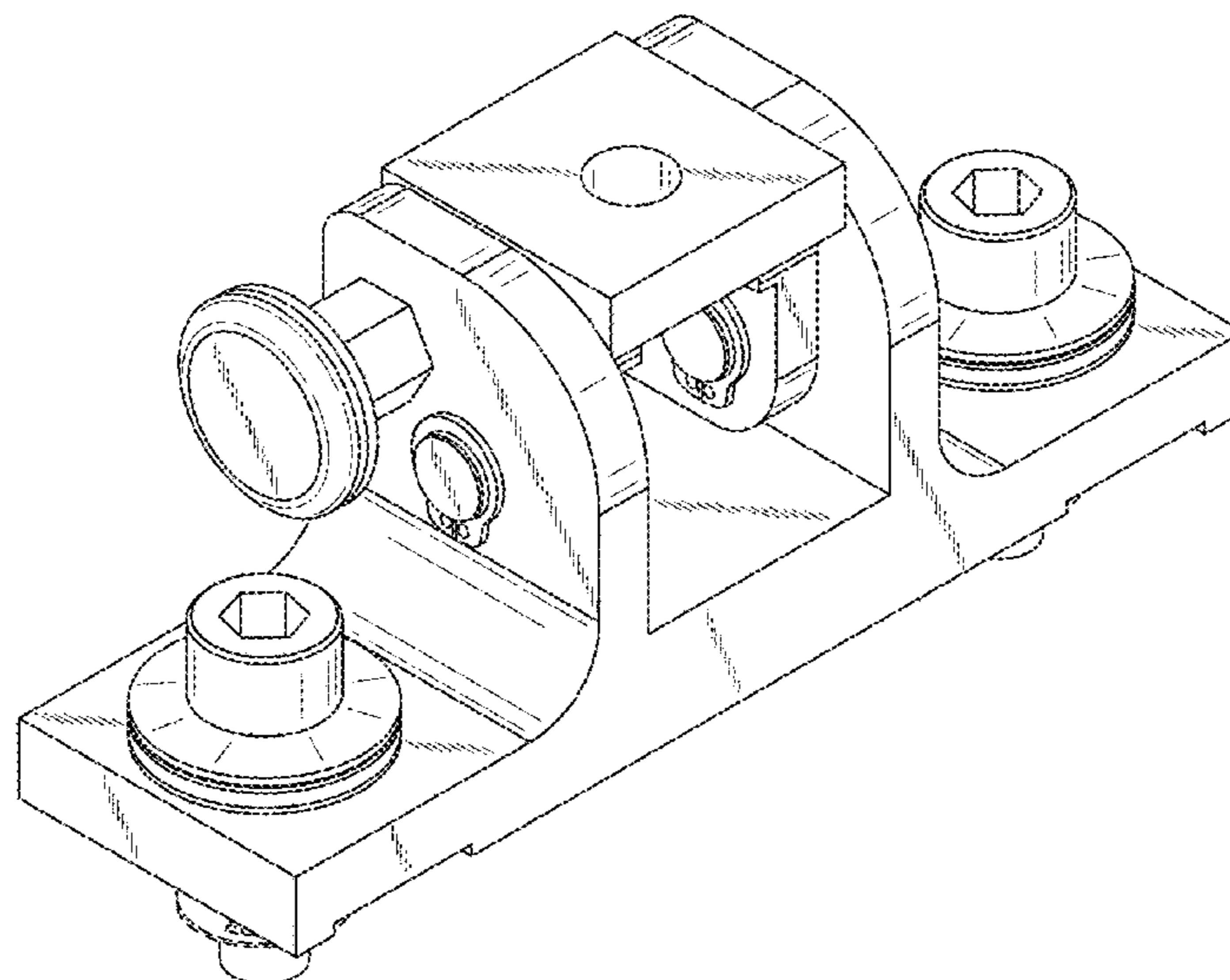
(57) **CLAIM**

The ornamental design for a clamp, as shown and described.

DESCRIPTION

FIG. 1 is a perspective view of the clamp showing my new design;
FIG. 2 is a front view thereof;
FIG. 3 is a rear view thereof;
FIG. 4 is a right side view thereof;
FIG. 5 is a left side view thereof;
FIG. 6 is a top view thereof;
FIG. 7 is a bottom view thereof; and,
FIG. 8 is an exploded perspective view thereof.
The broken lines in the figures depict features of the clamp that form no part of the claimed design.

1 Claim, 6 Drawing Sheets



(56)

References Cited

U.S. PATENT DOCUMENTS

D782,928 S * 4/2017 Takakuwa D10/103
D785,432 S * 5/2017 Ju D8/74
D841,277 S * 2/2019 Chintalapalli Patta D34/35

* cited by examiner

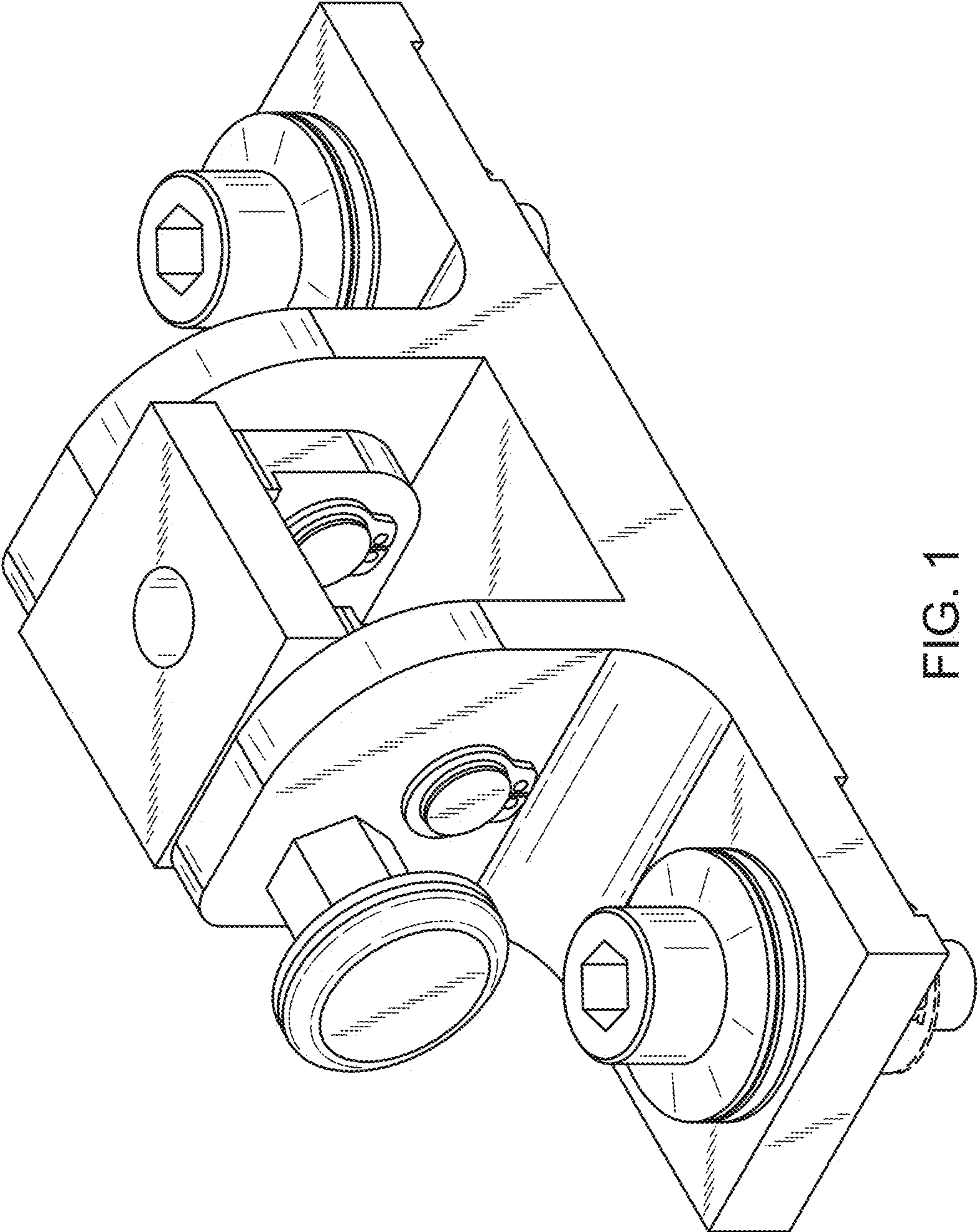


FIG. 1

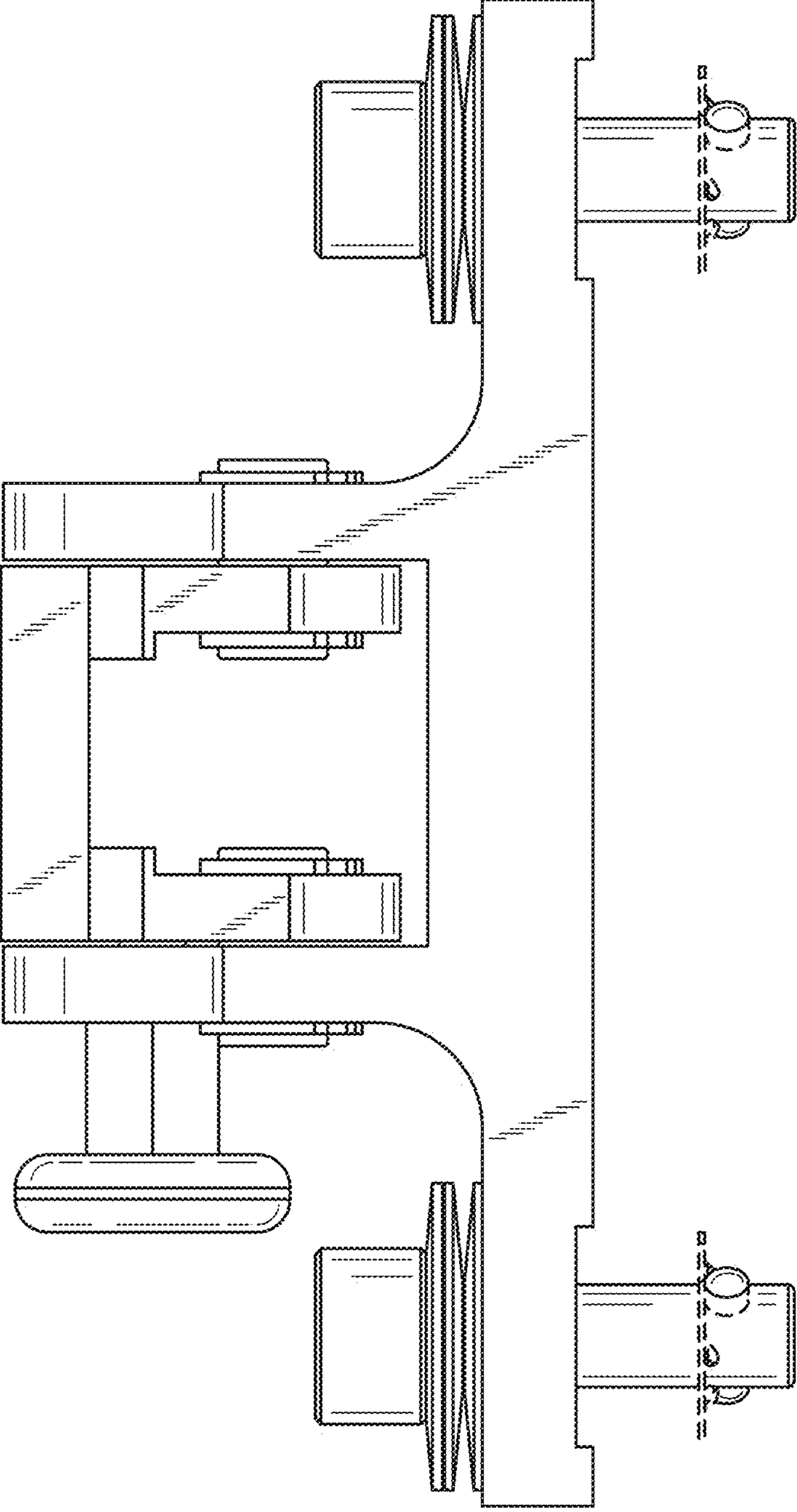


FIG. 2

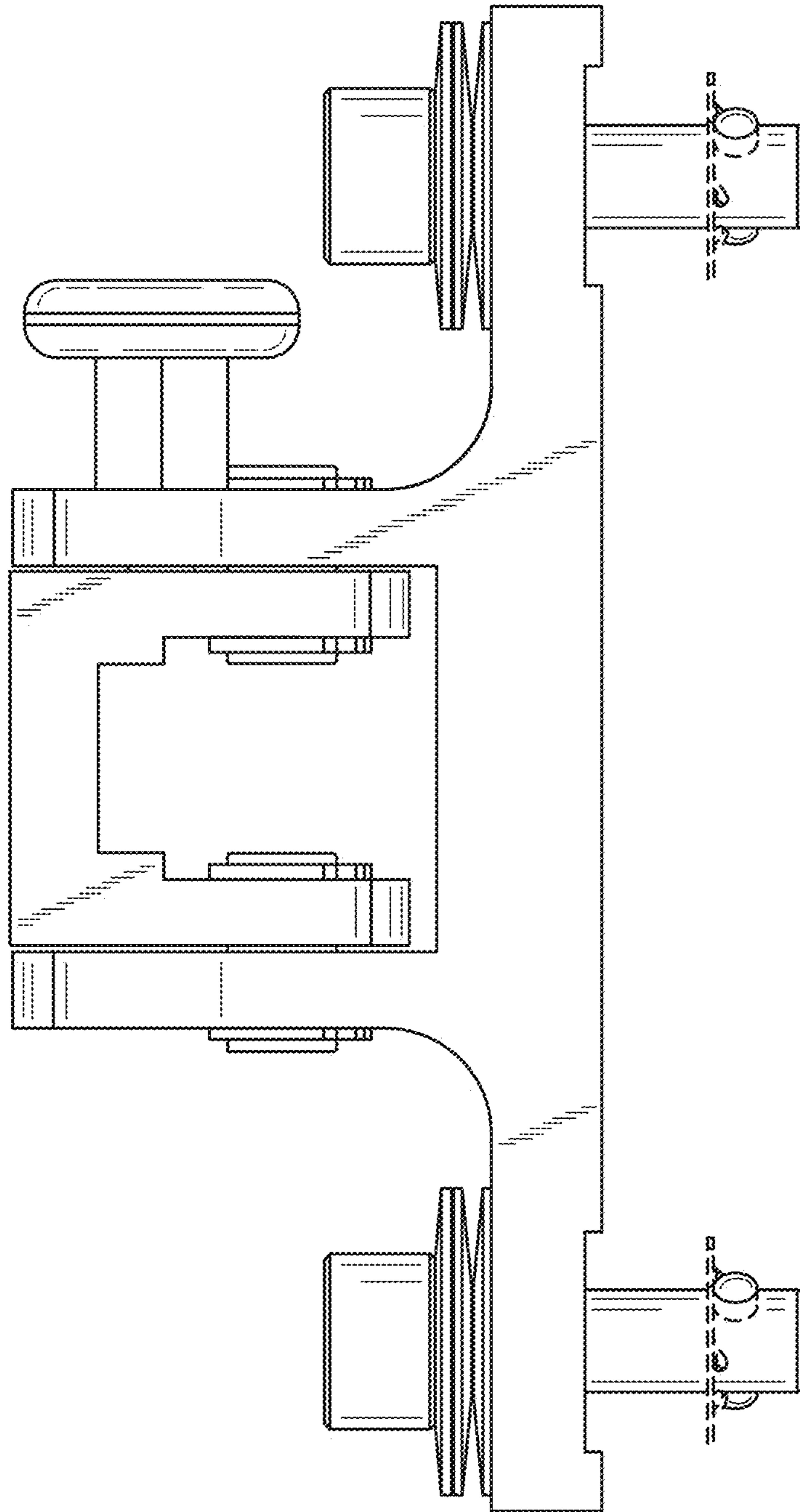


FIG. 3

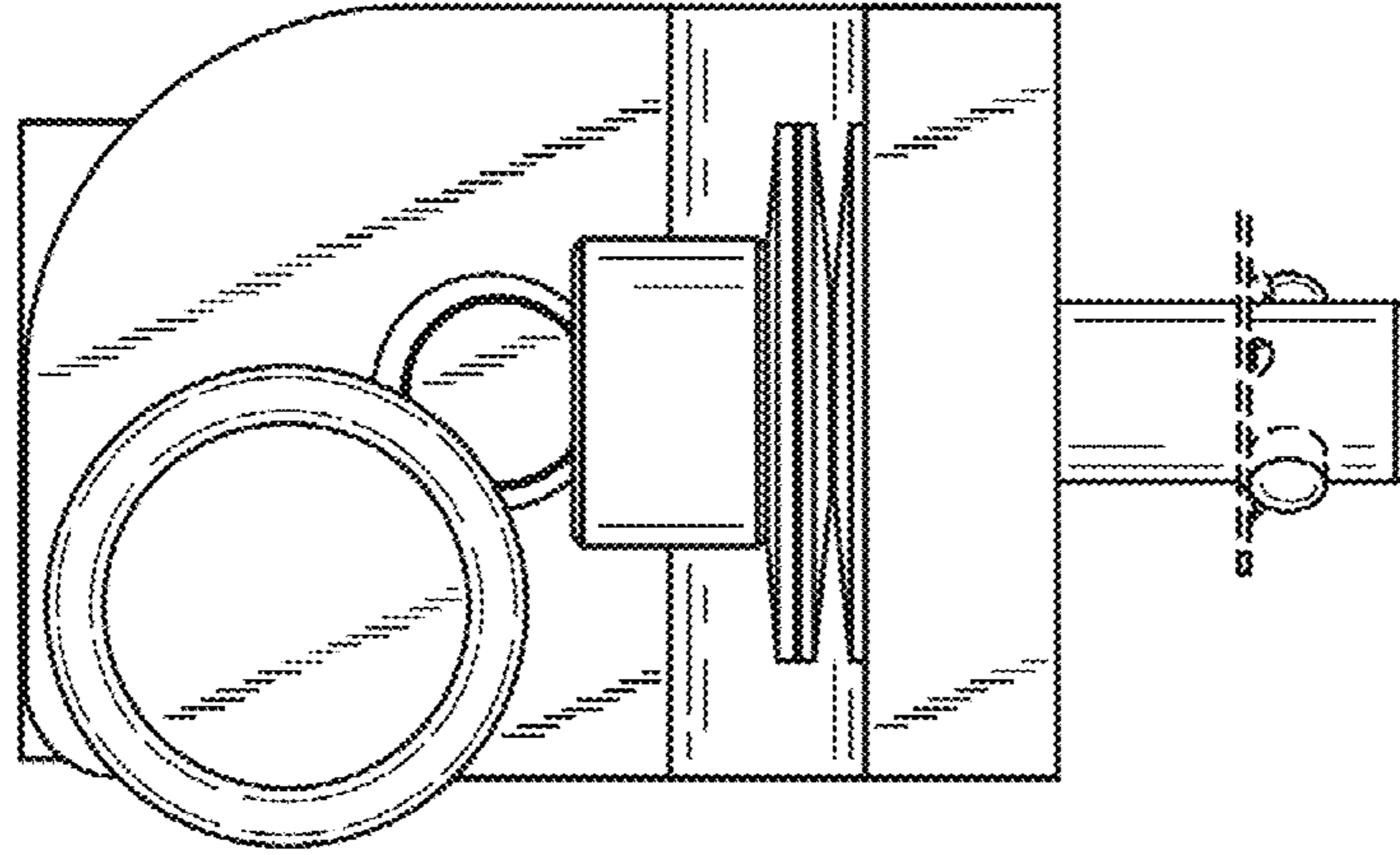


FIG. 5

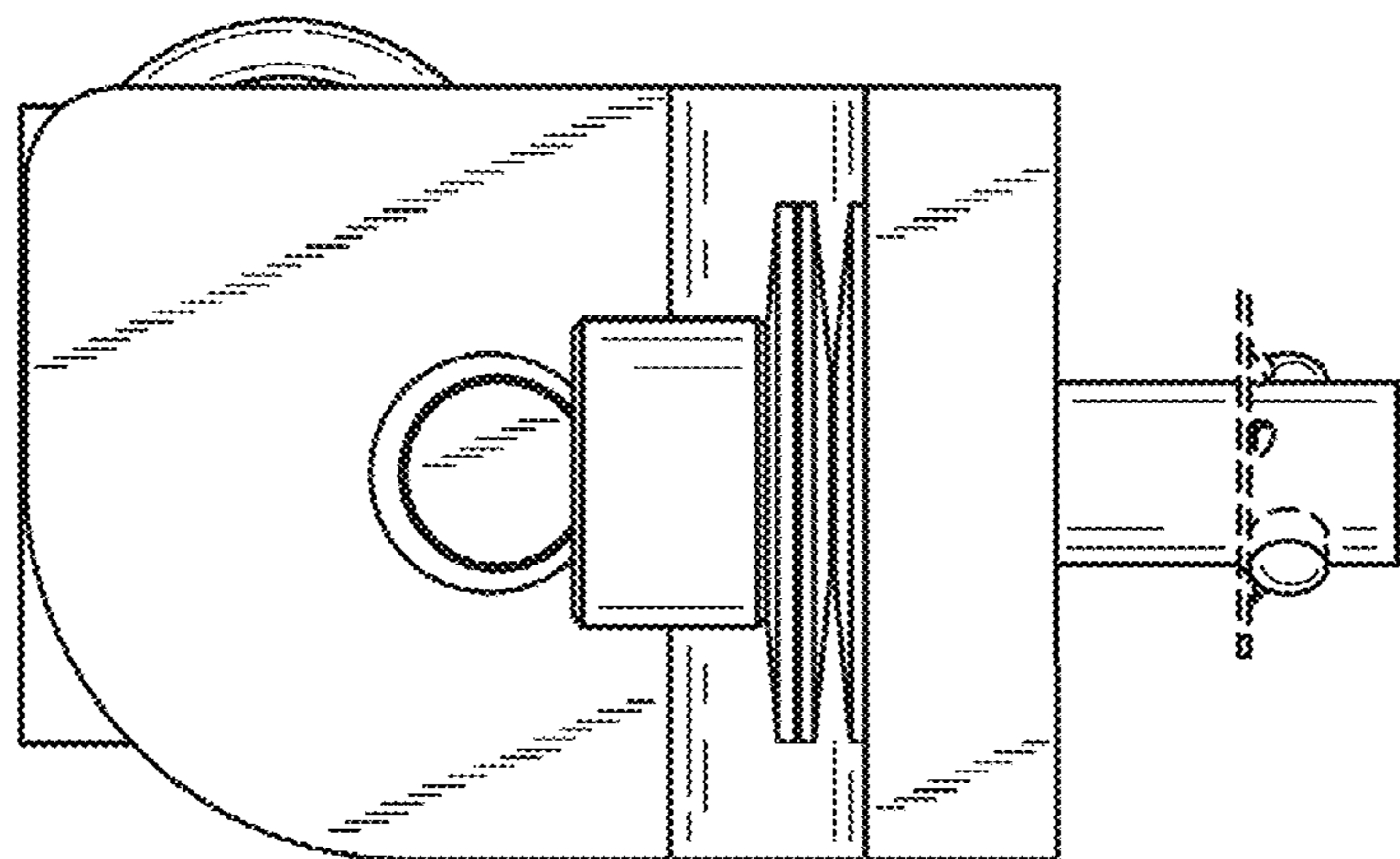


FIG. 4

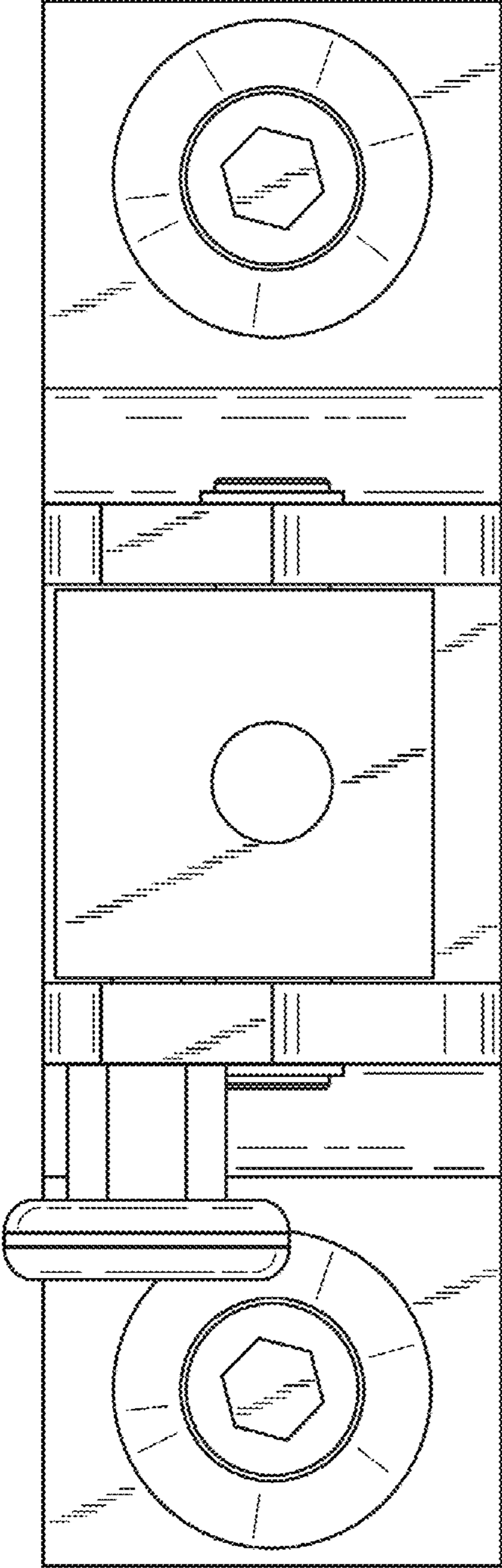


FIG. 6

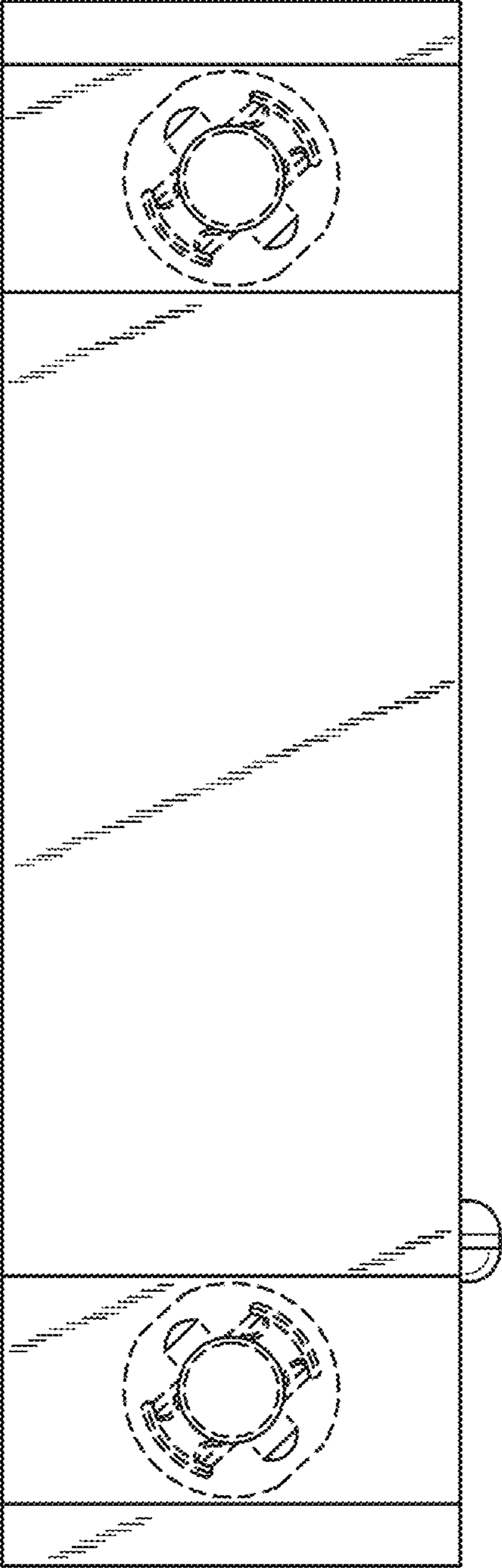


FIG. 7

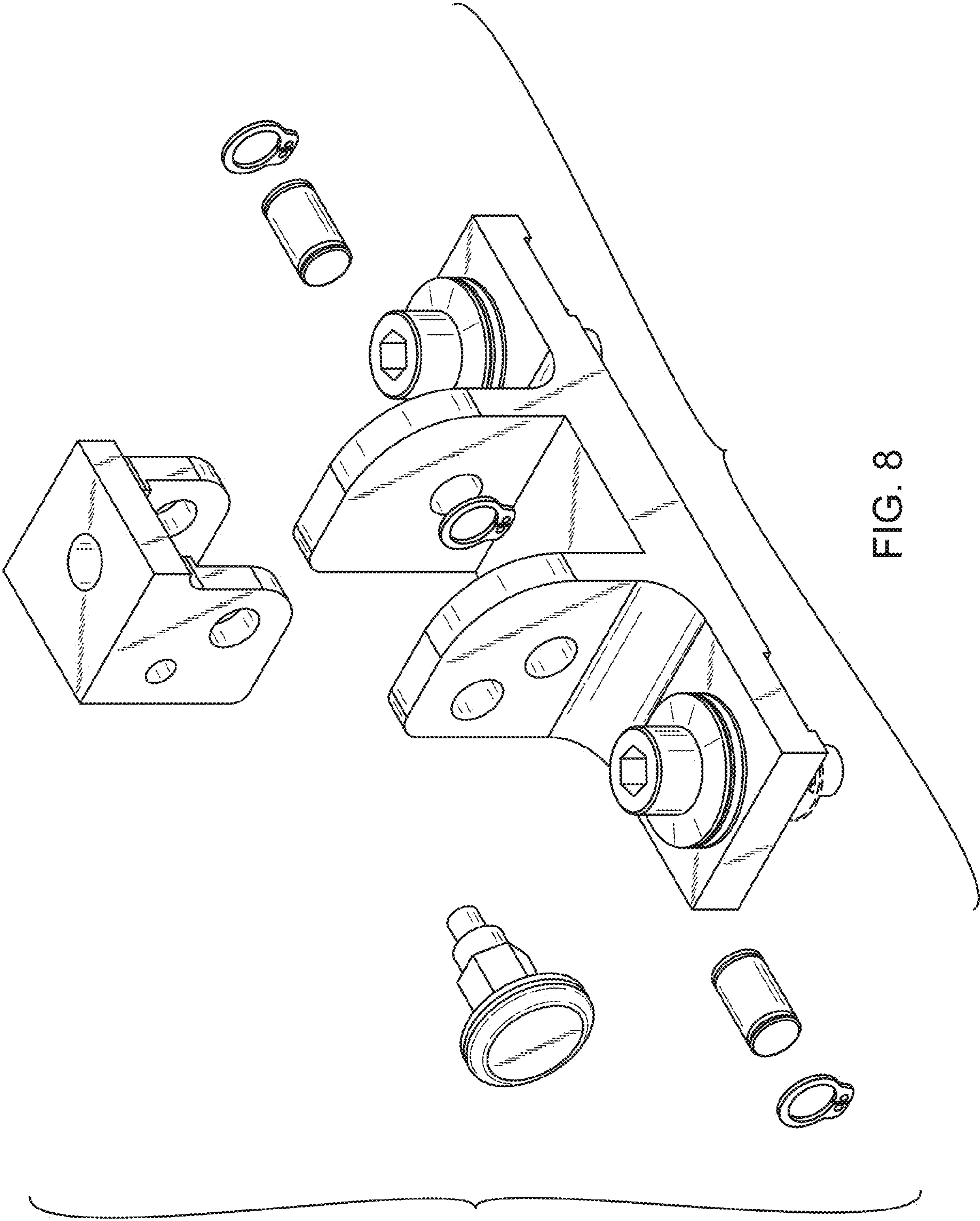


FIG. 8