



US00D901283S

(12) **United States Design Patent**
Chen

(10) **Patent No.:** **US D901,283 S**

(45) **Date of Patent:** **** Nov. 10, 2020**

(54) **CHAIR CASTER WHEEL**

(71) Applicant: **Dongping Chen**, Foshan (CN)

(72) Inventor: **Dongping Chen**, Foshan (CN)

(**) Term: **15 Years**

(21) Appl. No.: **29/740,517**

(22) Filed: **Jul. 6, 2020**

(51) **LOC (12) Cl.** **08-05**

(52) **U.S. Cl.**
USPC **D8/375**

(58) **Field of Classification Search**
USPC D8/375; D6/716, 366
CPC Y10T 16/18; Y10T 16/184; Y10T 16/1853
See application file for complete search history.

(56) **References Cited**

U.S. PATENT DOCUMENTS

D240,399 S *	7/1976	Crescenzi et al.	D8/375
5,303,450 A *	4/1994	Lange	B60B 33/021 16/35 D
D465,725 S *	11/2002	Holbrook	D8/375
7,182,178 B2 *	2/2007	Chung	B60B 33/0018 188/1.12
D556,553 S *	12/2007	Tamara	D8/375
D556,554 S *	12/2007	Tamara	D8/375
D556,555 S *	12/2007	Tamara	D8/375
D556,556 S *	12/2007	Tamara	D8/375
D558,035 S *	12/2007	Egger	D8/375
D561,014 S *	2/2008	Brodbeck	D8/375
D650,658 S	12/2011	Magill et al.	
D653,526 S *	2/2012	Melara	D8/375
D731,878 S *	6/2015	Lindsay	D8/375
D750,911 S *	3/2016	Su	D6/366

D766,605 S *	9/2016	Li	D6/366
D770,788 S *	11/2016	Bonneywell	D6/366
D773,200 S *	12/2016	Hailong	D6/366
D778,146 S *	2/2017	Kausemann	D8/375
D785,353 S *	5/2017	Zhou	D6/366
D792,198 S	7/2017	Cmich et al.	
D799,842 S *	10/2017	Lee	D6/366
D833,164 S *	11/2018	Yang	D6/366
D838,505 S *	1/2019	Ngo	D6/366
D883,693 S *	5/2020	Bellini	D6/366
D886,480 S *	6/2020	Feng	D6/366
D893,909 S *	8/2020	Zhong	D6/366
2015/0258850 A1 *	9/2015	Schioppa	B60B 33/025 16/35 R
2020/0207148 A1 *	7/2020	Yang	B60B 33/0068

* cited by examiner

Primary Examiner — Deanna L Pratt

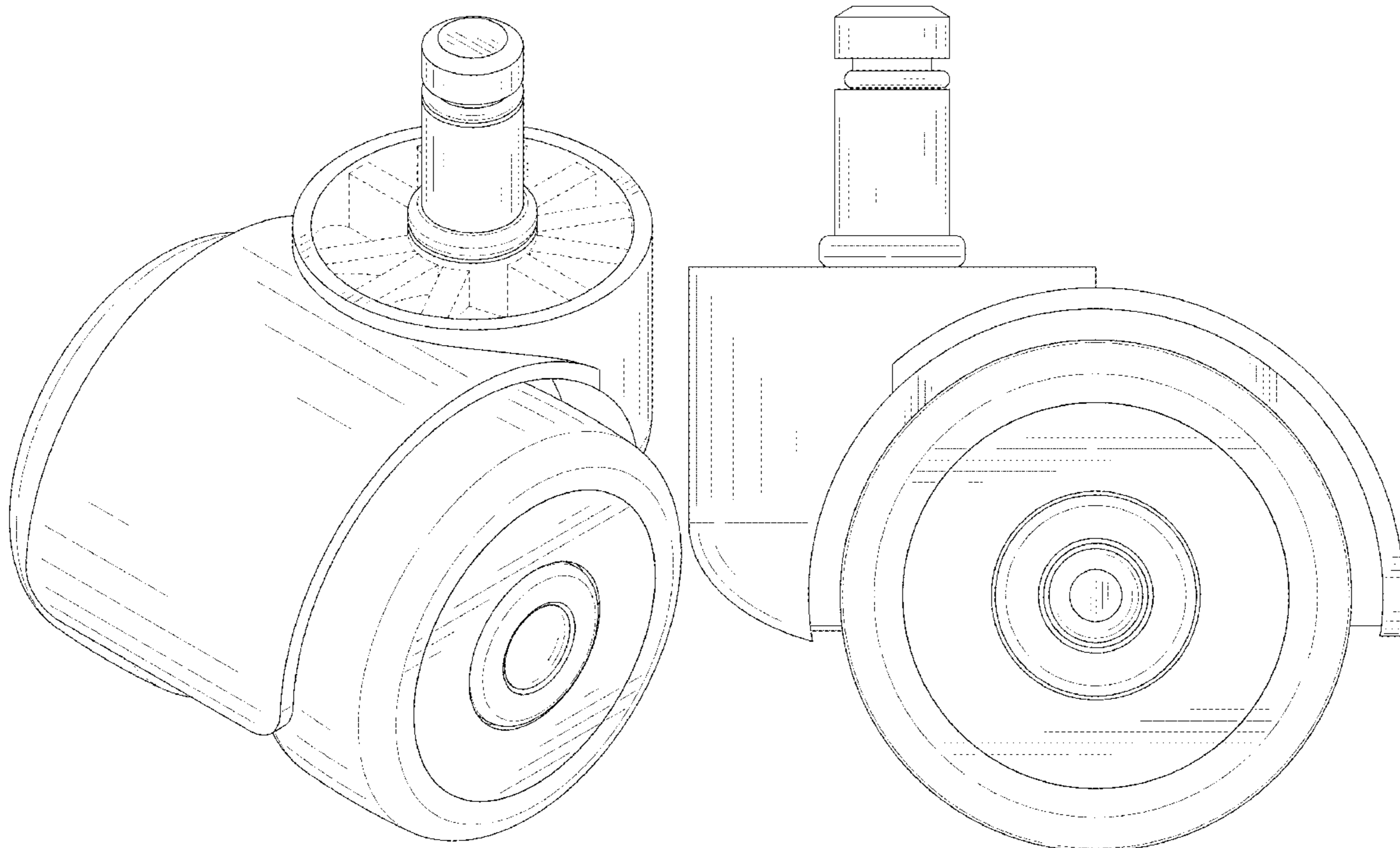
(57) **CLAIM**

The ornamental design for chair caster wheel, as shown and described.

DESCRIPTION

FIG. 1 is a perspective view of chair caster wheel showing my new design;
 FIG. 2 is another perspective view thereof;
 FIG. 3 is a front elevational view thereof;
 FIG. 4 is a rear elevational view thereof;
 FIG. 5 is a left side elevational view thereof;
 FIG. 6 is a right side elevational view thereof;
 FIG. 7 is a top plan view thereof; and,
 FIG. 8 is a bottom plan view thereof.
 The broken lines in the drawings depict portions of the chair caster wheel that form no part of the claimed design.

1 Claim, 8 Drawing Sheets



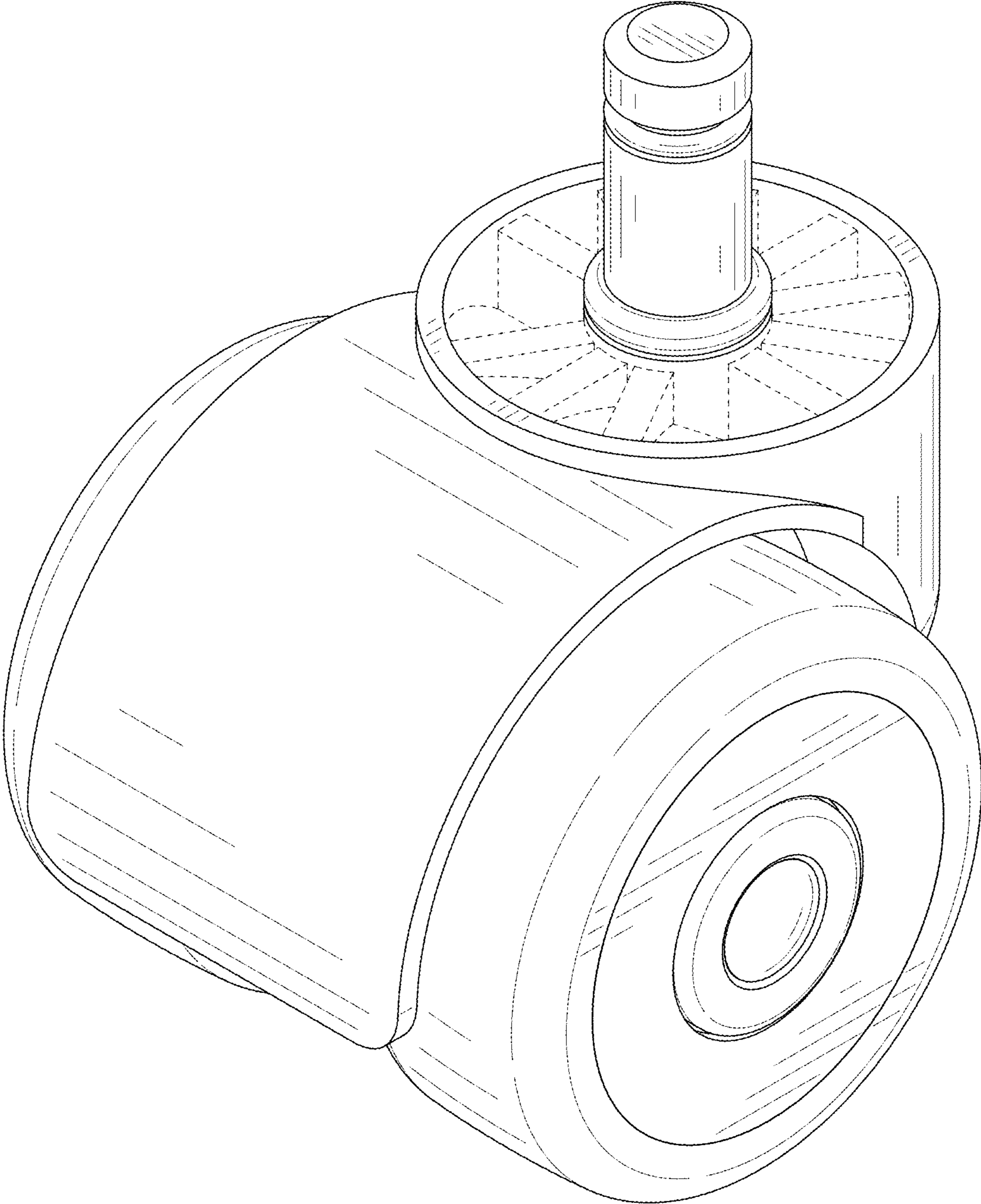


FIG. 1

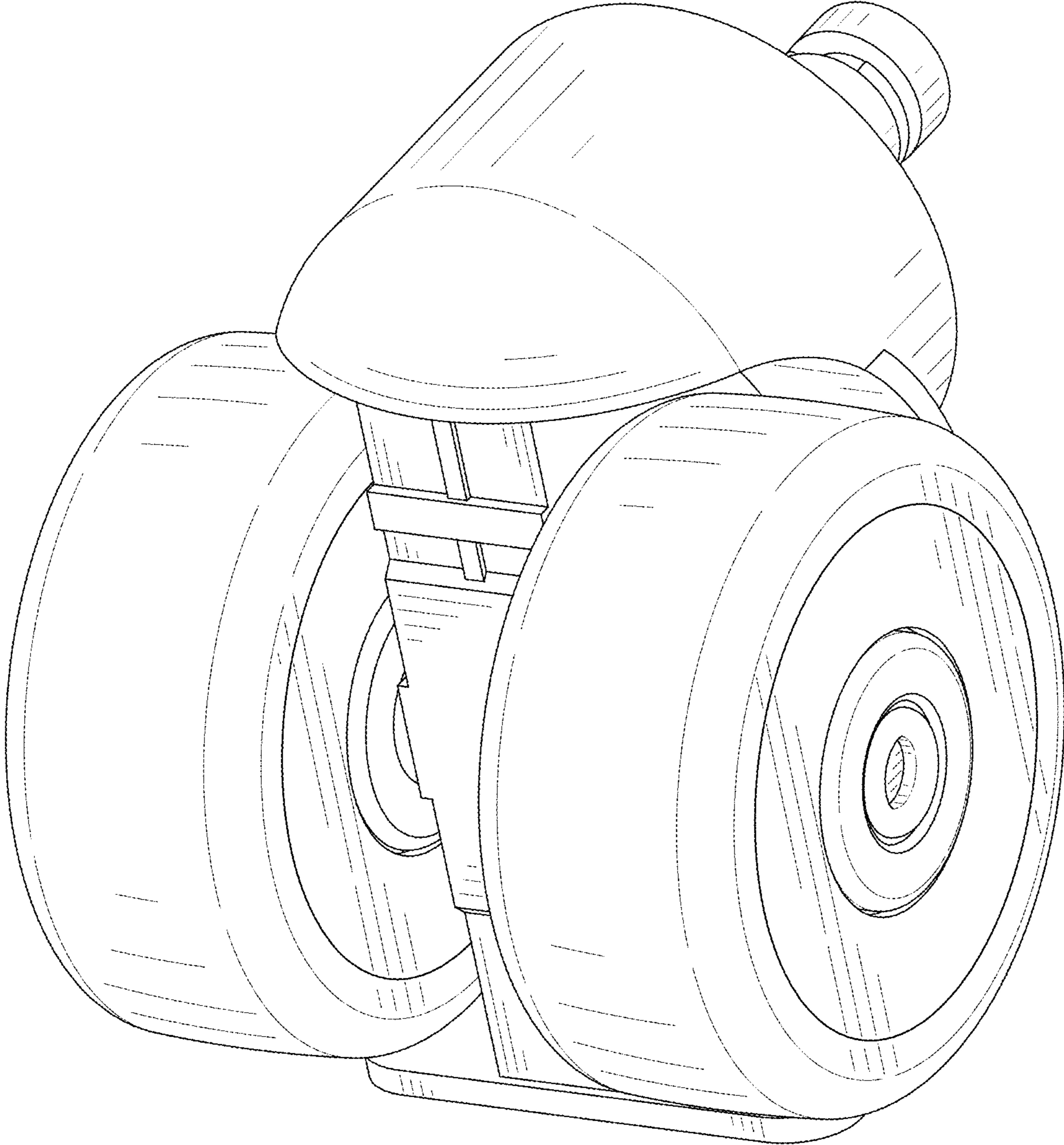


FIG. 2

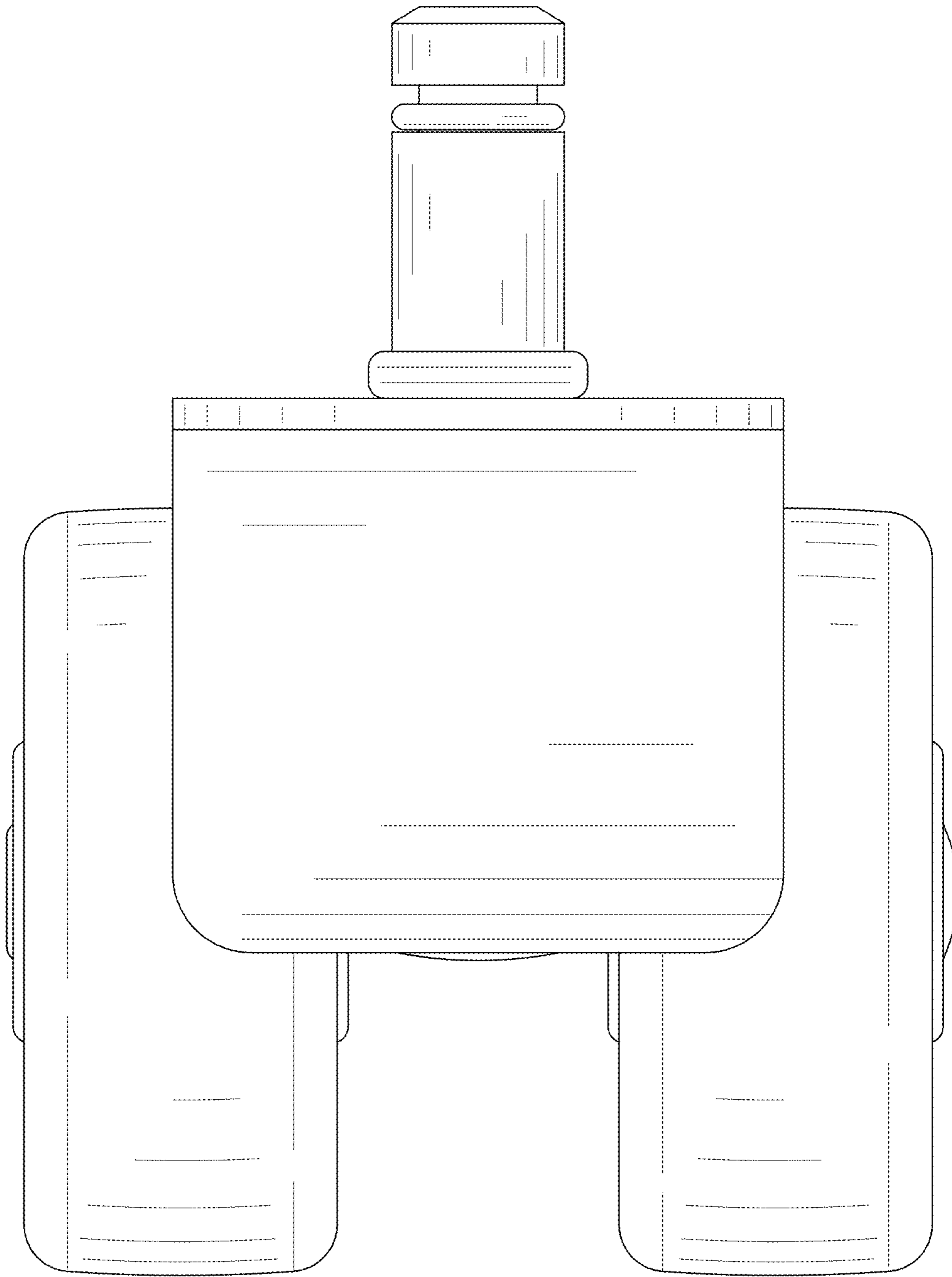


FIG. 3

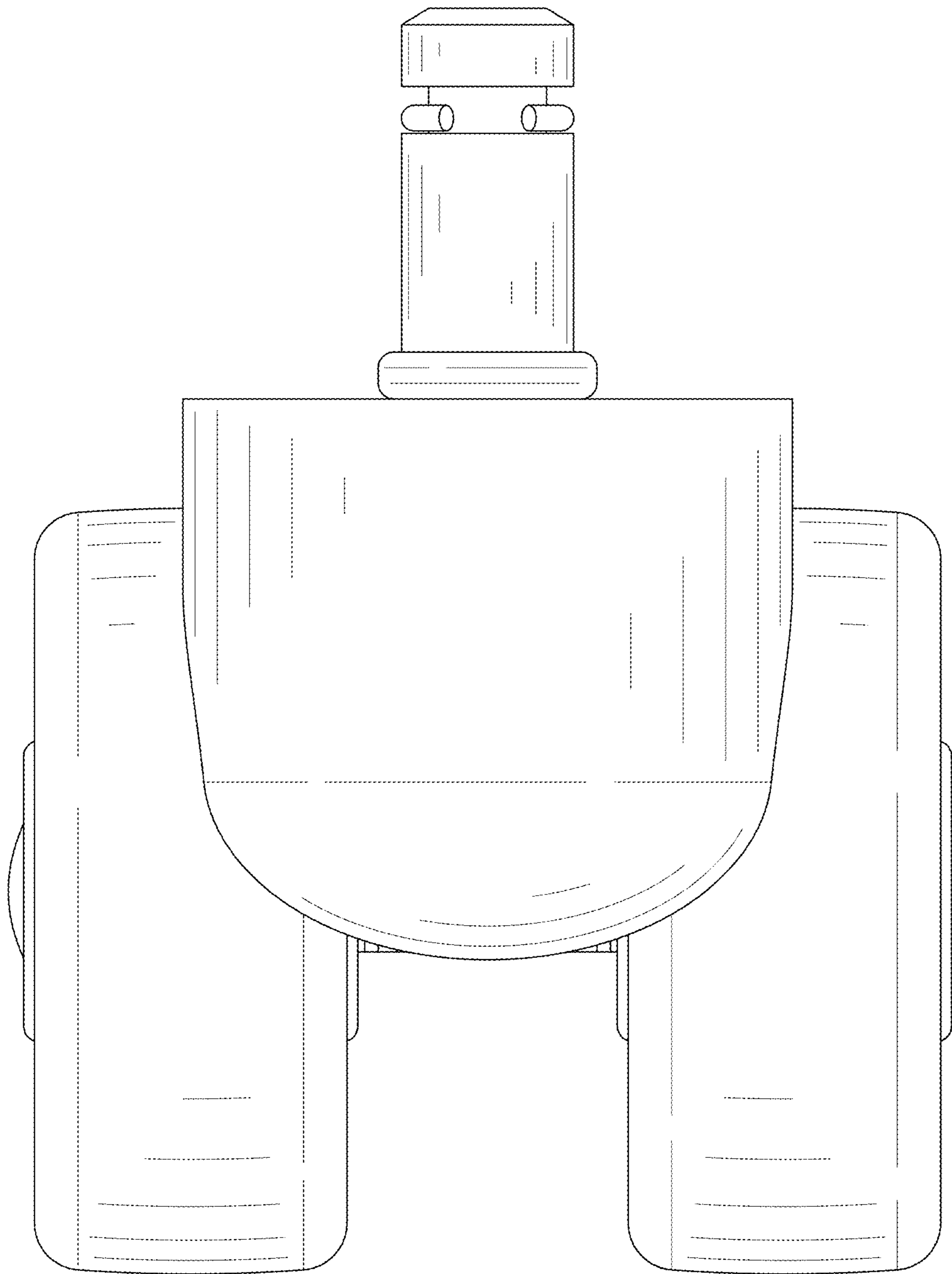


FIG. 4

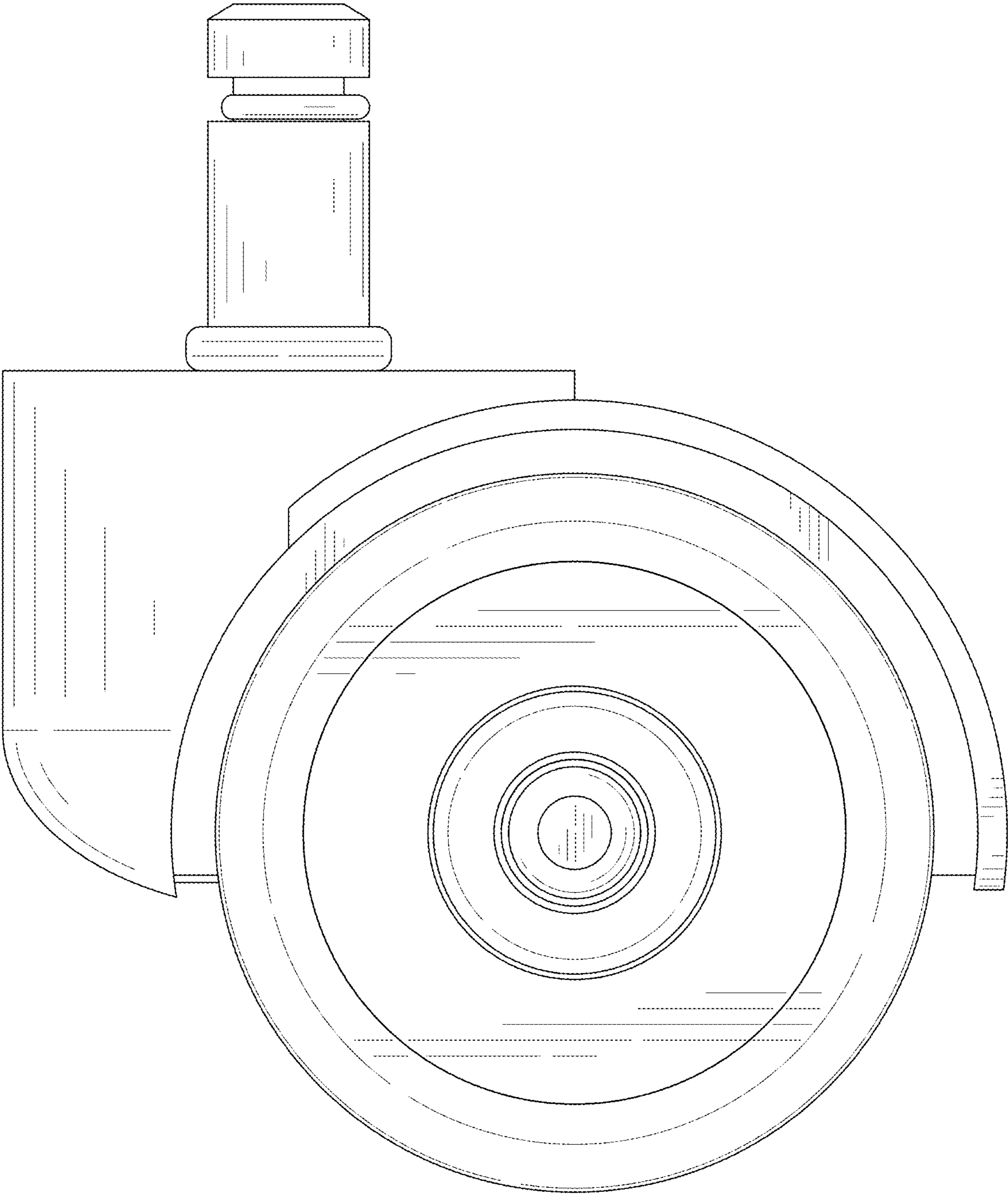


FIG. 5

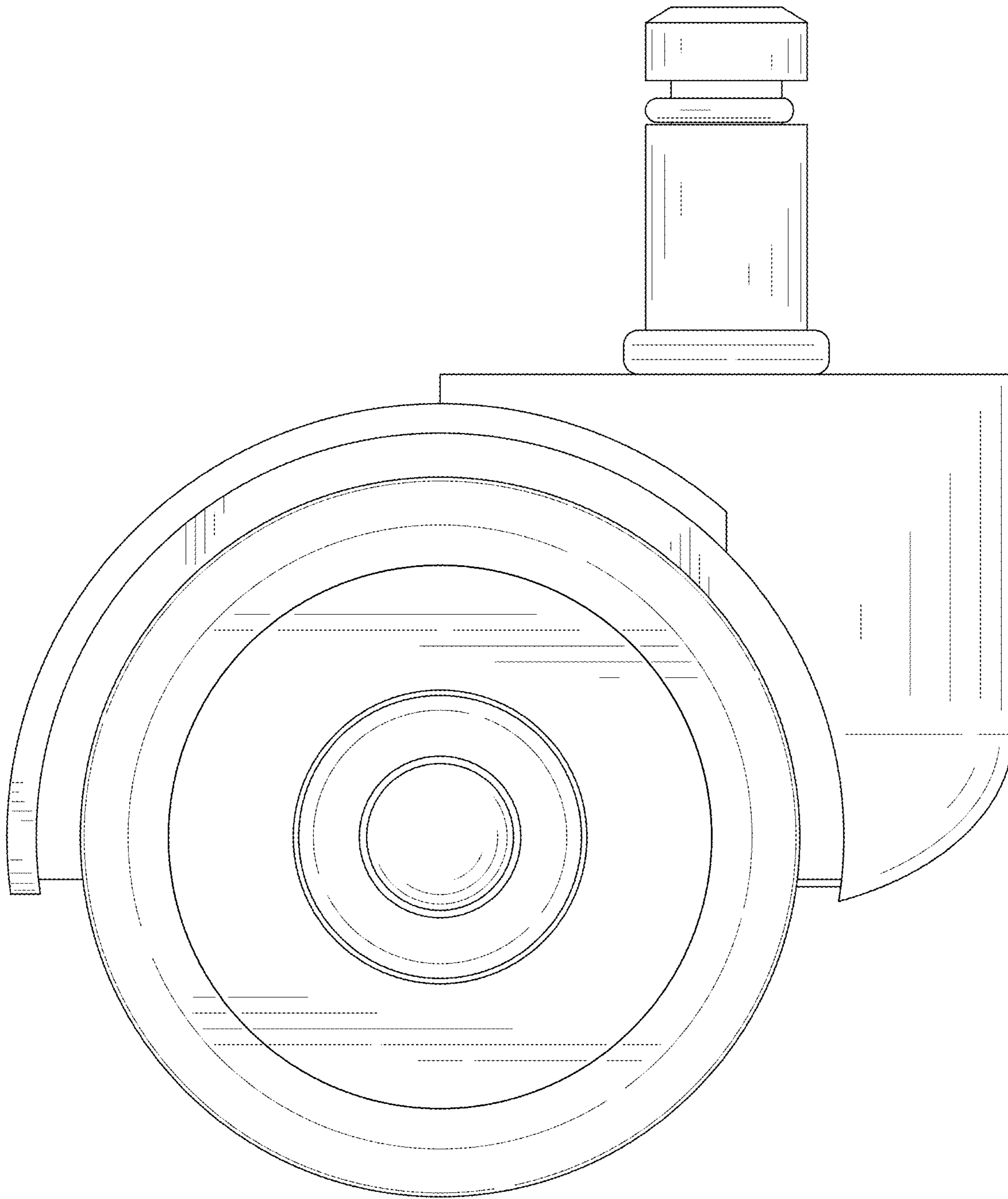


FIG. 6

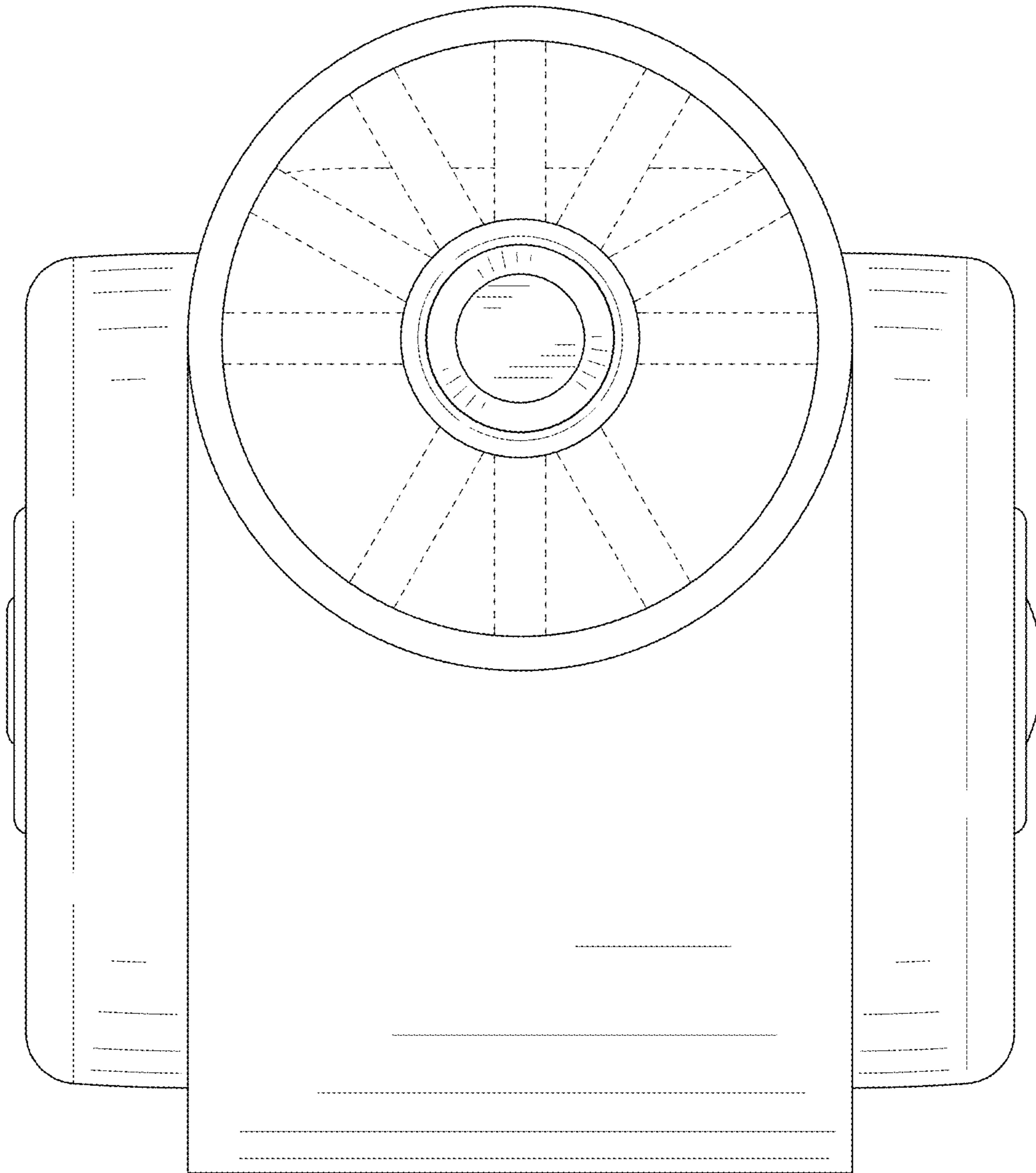


FIG. 7

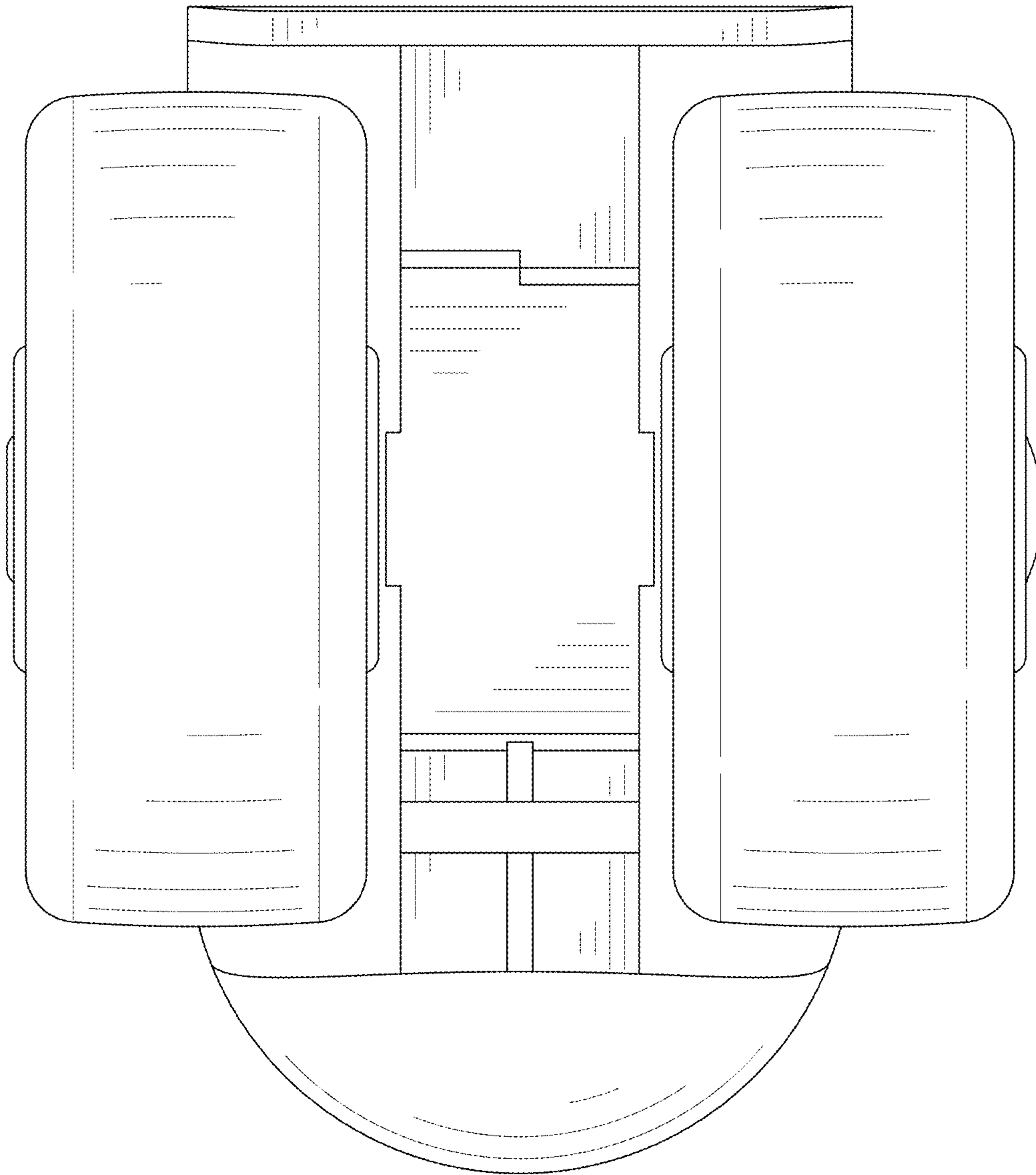


FIG. 8