



US00D901282S

(12) **United States Design Patent** (10) **Patent No.:** **US D901,282 S**
Miller et al. (45) **Date of Patent:** **** Nov. 10, 2020**

(54) **PLATE ASSEMBLY**
(71) Applicants: **Dale Clayton Miller**, Youngsville, NC
(US); **Julian Young**, Medford, OR (US)
(72) Inventors: **Dale Clayton Miller**, Youngsville, NC
(US); **Julian Young**, Medford, OR (US)
(**) Term: **15 Years**
(21) Appl. No.: **29/706,951**
(22) Filed: **Sep. 25, 2019**
(51) **LOC (12) Cl.** **08-05**
(52) **U.S. Cl.**
USPC **D8/354**; D25/199
(58) **Field of Classification Search**
USPC D8/349, 354, 382, 384, 385; D25/68,
D25/126, 127, 133, 134, 199
CPC E02D 27/42; E02D 5/80; E02D 31/002;
H01Q 1/1242; E04H 12/22; E04H 12/223
See application file for complete search history.

(56) **References Cited**
U.S. PATENT DOCUMENTS
2,964,145 A * 12/1960 Clatfelter E04H 12/223
52/158
3,591,113 A 7/1971 Foster, Jr.
3,775,918 A 12/1973 Johnson
3,964,404 A * 6/1976 Mueller A47B 57/265
108/147.14
4,189,125 A 2/1980 Little
4,295,308 A 10/1981 Korfanta
4,402,166 A 9/1983 Wortham, Jr.
4,899,497 A 2/1990 Madl, Jr.
5,039,256 A 8/1991 Gagliano
5,065,975 A 11/1991 Giles
D335,435 S * 5/1993 Lawson D8/71
5,515,656 A * 5/1996 Mihalich B64F 1/12
248/156
D409,764 S * 5/1999 Laga D25/68

5,961,093 A 10/1999 Jones et al.
D423,686 S * 4/2000 Swain D25/68
D437,544 S * 2/2001 Oliver D8/354
D495,426 S * 8/2004 Yamaoka D25/62
7,610,733 B2 11/2009 Rizzotto
7,681,373 B2 3/2010 Kariakin
D622,868 S * 8/2010 Bajrami D25/35
D622,869 S * 8/2010 Bajrami D25/35
D666,473 S 9/2012 Despotellis
D666,474 S 9/2012 Despotellis
D666,895 S 9/2012 Despotellis
8,844,209 B1 9/2014 Oliver et al.
9,109,355 B1 8/2015 Strauch

(Continued)

FOREIGN PATENT DOCUMENTS

DE 823336 C 11/1952
DE 102009037175 A1 2/2011

(Continued)

Primary Examiner — Leanne Was-Englehart
(74) *Attorney, Agent, or Firm* — Withrow & Terranova

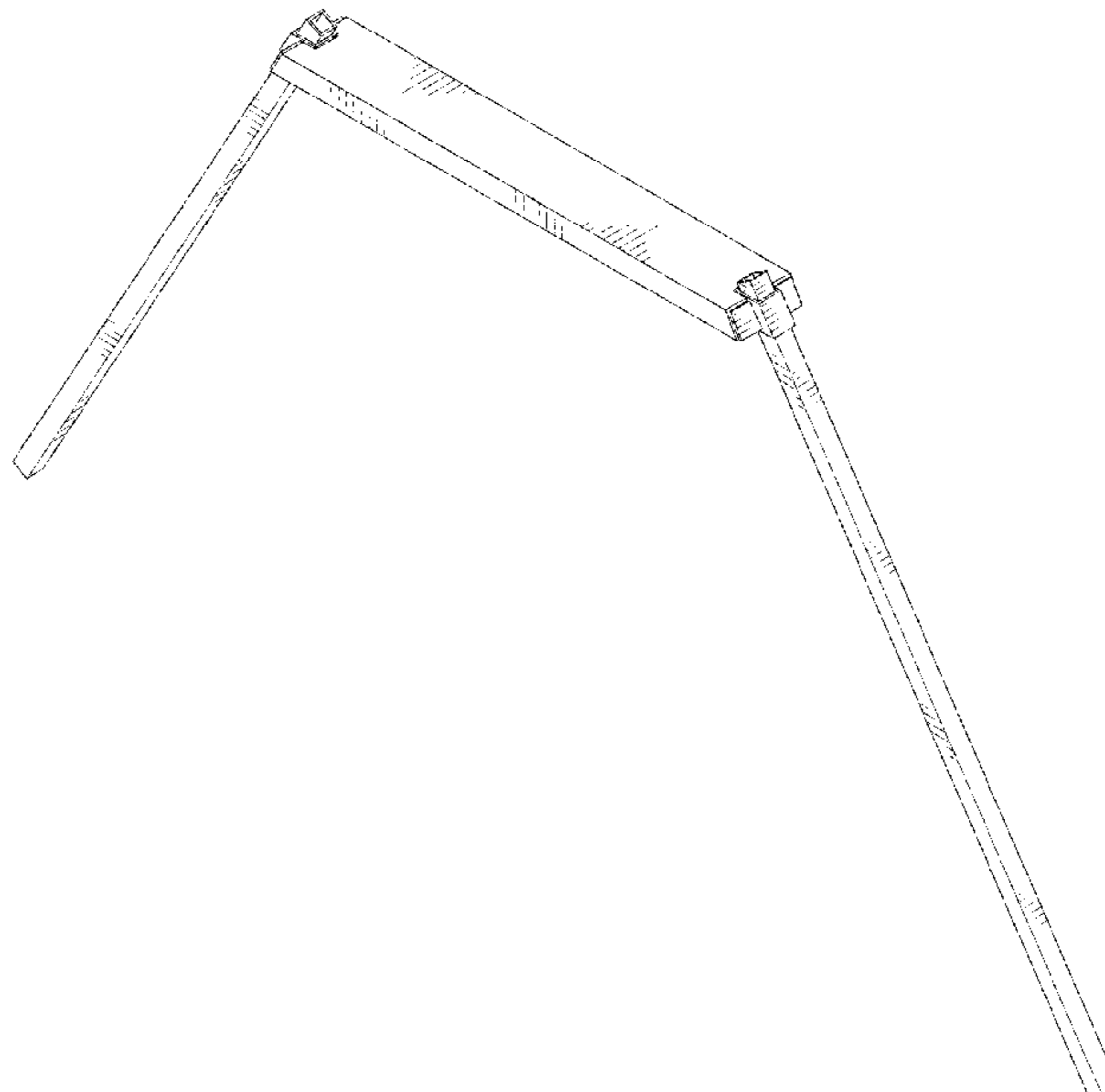
(57) **CLAIM**

The ornamental design for a plate assembly, as shown and described.

DESCRIPTION

FIG. 1 is a perspective view of a plate assembly;
FIG. 2 is a front view of the plate assembly of FIG. 1;
FIG. 3 is a back view of the plate assembly of FIG. 1;
FIG. 4 is a right side view of the plate assembly of FIG. 1;
FIG. 5 is a left side view of the plate assembly of FIG. 1;
FIG. 6 is a top view of the plate assembly of FIG. 1; and,
FIG. 7 is a bottom view of the plate assembly of FIG. 1.
The broken lines depict environment that forms no part of the claimed design.

1 Claim, 5 Drawing Sheets



(56)

References Cited

U.S. PATENT DOCUMENTS

D757,959 S * 5/2016 Aoi D25/68
9,850,638 B2 12/2017 Despotellis
10,526,758 B1 * 1/2020 Martin E01F 9/685
2007/0158526 A1 7/2007 Platt
2010/0307073 A1 12/2010 Oliver et al.
2014/0311083 A1 * 10/2014 Madril E04H 12/20
52/741.14
2015/0211200 A1 * 7/2015 Nishioka E02D 27/12
405/232
2017/0101760 A1 * 4/2017 Seay E02D 27/013
2018/0106010 A1 4/2018 Despotellis

FOREIGN PATENT DOCUMENTS

EP 2360331 A1 8/2011
FR 2829777 A1 3/2003

* cited by examiner

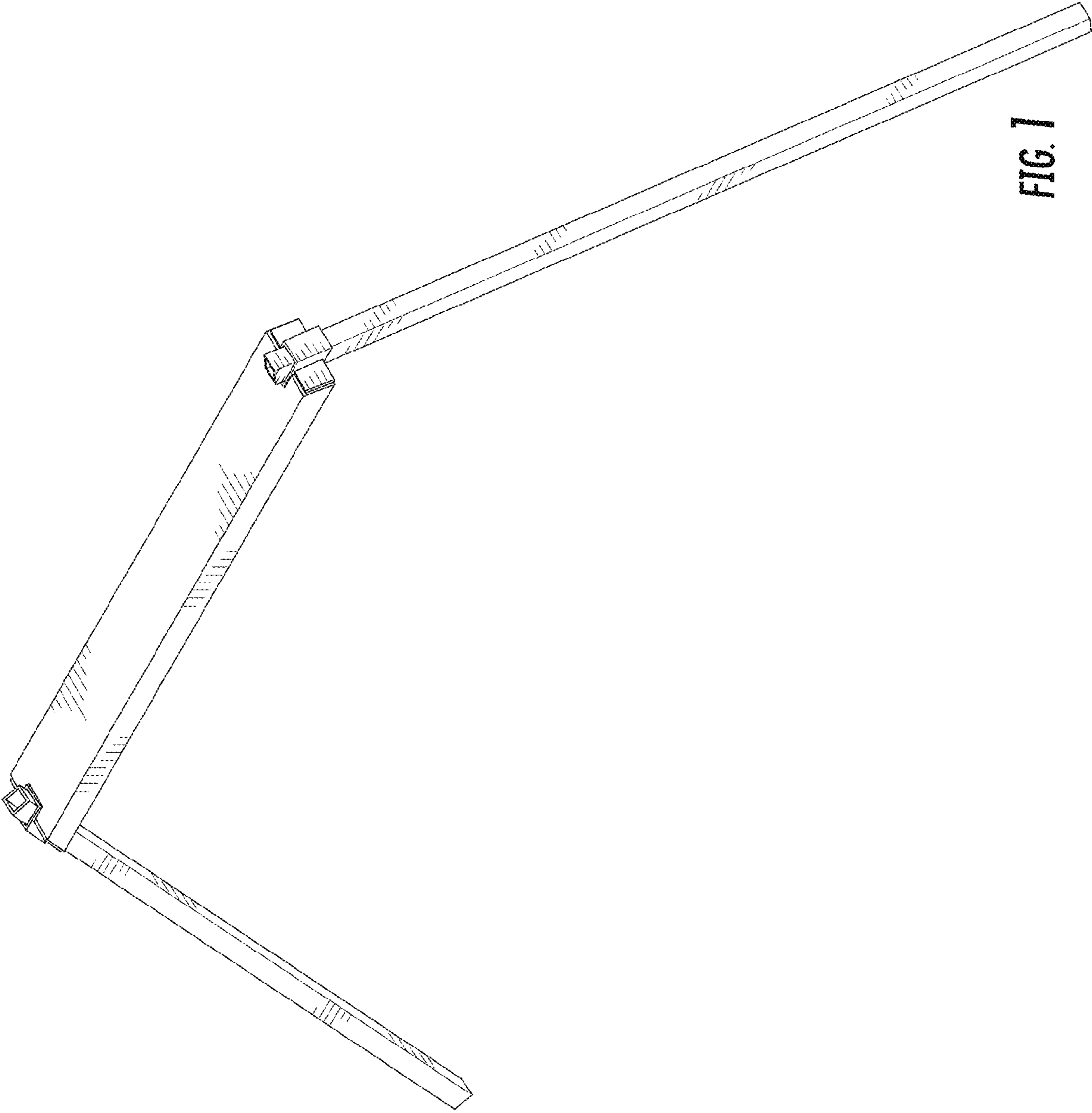


FIG. 1

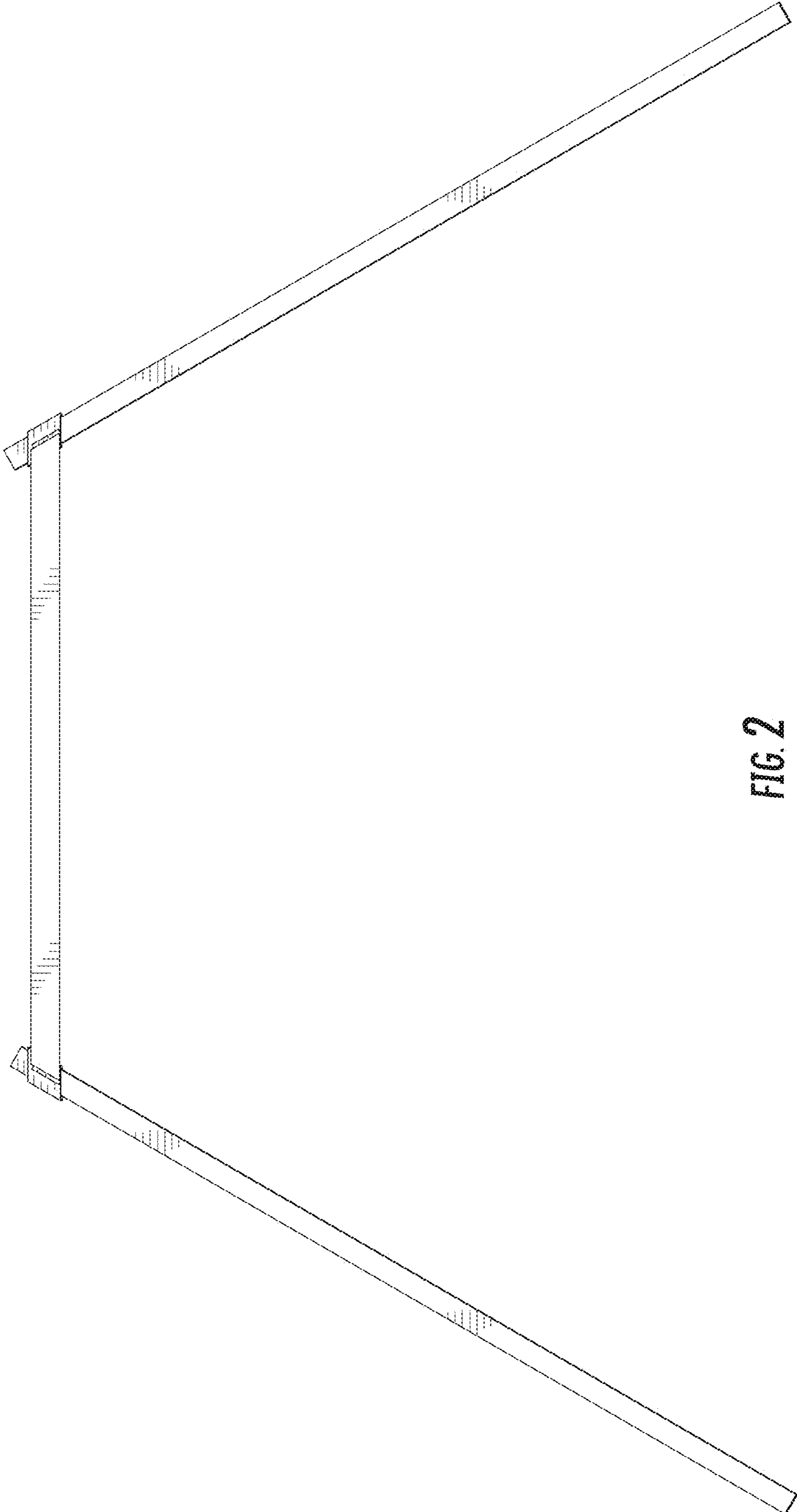


FIG. 2

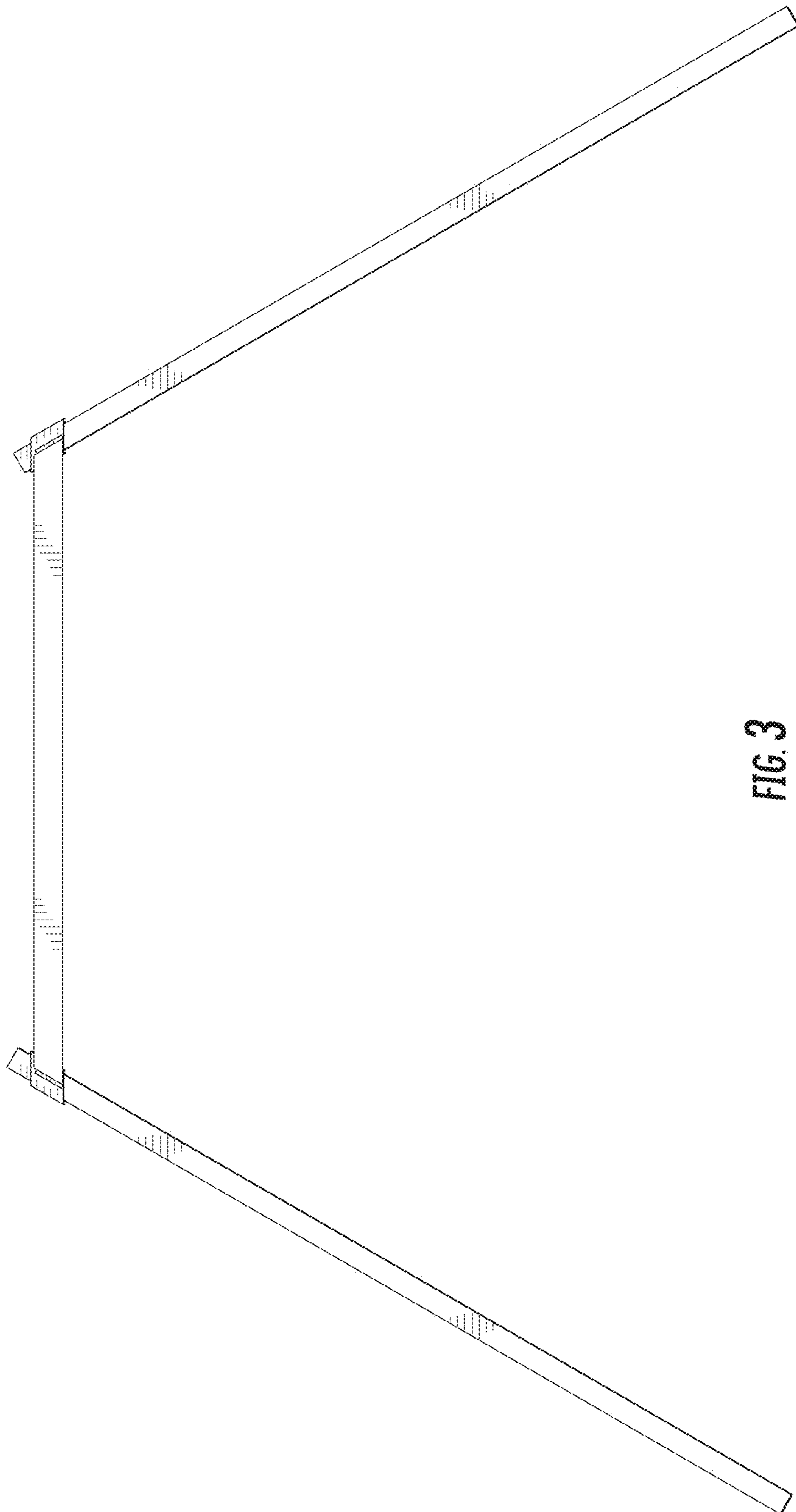


FIG. 3

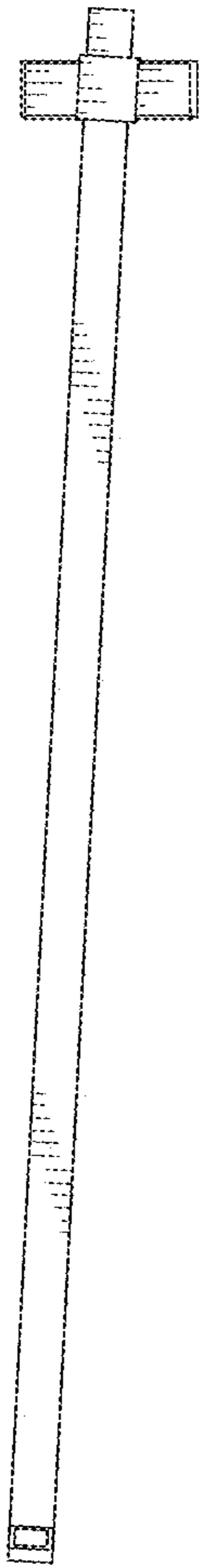


FIG. 4

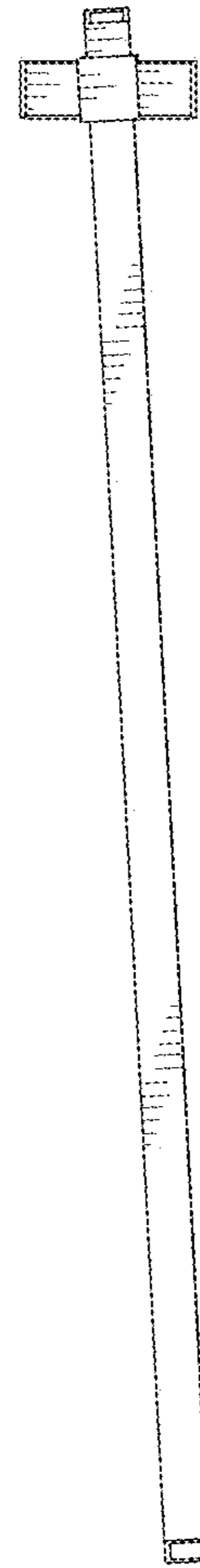


FIG. 5

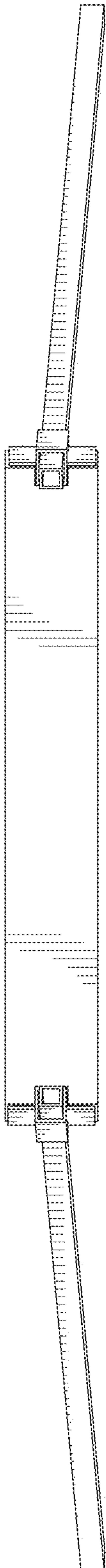


FIG. 6

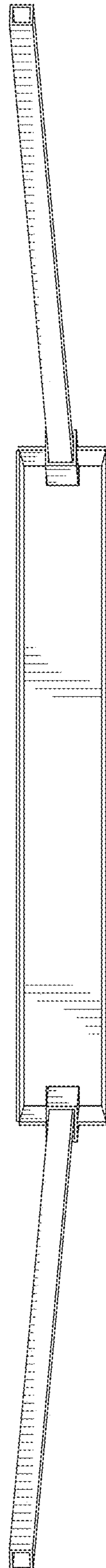


FIG. 7