



US00D901280S

(12) **United States Design Patent**  
**Jin**

(10) **Patent No.:** **US D901,280 S**

(45) **Date of Patent:** **\*\* Nov. 10, 2020**

- (54) **BABY SAFETY CABINET LOCK**
- (71) Applicant: **ZHEJIANG JIKE INDUSTRY & TRADE CO., LTD**, Yongkang (CN)
- (72) Inventor: **Zhong Jin**, Yongkang (CN)
- (73) Assignee: **ZHEJIANG JIKE INDUSTRY & TRADE CO., LTD**, Yongkang (CN)
- (\*\*) Term: **15 Years**
- (21) Appl. No.: **29/701,347**
- (22) Filed: **Aug. 11, 2019**
- (51) **LOC (12) Cl.** ..... **08-07**
- (52) **U.S. Cl.**  
USPC ..... **D8/336**
- (58) **Field of Classification Search**  
USPC ..... D8/331, 330, 336  
CPC ..... E05B 65/0014; E05B 65/0025; E05B 65/0028; E05B 65/0085; E05B 65/44; E05B 65/46; E05B 65/461; E05B 65/462; E05B 65/463; E05B 65/464; E05B 65/466; E05B 65/469; E05B 13/00; A47F 3/00; A47F 3/005; A47F 3/007; A47F 7/024  
See application file for complete search history.

- 7,204,105 B2 \* 4/2007 Hooper ..... E05B 17/142 200/43.14
  - 7,383,707 B2 \* 6/2008 Yamada ..... E05B 83/30 292/167
  - 8,056,989 B2 \* 11/2011 Zielinski ..... E05B 65/46 312/215
  - 8,176,758 B2 \* 5/2012 Ramsauer ..... E05B 1/0092 70/208
  - 9,366,075 B2 \* 6/2016 Marsden ..... E05B 65/0014
  - D784,112 S \* 4/2017 Onorato ..... D8/336
  - 10,066,428 B2 \* 9/2018 Wheelwright ..... F16G 11/03
- \* cited by examiner

*Primary Examiner* — Doris Clark  
(74) *Attorney, Agent, or Firm* — Zhihua Han; Wen IP LLC

(57) **CLAIM**

I claim the ornamental design for the baby safety cabinet lock, as shown and described.

**DESCRIPTION**

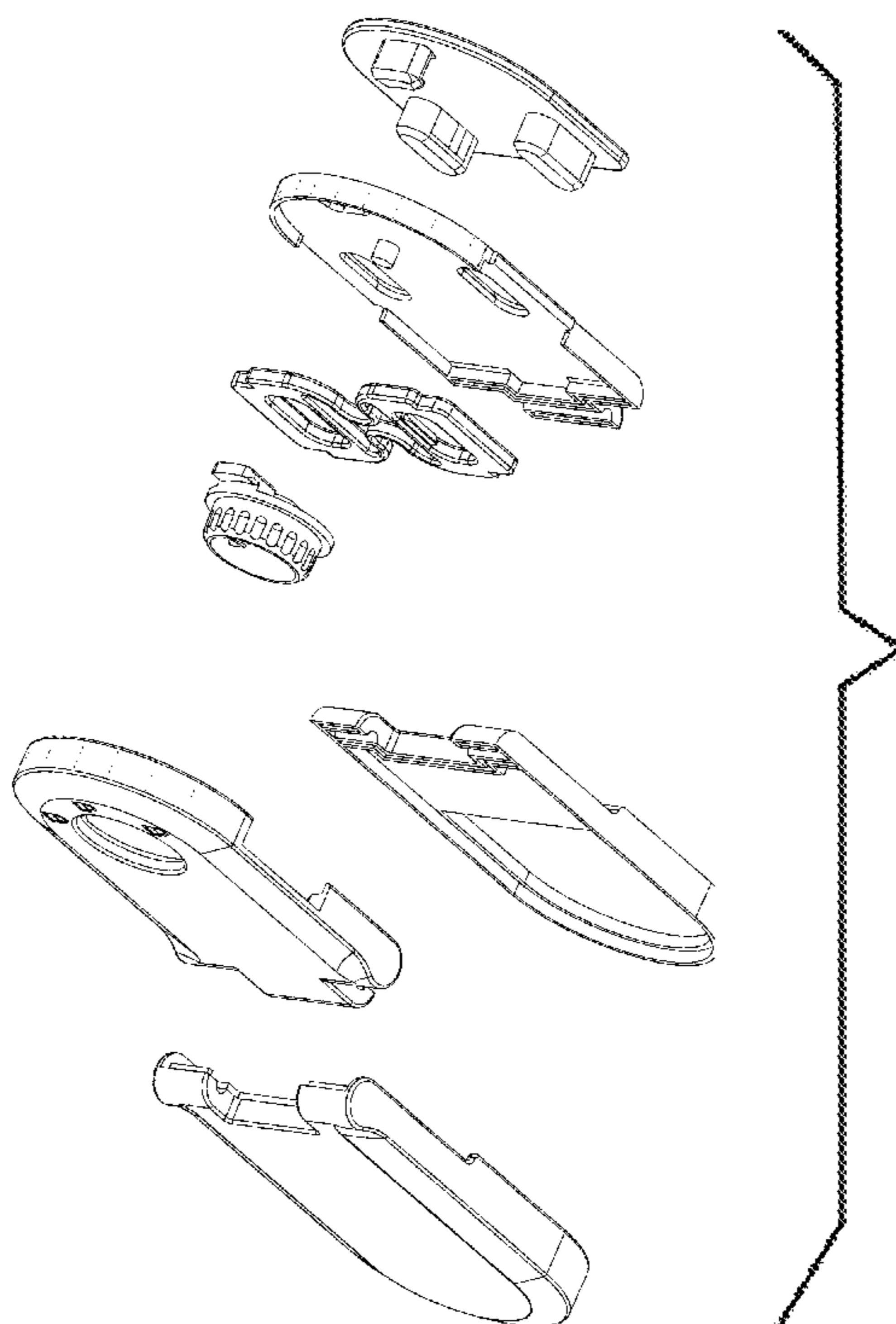
FIG. 1 is a front elevational view of the baby safety cabinet lock showing my new design;  
FIG. 2 is a rear elevational view thereof;  
FIG. 3 is a right side elevational view thereof;  
FIG. 4 is a left side elevational view thereof;  
FIG. 5 is a top plan view thereof;  
FIG. 6 is a bottom plan view thereof;  
FIG. 7 is a prospective view thereof in a straight state;  
FIG. 8 is a prospective view thereof in an angled state;  
FIG. 9 is a prospective view thereof in a partially dissembled state; and,  
FIG. 10 is an exploded view thereof.

(56) **References Cited**

U.S. PATENT DOCUMENTS

- D306,130 S \* 2/1990 Bobrowski ..... D8/331
- 5,456,506 A \* 10/1995 Bartlett ..... E05C 19/08 16/223
- D427,885 S \* 7/2000 Ayrest ..... D8/336

**1 Claim, 10 Drawing Sheets**



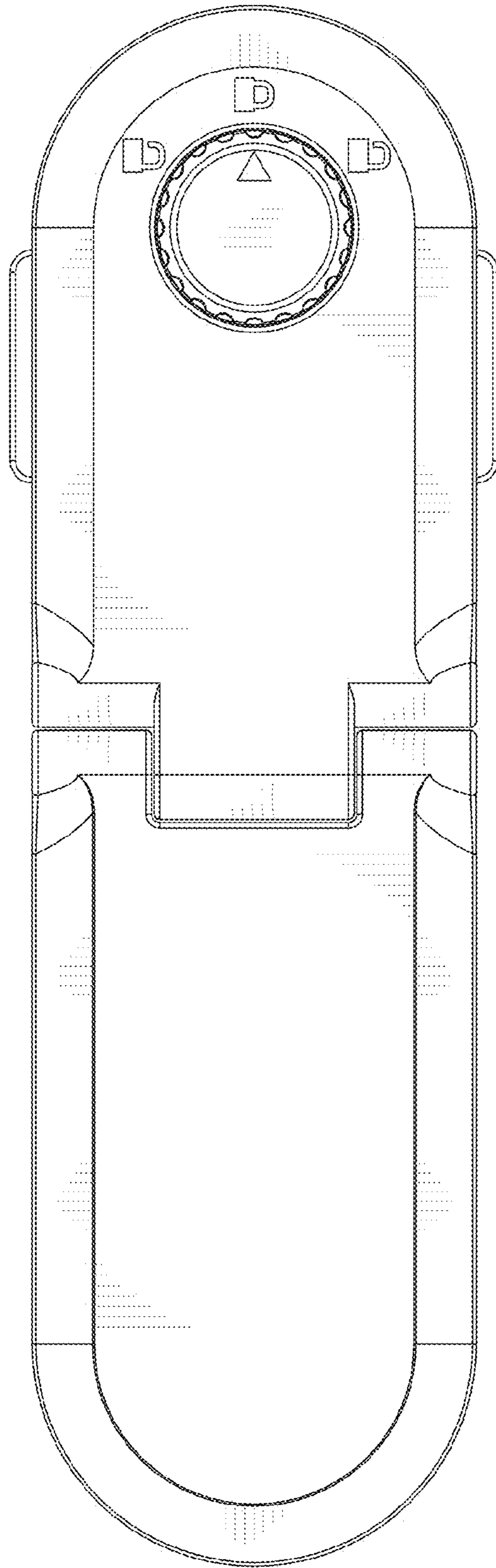


FIG. 1

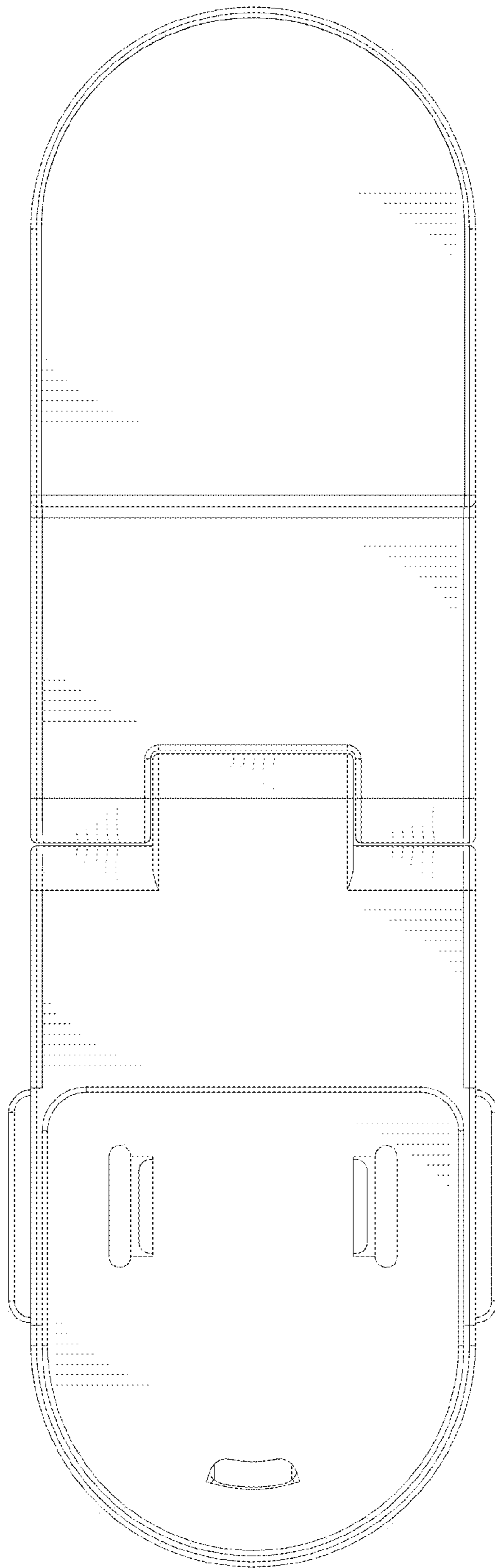


FIG. 2

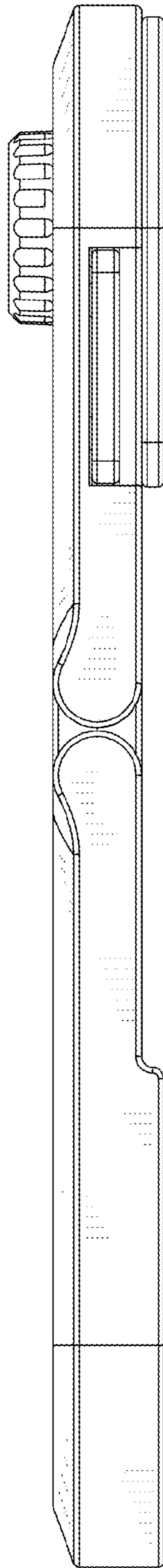


FIG. 3

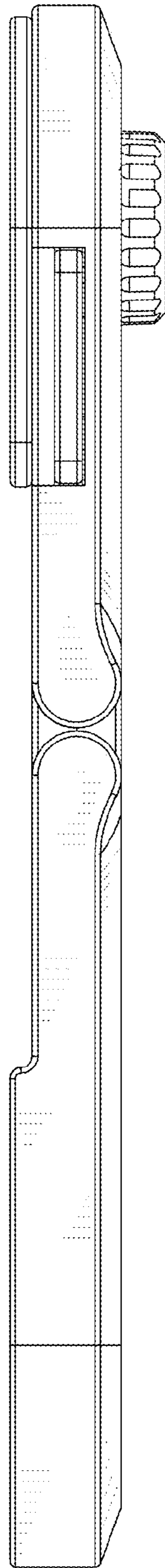


FIG. 4

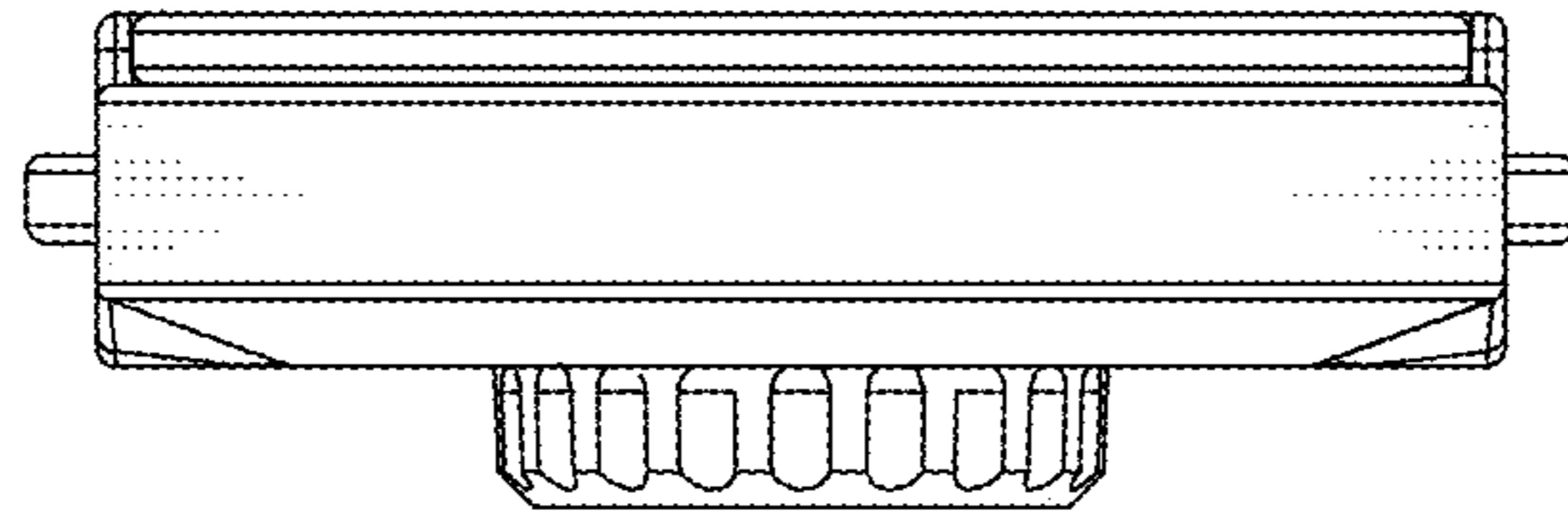


FIG. 5

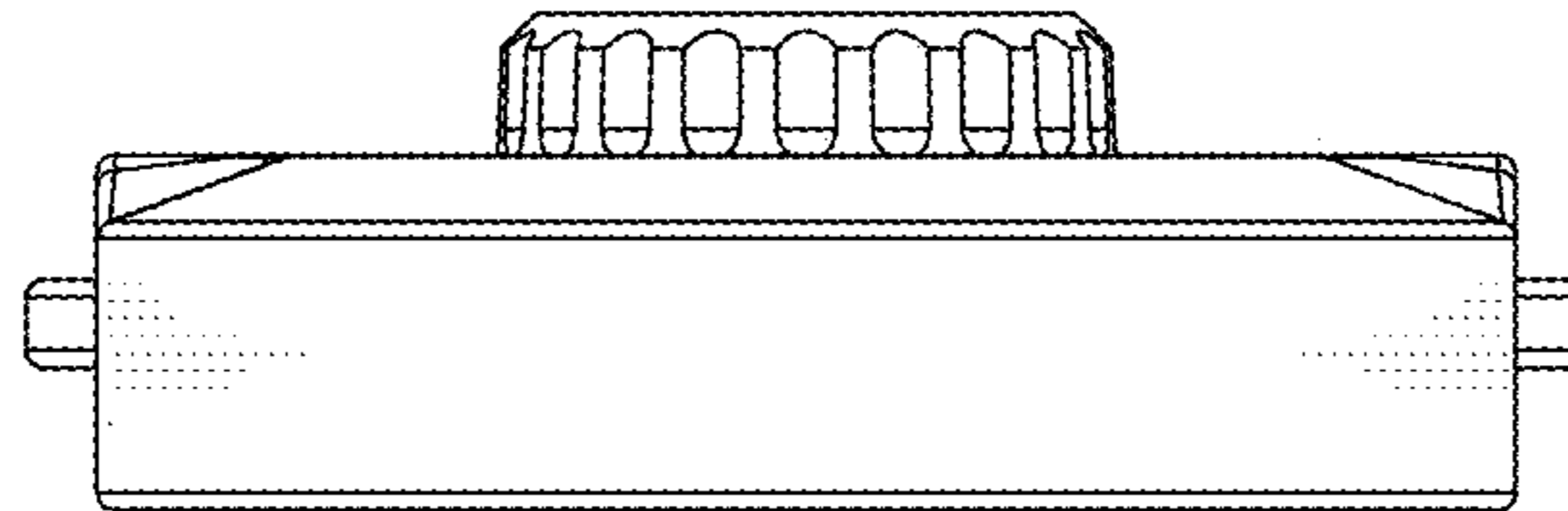


FIG. 6



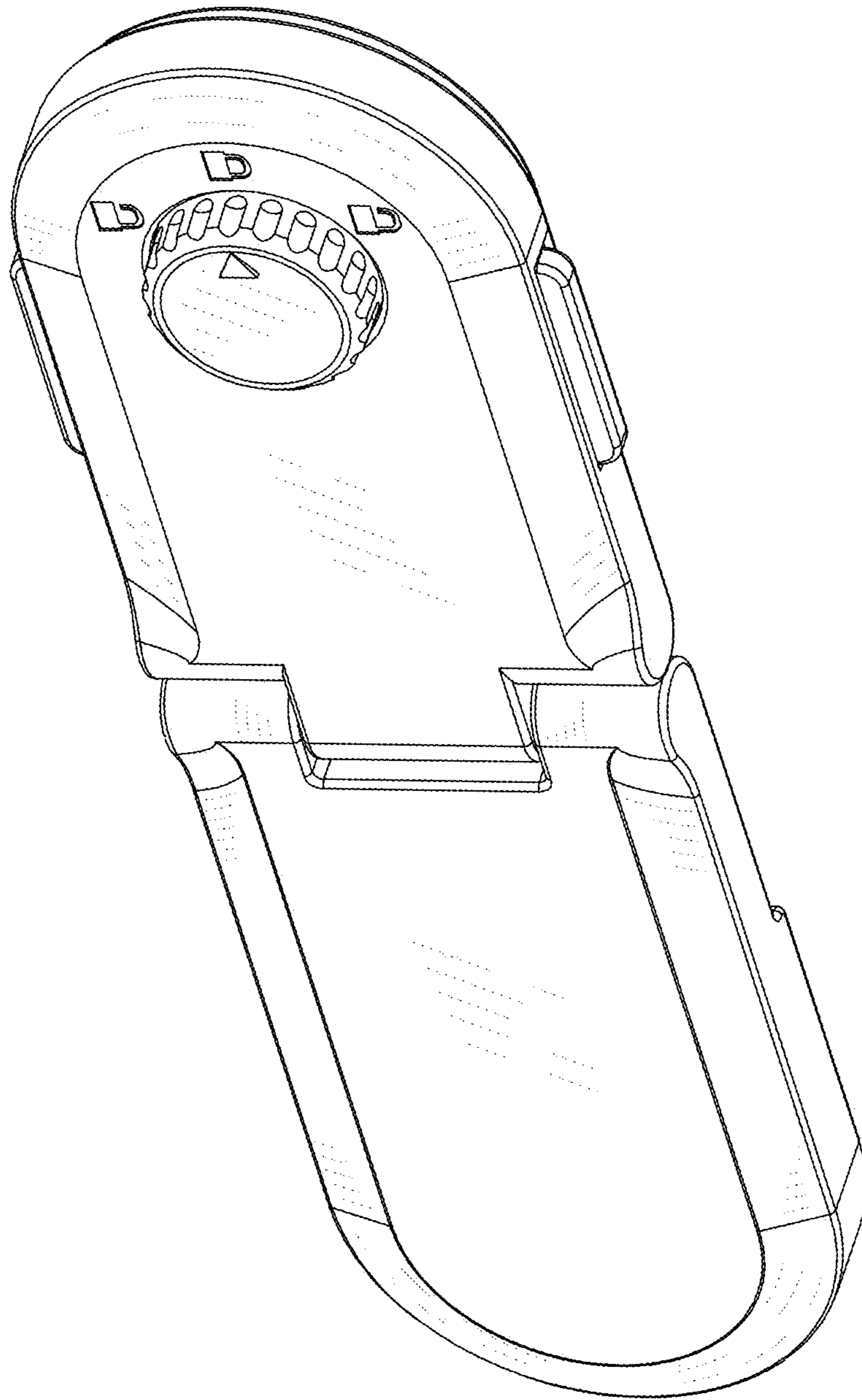


FIG. 7



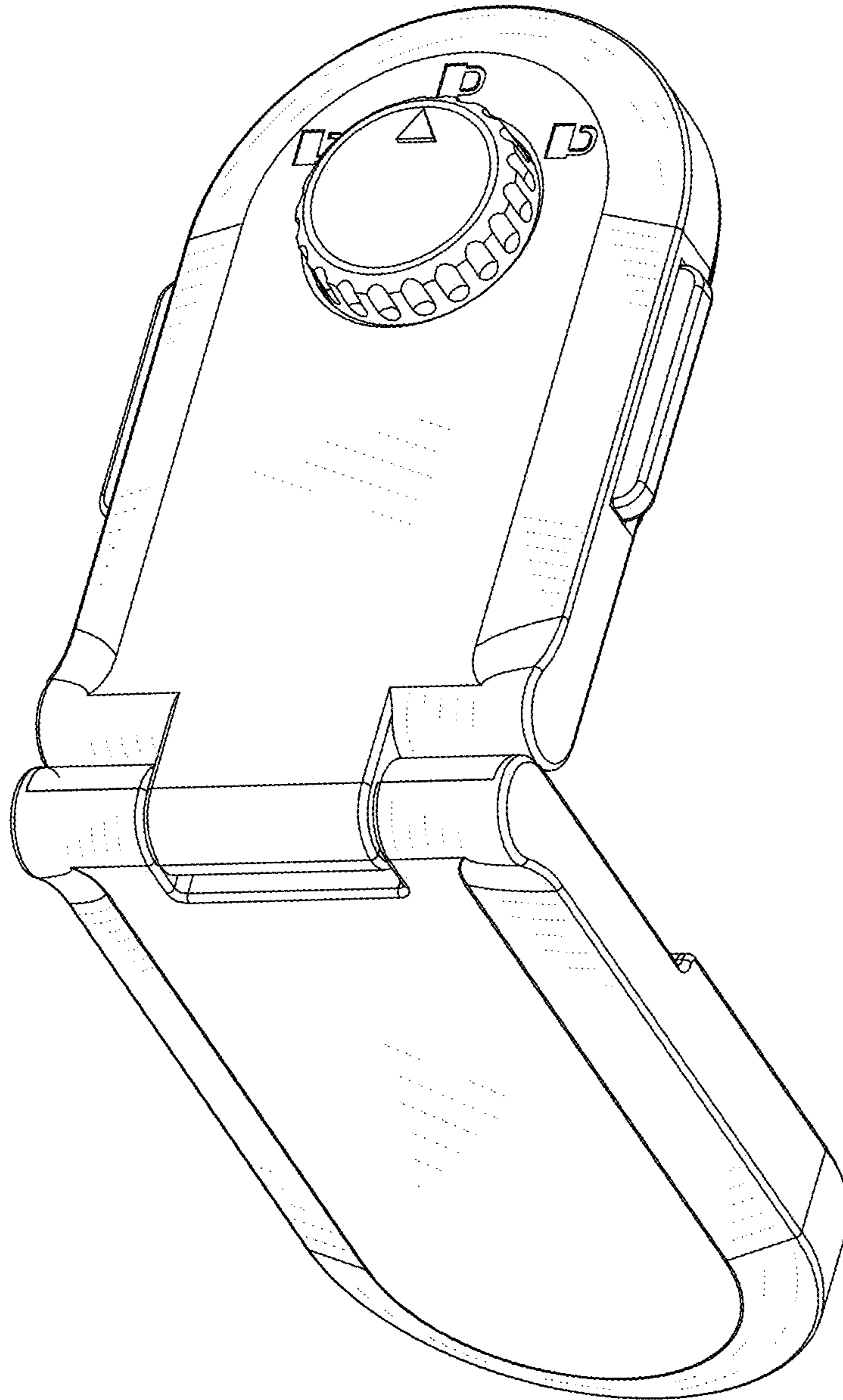


FIG. 8

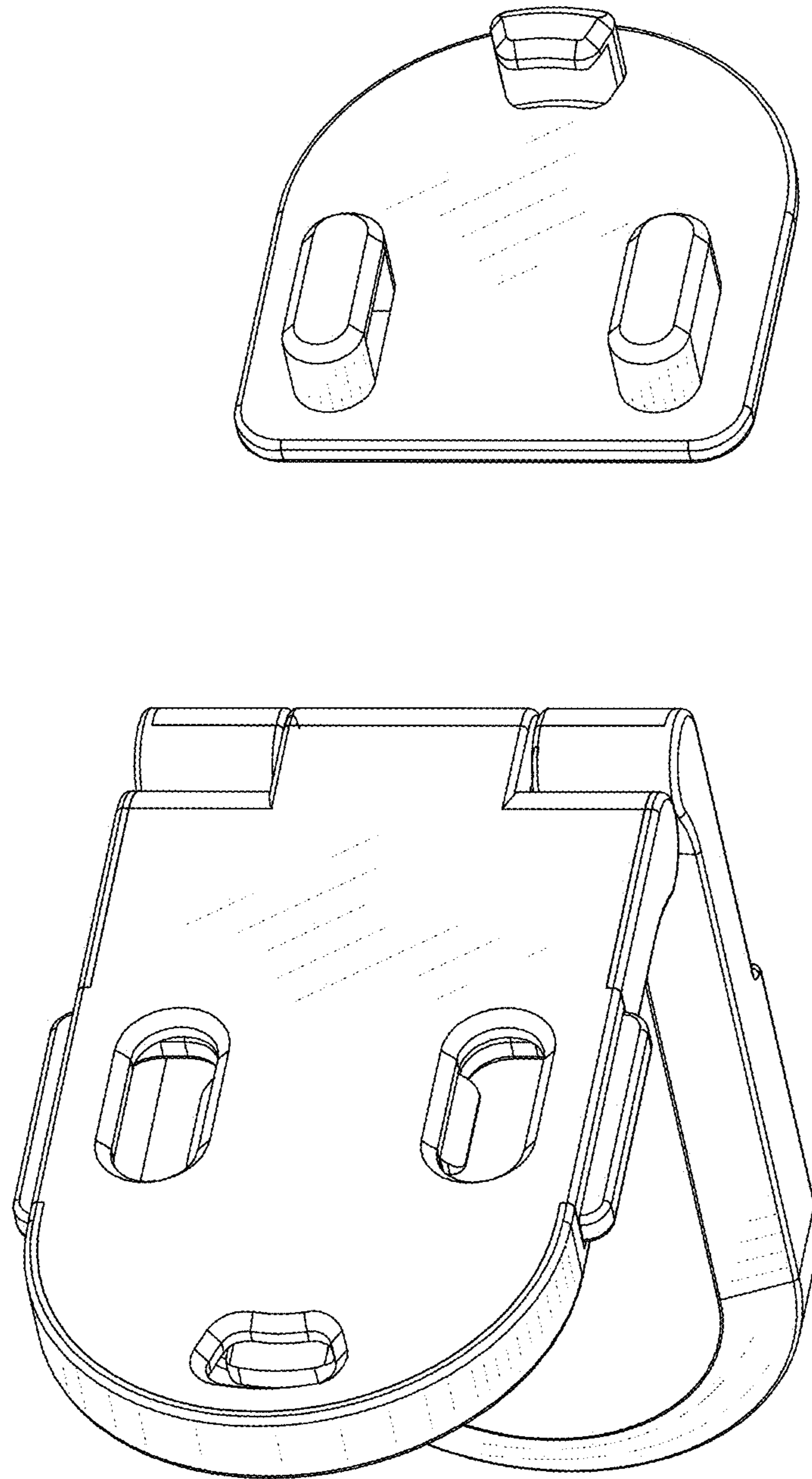


FIG. 9

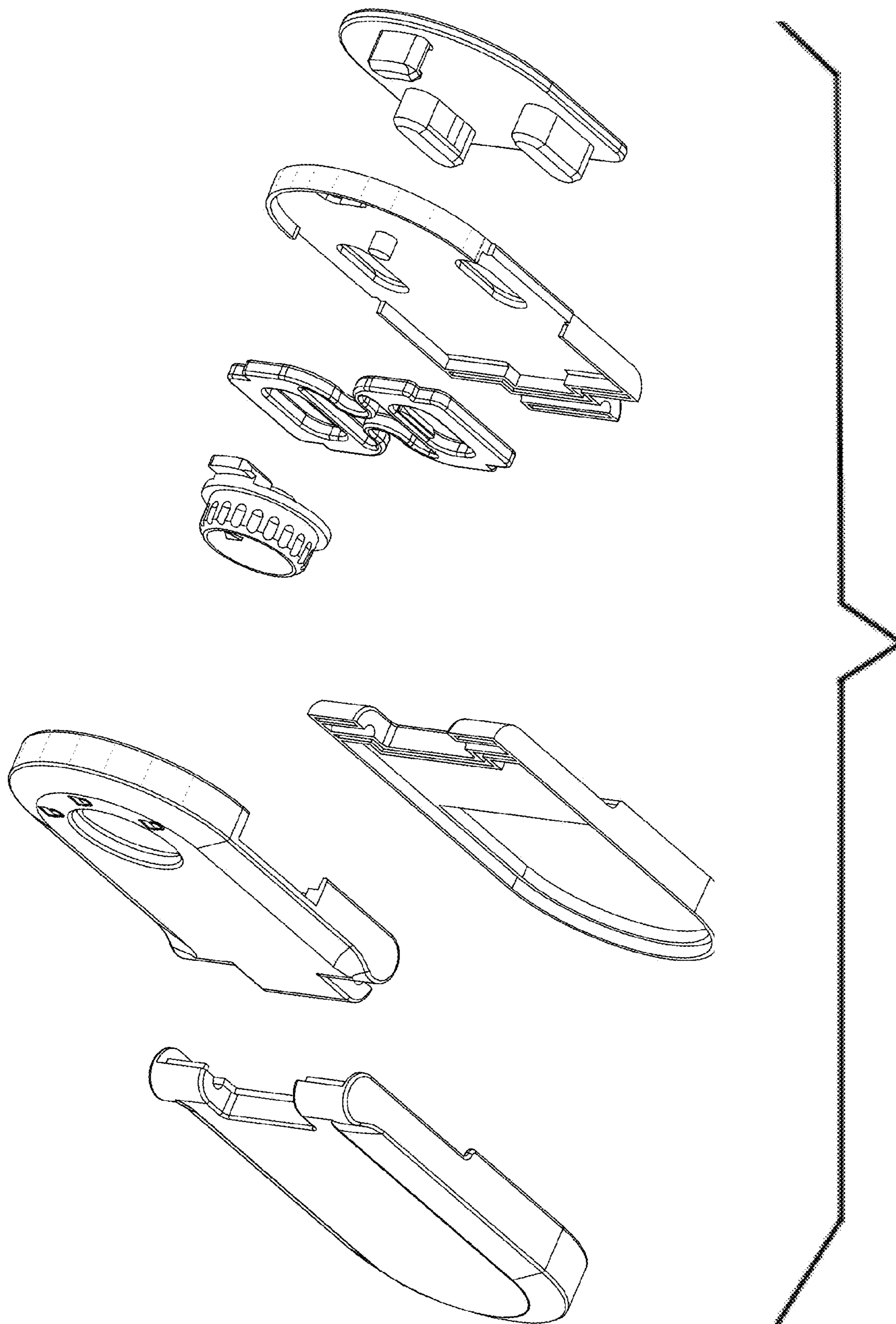


FIG. 10