



US00D901276S

(12) **United States Design Patent** (10) **Patent No.:** **US D901,276 S**
Berberet et al. (45) **Date of Patent:** **** Nov. 10, 2020**

(54) **APPLIANCE DOOR HANDLE**

FOREIGN PATENT DOCUMENTS

(71) Applicant: **WHIRLPOOL CORPORATION**,
Benton Harbor, MI (US)

CN 303166658 * 4/2015
CN 303427819 * 11/2015

(Continued)

(72) Inventors: **Suzanne M. Berberet**, St. Joseph, MI (US); **Quinn Chintis**, Ferndale, MI (US); **Michael C. Lah**, Benton Harbor, MI (US); **John J. Myers**, Saugatuck, MI (US); **Lauren Szczesny**, St. Joseph, MI (US); **Jason W. Tippetts**, Stevensville, MI (US)

OTHER PUBLICATIONS

Hampton Series Cabinet and Drawer Pull, RK International, martellhardware.com, author not listed, posted Sep. 3, 2014 per wayback machine © Martell Supply, LLC, online, site visited Jul. 23, 2019. Available from Internet, URL: [https://www.martellhardware.com/hardware-by-manufacturer/rk-internatio . . .](https://www.martellhardware.com/hardware-by-manufacturer/rk-internatio...) (Year: 2014).*

(Continued)

(73) Assignee: **Whirlpool Corporation**, Benton Harbor, MI (US)

Primary Examiner — Marissa J Cash

Assistant Examiner — Altaira J Swangin

(**) Term: **15 Years**

(74) *Attorney, Agent, or Firm* — Price Heneveld LLP

(21) Appl. No.: **29/641,331**

(22) Filed: **Mar. 21, 2018**

(57) **CLAIM**

(51) **LOC (12) Cl.** **08-06**

The ornamental design for an appliance door handle, as shown and described.

(52) **U.S. Cl.**

USPC **D8/315**

(58) **Field of Classification Search**

USPC D8/310, 312, 315–320; 248/205.5, 205.8, 248/207; 16/406, 412–413, 415, 420, 16/422, 443–444; 294/185–189; D15/89, D15/142; D23/250; D7/349, 350.1; D25/38.1, 119, 136

CPC B42P 2241/06; Y10S 16/12

See application file for complete search history.

DESCRIPTION

FIG. 1 is a front perspective view of an appliance door handle according to our design;

FIG. 2 is a front perspective detail view of area 2 indicated in FIG. 1;

FIG. 3 is a front elevation view of the appliance door handle of FIG. 1;

FIG. 4 is a back elevation view thereof;

FIG. 5 is a left side elevation view thereof;

FIG. 6 is a right side elevation view thereof;

FIG. 7 is a top plan view thereof; and,

FIG. 8 is a bottom plan view thereof.

The appliance door handle is shown with a symbolic break in its length. The appearance of any portion of the article between the break lines forms no part of the claimed design.

(56) **References Cited**

U.S. PATENT DOCUMENTS

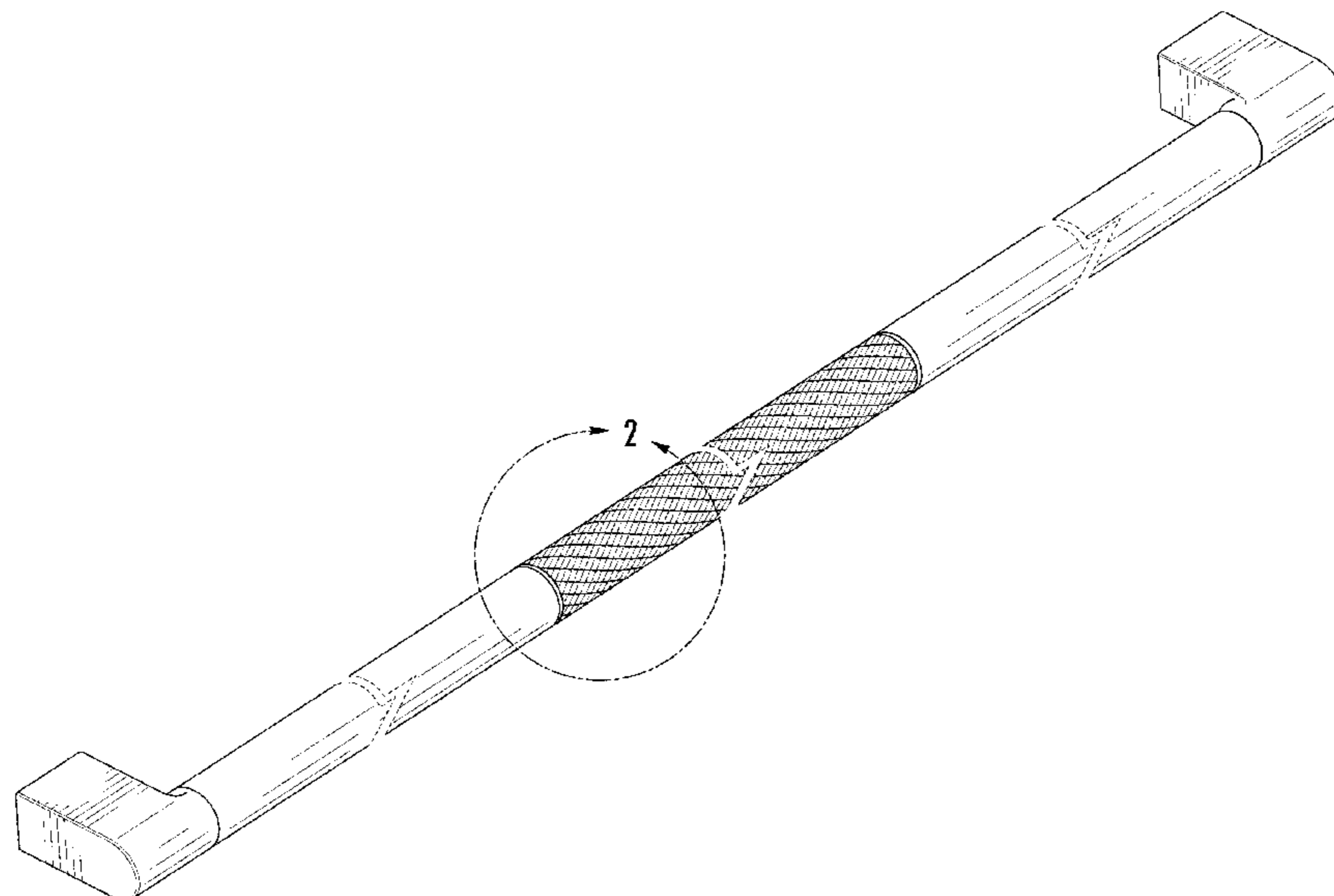
2,199,223 A * 4/1940 Hastings G01B 3/303
16/422

D160,776 S * 11/1950 Desguin et al. D7/340

3,585,101 A * 6/1971 Stratton et al. F16B 11/006
428/169

(Continued)

1 Claim, 5 Drawing Sheets



(56)

References Cited

U.S. PATENT DOCUMENTS

D289,538 S * 4/1987 Wilson D21/679
 4,813,120 A * 3/1989 Fournier B25B 27/0028
 29/235
 5,076,578 A * 12/1991 Askonen A63B 23/12
 482/139
 D334,315 S * 3/1993 Bengtson D23/304
 D385,604 S * 10/1997 Moore D21/679
 6,296,482 B1 * 10/2001 Kapit A61C 7/146
 433/3
 D488,699 S * 4/2004 Jackovin D8/316
 D495,556 S * 9/2004 Milrud D7/405
 D505,139 S * 5/2005 Jackovin D15/89
 D539,592 S * 4/2007 Jeon D7/350.1
 D539,994 S * 4/2007 Pezzetta D32/3
 D542,090 S * 5/2007 Kim D7/402
 D550,024 S * 9/2007 Jeon D7/350.1
 D563,007 S * 2/2008 Opolka D26/49
 D564,729 S * 3/2008 Fisher D7/402
 D568,100 S * 5/2008 Jeon D7/402
 D582,198 S * 12/2008 Cruver, IV D7/350.1
 D587,067 S * 2/2009 Kim D7/402
 D594,698 S * 6/2009 Cruver, IV D7/350.1
 D610,173 S * 2/2010 Kim D15/89
 8,418,321 B1 * 4/2013 Heiman B25G 1/06
 15/143.1
 D681,988 S * 5/2013 Kuo D6/524
 D723,637 S * 3/2015 Mercado D21/679
 D732,249 S * 6/2015 Roberson D32/3
 D745,362 S * 12/2015 Grasselli D8/315
 D758,825 S * 6/2016 Nesbitt D8/310
 D758,827 S * 6/2016 Grasselli D8/315
 D759,886 S * 6/2016 Seehof D25/41.1
 D759,888 S * 6/2016 Seehof D25/41.1
 D763,522 S * 8/2016 Roberson D32/3
 D763,617 S * 8/2016 Kim D7/339
 D763,654 S * 8/2016 Chung D8/315
 D764,230 S * 8/2016 Shoemaker D7/405
 D768,626 S * 10/2016 Mikelson D14/300
 D772,690 S * 11/2016 Warren D8/319
 D777,008 S * 1/2017 Nesbitt D8/310
 9,534,830 B2 * 1/2017 Hammond C09D 5/00
 D779,917 S * 2/2017 Warren D8/319
 D781,641 S * 3/2017 Incukur D7/393
 D781,642 S * 3/2017 Incukur D7/393
 D786,611 S * 5/2017 Funnell, II D7/348
 D797,819 S * 9/2017 Fuller D15/85
 D798,396 S * 9/2017 Agate D21/679
 D798,509 S * 9/2017 Fuller D32/3
 D801,289 S * 10/2017 Minale D13/169
 9,816,746 B1 * 11/2017 Haney F25D 11/00

D809,169 S * 1/2018 Grandadam D26/38
 D812,959 S * 3/2018 Kim D7/348
 D824,238 S * 7/2018 Grasselli D8/315
 D826,294 S * 8/2018 Kim D15/89
 D827,368 S * 9/2018 Colston D7/402
 D829,076 S * 9/2018 Dulley D8/310
 D829,482 S * 10/2018 Incukur D7/340
 D831,709 S * 10/2018 Kim D15/89
 D835,932 S * 12/2018 Incukur D7/340
 D838,133 S * 1/2019 Fuller D7/339
 D838,402 S * 1/2019 Sonneman D26/86
 D840,184 S * 2/2019 Kim D7/349
 D840,185 S * 2/2019 Kim D7/349
 D842,073 S * 3/2019 Minale D8/315
 D845,071 S * 4/2019 Colston D7/402
 D845,072 S * 4/2019 Colston D7/402
 D853,218 S * 7/2019 Lee D8/315
 D853,505 S * 7/2019 Toueg D21/679
 10,344,986 B2 * 7/2019 Yantis E05B 1/0015
 D856,447 S * 8/2019 Dunahay D21/684
 D883,768 S * 5/2020 Cruver, IV D8/316
 RE48,162 E * 8/2020 Colston D7/402
 2003/0056334 A1 * 3/2003 Finkelstein F24C 15/024
 16/436
 2003/0208883 A1 * 11/2003 Ruhland B25G 1/04
 16/422
 2004/0220600 A1 * 11/2004 Waldock A61F 9/0133
 606/167
 2014/0304944 A1 * 10/2014 Carr A47L 15/4257
 16/110.1
 2015/0096974 A1 * 4/2015 Freeman F24C 15/106
 219/485
 2017/0049295 A1 * 2/2017 Lagness A47L 15/4261
 2017/0131020 A1 * 5/2017 Giacomini F25D 23/028
 2017/0187091 A1 * 6/2017 Acker H05B 6/6414
 2018/0271559 A1 * 9/2018 Berger A61B 50/30
 2019/0309957 A1 * 10/2019 Buschman F24C 15/327

FOREIGN PATENT DOCUMENTS

CN 303436129 * 11/2015
 CN 304280286 * 9/2017
 EM 002208553-0001 * 6/2015
 GB 3025140 * 7/2006

OTHER PUBLICATIONS

Appliance Handle, KitchenAid, reviewed.com, published on Jan. 29, 2015 by Keith Barry © not listed, online, site visited Nov. 27, 2018. Available from Internet, URL: <https://www.reviewed.com/ovens/news/kitchenaid-appliances-get-a-whole-new-look> (Year: 2015).*

* cited by examiner

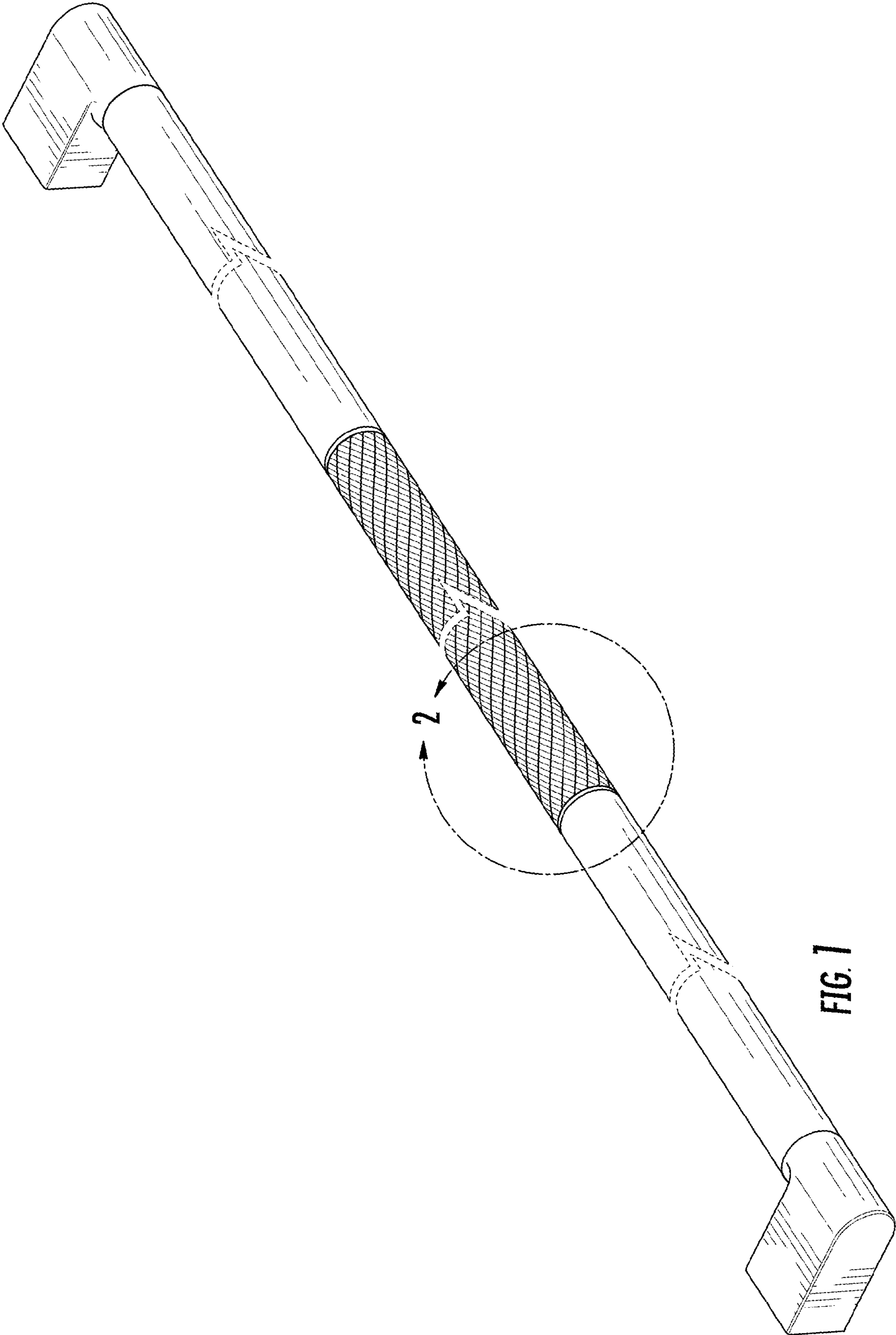


FIG. 1

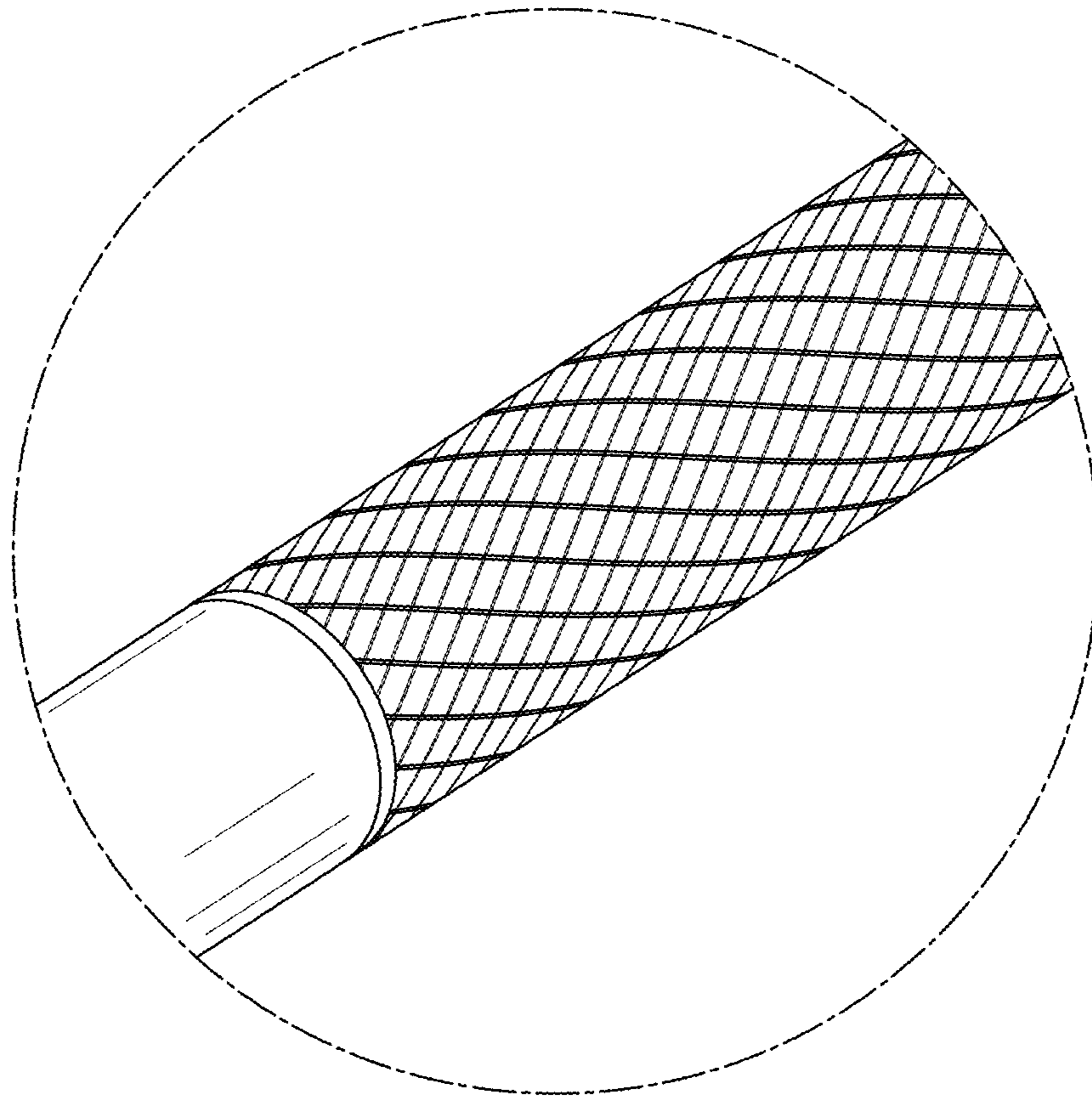


FIG. 2



FIG. 3



FIG. 4

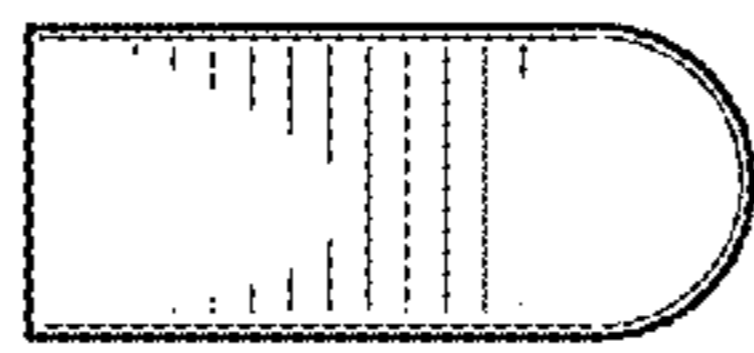


FIG. 5

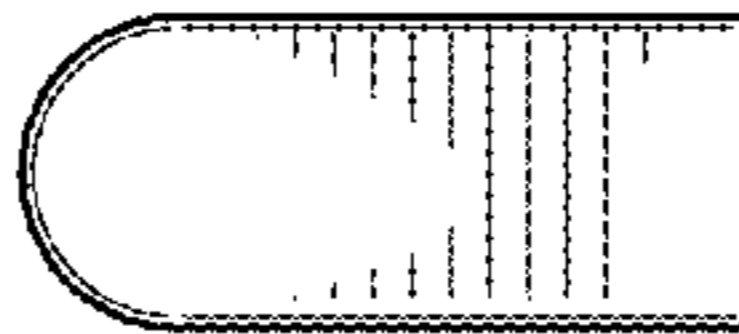


FIG. 6

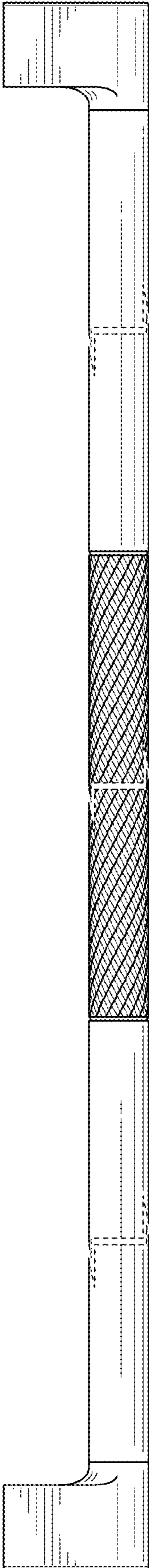


FIG. 7

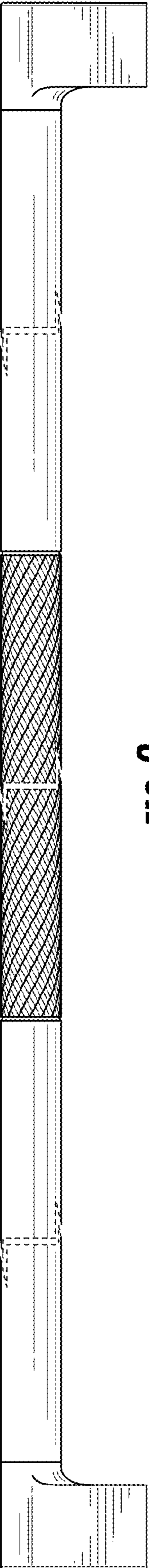


FIG. 8