



US00D901274S

(12) **United States Design Patent**  
**Kirkpatrick et al.**

(10) **Patent No.:** **US D901,274 S**  
(45) **Date of Patent:** **\*\* Nov. 10, 2020**

- (54) **CORDLESS STAPLER**
- (71) Applicant: **Black & Decker, Inc.**, New Britain, CT (US)
- (72) Inventors: **Jonathan Kirkpatrick**, Baldwin, MD (US); **Donald R. Perron**, North Smithfield, RI (US)
- (73) Assignee: **Black & Decker, Inc.**, New Britain, CT (US)
- (\*\*) Term: **15 Years**
- (21) Appl. No.: **29/688,739**
- (22) Filed: **Apr. 24, 2019**
- (51) **LOC (12) Cl.** ..... **08-05**
- (52) **U.S. Cl.**  
USPC ..... **D8/68**
- (58) **Field of Classification Search**  
USPC ..... D8/61-70  
CPC .. B25C 1/001; B25C 1/04; B25C 1/06; B25C 1/041; B25C 1/047  
See application file for complete search history.

- 6,913,180 B2 \* 7/2005 Schuster ..... B25C 1/005 227/109
- D512,622 S \* 12/2005 Thomas ..... D8/69
- D553,931 S \* 10/2007 Buck ..... D8/68
- 7,284,685 B1 \* 10/2007 Wojcicki ..... B25C 1/005 227/119
- 7,413,105 B1 \* 8/2008 Ho ..... B25C 1/001 227/120
- 7,516,532 B2 \* 4/2009 Wojcicki ..... B25C 1/005 227/109
- 2006/0118591 A1 \* 6/2006 Ho ..... B25C 1/008 227/8
- 2009/0050668 A1 \* 2/2009 Jian ..... B25C 5/16 227/126

\* cited by examiner

*Primary Examiner* — Darlington Ly

(74) *Attorney, Agent, or Firm* — Rhonda Barton

(57) **CLAIM**

The ornamental design for a cordless stapler, as shown and described.

**DESCRIPTION**

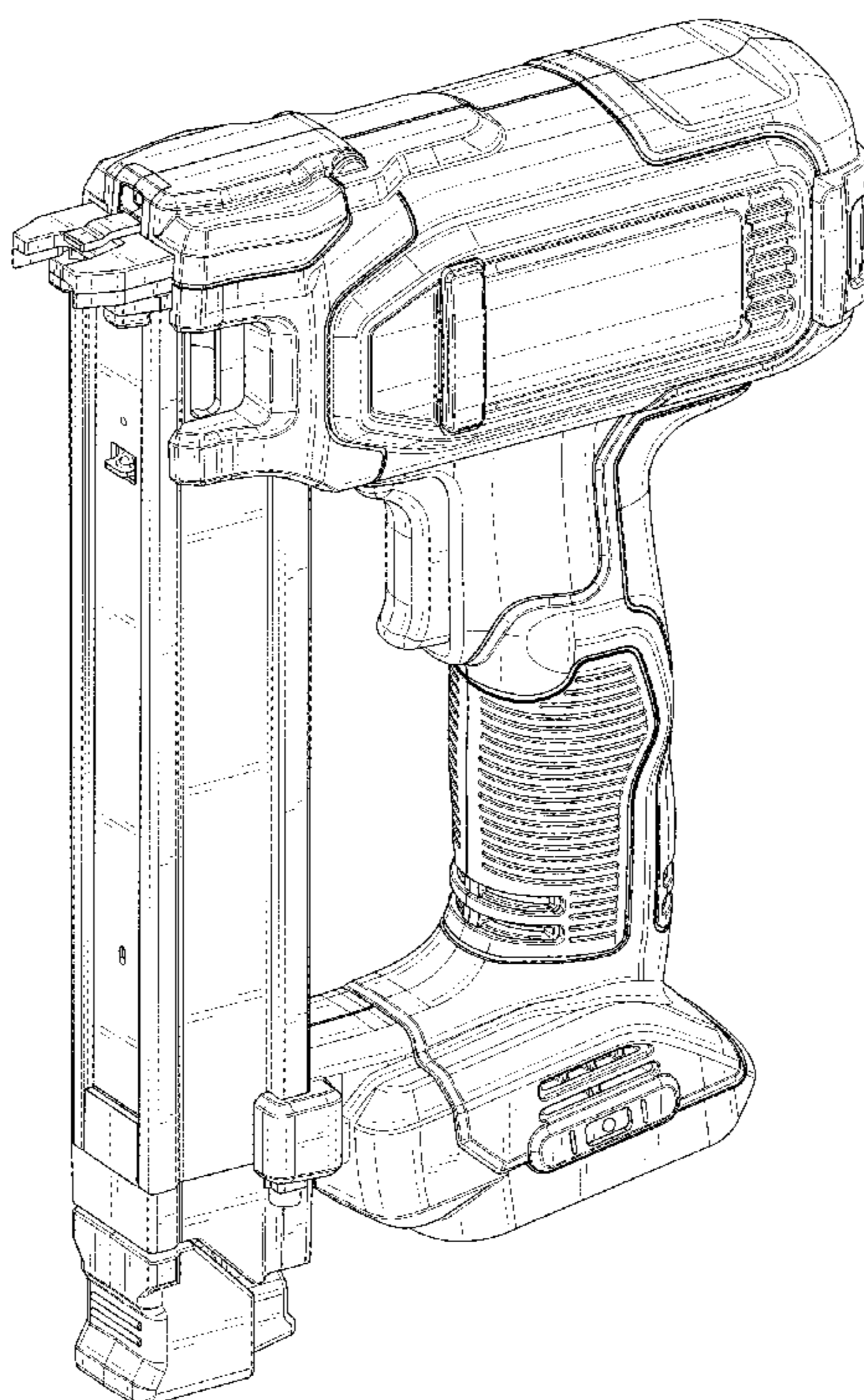
FIG. 1 is a top and left-side perspective view of a cordless stapler showing our new design;  
 FIG. 2 is a top and right-side perspective view of the design of FIG. 1;  
 FIG. 3 is a left-side elevation view thereof;  
 FIG. 4 is a right-side elevation view thereof;  
 FIG. 5 is a front elevation view thereof;  
 FIG. 6 is a rear elevation view thereof;  
 FIG. 7 is a top plan view thereof; and,  
 FIG. 8 is a bottom plan view thereof.

**1 Claim, 8 Drawing Sheets**

(56) **References Cited**

**U.S. PATENT DOCUMENTS**

- 6,045,024 A \* 4/2000 Phillips ..... B25C 1/005 227/10
- D435,769 S \* 1/2001 Etter ..... D8/68
- D475,597 S \* 6/2003 Arai ..... D8/68
- D478,490 S \* 8/2003 Wu ..... D8/68
- D479,110 S \* 9/2003 Nolan ..... D8/68





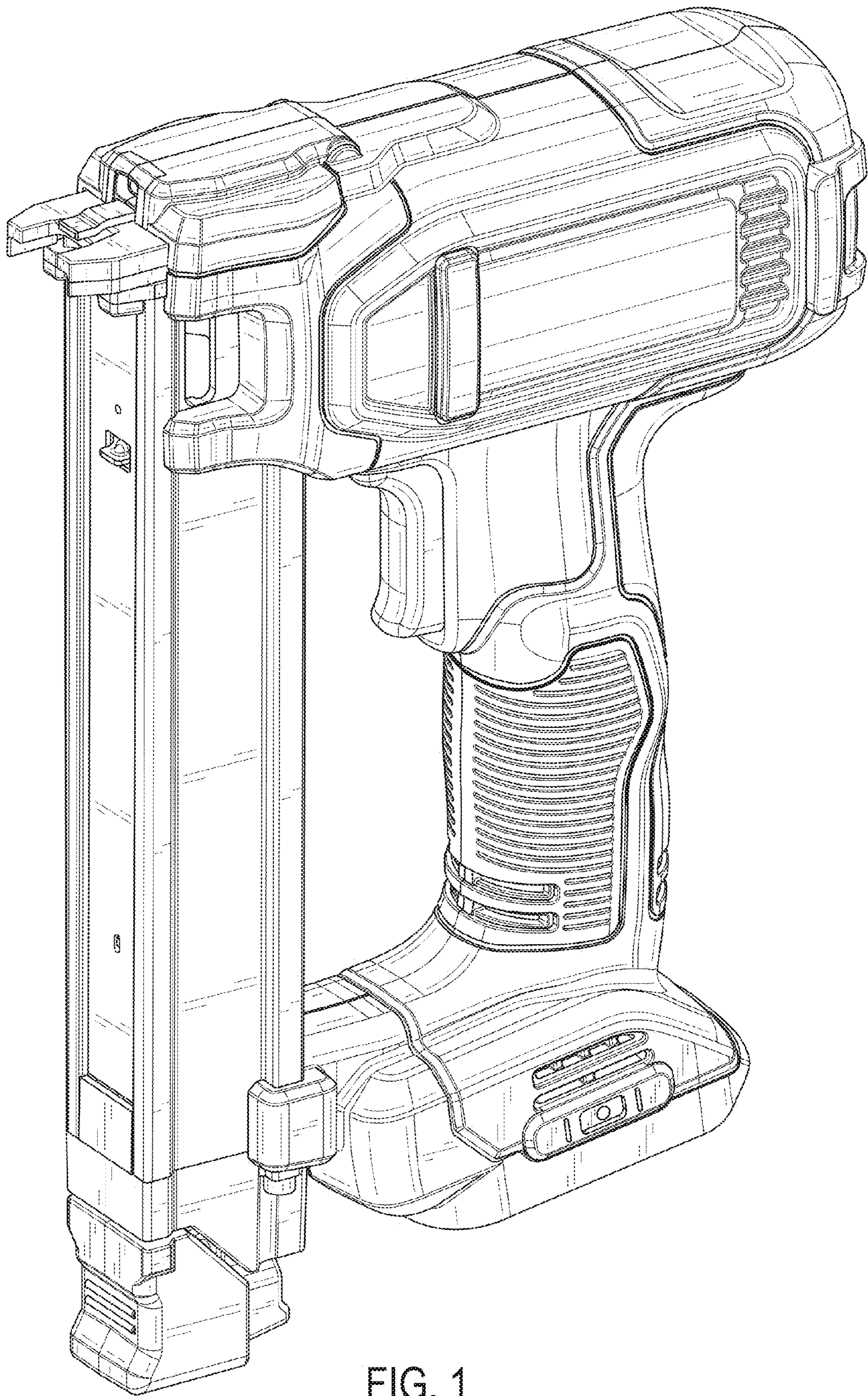


FIG. 1



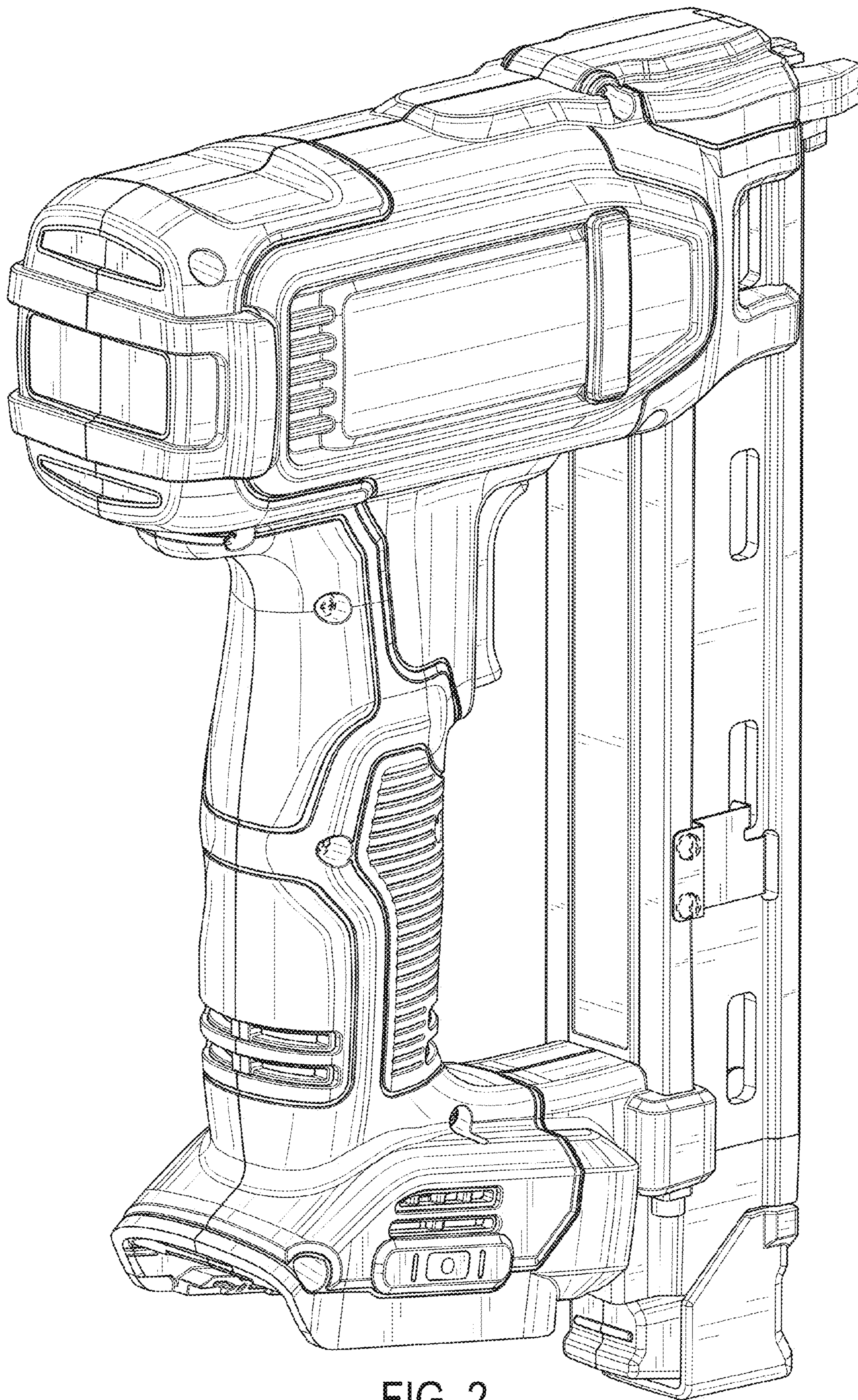


FIG. 2



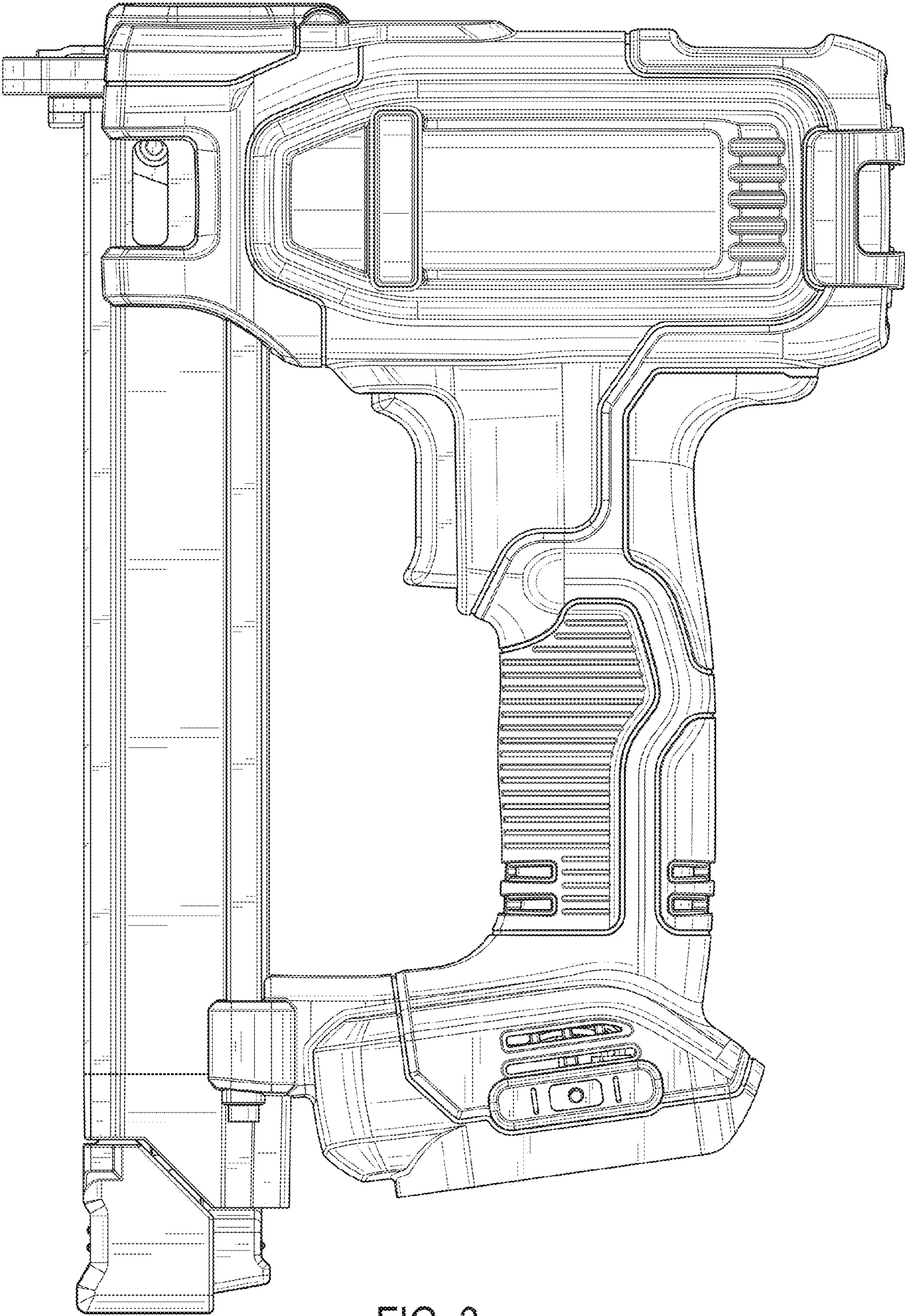


FIG. 3



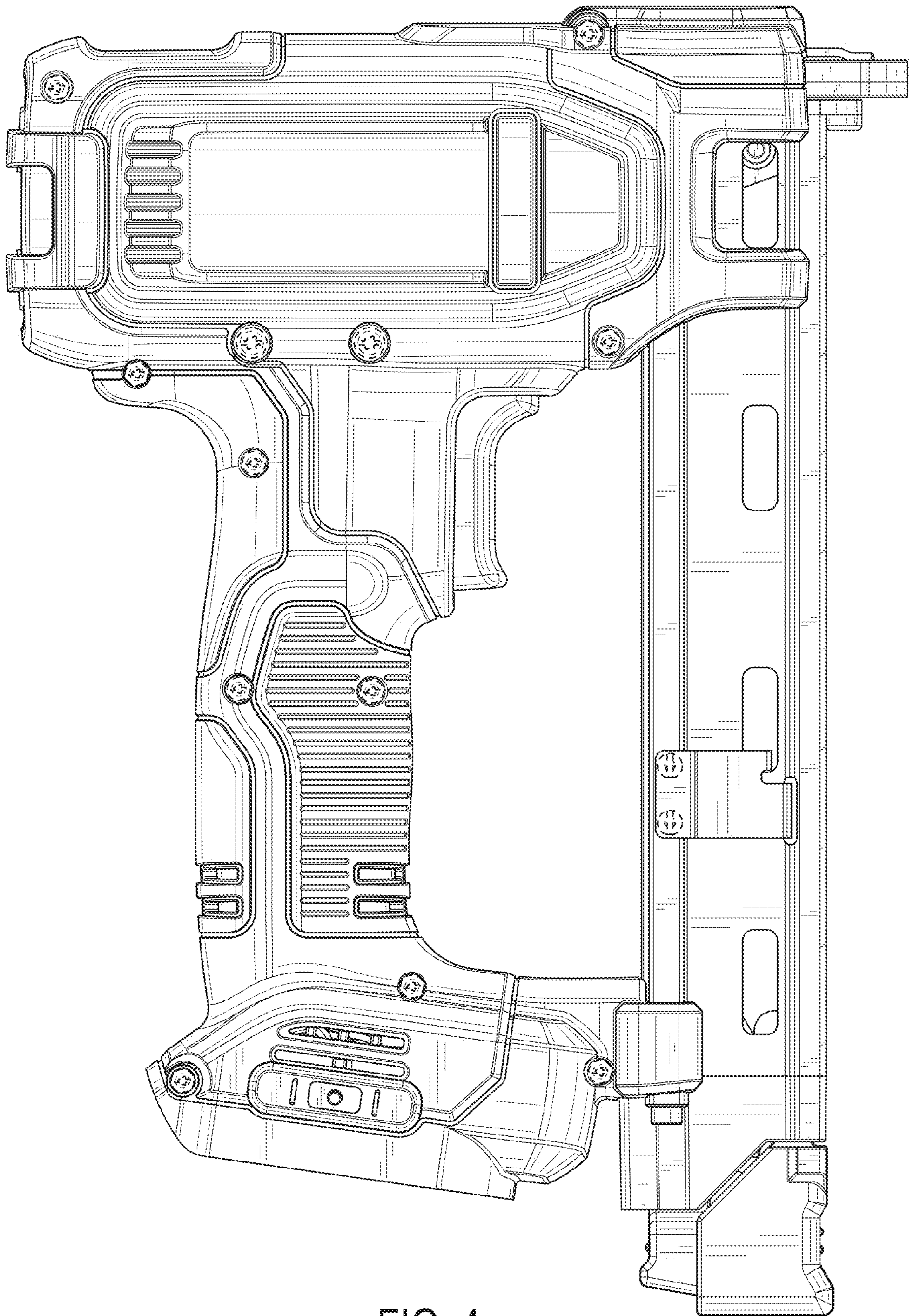


FIG. 4

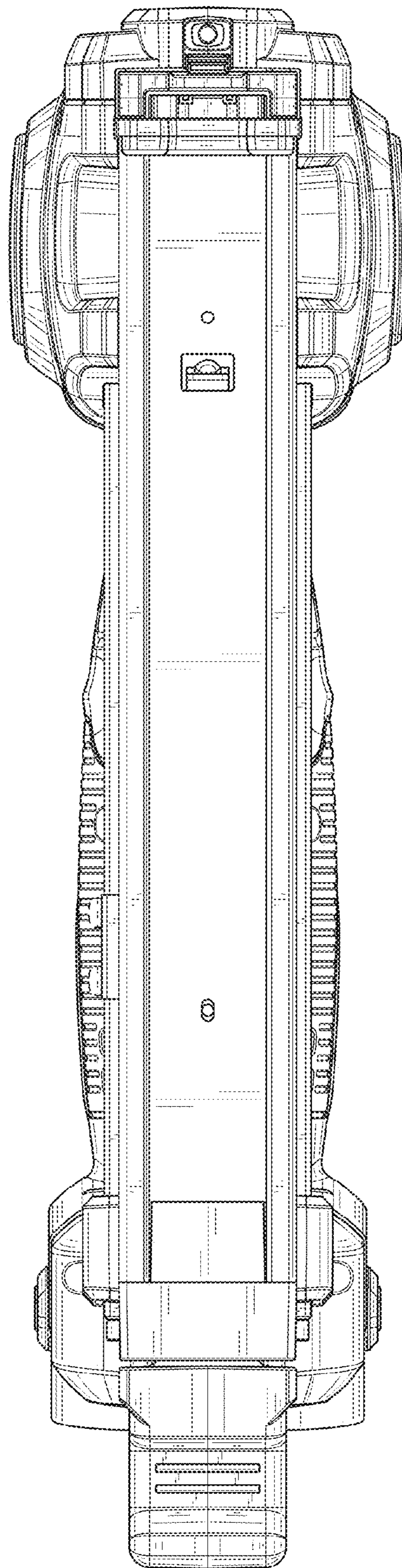


FIG. 5



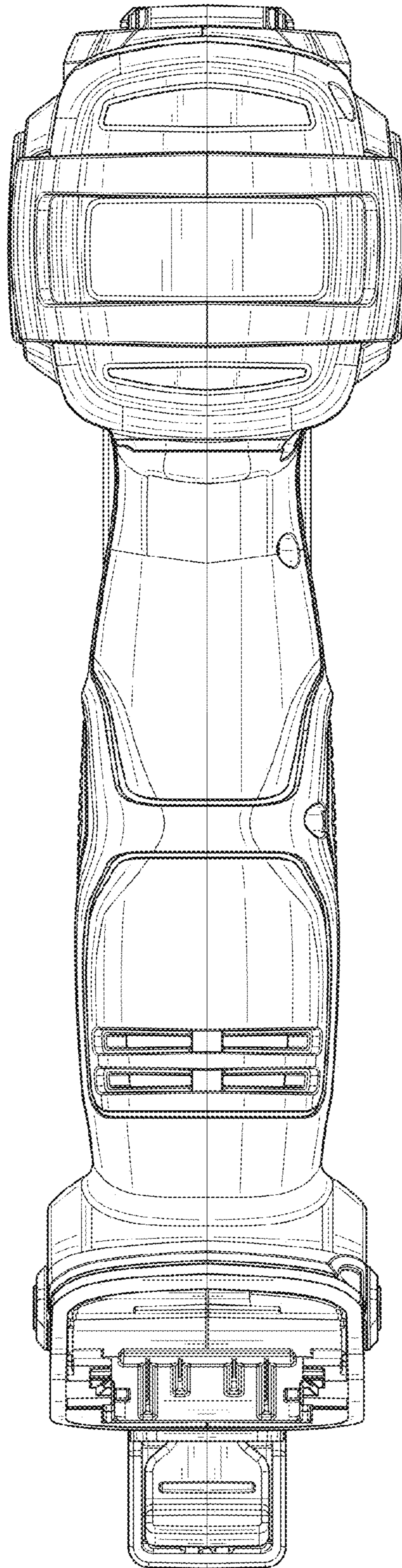


FIG. 6

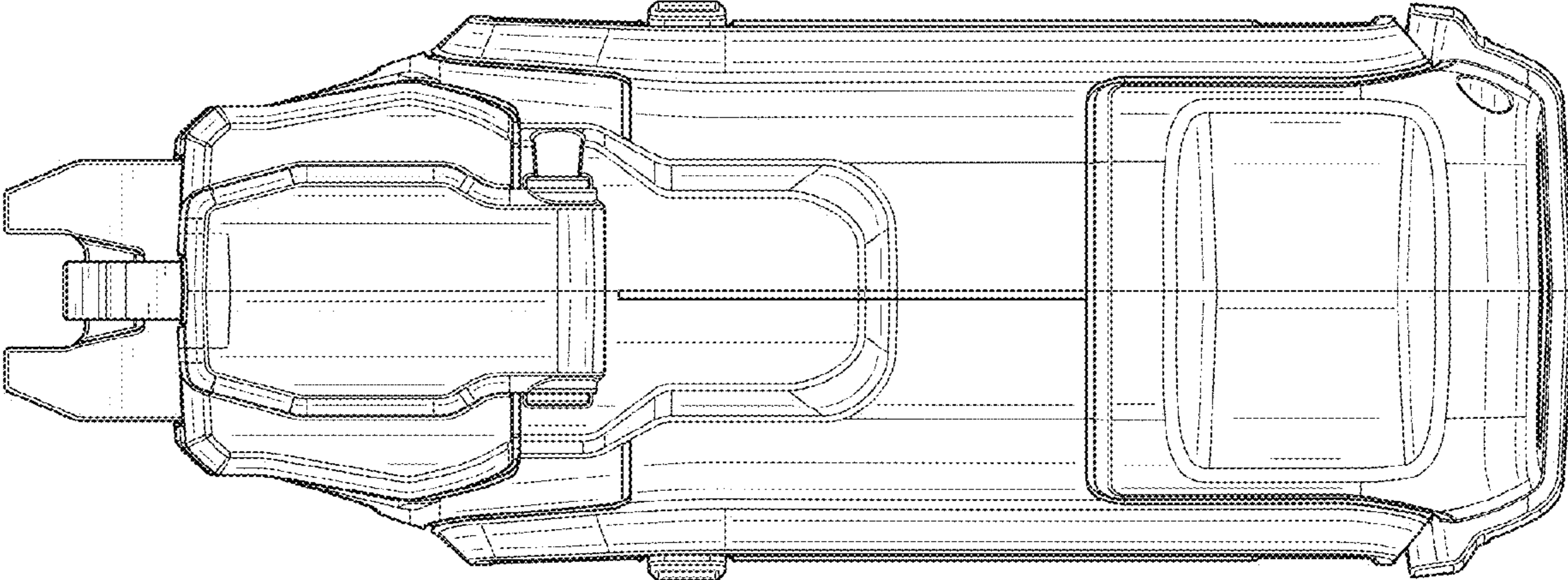


FIG. 7



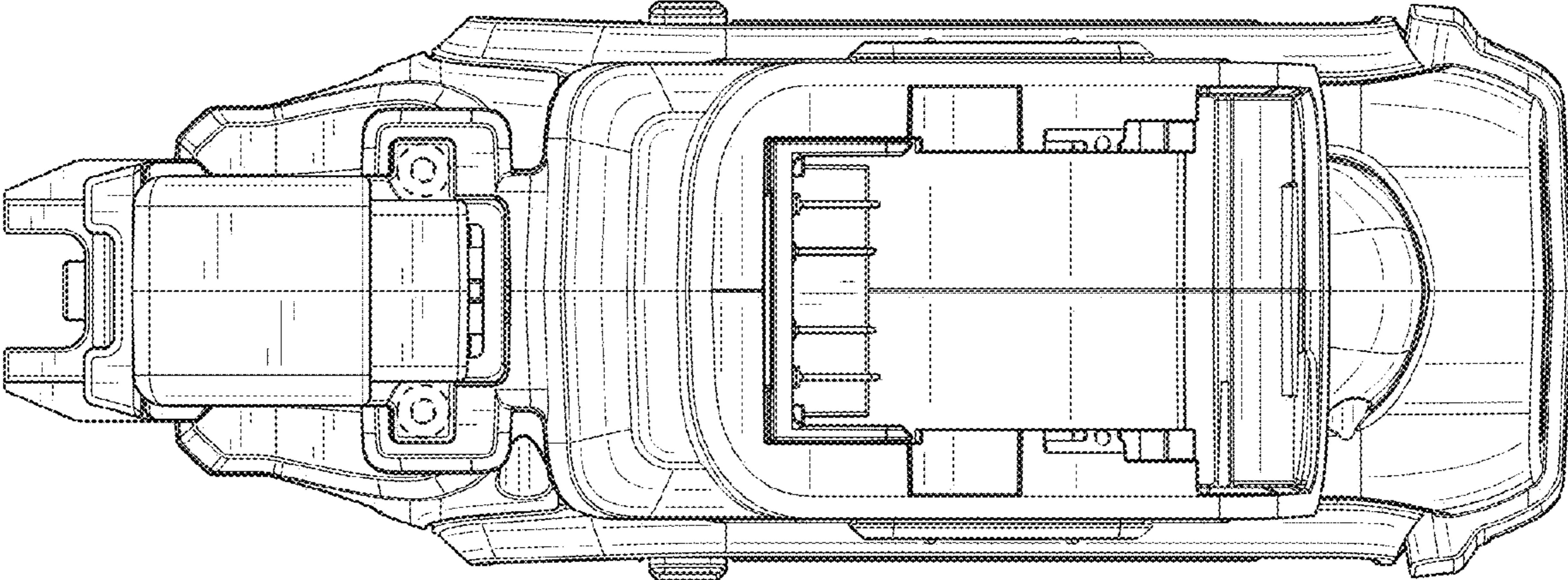


FIG. 8