



US00D901273S

(12) **United States Design Patent** (10) **Patent No.:** **US D901,273 S**  
**Shi** (45) **Date of Patent:** **\*\* Nov. 10, 2020**

(54) **RECIPROCATING SAW**  
(71) Applicant: **BLACK & DECKER INC.**, New Britain, CT (US)  
(72) Inventor: **Windy Shi**, Suzhou (CN)  
(73) Assignee: **Black & Decker Inc.**, New Britain, CT (US)  
(\*\*) Term: **15 Years**

2003/0163924 A1\* 9/2003 Hempe ..... H02K 7/145  
30/388  
2009/0241354 A1\* 10/2009 Zhou ..... B25F 5/02  
30/393  
2011/0107608 A1\* 5/2011 Wattenbach ..... B23D 49/165  
30/394  
2012/0096721 A1\* 4/2012 Sinur ..... B23D 51/16  
30/392  
2014/0047720 A1\* 2/2014 Vitantonio ..... F21V 33/0084  
30/369  
2014/0053420 A1\* 2/2014 Sugino ..... B23D 51/08  
30/392

(Continued)

(21) Appl. No.: **29/645,316**  
(22) Filed: **Apr. 25, 2018**  
(51) **LOC (12) Cl.** ..... **08-03**  
(52) **U.S. Cl.**  
USPC ..... **D8/64**  
(58) **Field of Classification Search**  
USPC ..... D8/61, 62, 64, 65, 66, 67, 68, 69  
CPC ..... B23D 49/10; B23D 49/16; B23D 49/162;  
B23D 46/165; B23D 51/00; B23D 51/08;  
B23D 51/16; B25F 5/02  
See application file for complete search history.

OTHER PUBLICATIONS

Pictures of Porter Cable 20v Max Cordless Reciprocating Tigersaw (PCC670B)—<https://www.portercable.com/products/power-tools/saws/reciprocating-saws/20v-max-cordless-reciprocating-tigersaw-tool-only/pcc670b>—accessed on Aug. 27, 2018.

(Continued)

*Primary Examiner* — Nathan M Johnston  
(74) *Attorney, Agent, or Firm* — Stephen R. Valancius

(57) **CLAIM**

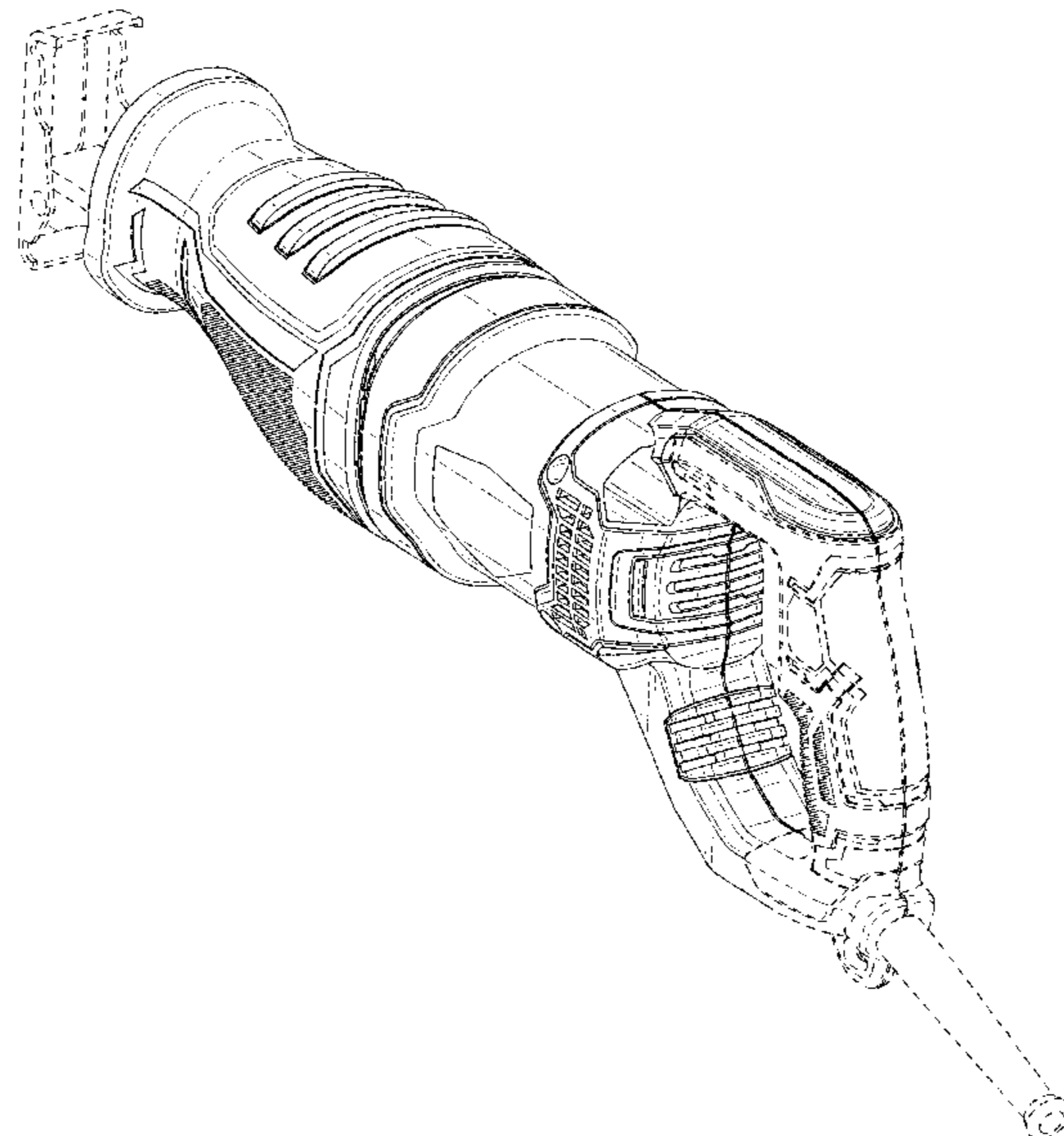
The ornamental design for a reciprocating saw, as shown and described.

**DESCRIPTION**

FIG. 1 is a perspective view of a reciprocating saw showing my new design;  
FIG. 2 is a front view thereof  
FIG. 3 is a rear view thereof;  
FIG. 4 is a right side view thereof;  
FIG. 5 is a left side view thereof;  
FIG. 6 is a top plan view thereof; and,  
FIG. 7 is a bottom plan view thereof.  
In the above drawings, the broken lines and the areas within the broken lines form no part of the claimed design.

(56) **References Cited**  
U.S. PATENT DOCUMENTS  
D468,982 S \* 1/2003 Brazell ..... D8/64  
D479,453 S \* 9/2003 Lind ..... D8/64  
D524,130 S \* 7/2006 Wolf ..... D8/64  
D551,930 S \* 10/2007 Yamada ..... D8/64  
D591,574 S \* 5/2009 DiPasquale ..... D8/64  
D685,242 S \* 7/2013 Vitantonio ..... D8/64  
D705,028 S \* 5/2014 Vitantonio ..... D8/64  
D705,627 S 5/2014 Schoch  
D790,939 S \* 7/2017 Elder ..... D8/64  
D830,146 S \* 10/2018 Croghan ..... D8/64  
D867,843 S \* 11/2019 Itoh ..... D8/64  
D872,551 S \* 1/2020 Clark ..... D8/64  
2003/0051352 A1\* 3/2003 Clark, Jr. .... B23D 51/16  
30/392

**1 Claim, 6 Drawing Sheets**



(56)

**References Cited**

U.S. PATENT DOCUMENTS

2014/0190023 A1\* 7/2014 Vitantonio ..... B23D 49/006  
30/369  
2014/0283394 A1\* 9/2014 Adams ..... B23D 49/162  
30/374  
2014/0360029 A1\* 12/2014 Adams ..... B25F 5/02  
30/392  
2017/0157760 A1\* 6/2017 McAuliffe ..... B23D 49/16  
2017/0361448 A1\* 12/2017 Krupsaw ..... B25F 5/006  
2018/0126470 A1\* 5/2018 Banholzer ..... B23D 49/162  
2019/0375032 A1\* 12/2019 Mikat-Stevens ..... B23D 49/162  
2019/0381586 A1\* 12/2019 Cholst ..... B23D 51/10

OTHER PUBLICATIONS

Pictures of Porter Cable PCE360 7.5 AMP Variable Speed Recip-  
rocating Saw—[https://www.amazon.com/PORTER-CABLE-PCE360-  
Variable-Speed-Reciprocating/dp/B01HCVGMOC](https://www.amazon.com/PORTER-CABLE-PCE360-Variable-Speed-Reciprocating/dp/B01HCVGMOC)—accessed on Aug.  
29, 2018.

\* cited by examiner

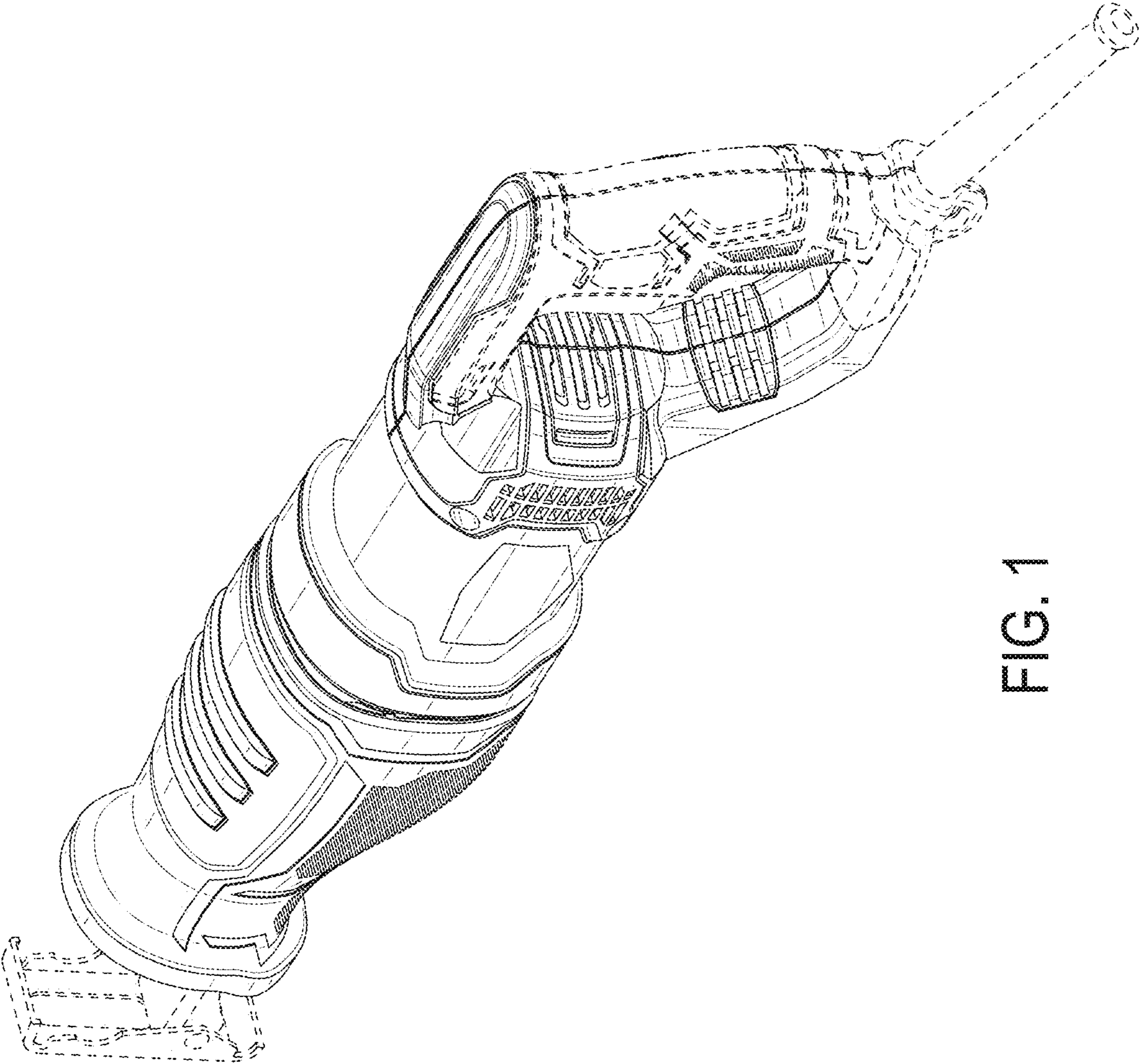


FIG. 1

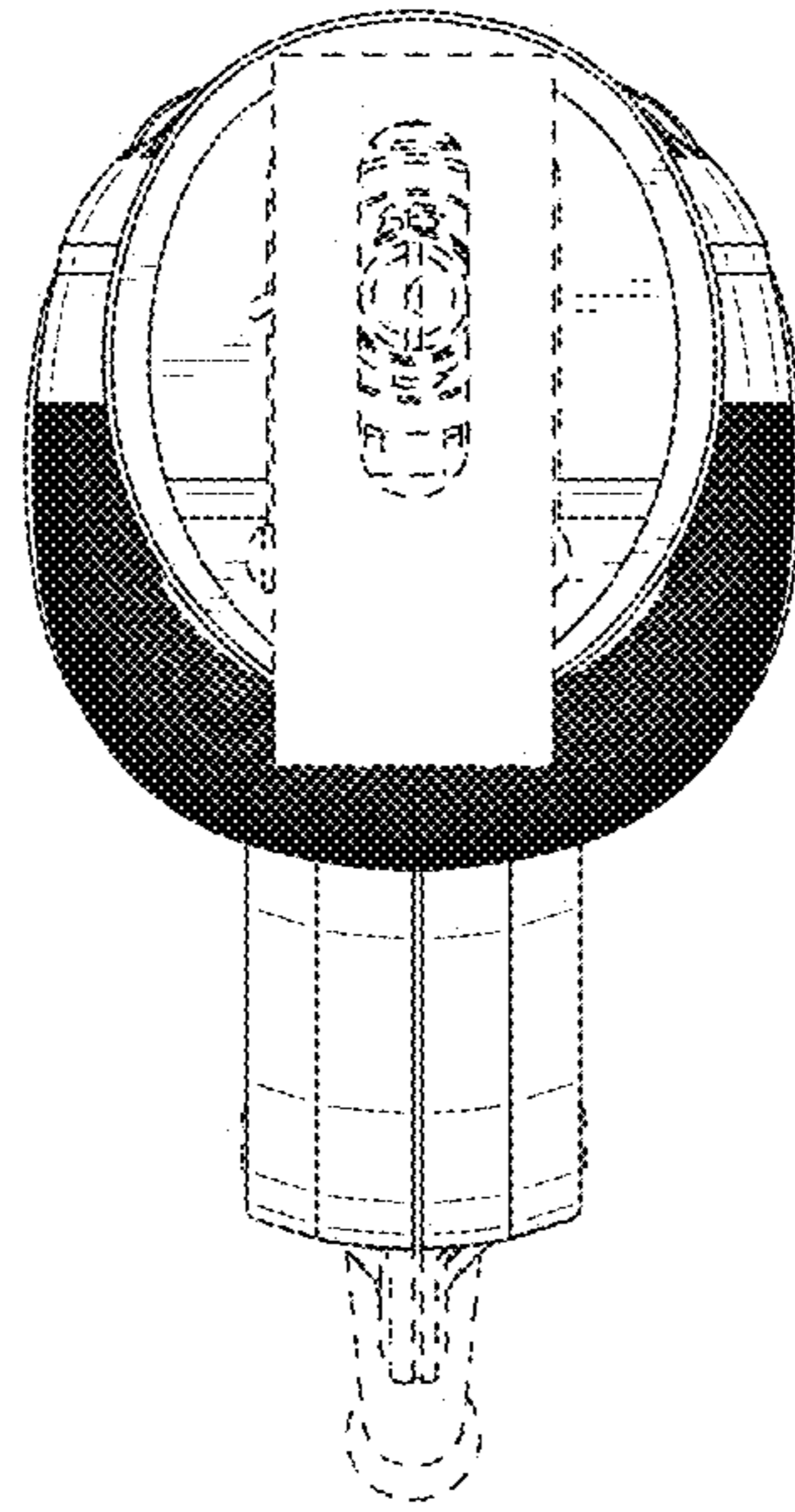


FIG. 2

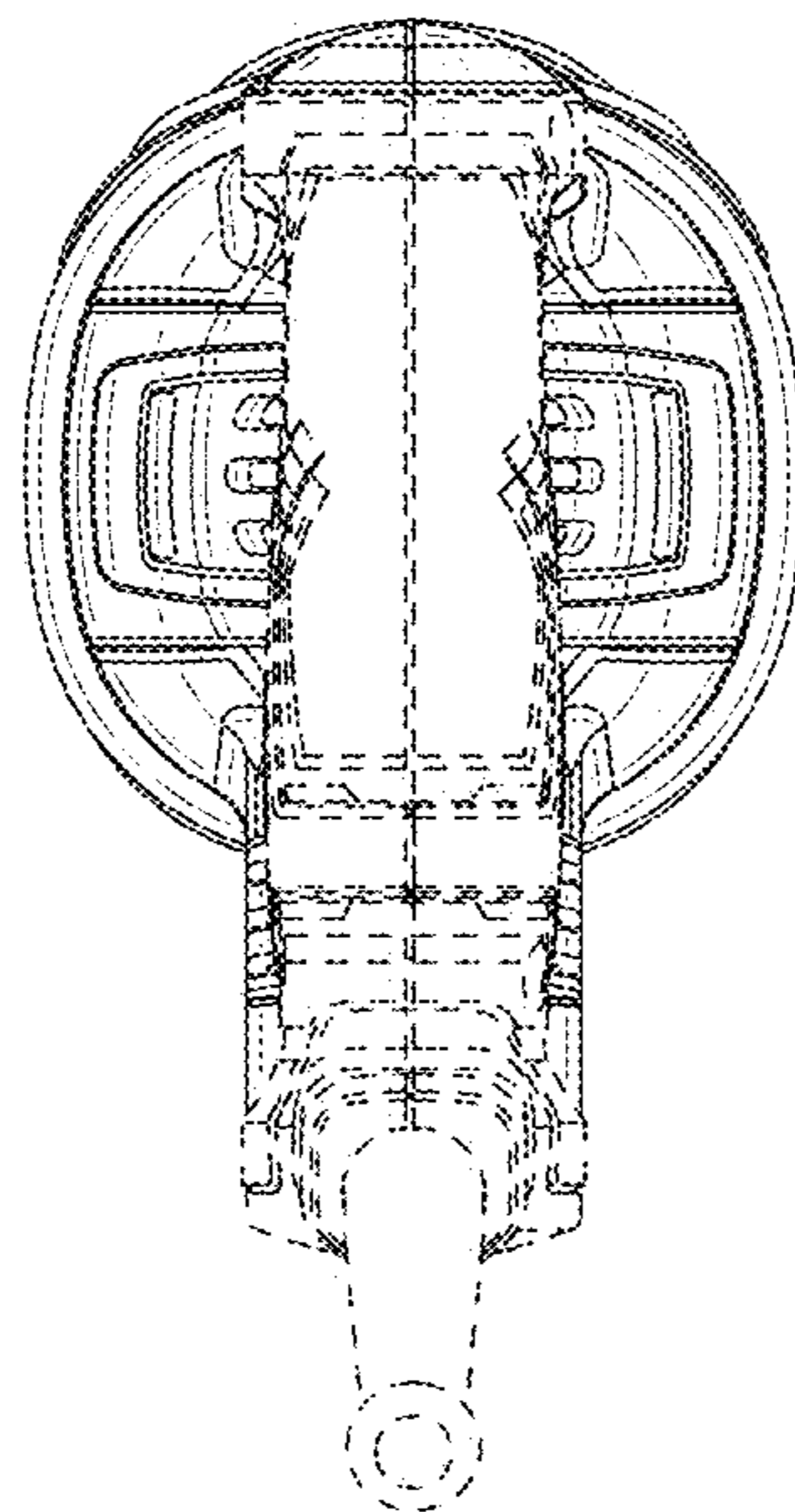


FIG. 3

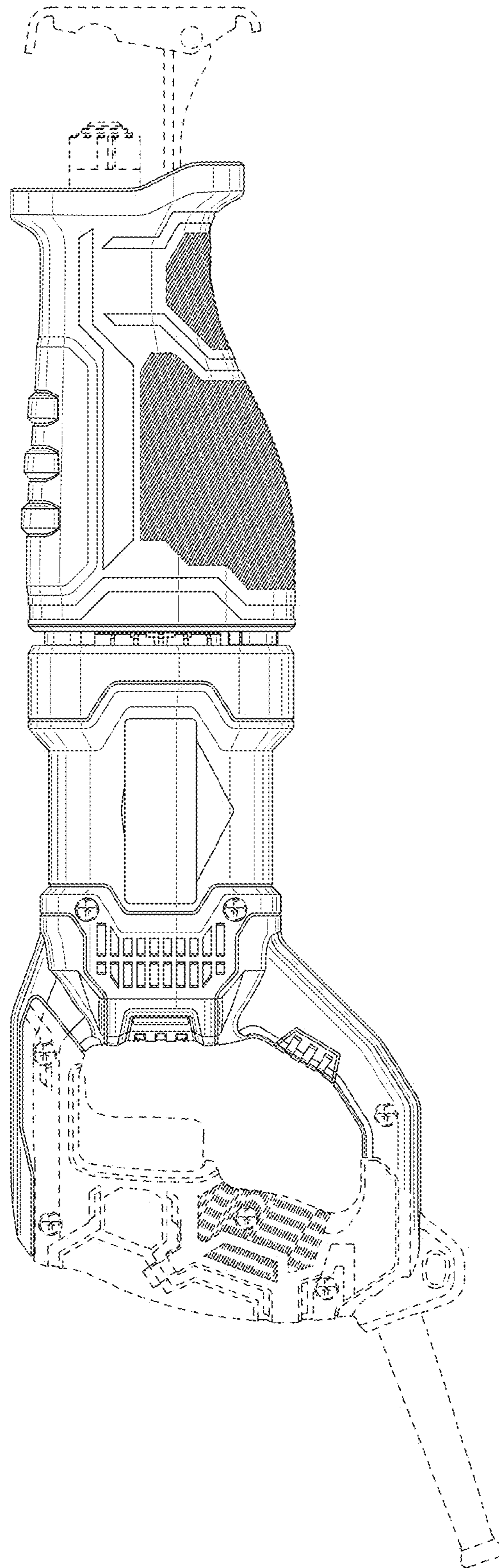


FIG. 4

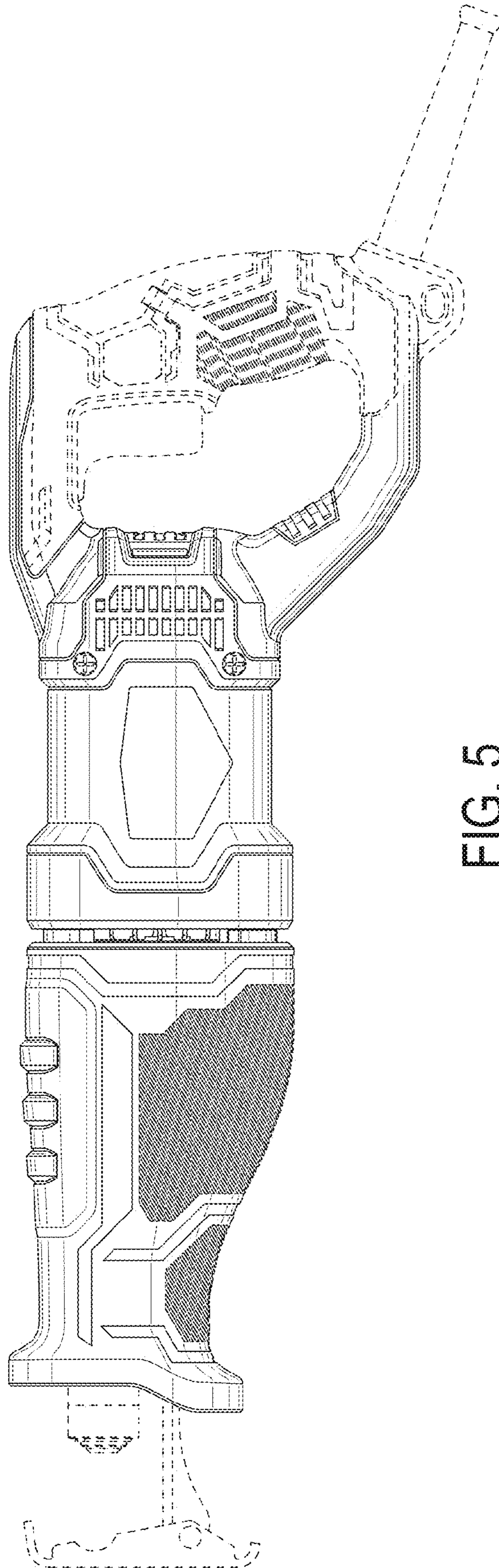


FIG. 5

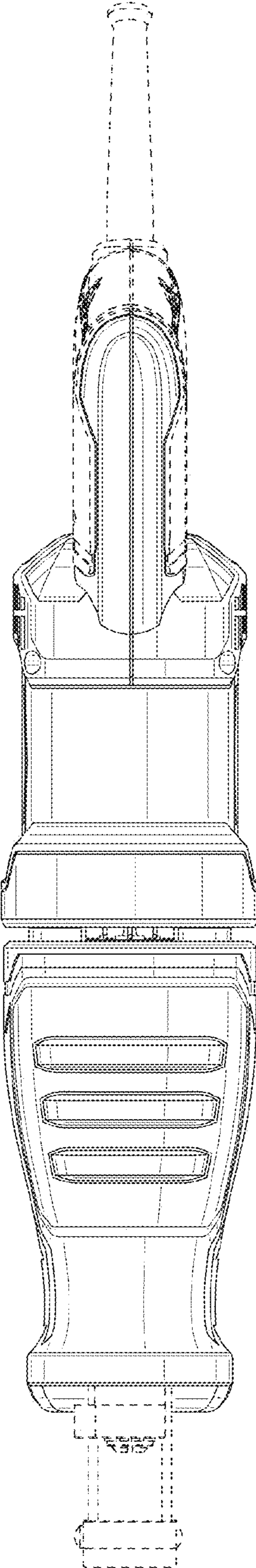


FIG. 6

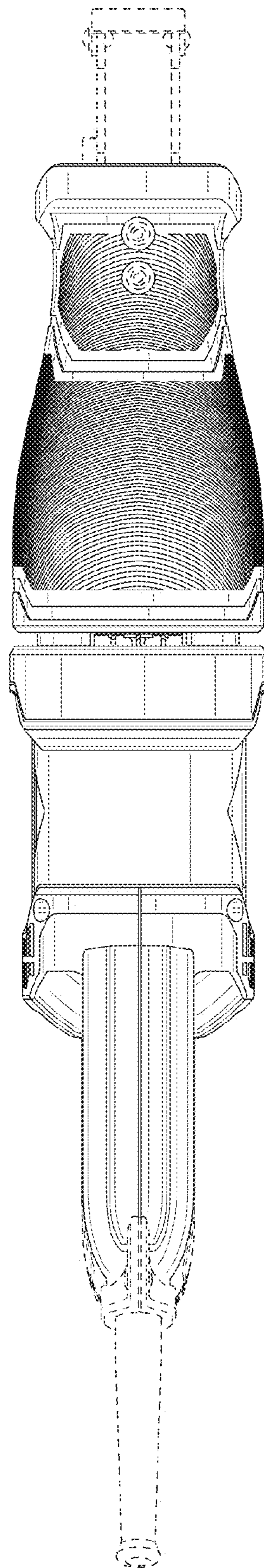


FIG. 7