



US00D901272S

(12) **United States Design Patent** (10) **Patent No.:** **US D901,272 S**  
**Liao** (45) **Date of Patent:** **\*\* Nov. 10, 2020**

(54) **CRIMPING TOOL**

(71) Applicant: **Shenzhenshi Qinbaokeji**  
**Youxiangongsi**, Shenzhen Guangdong  
(CN)

(72) Inventor: **Qingui Liao**, Guangzhou Guangdong  
(CN)

(\*\*) Term: **15 Years**

(21) Appl. No.: **29/743,645**

(22) Filed: **Jul. 23, 2020**

(51) **LOC (12) Cl.** ..... **08-05**

(52) **U.S. Cl.**  
USPC ..... **D8/52**

(58) **Field of Classification Search**  
USPC ..... D8/52, 54, 55, 56, 58  
CPC .. H01R 43/042; H01R 43/0421; B25B 27/146  
See application file for complete search history.

(56) **References Cited**

U.S. PATENT DOCUMENTS

D544,323 S 6/2007 Hutchfield  
D628,036 S \* 11/2010 Steiner ..... D8/52  
D686,052 S \* 7/2013 Steiner ..... D8/52

D796,927 S \* 9/2017 Konnecke ..... D8/52  
2004/0144154 A1 \* 7/2004 Steiner ..... B21D 39/04  
72/409.19  
2016/0136795 A1 \* 5/2016 Hofmann ..... B25B 27/10  
29/243.519

\* cited by examiner

*Primary Examiner* — Deanna L Pratt

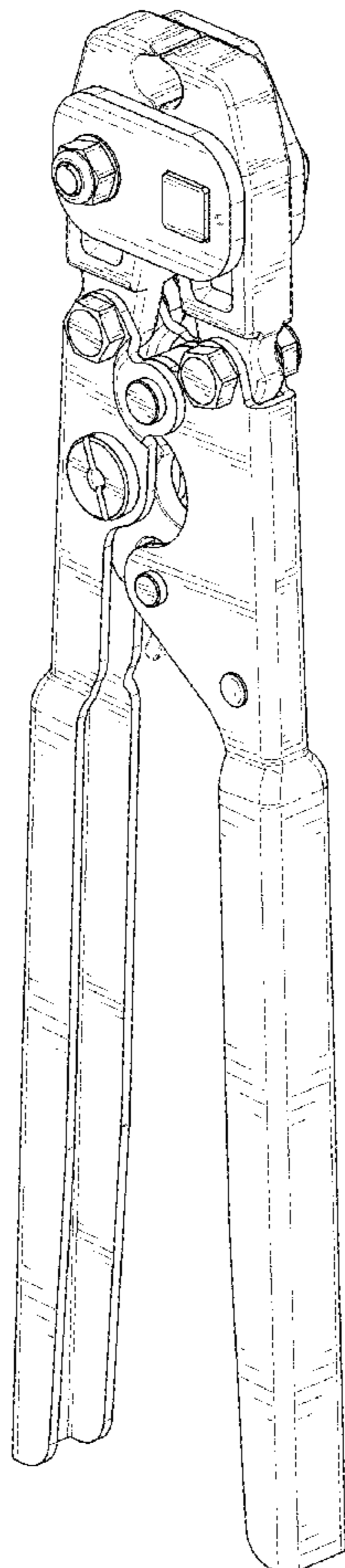
(57) **CLAIM**

The ornamental design for a crimping tool, as shown and described.

**DESCRIPTION**

FIG. 1 is a front and top perspective view of a crimping tool, showing my new design;  
FIG. 2 is a rear and bottom perspective view thereof;  
FIG. 3 is a front elevational view thereof;  
FIG. 4 is a rear elevational view thereof;  
FIG. 5 is a left side devotional view thereof;  
FIG. 6 is a right side elevational view thereof;  
FIG. 7 is a top plan view thereof; and,  
FIG. 8 is a bottom plan view thereof.  
The broken lines in the figures illustrate portions of the crimping tool that form no part of the claimed design.

**1 Claim, 8 Drawing Sheets**



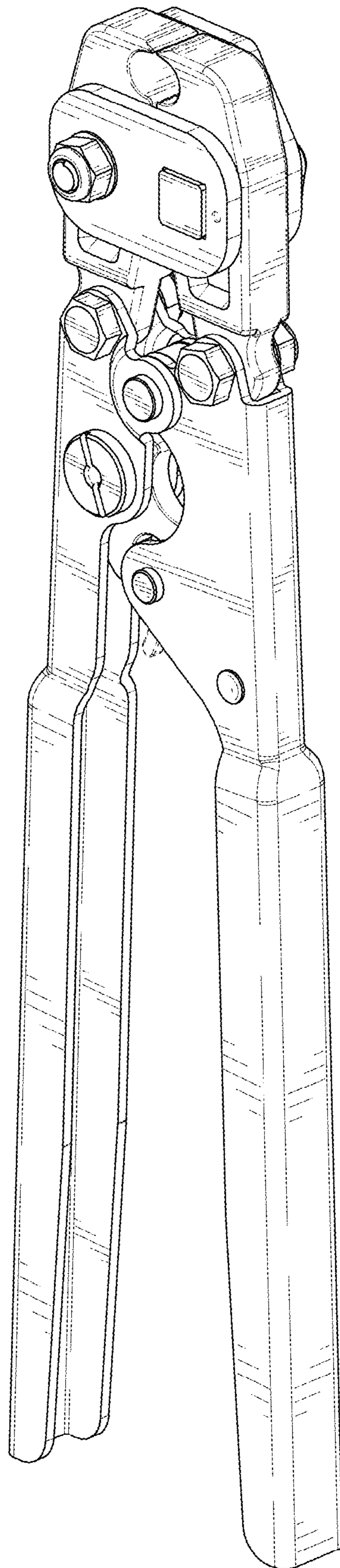


FIG. 1

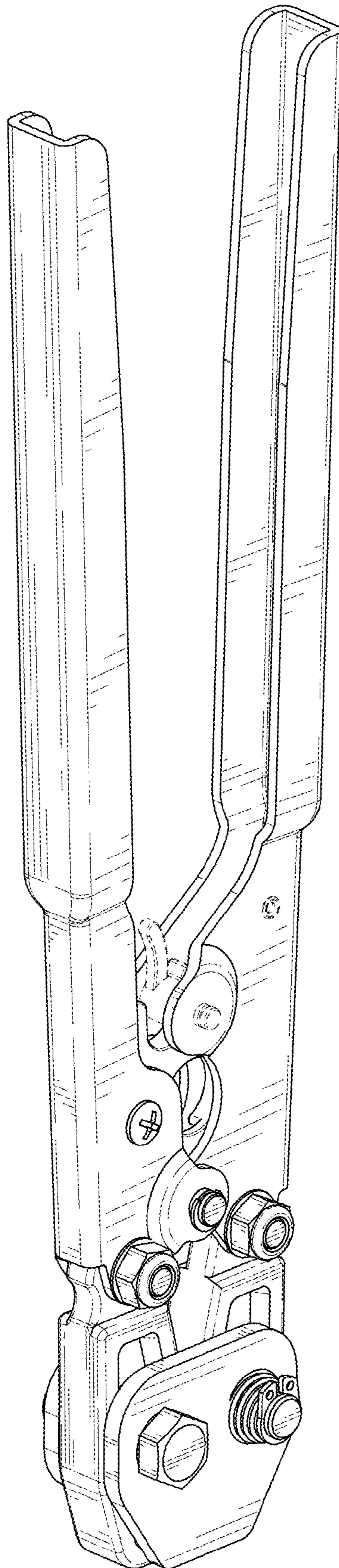


FIG. 2

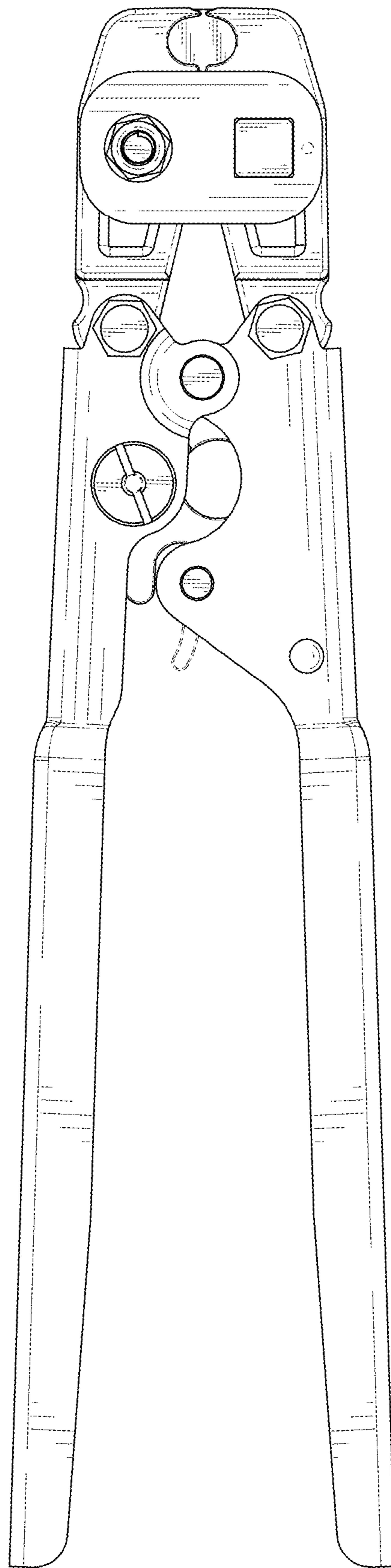


FIG. 3

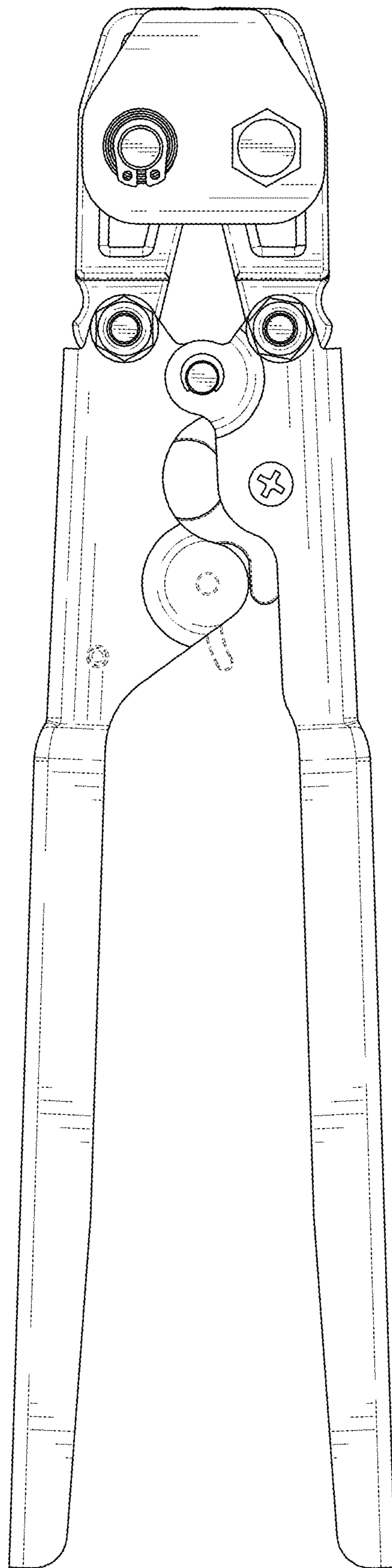


FIG. 4

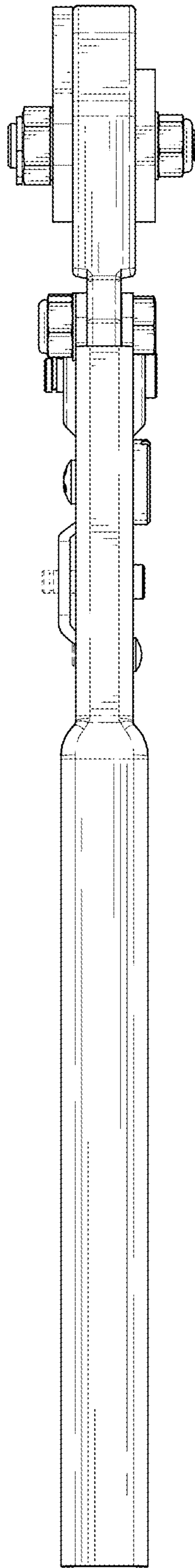


FIG. 5

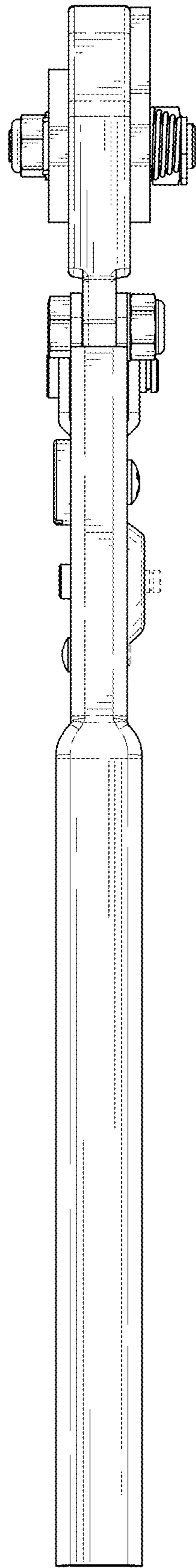


FIG. 6

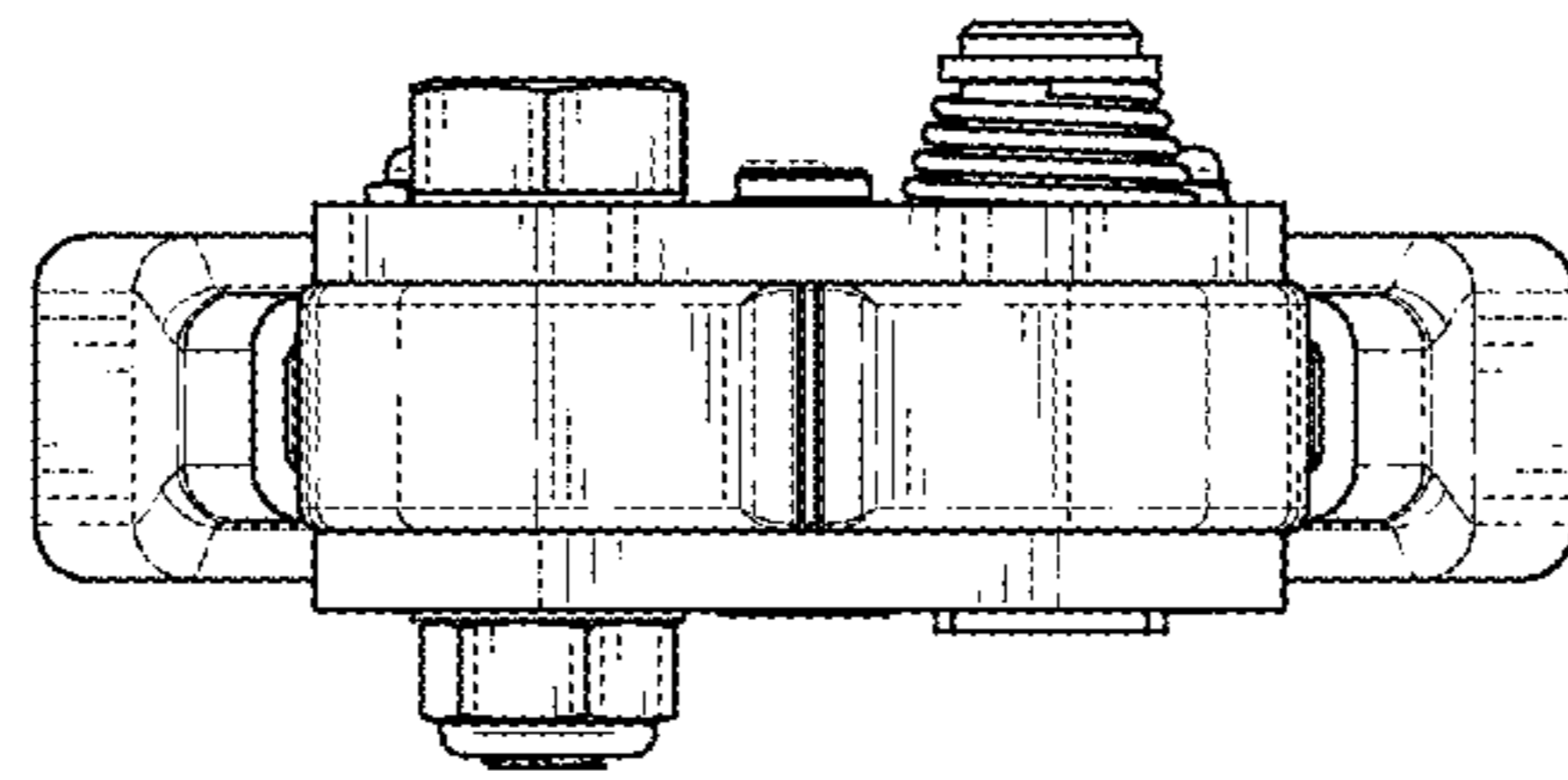


FIG. 7



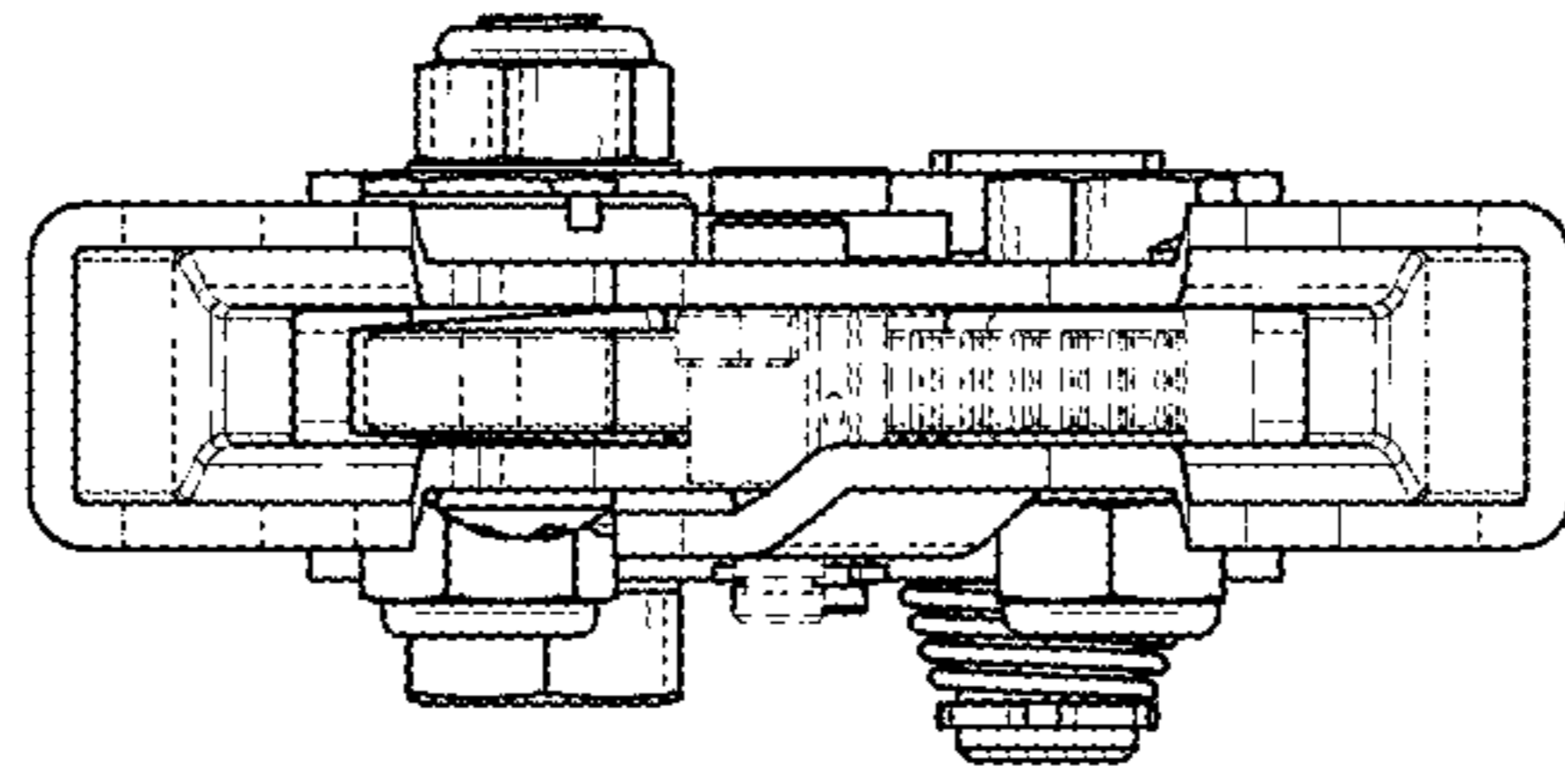


FIG. 8