



US00D901269S

(12) **United States Design Patent**  
**Liao**

(10) **Patent No.:** **US D901,269 S**

(45) **Date of Patent:** **\*\* Nov. 10, 2020**

(54) **CRIMPING TOOL**

4,719,789 A \* 1/1988 Wiebe ..... H01R 43/042  
29/751

(71) Applicant: **Shenzhenshi Qinbaokeji**  
**Youxiangongsi**, Shenzhen Guangdong  
(CN)

D544,323 S 6/2007 Hutchfield  
D828,738 S \* 9/2018 Constantine ..... D8/52

\* cited by examiner

(72) Inventor: **Qingui Liao**, Guangzhou Guangdong  
(CN)

*Primary Examiner* — Deanna L Pratt

(\*\*) Term: **15 Years**

(57) **CLAIM**

(21) Appl. No.: **29/741,815**

The ornamental design for a crimping tool, as shown and described.

(22) Filed: **Jul. 16, 2020**

(51) **LOC (12) Cl.** ..... **08-05**

(52) **U.S. Cl.**  
USPC ..... **D8/52**

(58) **Field of Classification Search**  
USPC ..... D8/52, 54, 55, 56, 58  
CPC .. H01R 43/042; H01R 43/0421; B25B 27/146  
See application file for complete search history.

**DESCRIPTION**

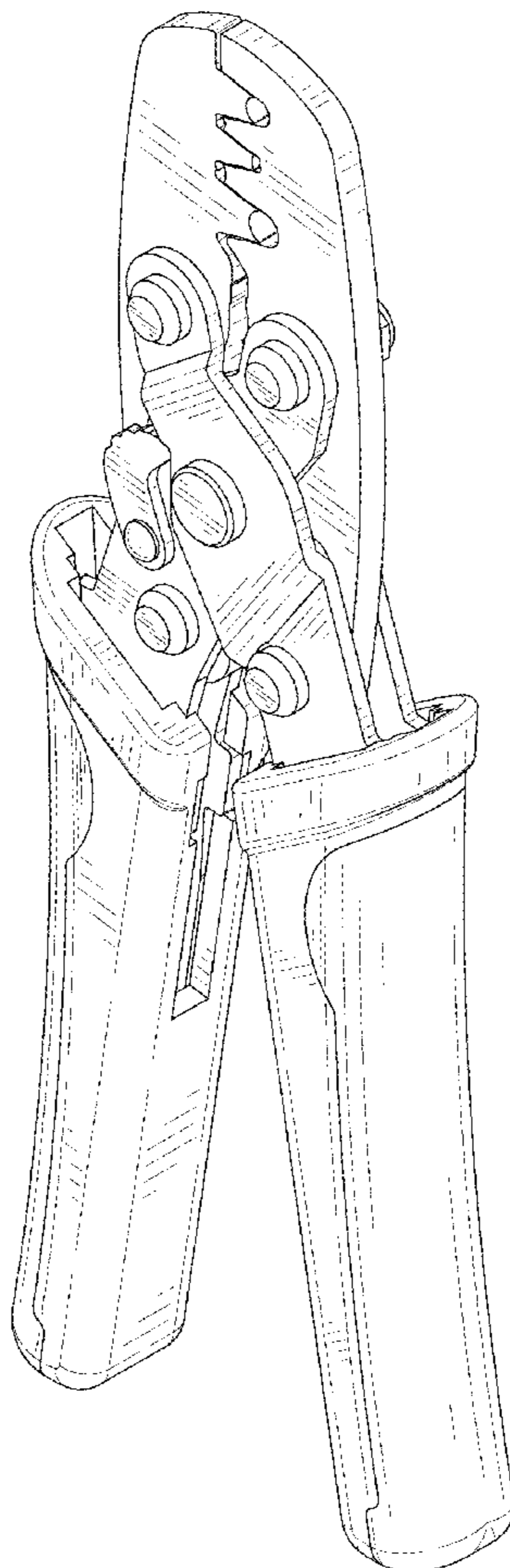
FIG. 1 is a front and top perspective view of a crimping tool, showing my new design;  
FIG. 2 is a rear and bottom perspective view thereof;  
FIG. 3 is a front elevational view thereof;  
FIG. 4 is a rear elevational view thereof;  
FIG. 5 is a left side devotional view thereof;  
FIG. 6 is a right side elevational view thereof;  
FIG. 7 is a top plan view thereof; and,  
FIG. 8 is a bottom plan view thereof.  
The broken lines in the figures illustrate portions of the crimping tool that form no part of the claimed design.

(56) **References Cited**

**U.S. PATENT DOCUMENTS**

D245,752 S \* 9/1977 Wiener ..... D8/52  
4,630,462 A \* 12/1986 Wiener ..... H01R 43/042  
29/751

**1 Claim, 8 Drawing Sheets**



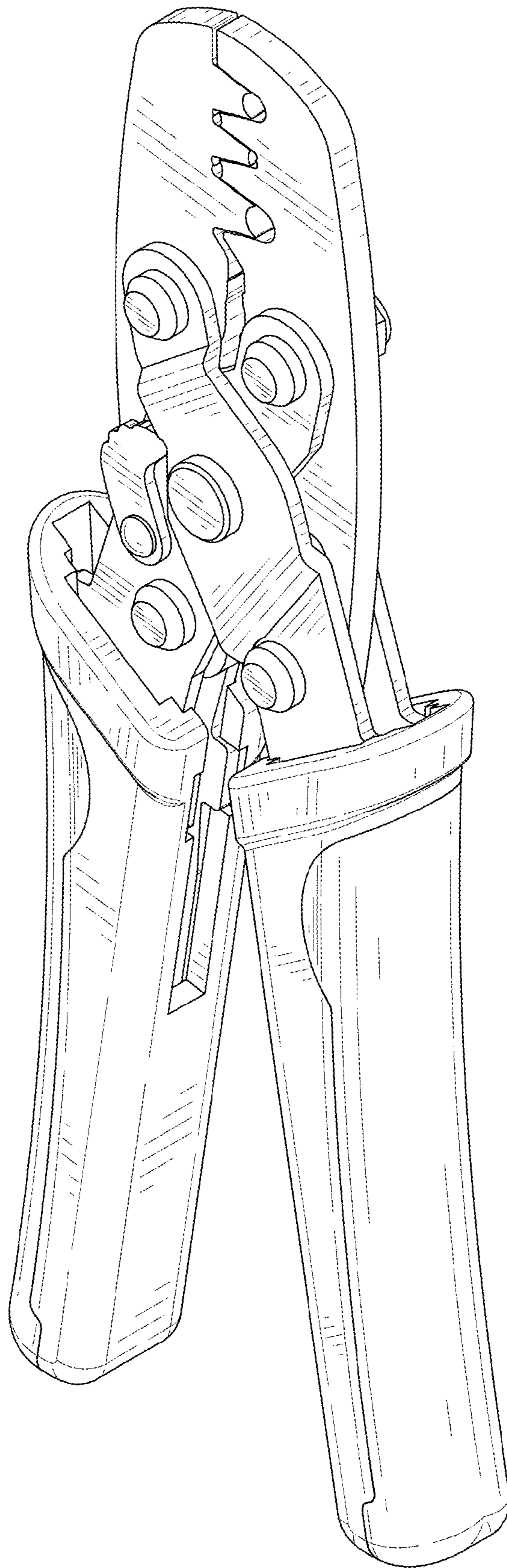


FIG. 1

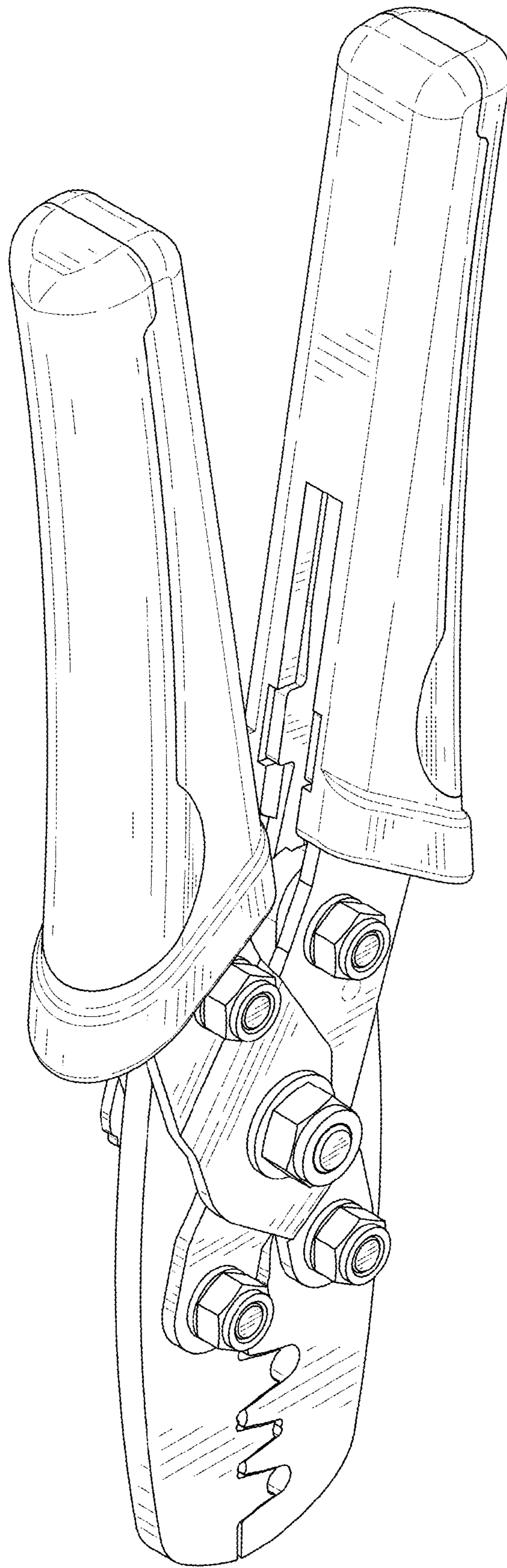


FIG. 2

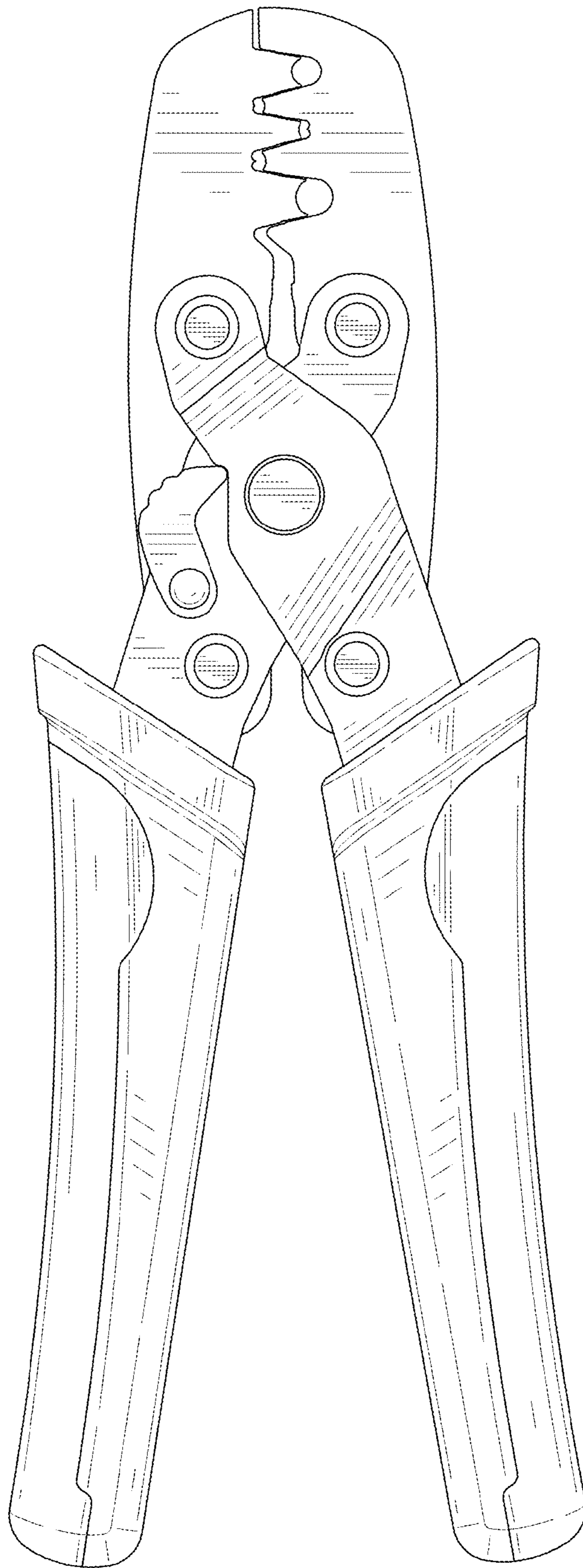


FIG. 3

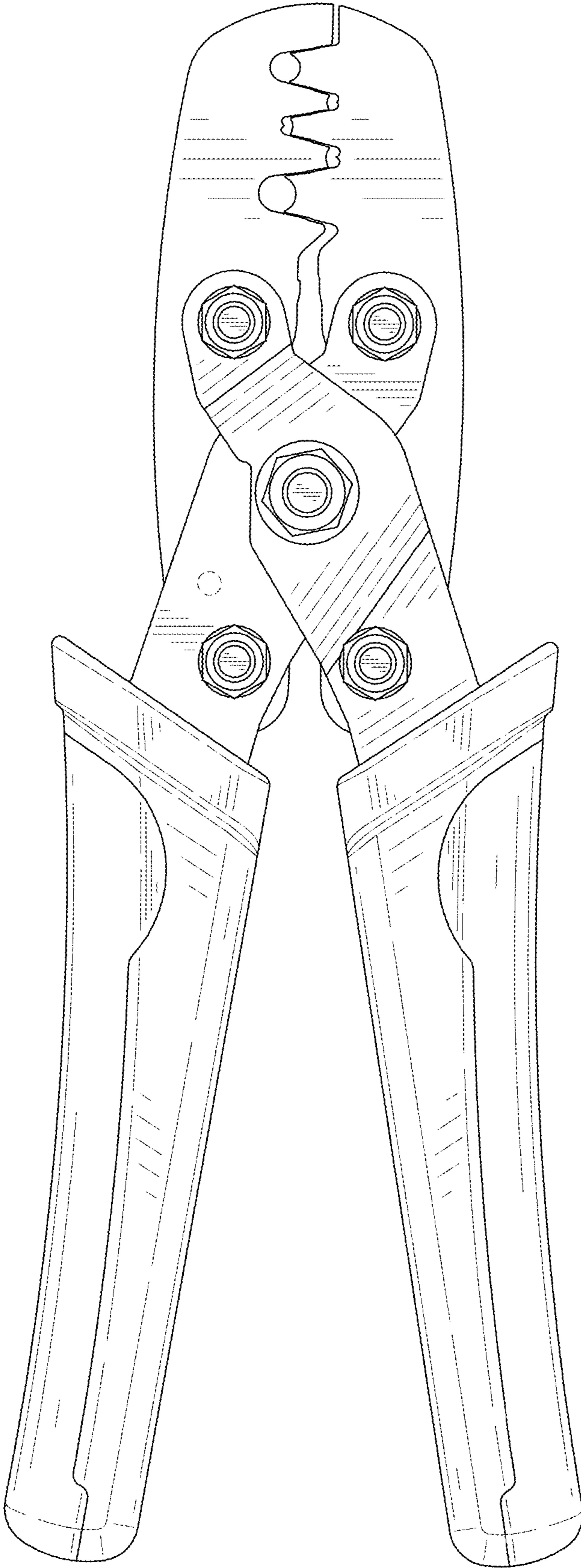


FIG. 4

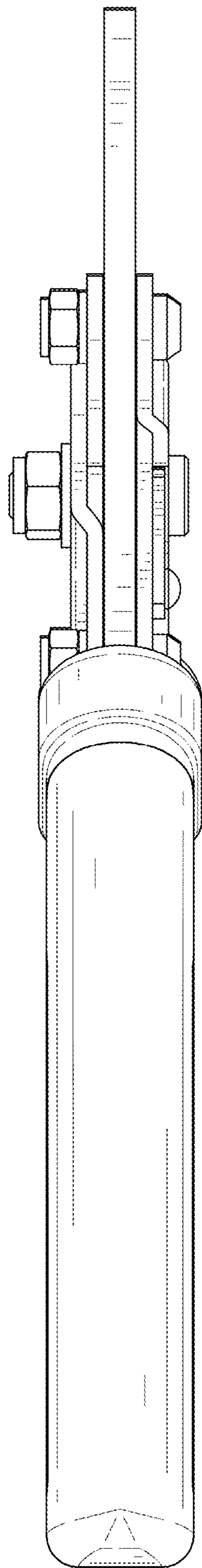


FIG. 5

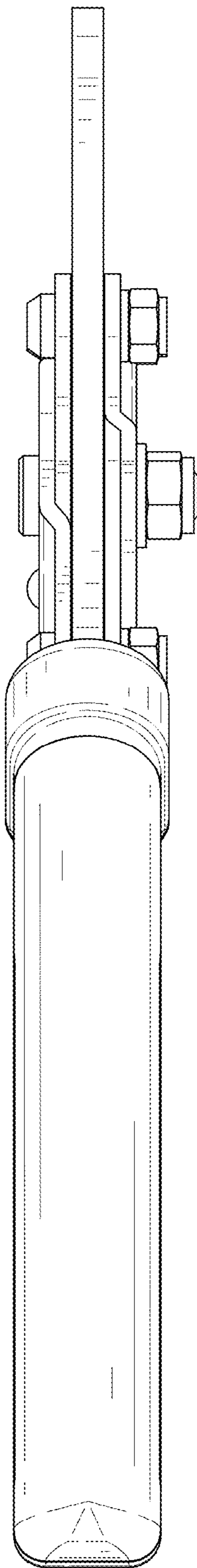


FIG. 6

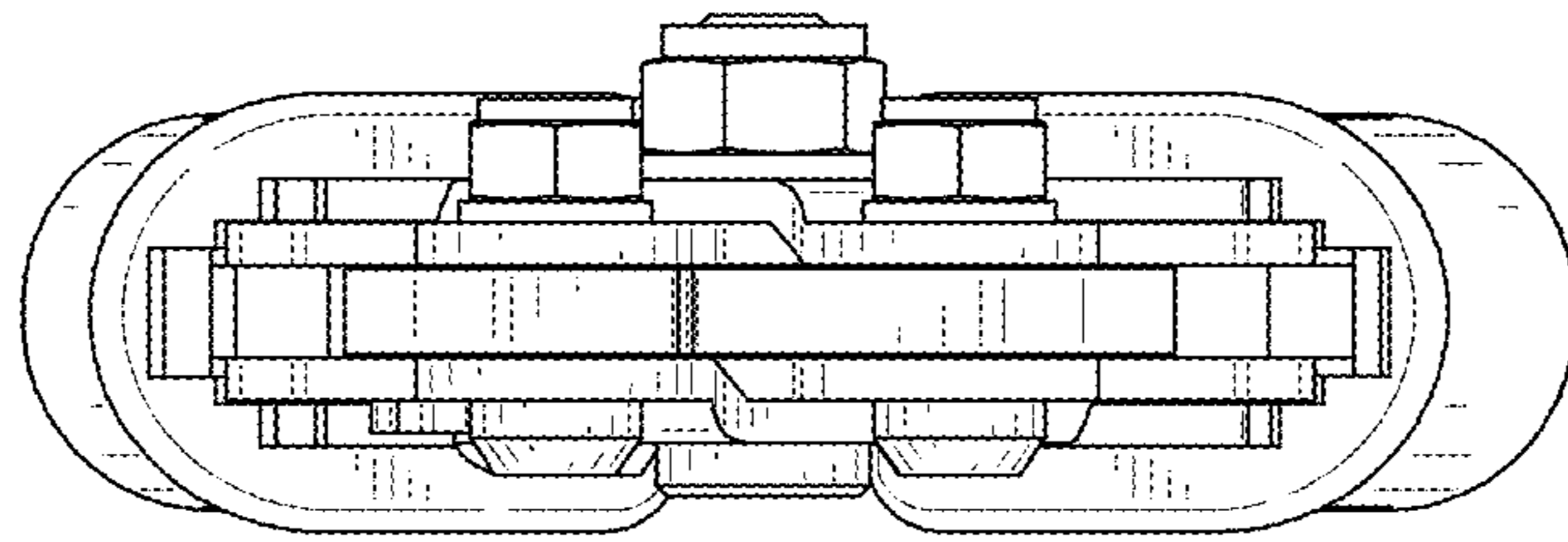


FIG. 7



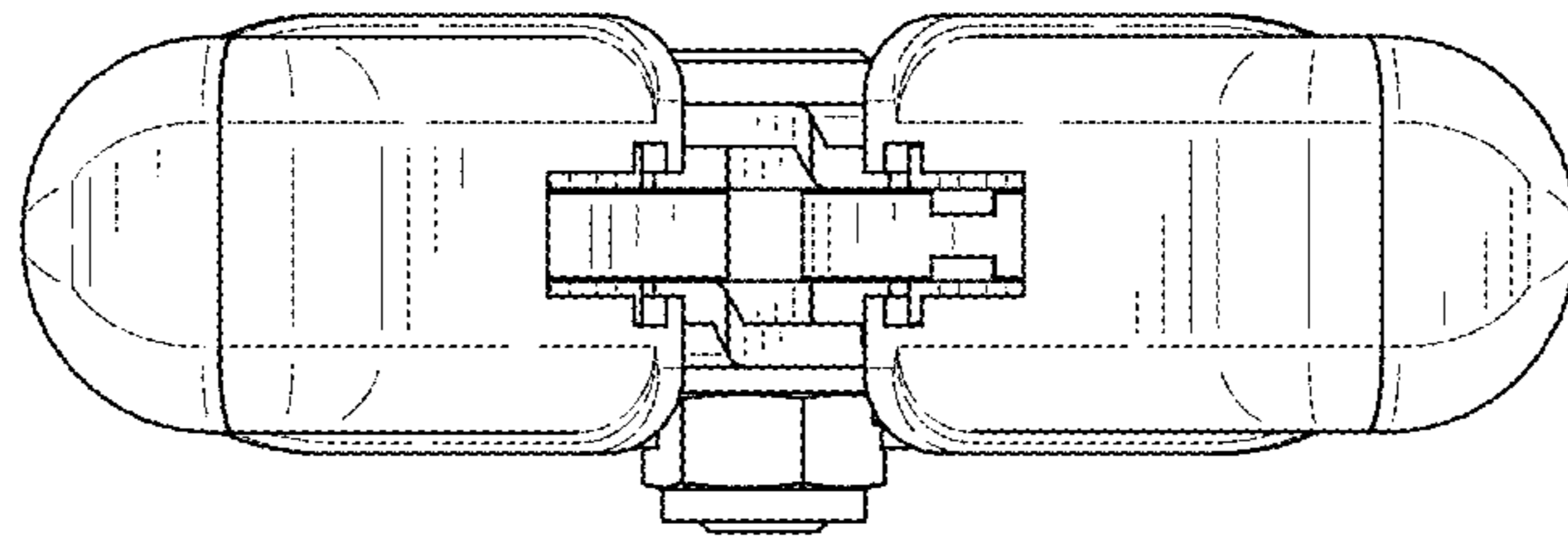


FIG. 8