



US00D901267S

(12) **United States Design Patent**
Yan

(10) **Patent No.:** **US D901,267 S**

(45) **Date of Patent:** **** Nov. 10, 2020**

(54) **HAND-OPERATED AUTOMOTIVE REPAIR TOOL**

(71) Applicant: **SHENZHEN XINQI CHUANGWEI E-COMMERCE CO., LTD.**, Shenzhen (CN)

(72) Inventor: **Fang Yan**, Shenzhen (CN)

(73) Assignee: **SHENZHEN XINQI CHUANGWEI E-COMMERCE CO., LTD.**, Shenzhen (CN)

(**) Term: **15 Years**

(21) Appl. No.: **29/737,685**

(22) Filed: **Jun. 11, 2020**

(51) **LOC (12) Cl.** **08-05**

(52) **U.S. Cl.**
USPC **D8/51**

(58) **Field of Classification Search**
USPC D8/14, 51; D34/28, 34
CPC B21D 1/06; B21D 1/12; Y10S 72/705; B25B 11/007; B60J 1/005
See application file for complete search history.

(56) **References Cited**

U.S. PATENT DOCUMENTS

D332,380	S	*	1/1993	Campfield, Jr.	D8/51
D336,227	S	*	6/1993	Campfield, Jr.	D8/51
D337,929	S	*	8/1993	Campfield, Jr.	D8/51
D459,958	S	*	7/2002	Smith	D8/14
6,722,179	B1	*	4/2004	Ventura	B21D 1/06 72/454
6,874,347	B2	*	4/2005	Meichtry	B21D 1/06 72/390.5

6,964,186	B1	*	11/2005	Strasser	B21D 1/06 72/342.8
7,993,121	B1	*	8/2011	Chan	B29C 73/025 425/13
8,516,875	B1	*	8/2013	Chan	B21D 1/06 72/457
9,079,715	B2	*	7/2015	Finck	B65G 7/12
10,214,257	B1	*	2/2019	Viola	B25B 11/005
D860,741	S		9/2019	Yang		
D860,742	S		9/2019	Yang		
D878,885	S	*	3/2020	Lin	D8/51
D879,570	S	*	3/2020	Lin	D8/51
D891,894	S	*	8/2020	Lin	D8/71

* cited by examiner

Primary Examiner — Deanna L Pratt

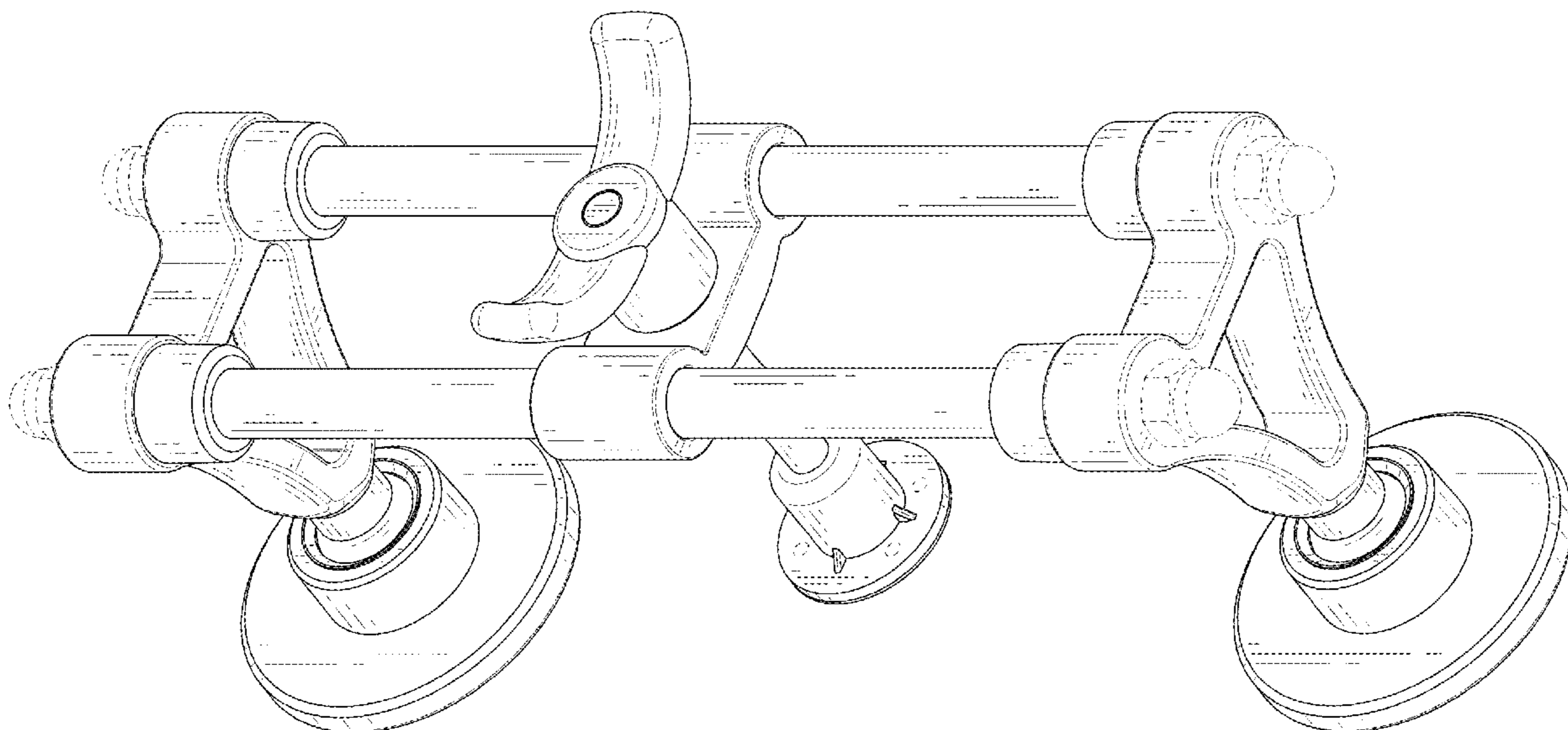
(57) **CLAIM**

The ornamental design for a hand-operated automotive repair tool, as shown and described.

DESCRIPTION

FIG. 1 is a perspective view of a hand-operated automotive repair tool showing my new design; FIG. 2 is another perspective view thereof; FIG. 3 is a front elevational view thereof; FIG. 4 is a rear elevational view thereof; FIG. 5 is a left side elevational view thereof; FIG. 6 is a right side elevational view thereof; FIG. 7 is a top plan view thereof; and, FIG. 8 is a bottom plan view thereof. The broken lines in the drawings depict portions of the hand-operated automotive repair tool that form no part of the claimed design.

1 Claim, 8 Drawing Sheets



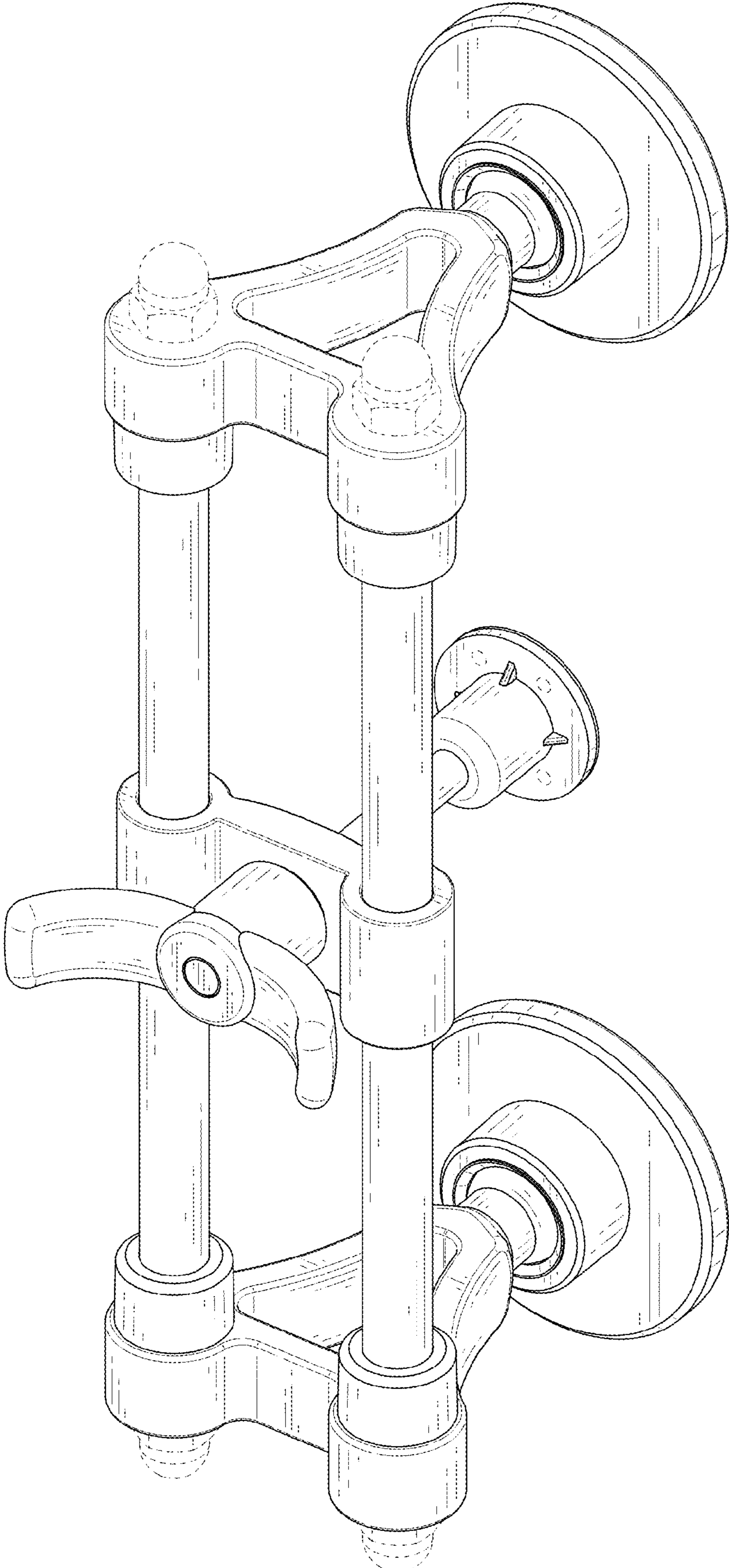


FIG. 1

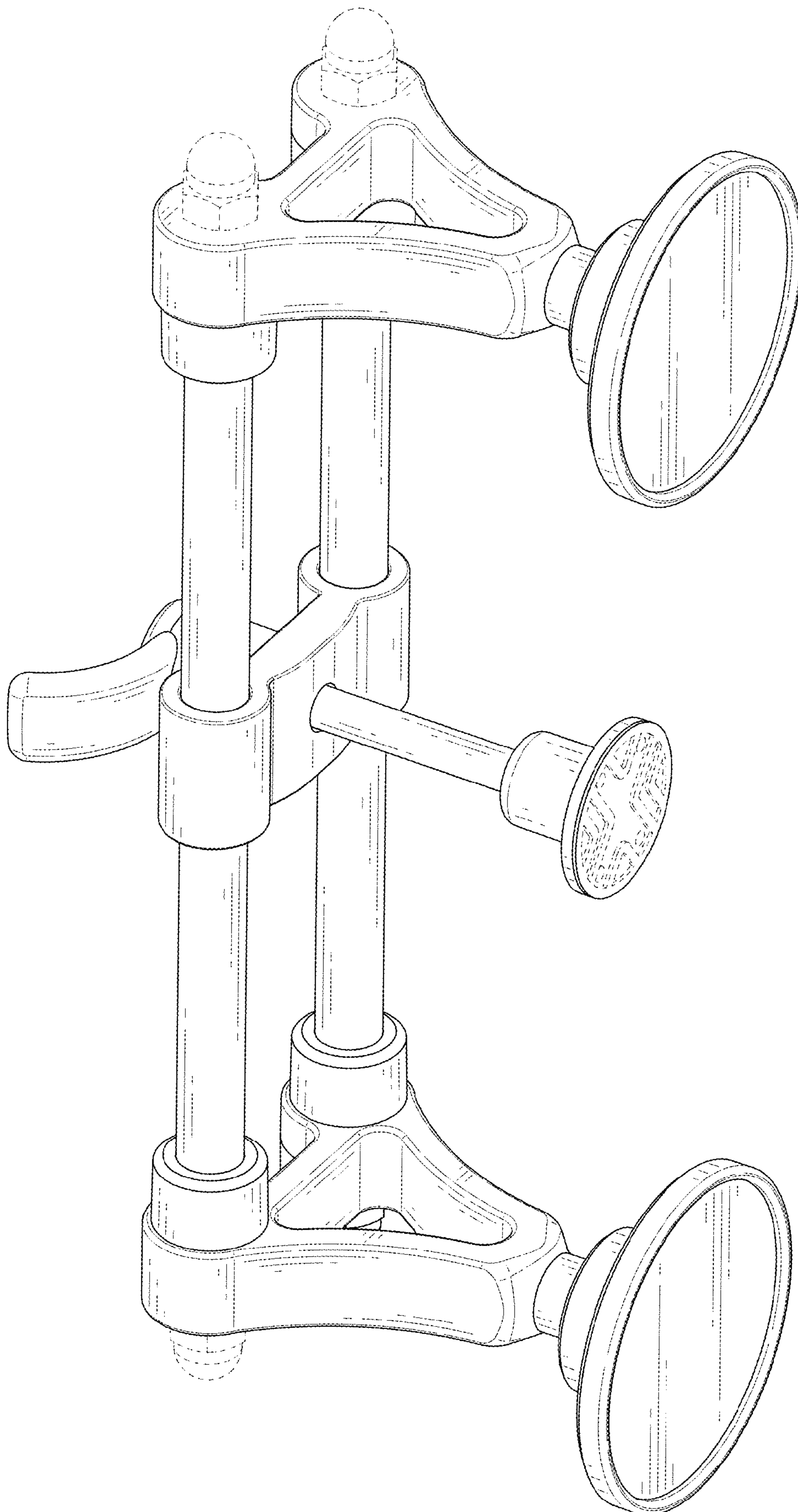


FIG. 2

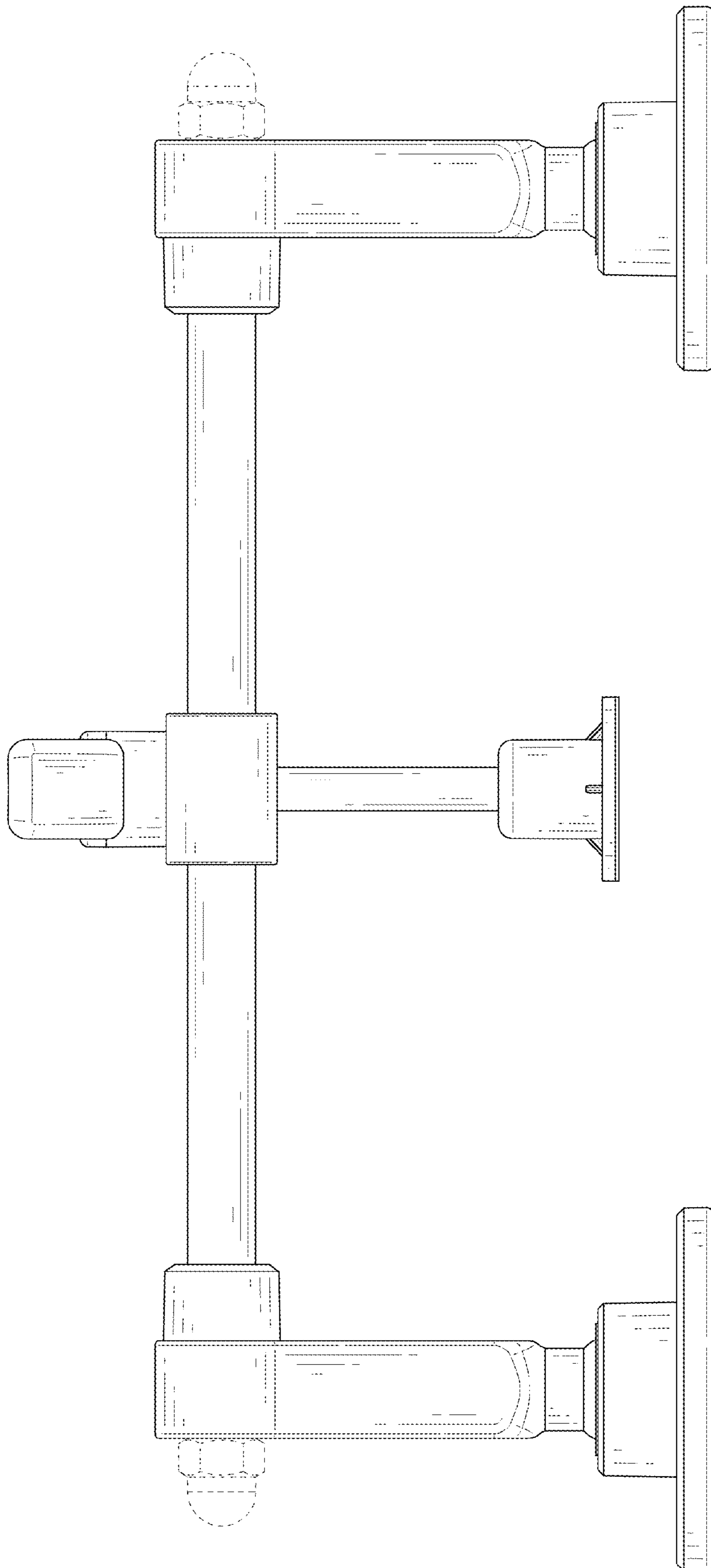


FIG. 3

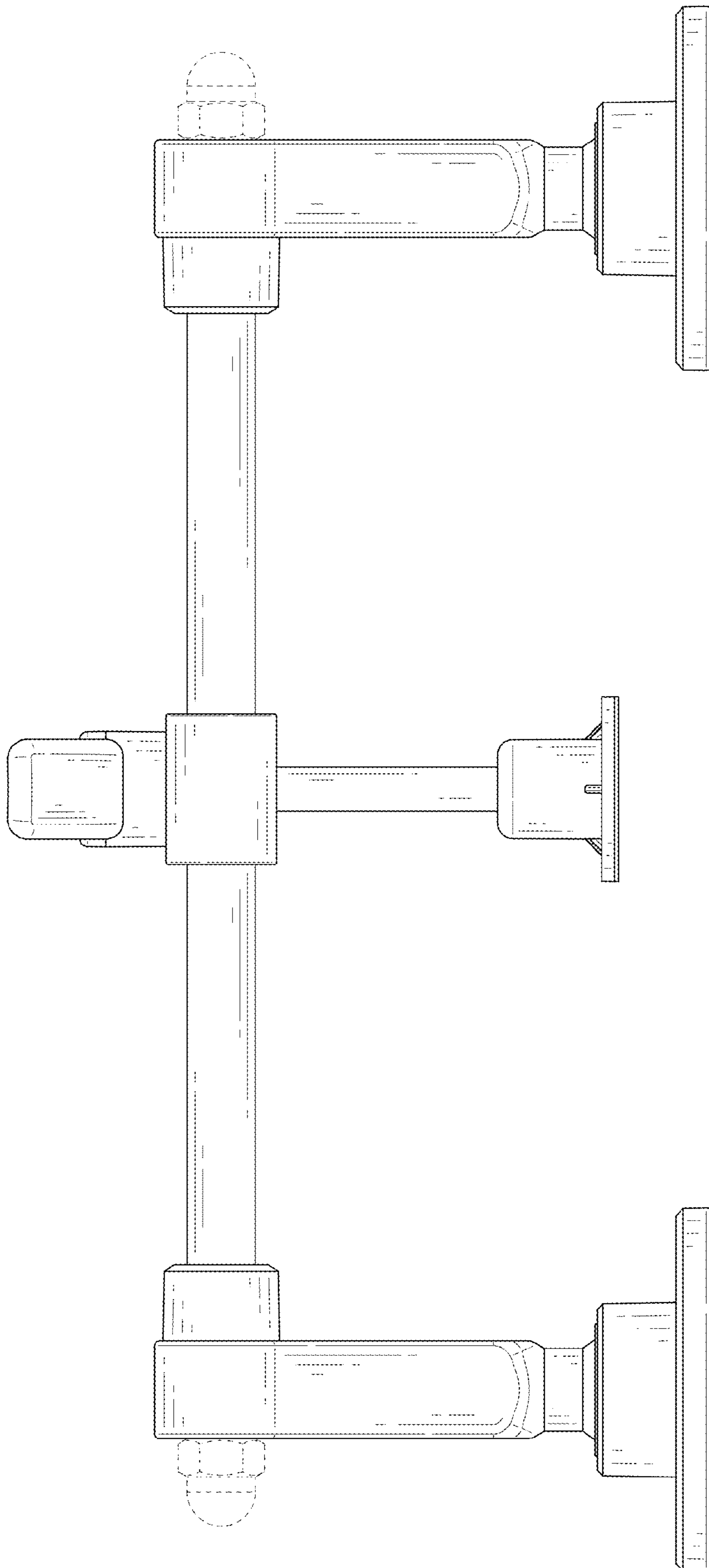


FIG. 4

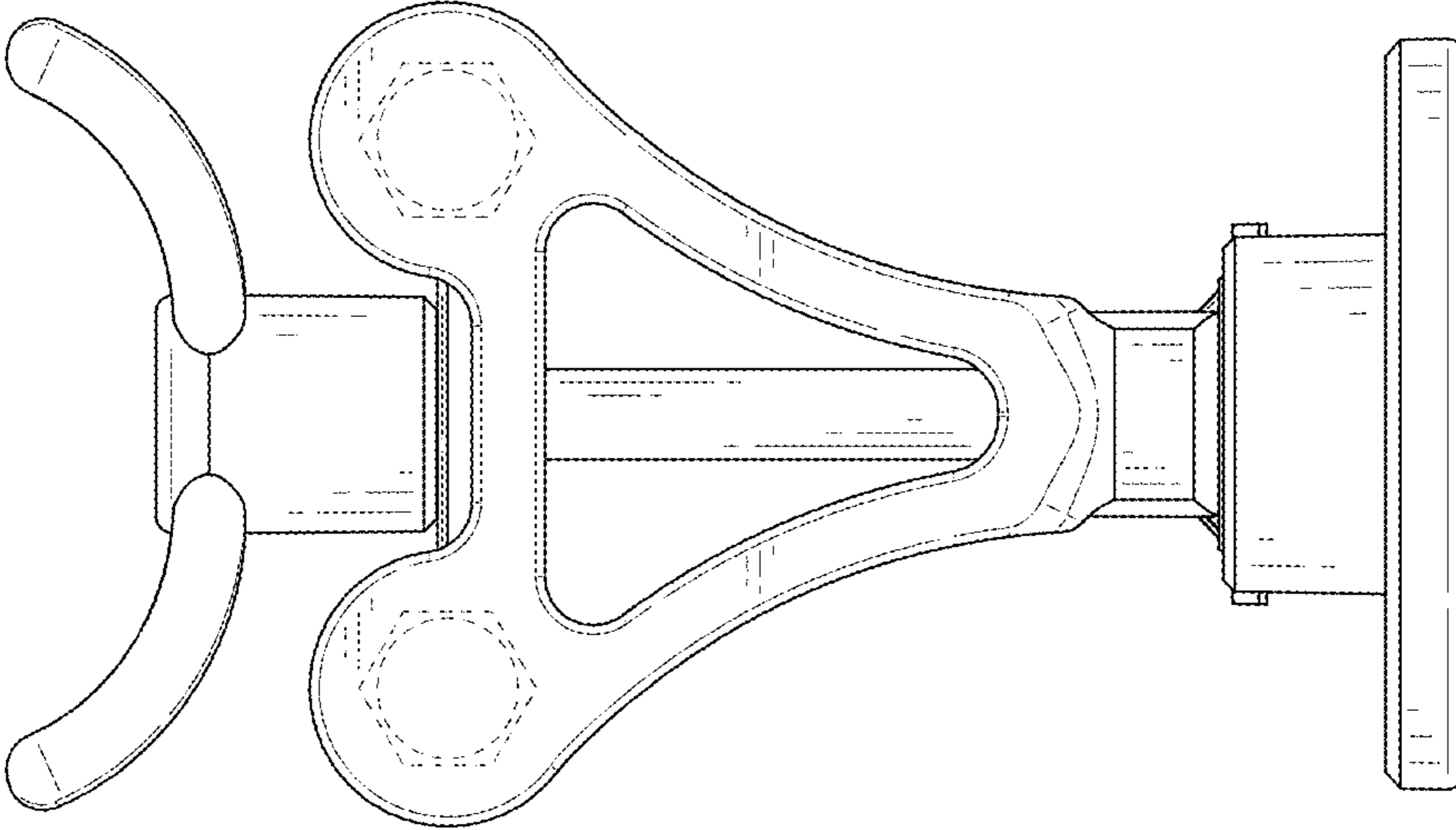


FIG. 5

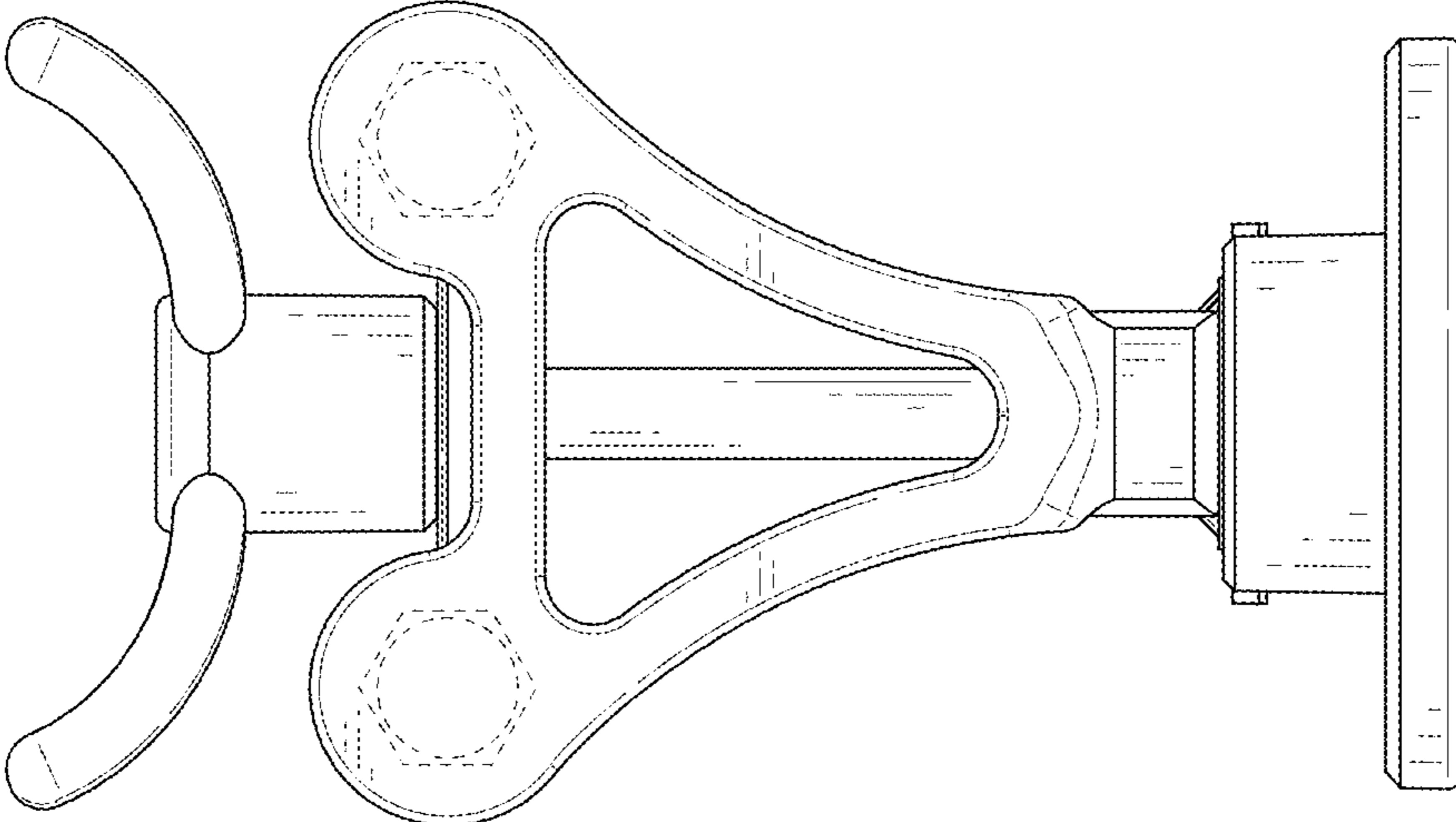


FIG. 6

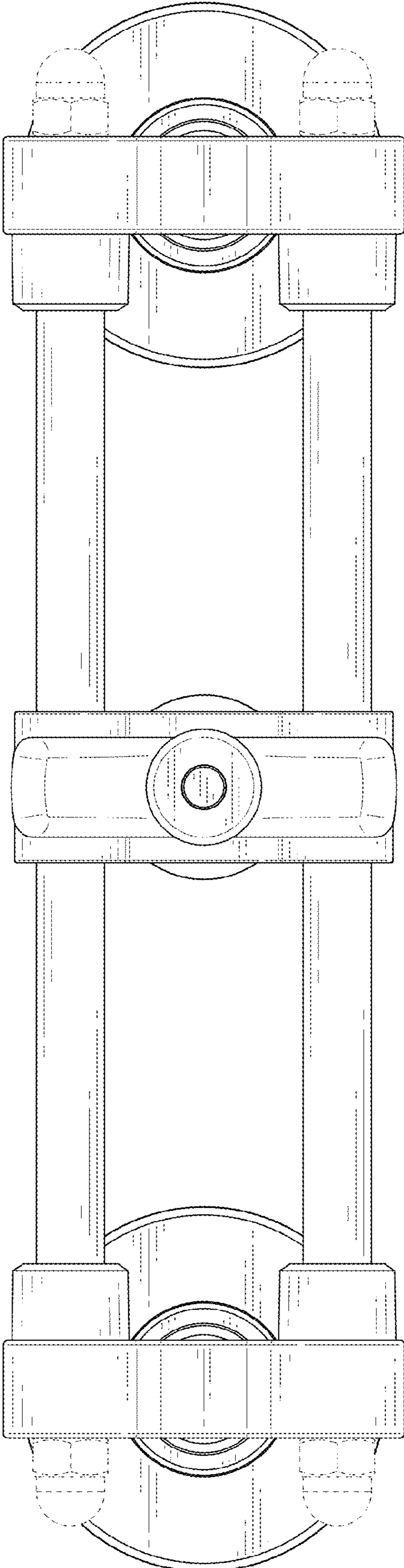


FIG. 7

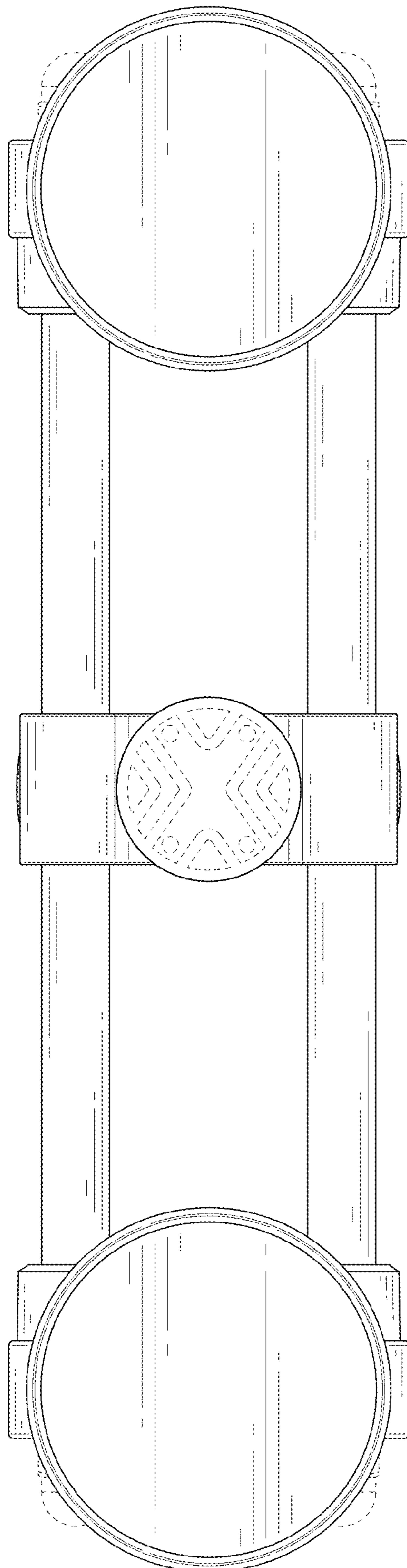


FIG. 8