



US00D901266S

(12) **United States Design Patent** (10) **Patent No.:** **US D901,266 S**
Seeuwen et al. (45) **Date of Patent:** **** Nov. 10, 2020**

(54) **BOTTLE OPENER**

(71) Applicants: **Daniel Seeuwen**, Newfoundland, PA (US); **Eric Seeuwen**, Honesdale, PA (US); **Steven Seeuwen**, Hawley, PA (US)

(72) Inventors: **Daniel Seeuwen**, Newfoundland, PA (US); **Eric Seeuwen**, Honesdale, PA (US); **Steven Seeuwen**, Hawley, PA (US)

(**) Term: **15 Years**

(21) Appl. No.: **29/697,014**

(22) Filed: **Jul. 3, 2019**

(51) **LOC (12) Cl.** **07-99**

(52) **U.S. Cl.**
USPC **D8/40**

(58) **Field of Classification Search**
USPC D8/18, 33-43, 88, 89
CPC B67B 7/00; B67B 7/02; B67B 7/12; B67B 7/14; B67B 7/16; B67B 7/162; B67B 7/18; B67B 7/20; B67B 7/40; B67B 7/44
See application file for complete search history.

(56) **References Cited**

U.S. PATENT DOCUMENTS

- 1,972,920 A * 9/1934 Deuse F25C 5/043 7/156
- D153,349 S * 4/1949 Gaiter D8/40
- D160,081 S * 9/1950 Gaiter D8/40
- D161,483 S * 1/1951 McFarland D8/40
- D408,237 S * 4/1999 Wysopal D3/211

- D414,090 S * 9/1999 Wysopal D3/211
- D439,816 S * 4/2001 Wysopal D8/38
- D458,098 S * 6/2002 Hastings D27/142
- D519,011 S * 4/2006 Lister D8/38
- D579,740 S * 11/2008 Moman D8/38
- D703,016 S * 4/2014 Crane D8/38
- D707,510 S * 6/2014 Bellaus D8/34
- D805,845 S * 12/2017 Hoffman D7/507
- 10,165,886 B2 * 1/2019 Little A47G 25/92

* cited by examiner

Primary Examiner — Elizabeth A. Albert
(74) *Attorney, Agent, or Firm* — Caesar Rivise, PC

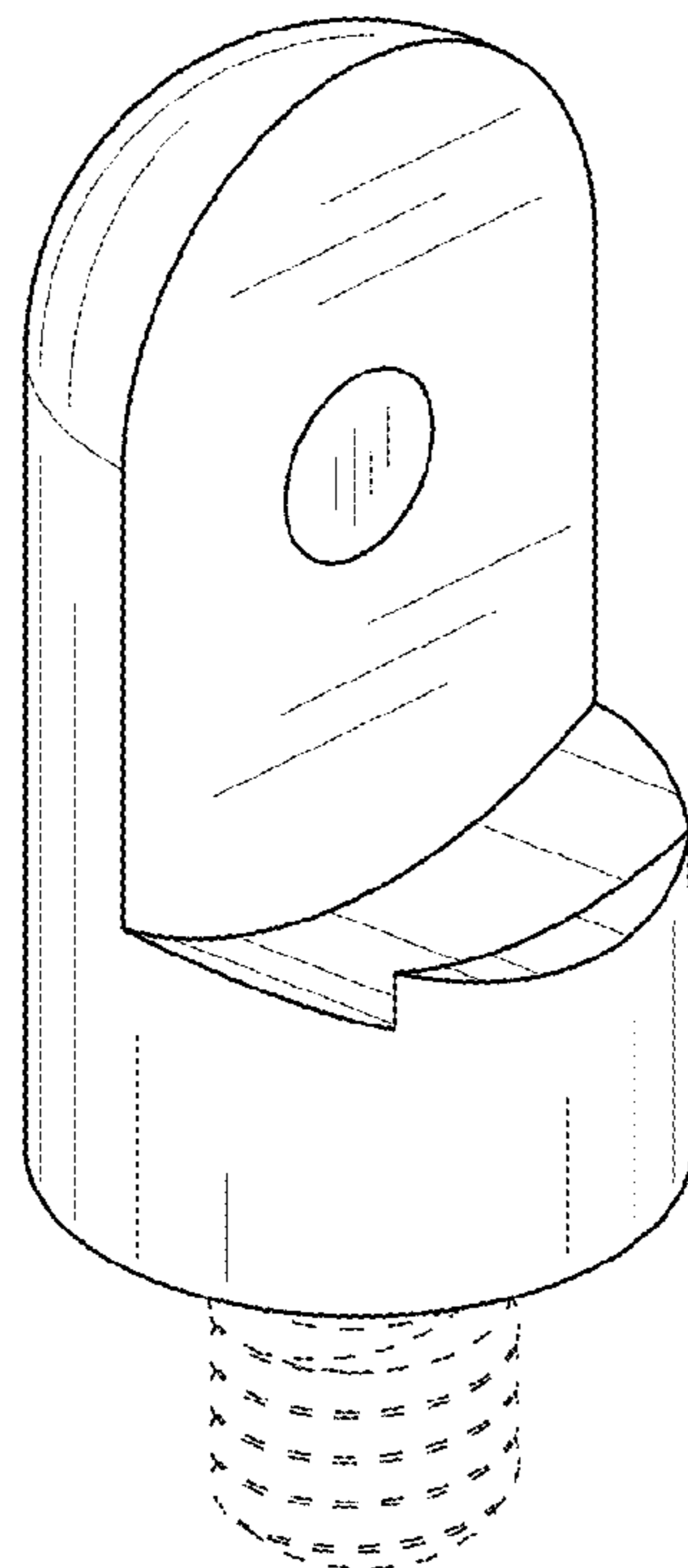
(57) **CLAIM**

The ornamental design for the bottle opener, as shown and described.

DESCRIPTION

FIG. 1 is a right-side top isometric view of a bottle opener showing my design;
 FIG. 2 is a left-side top isometric view of the bottle opener of FIG. 1;
 FIG. 3 is a front elevational view of the bottle opener of FIG. 1;
 FIG. 4 is a rear elevational view of the bottle opener of FIG. 1;
 FIG. 5 is a right side elevational view of the bottle opener of FIG. 1;
 FIG. 6 is a left side elevational view of the bottle opener of FIG. 1;
 FIG. 7 is a top view of the bottle opener of FIG. 1; and,
 FIG. 8 is a bottom view of the bottle opener of FIG. 1.
 The broken lines depict unclaimed subject matter that forms no part of the claimed design.

1 Claim, 4 Drawing Sheets



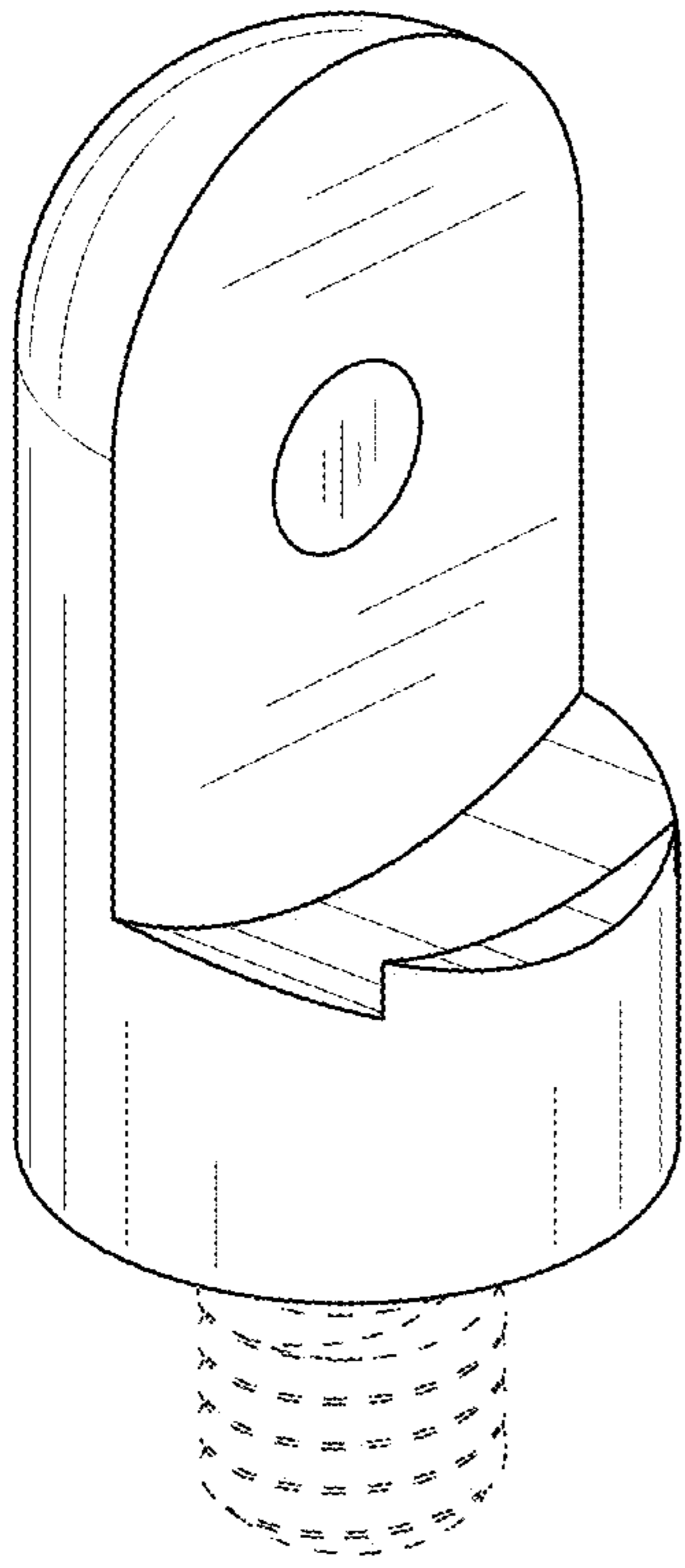


FIG. 1

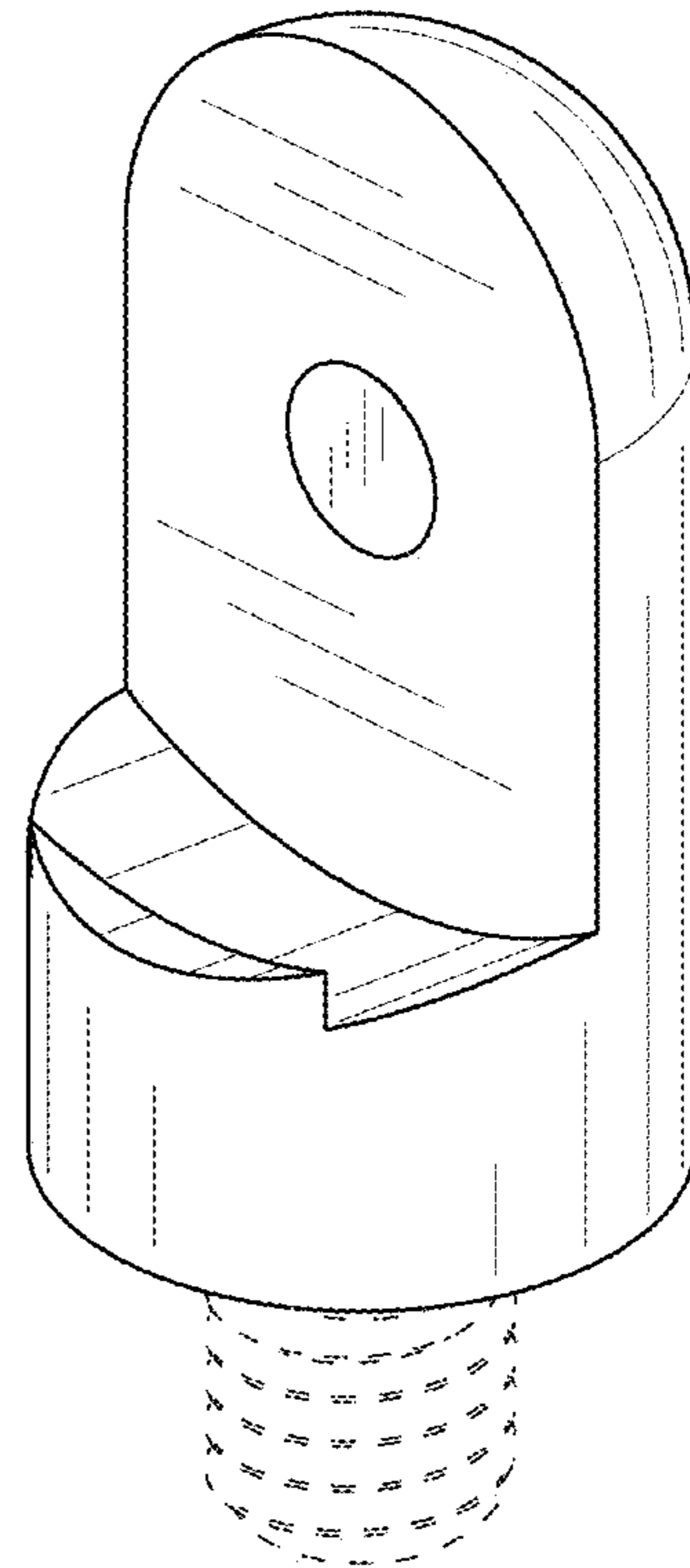


FIG. 2

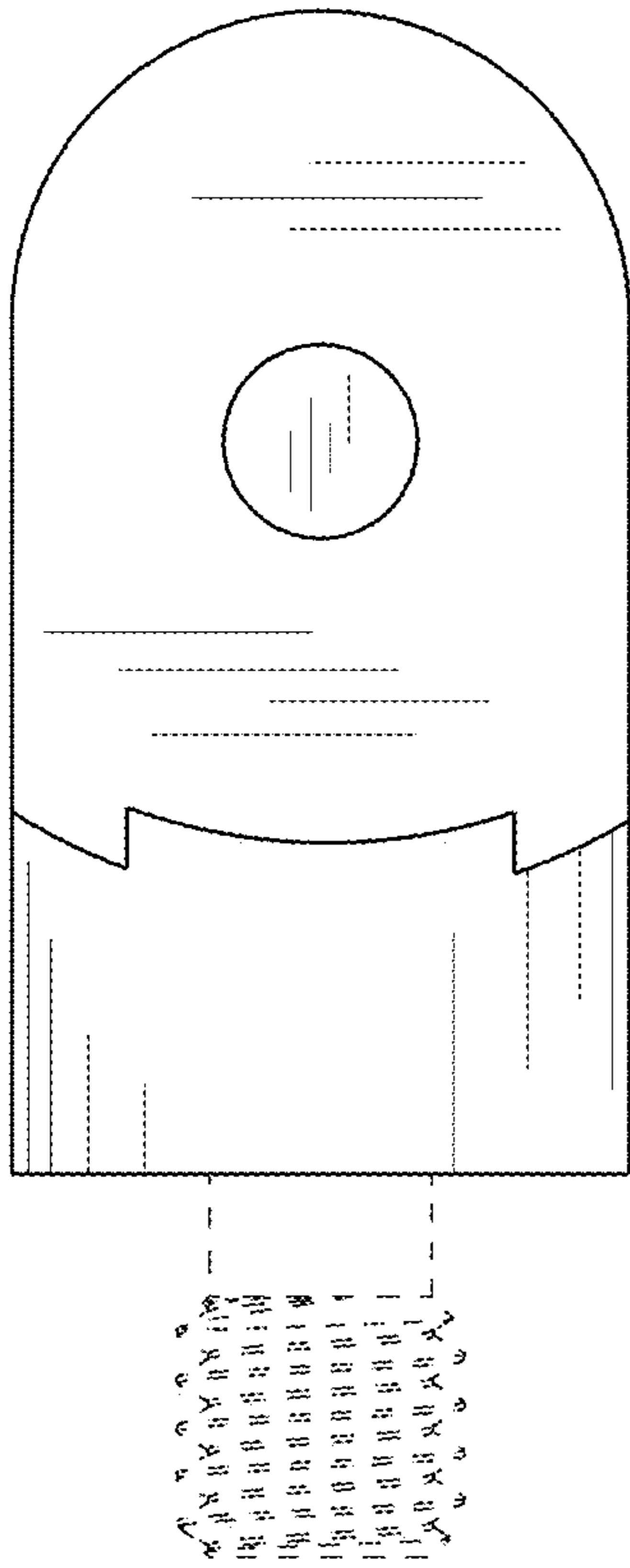


FIG. 3

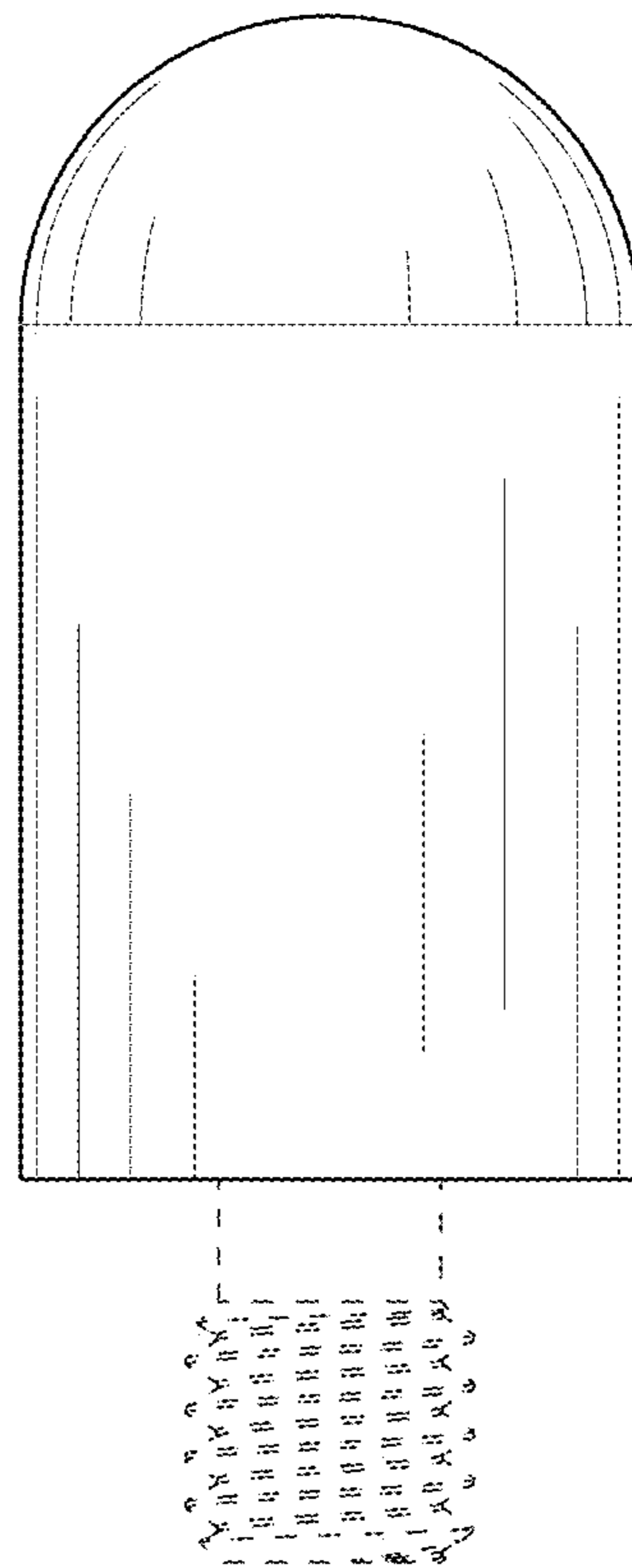


FIG. 4



FIG. 5

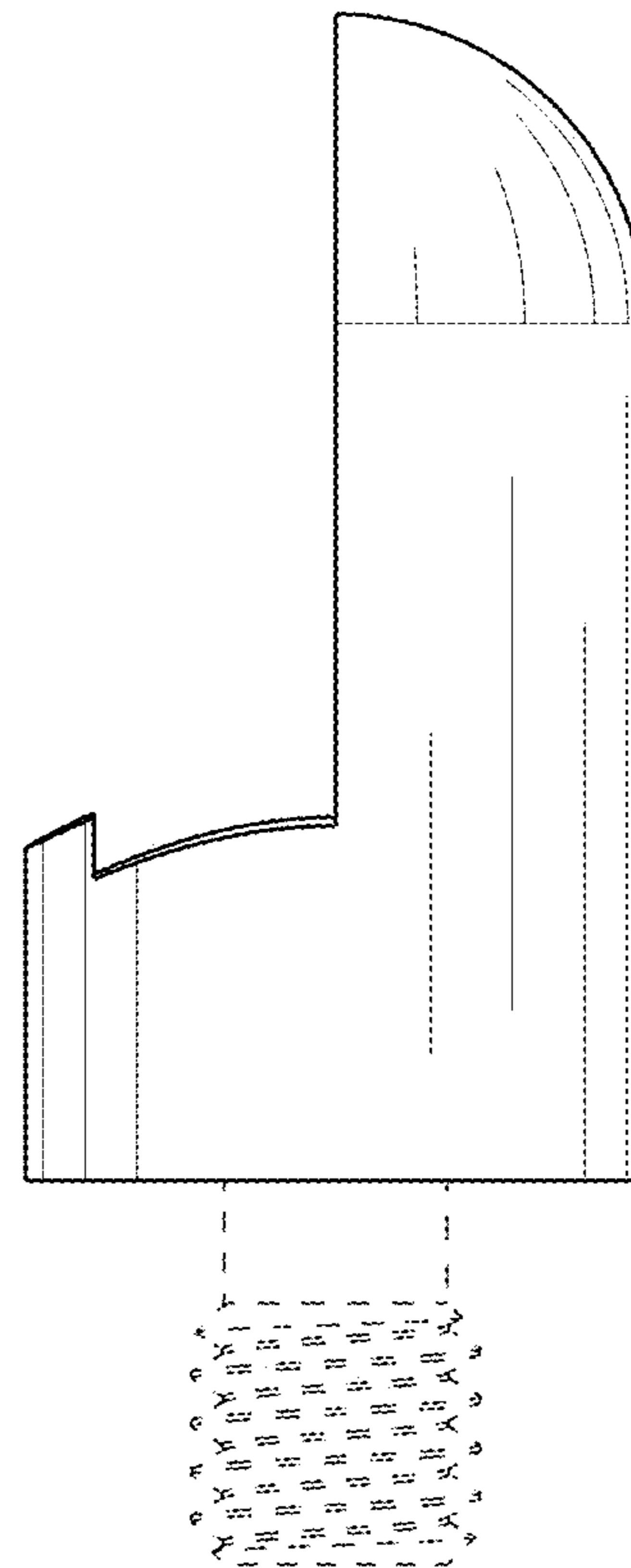


FIG. 6

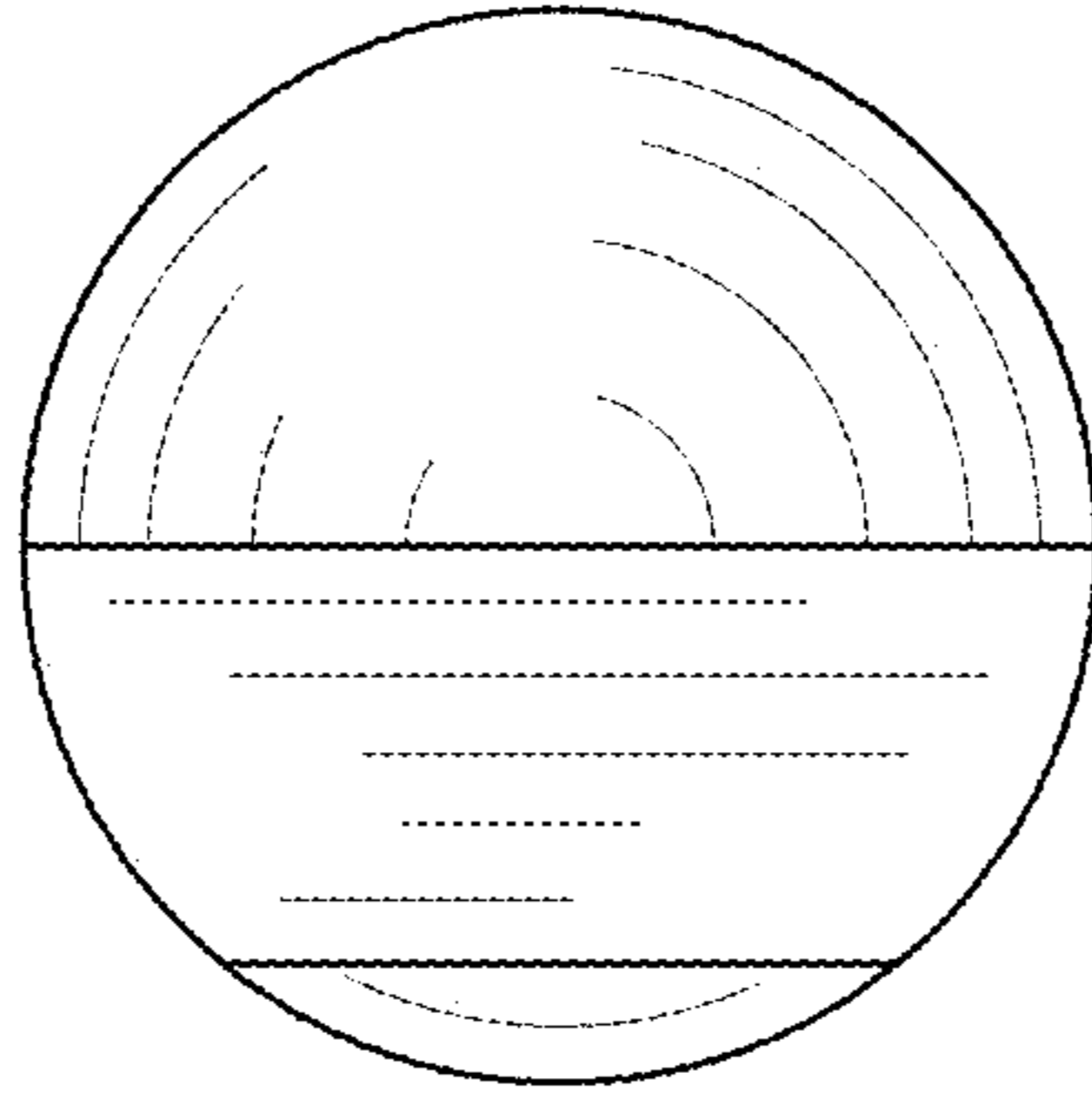


FIG. 7

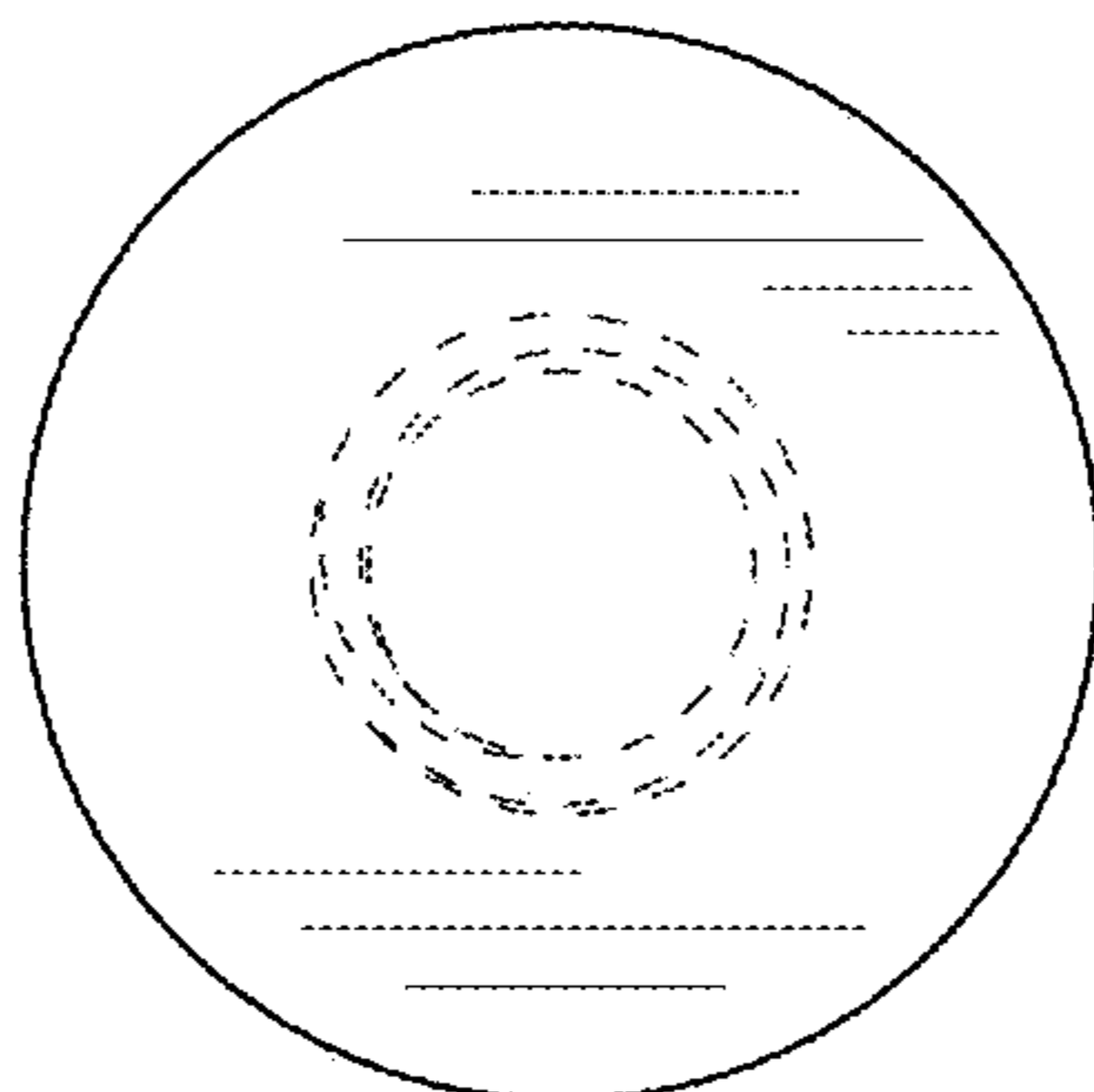


FIG. 8