



US00D901265S

(12) **United States Design Patent** (10) **Patent No.:** **US D901,265 S**
Seeuwen et al. (45) **Date of Patent:** **** Nov. 10, 2020**

(54) **BOTTLE OPENER**

(71) Applicants: **Daniel Seeuwen**, Newfoundland, PA (US); **Eric Seeuwen**, Honesdale, PA (US); **Steven Seeuwen**, Hawley, PA (US)

(72) Inventors: **Daniel Seeuwen**, Newfoundland, PA (US); **Eric Seeuwen**, Honesdale, PA (US); **Steven Seeuwen**, Hawley, PA (US)

(**) Term: **15 Years**

(21) Appl. No.: **29/696,999**

(22) Filed: **Jul. 3, 2019**

(51) **LOC (12) Cl.** **07-99**

(52) **U.S. Cl.**
USPC **D8/40**

(58) **Field of Classification Search**
USPC D8/18, 33-43, 88, 89
CPC B67B 7/00; B67B 7/02; B67B 7/12; B67B 7/14; B67B 7/16; B67B 7/162; B67B 7/18; B67B 7/20; B67B 7/40; B67B 7/44
See application file for complete search history.

(56) **References Cited**

U.S. PATENT DOCUMENTS

| | | | | | |
|-----------|-----|---------|--------------|-------|----------------------|
| 1,916,115 | A * | 6/1933 | Perkins | | B67B 7/16 81/3.15 |
| 1,972,920 | A * | 9/1934 | Deuse | | F25C 5/043 7/156 |
| 2,020,205 | A * | 11/1935 | Perkins | | B67B 7/16 215/226 |
| D140,699 | S * | 3/1945 | Rahn | | D27/163 |
| D269,937 | S * | 8/1983 | Stewart, Jr. | | D8/43 |
| D282,343 | S * | 1/1986 | Pinder | | D8/40 |
| 4,642,827 | A * | 2/1987 | Karuzas | | B67B 7/44 431/253 |
| D300,447 | S * | 3/1989 | Timleck | | D3/224 |

| | | | | | |
|-----------|------|---------|---------------|-------|-----------|
| D368,006 | S * | 3/1996 | Aldrich | | D8/14 |
| D388,660 | S * | 1/1998 | Grundl | | D7/507 |
| D389,640 | S * | 1/1998 | MacDonald | | D3/207 |
| D481,600 | S * | 11/2003 | Cohen | | D8/40 |
| D654,772 | S * | 2/2012 | Freeman | | D8/89 |
| D660,113 | S * | 5/2012 | Bigelow | | D8/38 |
| D703,016 | S * | 4/2014 | Crane | | D8/38 |
| D739,195 | S * | 9/2015 | Scharch | | D8/38 |
| D754,536 | S * | 4/2016 | Arriaga | | D9/436 |
| D769,686 | S * | 10/2016 | Meyer | | D8/38 |
| D795,665 | S * | 8/2017 | Henderson, IV | | D8/18 |
| 9,821,936 | B1 * | 11/2017 | Arriaga | | B67B 7/16 |
| D805,845 | S * | 12/2017 | Hoffman | | D7/507 |
| 9,850,116 | B2 * | 12/2017 | Crane | | B67B 7/16 |
| D819,129 | S * | 5/2018 | Zhao | | D19/123 |

(Continued)

Primary Examiner — Elizabeth A. Albert

(74) Attorney, Agent, or Firm — Caesar Rivise, PC

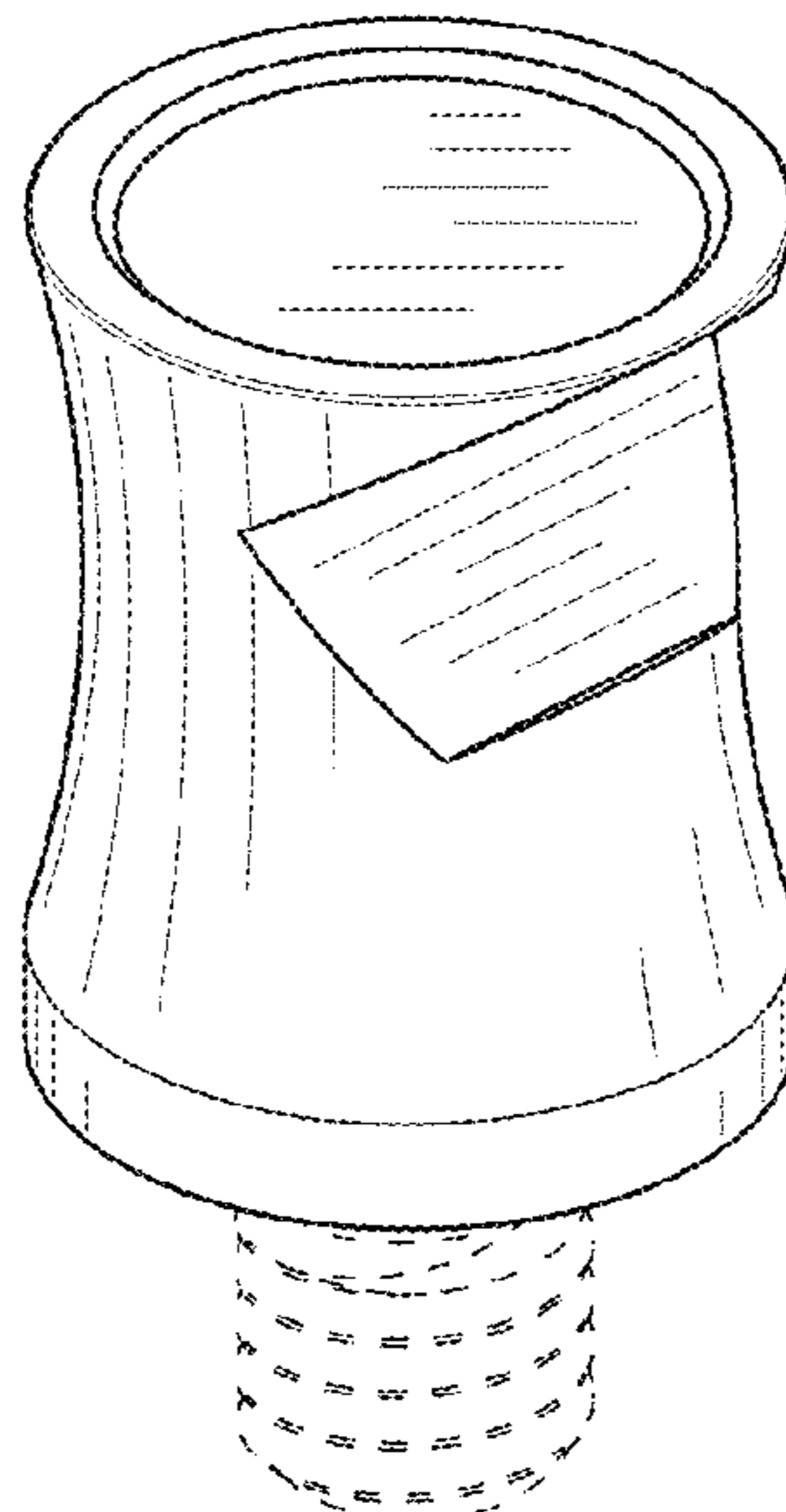
(57) **CLAIM**

The ornamental design for the bottle opener, as shown and described.

DESCRIPTION

FIG. 1 is a right-side top isometric view of a bottle opener showing my design;
FIG. 2 is a left-side top isometric view of the bottle opener of FIG. 1;
FIG. 3 is a front elevational view of the bottle opener of FIG. 1;
FIG. 4 is a rear elevational view of the bottle opener of FIG. 1;
FIG. 5 is a right side elevational view of the bottle opener of FIG. 1;
FIG. 6 is a left side elevational view of the bottle opener of FIG. 1;
FIG. 7 is a top view of the bottle opener of FIG. 1; and,
FIG. 8 is a bottom view of the bottle opener of FIG. 1.
The broken lines depict unclaimed subject matter that forms no part of the claimed design.

1 Claim, 4 Drawing Sheets



(56)

References Cited

U.S. PATENT DOCUMENTS

| | | | | |
|-------------------|--------|--------|-------|------------|
| 10,165,886 B2 * | 1/2019 | Little | | A47G 25/92 |
| D884,445 S * | 5/2020 | Hebert | | D8/38 |
| 2016/0023875 A1 * | 1/2016 | Lenig | | B67B 7/16 |
| | | | | 53/492 |

* cited by examiner

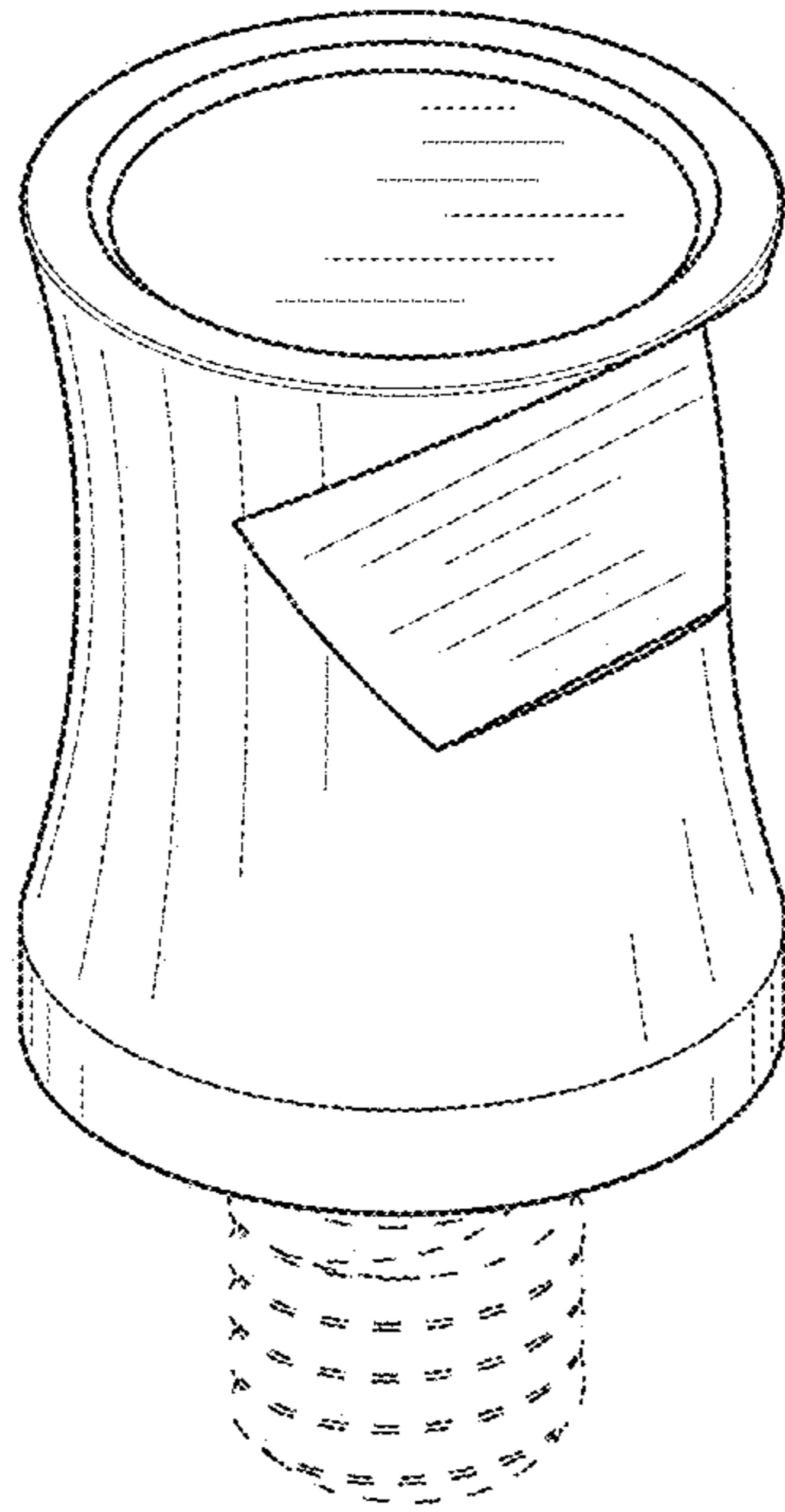


FIG. 1

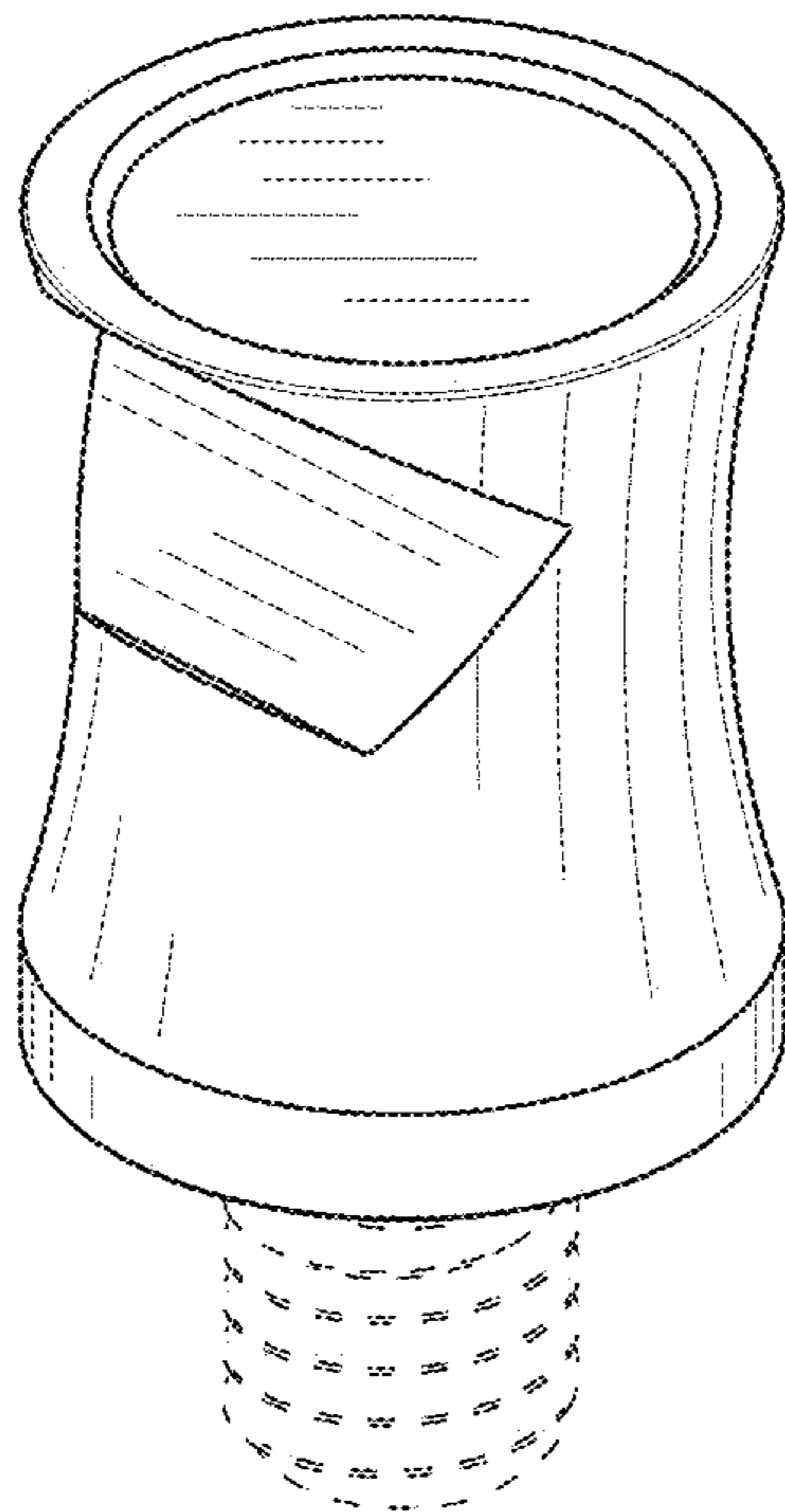


FIG. 2

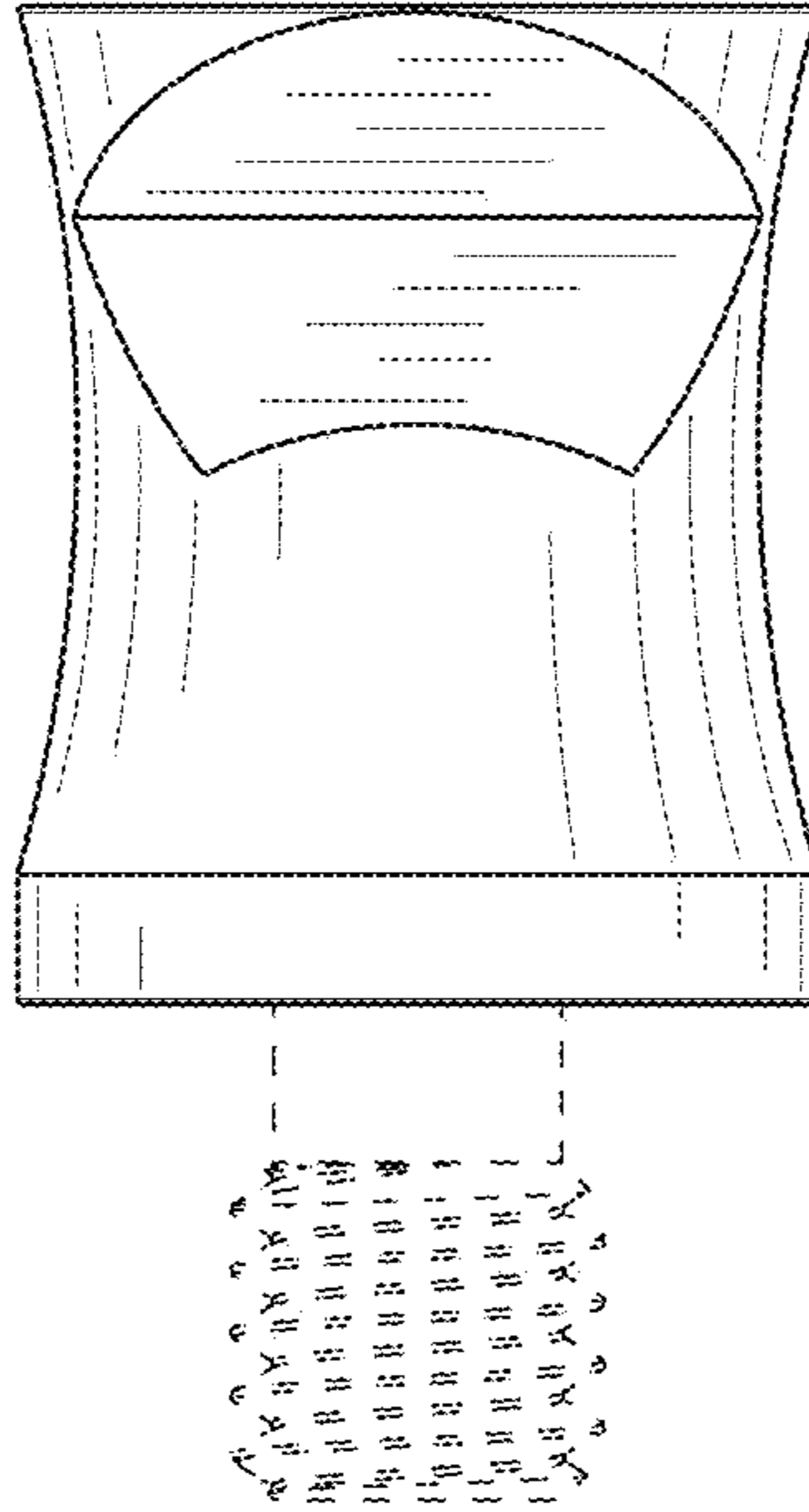


FIG. 3

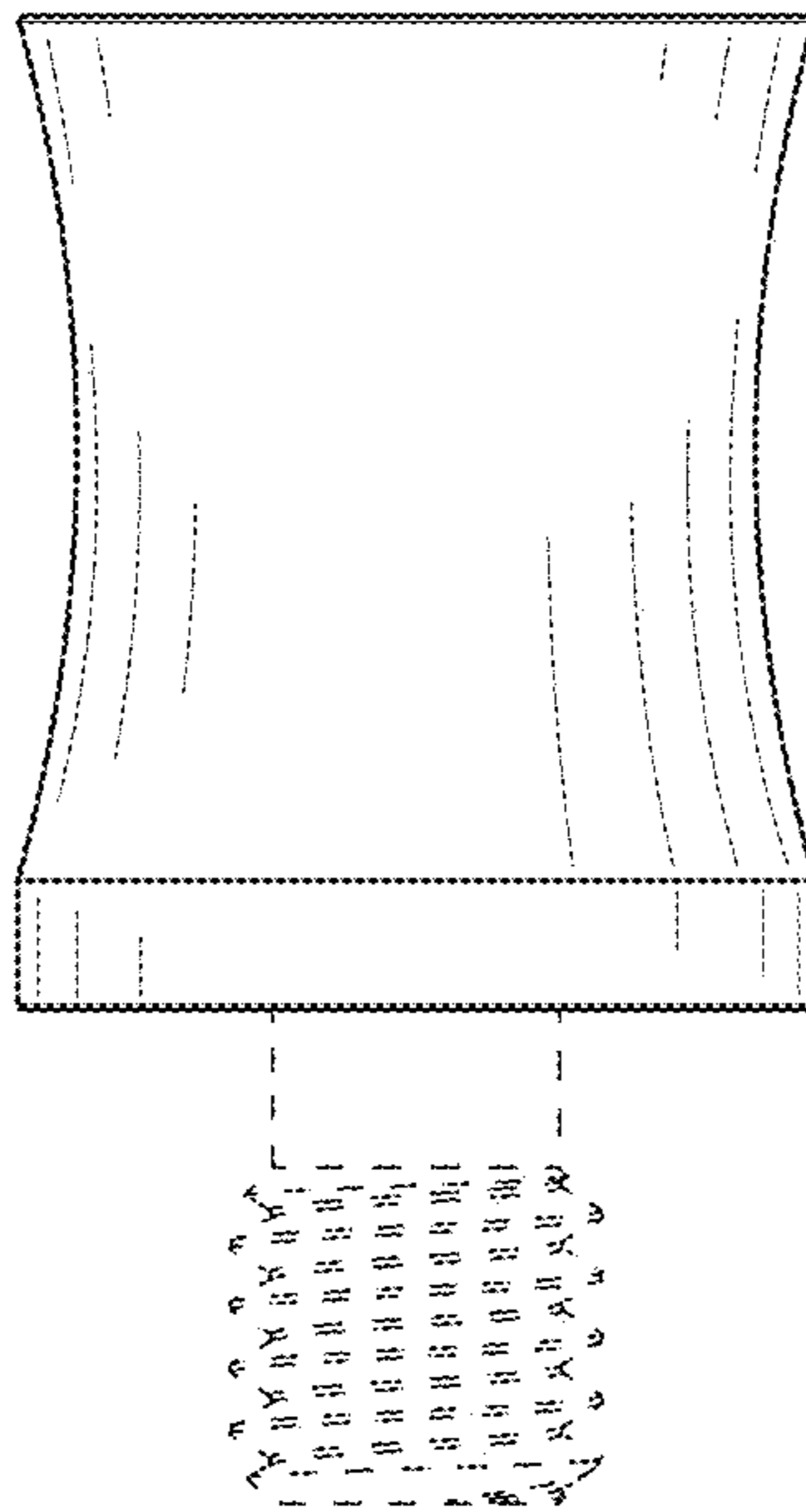


FIG. 4

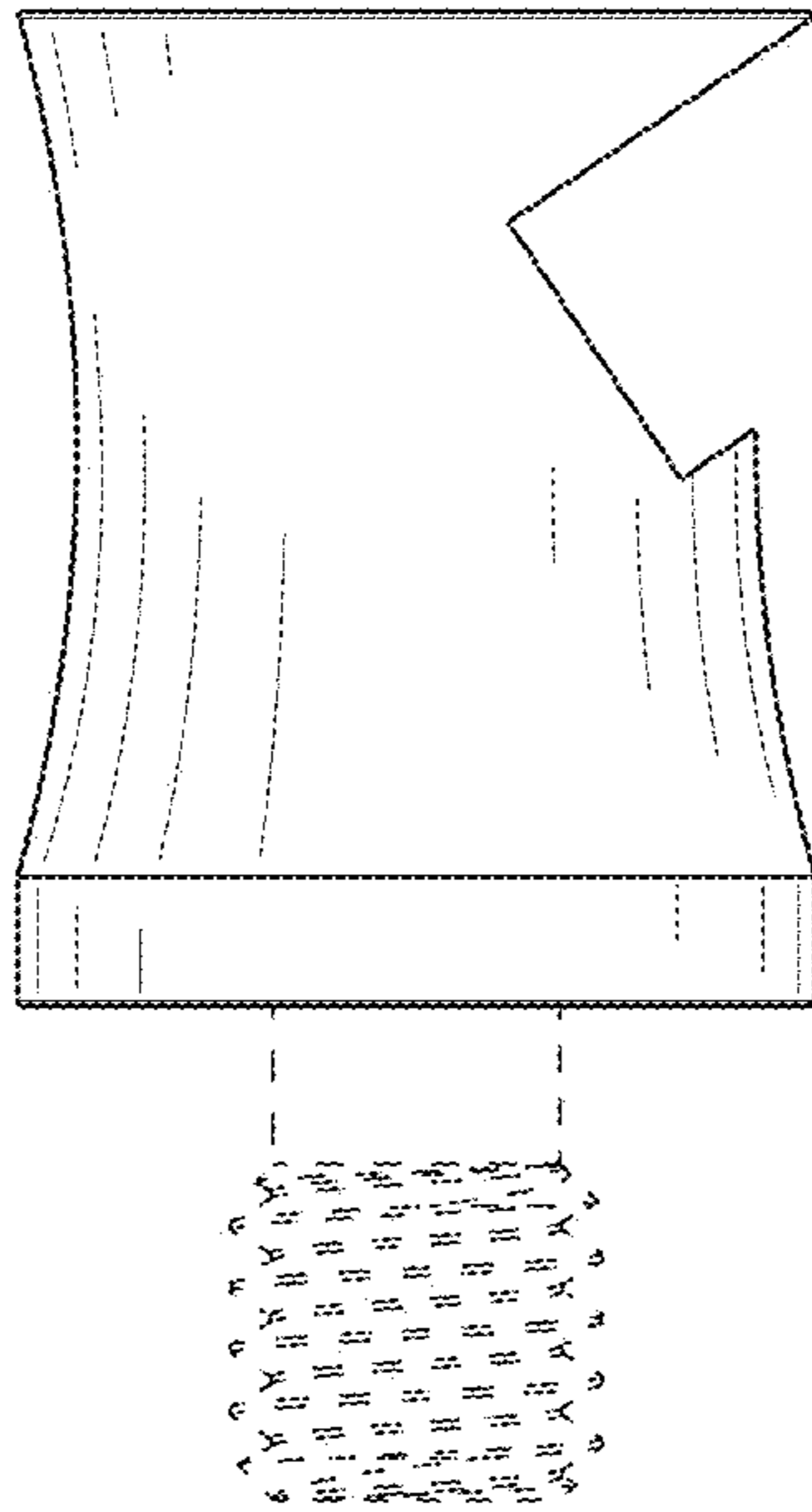


FIG. 5

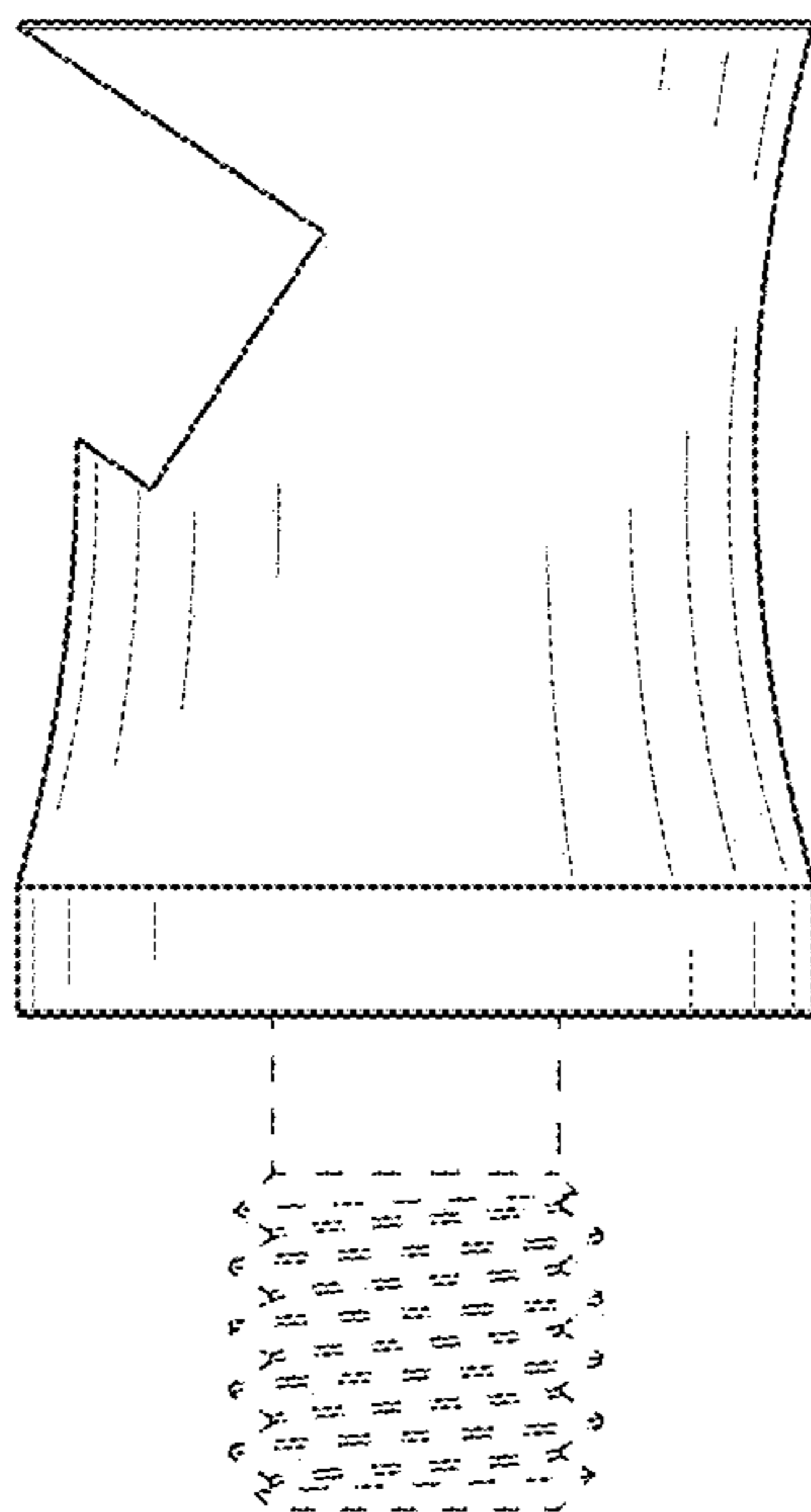


FIG. 6

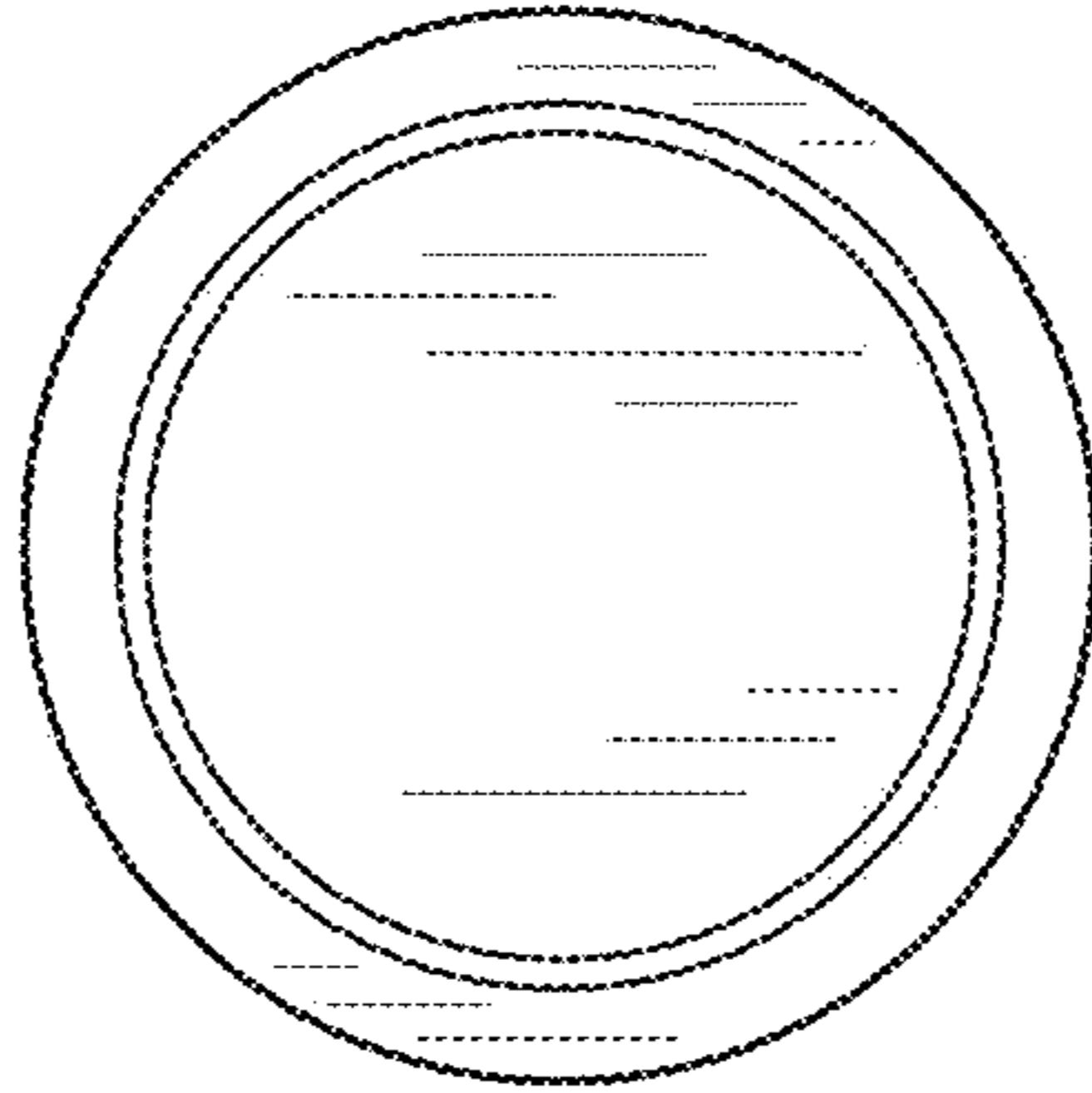


FIG. 7

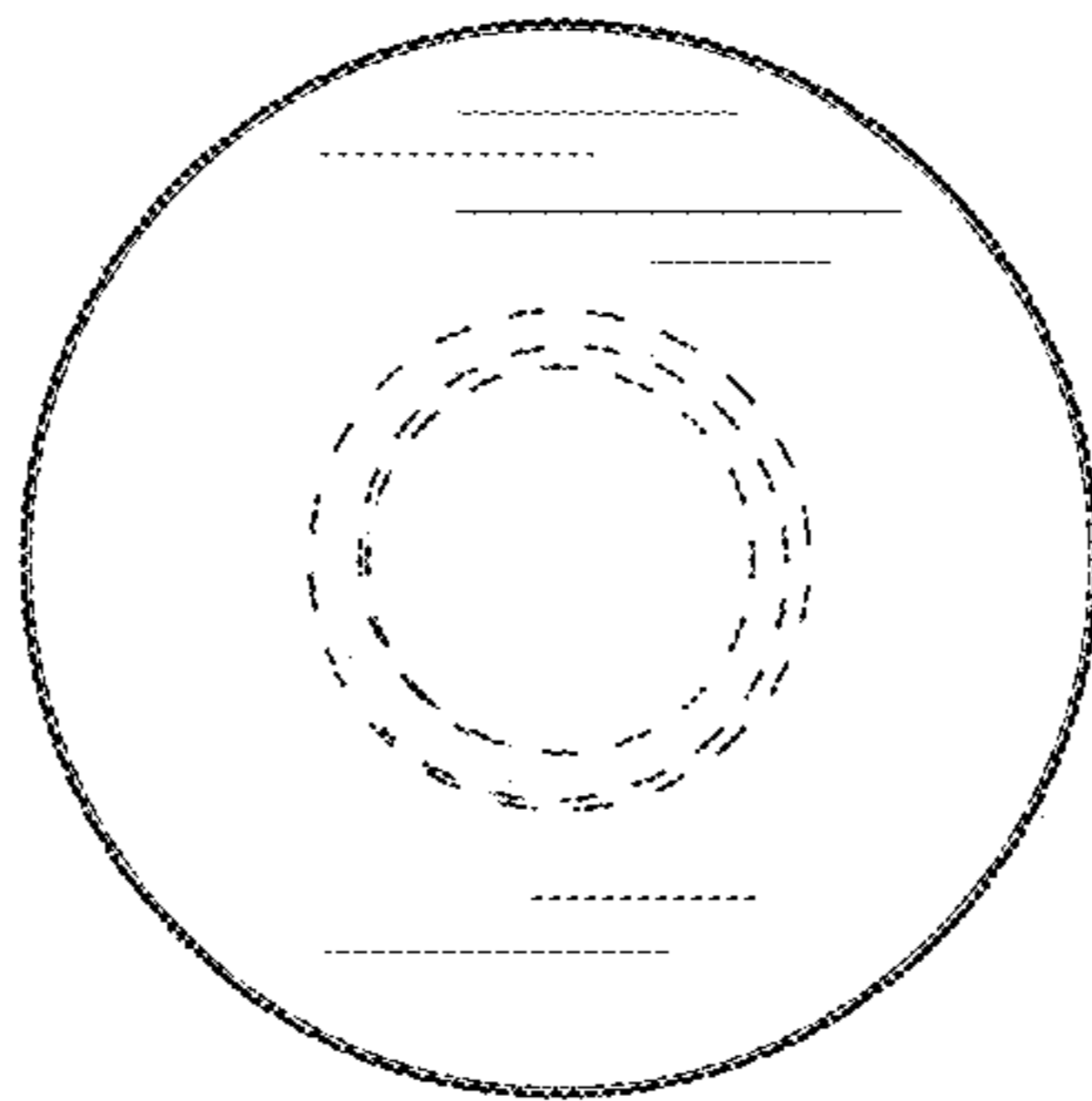


FIG. 8