



US00D901263S

(12) **United States Design Patent**
Citron

(10) **Patent No.:** **US D901,263 S**

(45) **Date of Patent:** **** Nov. 10, 2020**

(54) **GARDEN TOOL**

(71) Applicant: **Kenneth Citron**, Haverhill, MA (US)

(72) Inventor: **Kenneth Citron**, Haverhill, MA (US)

(**) Term: **15 Years**

(21) Appl. No.: **29/696,002**

(22) Filed: **Jun. 24, 2019**

(51) **LOC (12) Cl.** **08-01**

(52) **U.S. Cl.**
USPC **D8/10**

(58) **Field of Classification Search**
USPC D8/1, 10, 107
CPC A01B 1/04; A01B 1/02; A01B 1/12; A01B
1/18; A01B 1/026; E01H 5/02
See application file for complete search history.

(56) **References Cited**

U.S. PATENT DOCUMENTS

D198,533 S *	6/1964	Langlie et al.	D8/10
D326,212 S *	5/1992	Mingrino	D8/10
D584,582 S *	1/2009	Wong	D8/10
D595,550 S *	7/2009	Wong	D8/10
7,832,125 B1 *	11/2010	Palmby	A01C 5/02 37/302
D684,441 S *	6/2013	Baker	A01C 5/02 D8/10
D803,643 S *	11/2017	Smith	D8/10

D810,527 S *	2/2018	Baker	D8/10
D810,528 S *	2/2018	Baker	D8/11
D875,484 S *	2/2020	Workman	D8/10

OTHER PUBLICATIONS

Treasurenet.com, Thread: T-handle for trowel?, Sep. 2016,online forum post, retrieved Jul. 10, 2020 from <URL:http://www.treasurenet.com/forums/tool-shed/514304-t-handle-trowel.html> (Year: 2016).*

* cited by examiner

Primary Examiner — Sheryl Lane

Assistant Examiner — Calvin E Vansant

(74) *Attorney, Agent, or Firm* — Michael J. Foycik, Jr.

(57) **CLAIM**

The ornamental design for an garden tool, as shown and described.

DESCRIPTION

FIG. 1 is a top front perspective view of a garden tool, showing my new design;

FIG. 2 is a bottom/rear perspective view of the garden tool of FIG. 1;

FIG. 3 is a top plan view thereof;

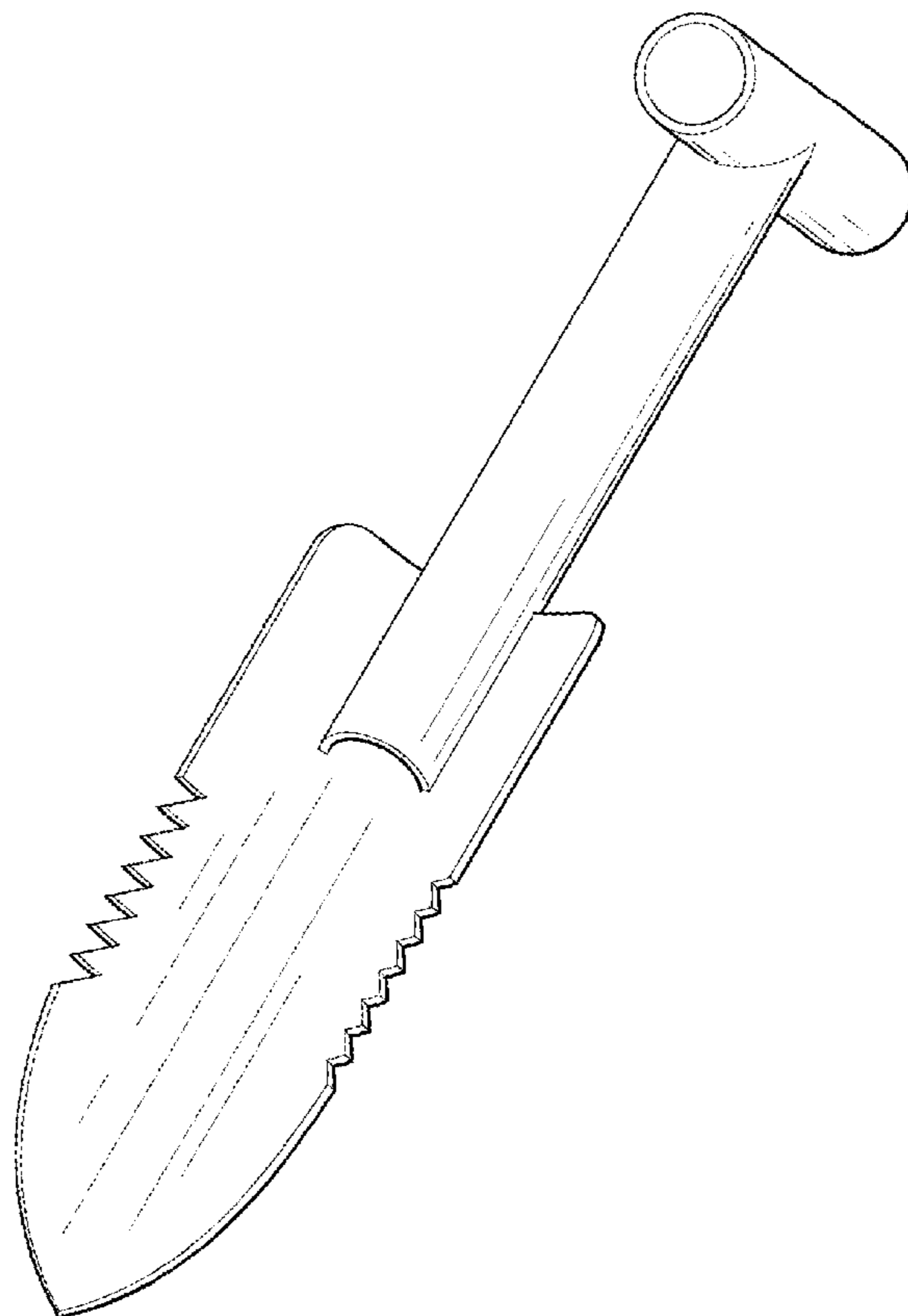
FIG. 4 is a bottom plan view thereof;

FIG. 5 is a front elevational view thereof;

FIG. 6 is a rear elevational view thereof; and,

FIG. 7 is a side elevational view thereof.

1 Claim, 5 Drawing Sheets



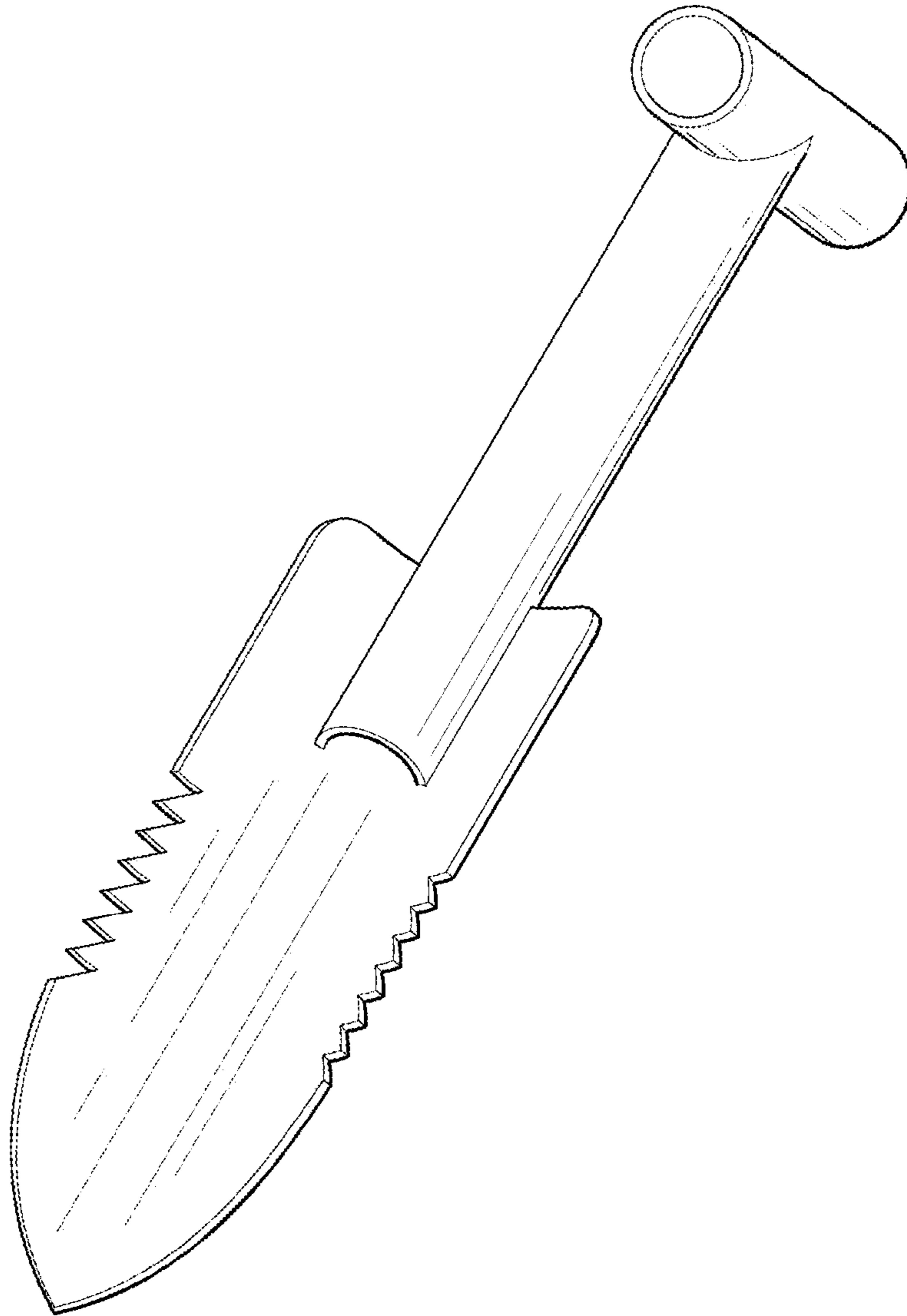


FIG. 1

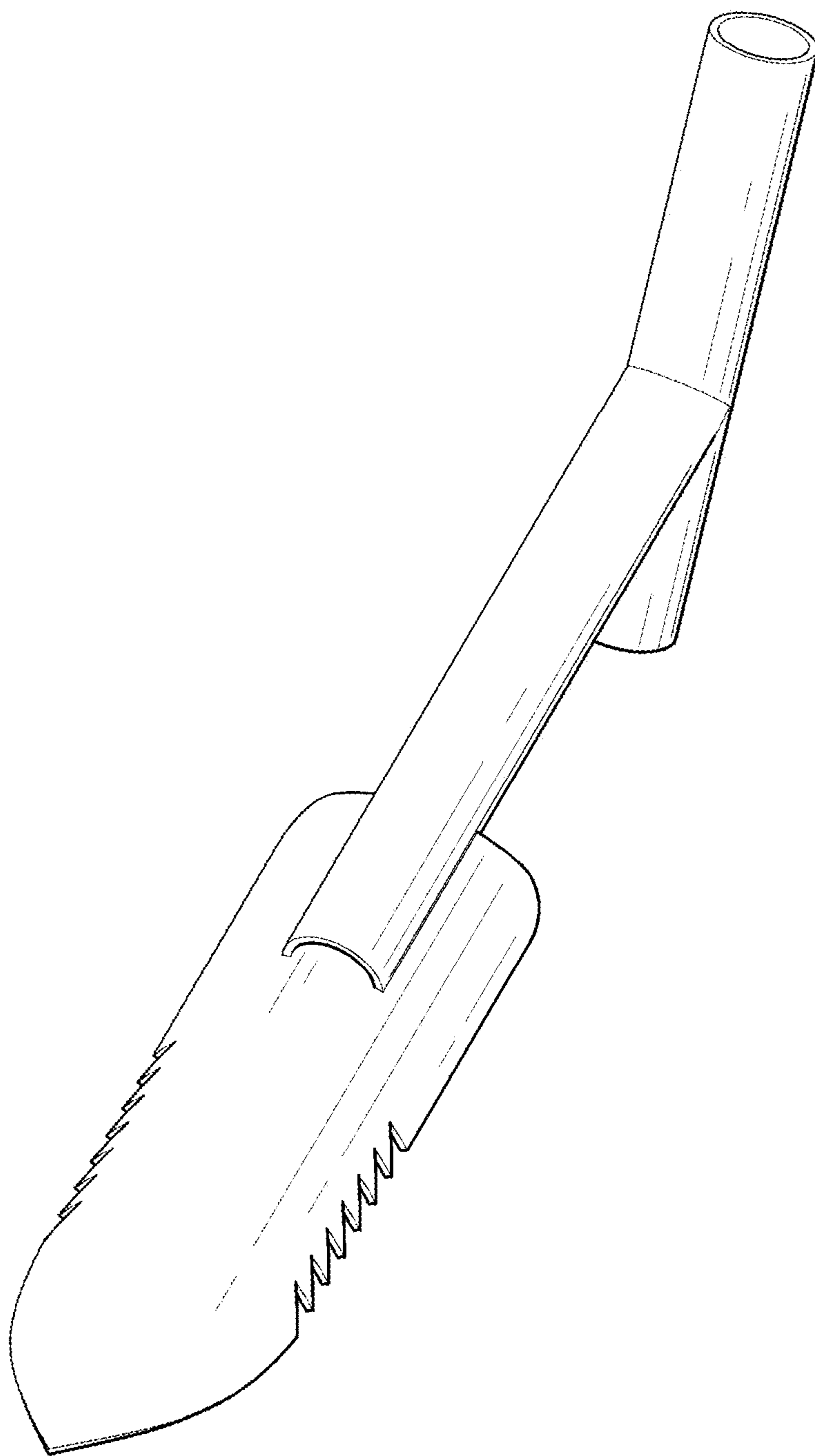


FIG. 2

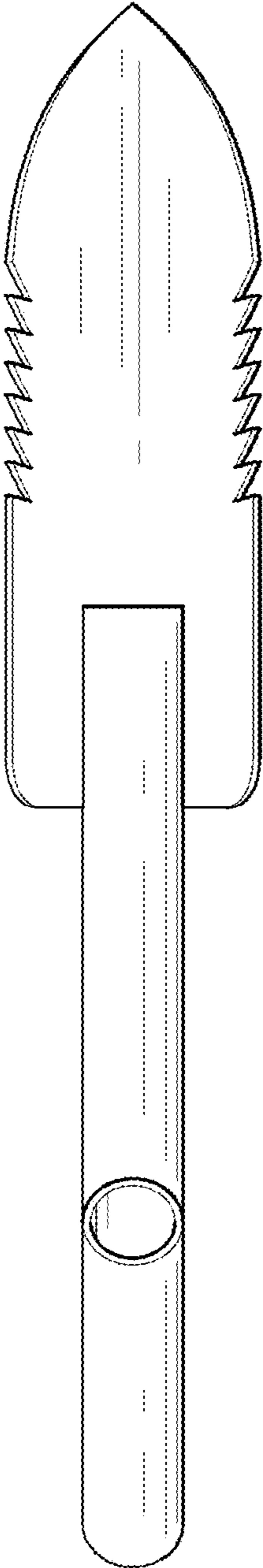


FIG. 3

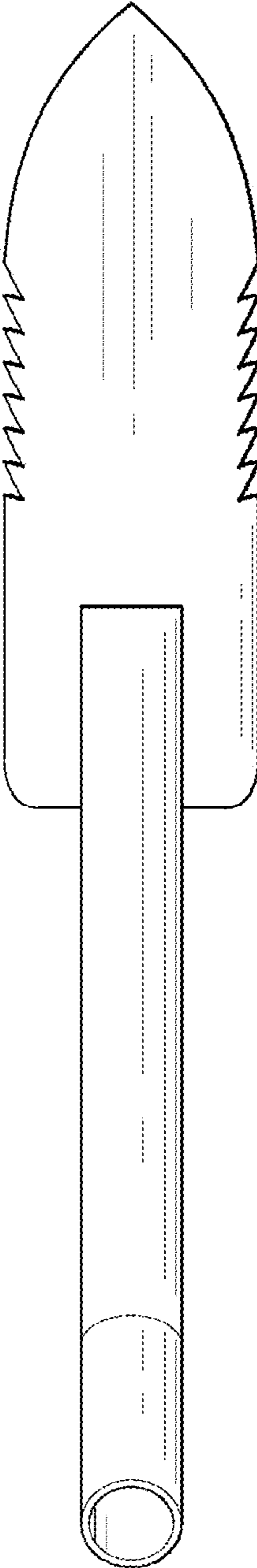


FIG. 4

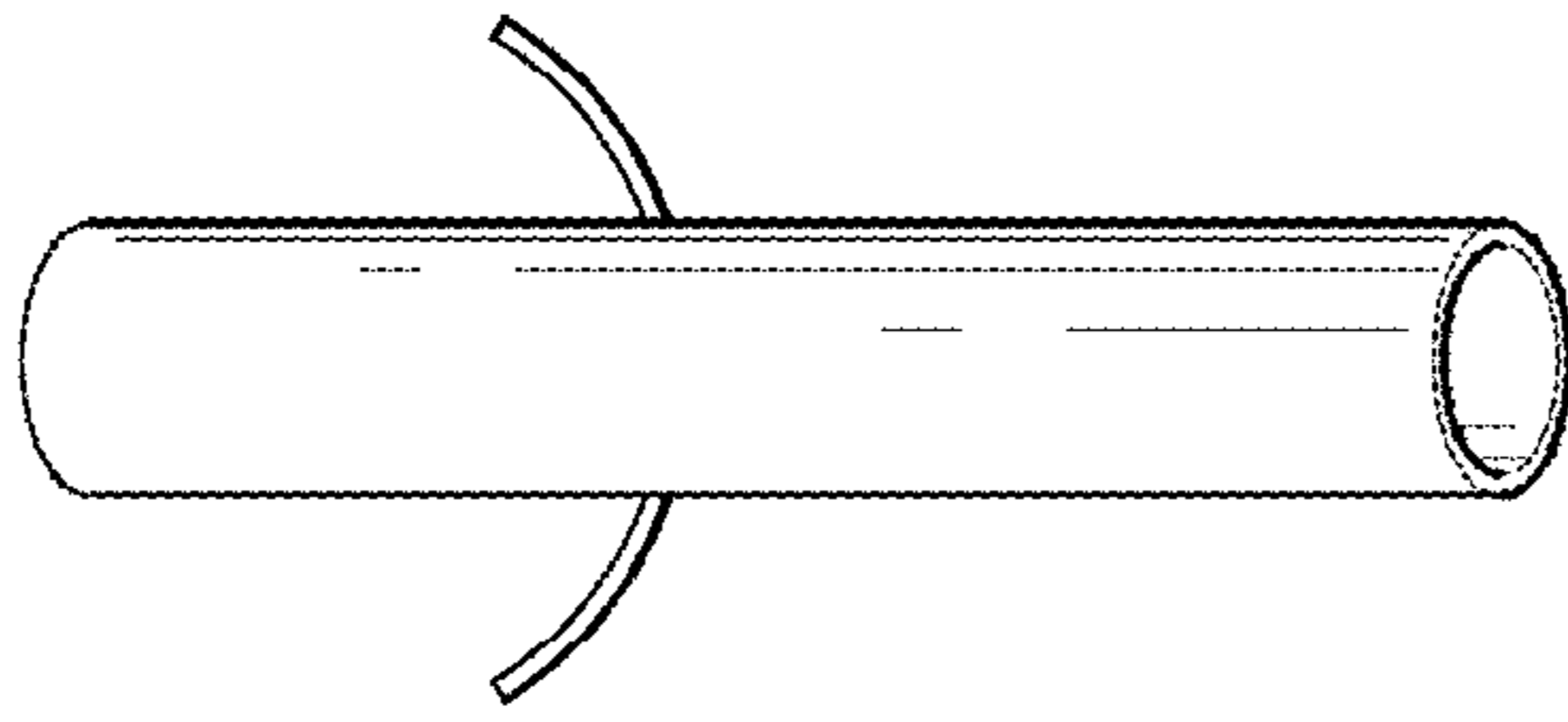


FIG. 6

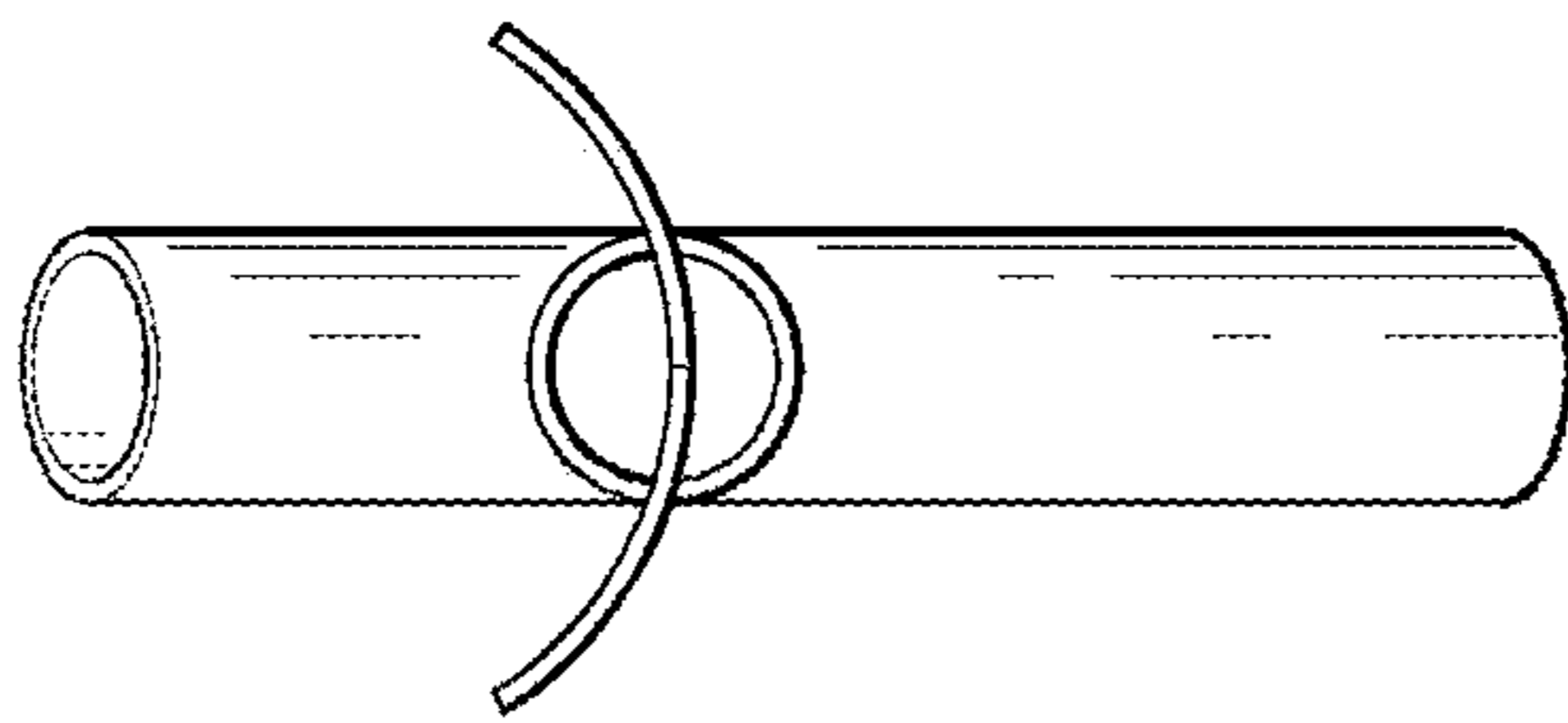


FIG. 5

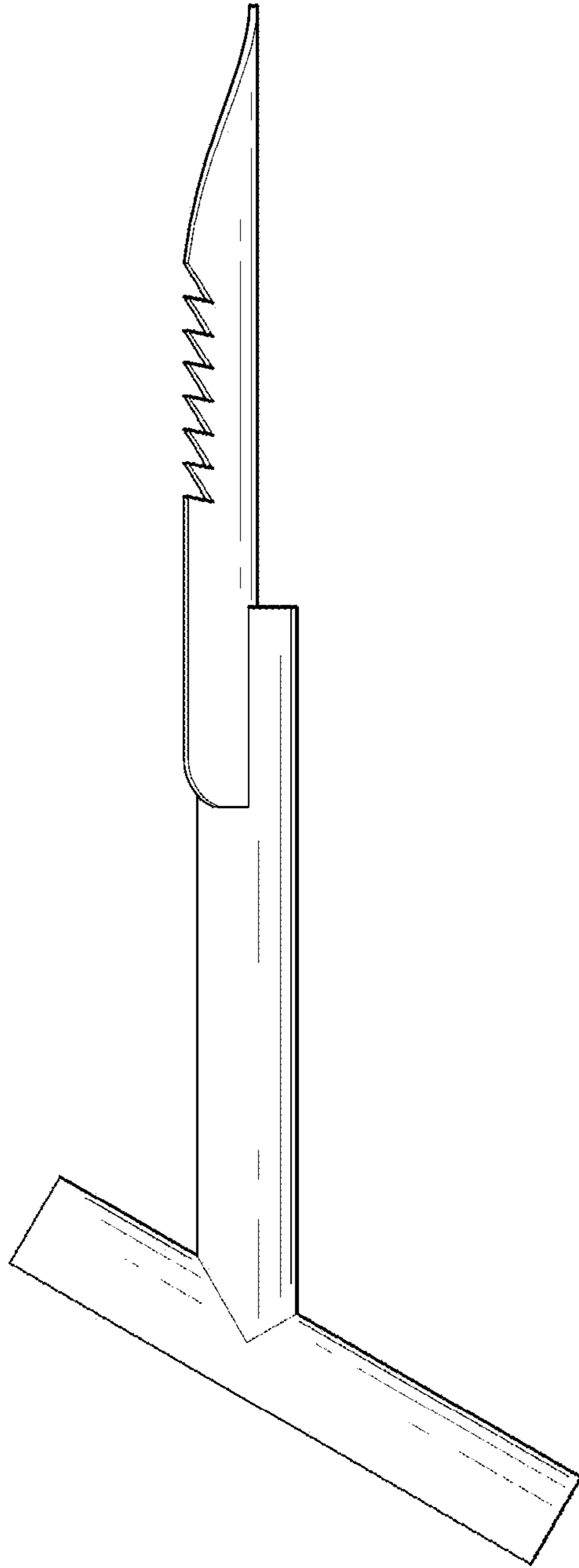


FIG. 7